



US00D801644S

(12) **United States Design Patent** (10) **Patent No.:** **US D801,644 S**
Zenoff (45) **Date of Patent:** **** Nov. 7, 2017**

(54) **CAP WITH RECTANGULAR-SHAPED ELECTRONIC DISPLAY SCREEN**

(71) Applicant: **Andrew Zenoff**, San Anselmo, CA (US)

(72) Inventor: **Andrew Zenoff**, San Anselmo, CA (US)

(73) Assignee: **Beam Authentic, LLC**, San Anselmo, CA (US)

(**) Term: **14 Years**

(21) Appl. No.: **29/499,861**

(22) Filed: **Aug. 19, 2014**

(51) **LOC (10) Cl.** **02-03**

(52) **U.S. Cl.**
USPC **D2/882**

(58) **Field of Classification Search**
USPC D2/865, 866, 868, 869, 870, 871, 872, D2/873, 875, 876, 878, 879, 882, 884, D2/886, 888, 891, 893, 895; D21/386; D6/300; D11/75, 86, 132, 140; D14/125, 126, 300, 341, 371, 374, 448, D14/450, 507; D26/39; D29/102, 103, D29/104, 122
CPC A42B 1/00; A42B 1/002; A42B 1/004; A42B 1/006; A42B 1/06; A42B 1/22; A42B 1/225; A42B 1/24; A42B 1/242; A42B 1/244; A42B 1/245; A42B 1/248; A42B 1/206; A42C 5/02; G02B 27/017; G02B 27/0172; G02B 2027/0174; G02B 23/125; G09F 21/02; G09F 2021/023

See application file for complete search history.

(56) **References Cited**

U.S. PATENT DOCUMENTS

65,871 A 6/1867 Browne
168,063 A 9/1875 Taylor

175,399 A 3/1876 Wheldon et al.
175,733 A 4/1876 Myers et al.
176,714 A 4/1876 Vanhon
260,332 A 6/1882 Simonson
740,330 A 9/1903 Luther
761,601 A 5/1904 Oscar
D39,680 S 12/1908 Henby
1,114,400 A 10/1914 Abraham
1,190,427 A 7/1916 Kromer, Jr.
1,196,823 A 9/1916 Tokutaro
1,215,311 A 2/1917 Miller
(Continued)

FOREIGN PATENT DOCUMENTS

CN 203327079 U 12/2013
WO WO-2012061438 A2 5/2012
WO WO-2014054211 A1 4/2014

OTHER PUBLICATIONS

U.S. Appl. No. 29/499,864, filed Aug. 19, 2014, Zenoff.

(Continued)

Primary Examiner — Karen E. Eldridge Powers
Assistant Examiner — Jasmine Mlinarcik
(74) *Attorney, Agent, or Firm* — Fenwick & West LLP

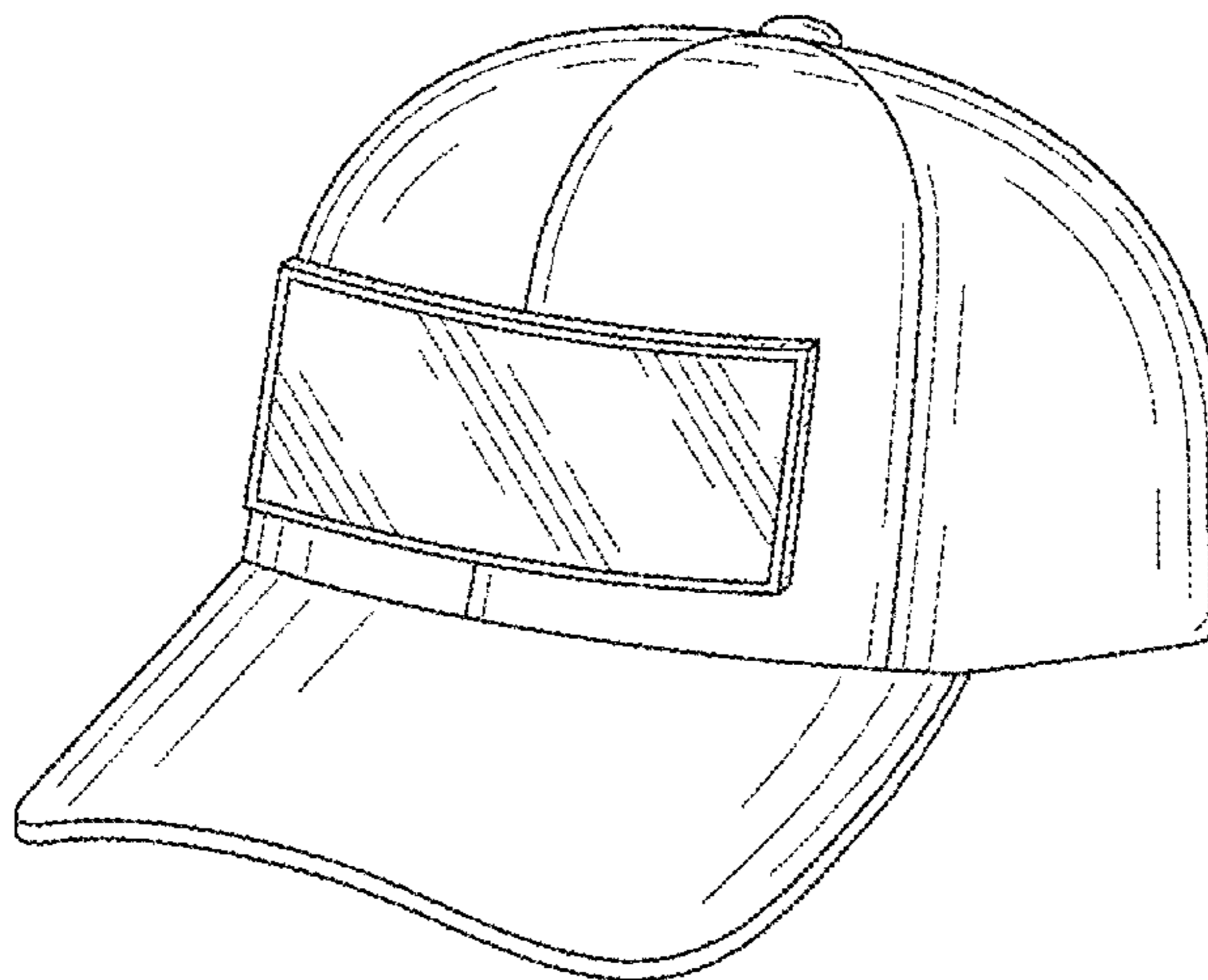
(57) **CLAIM**

The ornamental design for a cap with rectangular-shaped electronic display screen, as shown.

DESCRIPTION

FIG. 1 is a perspective view of a cap with rectangular-shaped electronic display screen;
FIG. 2 is a front elevation view of the cap with rectangular-shaped electronic display screen;
FIG. 3 is a side elevation view of the cap with rectangular-shaped electronic display screen; and,
FIG. 4 is a top plan view of the cap with rectangular-shaped electronic display screen as shown.

1 Claim, 2 Drawing Sheets



US D801,644 S

Page 2

(56)

References Cited

U.S. PATENT DOCUMENTS

1,222,528 A	4/1917	Cohen	5,462,471 A	10/1995	Power-Fardy	
1,378,977 A	5/1921	Parmley	5,465,426 A *	11/1995	Beaton	A42B 1/248 2/181
D58,303 S	7/1921	Kate	5,476,194 A	12/1995	Hippely et al.	
1,427,891 A	9/1922	Ziegler	5,477,629 A	12/1995	Gleason, Jr.	
D62,863 S	8/1923	Isaac	D367,158 S	2/1996	Baker	
1,481,975 A	1/1924	Bender	D370,354 S	6/1996	Deakyne	
D64,441 S	4/1924	Henry	5,548,847 A	8/1996	Spicijaric	
1,502,160 A	7/1924	Reinthal	5,621,914 A	4/1997	Ramone et al.	
D66,331 S	12/1924	Pegg	5,632,044 A	5/1997	Sloot	
1,560,073 A	11/1925	Bontempi et al.	5,638,202 A	6/1997	Rofe	
1,566,663 A	12/1925	Finkelstein	D383,892 S	9/1997	Virzi	
1,582,812 A	4/1926	Avin	D389,754 S	1/1998	Skubala	
1,586,242 A	5/1926	Duthie	D391,741 S	3/1998	Baker	
1,606,798 A	11/1926	Karger	D396,546 S	8/1998	Marrs	
1,616,475 A	2/1927	Tracey	D396,938 S	8/1998	Bugatti	
D73,128 S	7/1927	Harris	D397,239 S	8/1998	Marrs	
D79,398 S	9/1929	Edward	5,794,267 A	8/1998	Wallace	
1,782,414 A	11/1930	Duer	D397,838 S	9/1998	Waggoner	
1,784,970 A	12/1930	Melton	5,823,328 A	10/1998	Fomby	
D95,170 S	4/1935	Baumgard	D401,086 S	11/1998	Hellwig	
2,094,104 A	9/1937	Lee et al.	D401,738 S	12/1998	Scerbo	
D115,046 S	5/1939	Marks	D403,491 S *	1/1999	Wyatt	D2/865
2,226,133 A	12/1940	Lee, Jr.	D405,239 S *	2/1999	Kostinko	D2/882
2,252,207 A	8/1941	Rodgers	D406,687 S	3/1999	Thorpe	
D130,393 S	11/1941	Paul et al.	D407,190 S	3/1999	Day	
2,298,381 A	10/1942	Horwitz	5,943,698 A	8/1999	Blanks	
2,387,482 A	10/1945	Vineberg	5,945,179 A	8/1999	Gautreneau	
2,440,407 A	4/1948	Kuenstner	5,960,476 A	10/1999	Danzy	
2,445,922 A	7/1948	Ostolaza	D417,063 S	11/1999	Henning	
D162,354 S	3/1951	Smith	D418,279 S *	1/2000	Day	D2/882
2,604,807 A	7/1952	Woodburn	6,012,172 A	1/2000	Steffy	
2,682,667 A	7/1954	Michelstetter	6,022,599 A	2/2000	Rietveld et al.	
2,776,435 A	1/1957	Trimpert	D424,282 S *	5/2000	Crumpton	D2/876
2,839,860 A	6/1958	Fry	D427,751 S	7/2000	Richlin	
D193,829 S	10/1962	Van-Den-Berg	6,154,992 A	12/2000	Lee	
3,346,153 A	10/1967	Galasso	D436,991 S	1/2001	Morgante	
3,556,115 A	1/1971	Benson	D438,374 S	3/2001	Hayman	
D221,719 S	8/1971	Hoskins	D441,191 S	5/2001	Vazquez	
D231,356 S	4/1974	Kurz	D444,618 S *	7/2001	Wilson	D2/882
3,895,797 A *	7/1975	Moore	D447,318 S	9/2001	Gath	
		A42B 1/24 128/DIG. 15	6,308,445 B1	10/2001	Porraro	
3,959,826 A	6/1976	Hakanson	D452,767 S *	1/2002	Balloni	D2/882
D251,336 S	3/1979	Getgey	D453,610 S	2/2002	Lee	
D255,397 S	6/1980	Button	6,370,696 B1	4/2002	Kronenberger	
D263,092 S	2/1982	Fay	D459,059 S	6/2002	Park	
4,529,278 A	7/1985	Nugent	D459,094 S	6/2002	Stone et al.	
4,535,478 A	8/1985	Zufle	6,408,443 B1	6/2002	Park	
4,611,355 A	9/1986	Galanto et al.	D460,604 S *	7/2002	Sullivan, Jr.	D2/882
4,636,047 A	1/1987	Green	6,470,499 B1	10/2002	Joiner	
4,671,003 A	6/1987	Vitol	D470,450 S	2/2003	Olzak	
D292,044 S	9/1987	Billiet	D472,695 S	4/2003	Lee	
4,710,981 A	12/1987	Sanchez	D473,039 S	4/2003	Erspamer	
4,827,384 A	5/1989	Von Schlemmer	6,588,021 B2	7/2003	Kronenberger	
4,834,688 A	5/1989	Jones	D478,710 S	8/2003	Yan	
4,873,726 A	10/1989	Tapia	D482,185 S	11/2003	Park	
4,924,613 A	5/1990	Levin	6,643,847 B1	11/2003	Dornak	
5,054,127 A	10/1991	Zevchak	D483,173 S	12/2003	Harris et al.	
5,070,545 A	12/1991	Tapia	D483,928 S	12/2003	Mansell et al.	
5,099,594 A	3/1992	Reas et al.	6,672,748 B2	1/2004	Baldwin	
5,102,129 A	4/1992	Roberts	D487,329 S	3/2004	Prinz	
5,131,177 A	7/1992	Sy, Jr.	6,751,805 B1	6/2004	Austion	
5,167,559 A	12/1992	Power-Fardy	D494,745 S	8/2004	Kronenberger	
D333,030 S	2/1993	Wilkes	D496,146 S	9/2004	Appleberry	
5,253,368 A	10/1993	Blake	D496,775 S	10/2004	Tanner	
D341,712 S	11/1993	Fulcher	D497,648 S	10/2004	Carlson	
5,305,538 A	4/1994	Kanzelberger	6,810,533 B1	11/2004	Nahabedian et al.	
D347,102 S	5/1994	Strasner	6,820,281 B2	11/2004	Mariland et al.	
D350,221 S	9/1994	Van Doren	D502,589 S	3/2005	Lee	
5,359,733 A *	11/1994	Brannon	D509,947 S	9/2005	Fortune	
		A42B 1/248 2/195.1	6,948,189 B2	9/2005	Early	
5,437,062 A *	8/1995	Douglas	D517,283 S	3/2006	Shin et al.	
		A42B 1/064 2/10	D522,559 S	6/2006	Naito et al.	
5,452,479 A *	9/1995	Mostert	D523,612 S *	6/2006	Steger	D2/882
		A42B 1/248 2/195.1	D539,012 S	3/2007	Evans	
5,454,120 A	10/1995	Rowlands	D543,014 S	5/2007	Sharpe et al.	
			D543,338 S *	5/2007	Park	D2/882
			7,219,374 B2	5/2007	Cho	
			D548,657 S	8/2007	Eskandry	

(56)

References Cited

U.S. PATENT DOCUMENTS

D558,427 S	1/2008	Solin		8,869,312 B2	10/2014	Tuohy et al.	
D558,431 S	1/2008	Pritchett		D716,528 S	11/2014	Badish	
D558,955 S *	1/2008	Taylor	D2/872	D717,019 S	11/2014	Van	
7,331,064 B1	2/2008	Quintal		D718,731 S *	12/2014	Lee	D14/126
7,424,751 B1	9/2008	Miller		8,898,820 B2	12/2014	Sokolowski et al.	
D577,879 S	10/2008	Jones		8,905,560 B1	12/2014	Zadro	
D580,184 S	11/2008	Svendson et al.		D721,874 S	2/2015	Robbins et al.	
7,490,364 B2 *	2/2009	Kim	A42B 1/248 2/209.13	8,950,012 B2	2/2015	Ilges et al.	
D600,879 S	9/2009	Accardi		D727,150 S	4/2015	Leitch et al.	
D603,144 S *	11/2009	South	D2/882	D729,650 S	5/2015	Phillips et al.	
D603,585 S *	11/2009	Capriola	D2/866	D730,563 S	5/2015	Renshaw et al.	
7,621,000 B1	11/2009	Fulton		D733,130 S	6/2015	Kim et al.	
D606,284 S	12/2009	Caten et al.		D734,329 S	7/2015	Lee	
D607,627 S	1/2010	Kowalczyk		D736,495 S	8/2015	Bednarz	
D608,531 S	1/2010	Kronenberger		D736,768 S	8/2015	Kuwabara et al.	
D613,037 S	4/2010	Iamartino et al.		D736,993 S	8/2015	Wang et al.	
D617,636 S	6/2010	Vanhoutte		D738,071 S	9/2015	Kamhi et al.	
D619,336 S	7/2010	Eyl		D739,403 S	9/2015	David et al.	
D619,789 S	7/2010	Barany		9,161,584 B1	10/2015	Garrett, Jr.	
D621,590 S *	8/2010	Martin	D2/879	D743,149 S	11/2015	Brandelli	
D624,286 S	9/2010	Hall		D745,251 S	12/2015	Bednarz	
D625,082 S *	10/2010	Jones	D2/882	D745,252 S	12/2015	Bednarz	
D629,183 S	12/2010	Adams et al.		D746,283 S	12/2015	Cha et al.	
D630,822 S *	1/2011	Thomas	D2/882	D748,091 S	1/2016	Akana et al.	
D635,336 S *	4/2011	Alger	D2/866	D748,379 S	2/2016	Fitzpatrick et al.	
D635,743 S	4/2011	Johnson		D751,794 S	3/2016	Zenoff	
D635,976 S *	4/2011	Lee	D14/374	D751,795 S	3/2016	Zenoff	
D636,562 S *	4/2011	Lam	D2/882	D751,796 S	3/2016	Gewirz et al.	
7,926,122 B1	4/2011	Countryman		D754,422 S	4/2016	Zenoff	
7,974,432 B1 *	7/2011	Ryan	A42B 1/245 2/195.1	D760,475 S *	7/2016	Zenoff	D2/742
7,992,224 B2	8/2011	Tai		D761,912 S *	7/2016	Zenoff	D14/374
D647,286 S *	10/2011	Malek	D2/866	D764,592 S *	8/2016	Zenoff	D20/42
D647,689 S	11/2011	Girbaud et al.		D764,770 S	8/2016	Zenoff	
D649,040 S	11/2011	Sanders		D764,771 S	8/2016	Zenoff	
D649,744 S	12/2011	Weinshanker		D764,772 S	8/2016	Zenoff	
D653,017 S	1/2012	Hamlin		D765,357 S	9/2016	Zenoff	
D654,251 S	2/2012	Alkas-Shamoun		D772,226 S	11/2016	Zenoff	
D655,601 S	3/2012	Daley et al.		D776,202 S	1/2017	Zenoff	
D657,424 S	4/2012	Podd		D776,761 S *	1/2017	Zenoff	D20/42
D658,603 S	5/2012	Egawa et al.		D776,762 S *	1/2017	Zenoff	D20/42
D658,899 S	5/2012	Zadro		D778,037 S	2/2017	Zenoff	
D659,351 S	5/2012	Benkendorfer		D791,443 S	7/2017	Zenoff	
D660,554 S	5/2012	Blackshear		2001/0034894 A1	11/2001	Godfrey et al.	
D661,061 S	6/2012	Eveleth		2003/0073412 A1	4/2003	Meade et al.	
D661,063 S	6/2012	Eveleth		2003/0221234 A1	12/2003	Wang	
D661,446 S	6/2012	Davis		2004/0221368 A1	11/2004	Okot	
D670,068 S	11/2012	Bomze		2005/0132470 A1	6/2005	Wong	
D670,892 S	11/2012	Epstein		2005/0214495 A1	9/2005	Thiebaut	
D671,716 S *	12/2012	Lam	D2/882	2006/0112707 A1	6/2006	Tu	
D672,294 S	12/2012	Thompson		2006/0117458 A1	6/2006	Ishihara et al.	
8,364,220 B2	1/2013	Sandmore		2006/0206985 A1	9/2006	Proctor	
D681,867 S	5/2013	Wegger et al.		2006/0209218 A1	9/2006	Lee et al.	
8,453,265 B2	6/2013	Forté et al.		2006/0249404 A1	11/2006	Adams	
8,458,820 B2	6/2013	Cleva		2007/0056078 A1 *	3/2007	Tseng	A42C 5/02 2/171
D693,099 S	11/2013	Purdy		2007/0143906 A1	6/2007	Renteria	
8,626,586 B1	1/2014	Biere et al.		2007/0182664 A1 *	8/2007	Himmele	A42B 1/248 345/8
D699,928 S *	2/2014	Tien	D2/882	2007/0247312 A1	10/2007	Sekine	
D701,504 S	3/2014	Christopher et al.		2007/0256213 A1	11/2007	Dunavin	
8,677,515 B2	3/2014	Ishihara et al.		2008/0000013 A1	1/2008	Talley	
D702,928 S	4/2014	White		2009/0084009 A1	4/2009	Vandergriff et al.	
D703,069 S	4/2014	Adams et al.		2009/0251888 A1	10/2009	Douglas	
D704,925 S	5/2014	Cho		2009/0306485 A1	12/2009	Bell	
D705,527 S *	5/2014	Clark	D2/866	2009/0310290 A1	12/2009	Tennent	
D708,427 S	7/2014	Cho		2010/0058514 A1	3/2010	Koh	
D709,675 S *	7/2014	Cho	D2/882	2010/0095573 A1	4/2010	Lifshitz	
D710,220 S	8/2014	Daniel		2010/0100004 A1	4/2010	Van Someren	
D710,569 S	8/2014	Pelengaris		2010/0131613 A1	5/2010	Jonsson et al.	
D711,002 S	8/2014	Ohnemus et al.		2010/0299979 A1 *	12/2010	LaMere	A42B 1/248 40/329
D711,874 S	8/2014	Cope		2010/0306808 A1	12/2010	Neumeier et al.	
D712,635 S	9/2014	Rivas		2010/0313334 A1 *	12/2010	Moy	A42B 1/248 2/209.13
D713,622 S	9/2014	Steel		2011/0041238 A1	2/2011	Brzoska	
D714,031 S	9/2014	Javits, Jr.		2011/0088715 A1	4/2011	Lee et al.	
D716,078 S	10/2014	Theisen et al.		2011/0094016 A1	4/2011	Paulson	
				2011/0187681 A1	8/2011	Kim et al.	
				2011/0246908 A1	10/2011	Akram et al.	

(56)

References Cited

U.S. PATENT DOCUMENTS

2011/0295749	A1	12/2011	Scalisi	
2012/0005809	A1	1/2012	Johnson	
2012/0089437	A1	4/2012	Amento et al.	
2012/0163269	A1	6/2012	Shuster et al.	
2012/0198600	A1	8/2012	Niazi	
2012/0210616	A1	8/2012	Laraque	
2012/0256902	A1	10/2012	Tam et al.	
2012/0264492	A1	10/2012	Stewart	
2012/0324076	A1	12/2012	Zerr et al.	
2013/0188322	A1	7/2013	Lowe et al.	
2013/0222270	A1	8/2013	Winkler et al.	
2013/0333095	A1	12/2013	Dudick	
2014/0053316	A1	2/2014	Su	
2014/0098009	A1	4/2014	Prest et al.	
2014/0111323	A1	4/2014	Strout et al.	
2014/0121539	A1	5/2014	Chatterjee et al.	
2014/0160055	A1	6/2014	Margolis et al.	
2014/0173807	A1	6/2014	Waters	
2014/0176417	A1	6/2014	Young et al.	
2015/0033445	A1*	2/2015	Warner	A42B 1/248 2/209.13
2015/0096104	A1	4/2015	Kim	
2015/0146903	A1*	5/2015	Mariasov	H04R 1/028 381/333
2015/0164166	A1	6/2015	Tsai	
2015/0250245	A1	9/2015	Waters	
2015/0312975	A1	10/2015	Tischler et al.	
2016/0019821	A1	1/2016	Haddad	

OTHER PUBLICATIONS

U.S. Appl. No. 29/499,867, filed Aug. 19, 2014, Zenoff.
U.S. Appl. No. 29/499,866, filed Aug. 19, 2014, Zenoff.
U.S. Appl. No. 29/500,139, filed Aug. 21, 2014, Zenoff.
U.S. Appl. No. 29/500,381, filed Aug. 25, 2014, Zenoff.
U.S. Appl. No. 29/500,384, filed Aug. 25, 2014, Zenoff.
U.S. Appl. No. 29/500,387, filed Aug. 25, 2014, Zenoff.
U.S. Appl. No. 29/500,391, filed Aug. 25, 2014, Zenoff.
U.S. Appl. No. 29/500,393, filed Aug. 25, 2014, Zenoff.
U.S. Appl. No. 29/500,399, filed Aug. 25, 2014, Zenoff.
U.S. Appl. No. 29/500,405, filed Aug. 25, 2014, Zenoff.
U.S. Appl. No. 29/500,407, filed Aug. 25, 2014, Zenoff.
U.S. Appl. No. 29/500,408, filed Aug. 25, 2014, Zenoff.
U.S. Appl. No. 29/500,504, filed Aug. 26, 2014, Zenoff.
U.S. Appl. No. 29/500,506, filed Aug. 26, 2014, Zenoff.
U.S. Appl. No. 29/500,509, filed Aug. 26, 2014, Zenoff.
U.S. Appl. No. 29/500,512, filed Aug. 26, 2014, Zenoff.
U.S. Appl. No. 29/500,514, filed Aug. 26, 2014, Zenoff.
U.S. Appl. No. 29/500,546, filed Aug. 26, 2014, Zenoff.
U.S. Appl. No. 29/500,551, filed Aug. 26, 2014, Zenoff.
U.S. Appl. No. 29/500,553, filed Aug. 26, 2014, Zenoff.
U.S. Appl. No. 29/500,555, filed Aug. 26, 2014, Zenoff.
U.S. Appl. No. 29/500,557, filed Aug. 26, 2014, Zenoff.
U.S. Appl. No. 29/500,558, filed Aug. 26, 2014, Zenoff.
U.S. Appl. No. 29/500,562, filed Aug. 26, 2014, Zenoff.
U.S. Appl. No. 29/500,564, filed Aug. 26, 2014, Zenoff.
Alibaba.com. Mobile billboard advertising led truck new technology product in china mobile truck led tv screen. Available at http://www.alibaba.com/product-detail/mobile-billboard-advertising-led-truck-new_60181386676.html. Accessed on Jul. 24, 2015.
Webbozz.com. Stylish Circular Display Smart Watch—Motorola Moto 360. Feb. 2013. Available at <http://www.webbozz.com/stylish-circular-display-smart-watch-motorola-moto-360>. Accessed on Jul. 23, 2015.
Ex Parte Quayle Action dated Feb. 17, 2016 for U.S. Appl. No. 29/500,551 of inventor Andrew Zenoff.
Ex Parte Quayle action dated Feb. 17, 2016 for U.S. Appl. No. 29/500,553 of inventor Andrew Zenoff.
Ex parte Quayle Office action dated Feb. 12, 2016 for U.S. Appl. No. 29/500,509 of inventor Andrew Zenoff.

Ex parte Quayle Office action dated Dec. 3, 2015 for U.S. Appl. No. 29/500,562 of inventor Andrew Zenoff.
Notice of allowance dated Feb. 3, 2016 for U.S. Appl. No. 29/500,504 of inventor Andrew Zenoff.
Notice of allowance dated Mar. 3, 2016 for U.S. Appl. No. 29/500,555 of inventor Andrew Zenoff.
Notice of allowance dated Apr. 25, 2016 for U.S. Appl. No. 29/500,384 of inventor Andrew Zenoff.
Notice of allowance dated Apr. 27, 2016 for U.S. Appl. No. 29/500,387 of inventor Andrew Zenoff.
Notice of allowance dated Apr. 27, 2016 for U.S. Appl. No. 29/500,391 of inventor Andrew Zenoff.
Notice of allowance dated Apr. 27, 2016 for U.S. Appl. No. 29/500,509 of inventor Andrew Zenoff.
Notice of allowance dated Nov. 6, 2015 for U.S. Appl. No. 29/500,393 of inventor Andrew Zenoff.
Notice of allowance dated Nov. 6, 2015 for U.S. Appl. No. 29/500,399 of inventor Andrew Zenoff.
Notice of allowance dated Nov. 24, 2015 for U.S. Appl. No. 29/499,866 of inventor Andrew Zenoff.
Notice of allowance dated Apr. 25, 2016 for U.S. Appl. No. 29/500,381 of inventor Andrew Zenoff.
Office action dated Feb. 12, 2016 for U.S. Appl. No. 29/500,506 of inventor Andrew Zenoff.
Office action dated Feb. 19, 2016 for U.S. Appl. No. 29/500,512 of inventor Andrew Zenoff.
Office action dated Feb. 22, 2016 for U.S. Appl. No. 29/500,558 of inventor Andrew Zenoff.
Office action dated Mar. 14, 2016 for U.S. Appl. No. 29/500,546 of inventor Andrew Zenoff.
Office action dated Apr. 20, 2016 for U.S. Appl. No. 29/500,564 of inventor Andrew Zenoff.
Office action dated Oct. 7, 2015 for U.S. Appl. No. 29/500,564 of inventor Andrew Zenoff.
Office action dated Oct. 8, 2015 for U.S. Appl. No. 29/500,405 of inventor Andrew Zenoff.
Office action dated Oct. 28, 2015 for U.S. Appl. No. 29/500,514 of inventor Andrew Zenoff.
Office action dated Nov. 5, 2015 for U.S. Appl. No. 29/500,407 of inventor Andrew Zenoff.
Office action dated Nov. 9, 2015 for U.S. Appl. No. 29/500,408 of inventor Andrew Zenoff.
Office action dated Nov. 12, 2015 for U.S. Appl. No. 29/499,864 of inventor Andrew Zenoff.
Office action dated Nov. 16, 2015 for U.S. Appl. No. 29/499,867 of inventor Andrew Zenoff.
Office action dated Nov. 23, 2015 for U.S. Appl. No. 29/500,557 of inventor Andrew Zenoff.
Office action dated Nov. 24, 2015 for U.S. Appl. No. 29/500,139 of inventor Andrew Zenoff.
Notice of allowance dated Jun. 14, 2016 for U.S. Appl. No. 29/500,509 of inventor Andrew Zenoff.
Notice of allowance dated Jun. 15, 2016 for U.S. Appl. No. 29/500,555 of inventor Andrew Zenoff.
Notice of allowance dated Jun. 22, 2016 for U.S. Appl. No. 29/500,384 of inventor Andrew Zenoff.
Notice of allowance dated Jun. 22, 2016 for U.S. Appl. No. 29/500,387 of inventor Andrew Zenoff.
Notice of allowance dated Jun. 22, 2016 for U.S. Appl. No. 29/500,391 of inventor Andrew Zenoff.
Notice of allowance dated Jul. 15, 2016 for U.S. Appl. No. 29/500,514 of inventor Andrew Zenoff.
Notice of allowance dated Aug. 29, 2016 for U.S. Appl. No. 29/500,512 of inventor Andrew Zenoff.
Notice of allowance dated Aug. 29, 2016 for U.S. Appl. No. 29/500,551 of inventor Andrew Zenoff.
Notice of allowance dated Sep. 1, 2016 for U.S. Appl. No. 29/500,553 of inventor Andrew Zenoff.
Notice of allowance dated Sep. 26, 2016 for U.S. Appl. No. 29/500,405 of inventor Andrew Zenoff.
Office action dated Aug. 2, 2016 for U.S. Appl. No. 29/499,864 of inventor Andrew Zenoff.

(56)

References Cited

OTHER PUBLICATIONS

Office action dated Aug. 10, 2016 for U.S. Appl. No. 29/499,867 of inventor Andrew Zenoff.

Office action dated Aug. 12, 2016 for U.S. Appl. No. 29/500,557 of inventor Andrew Zenoff.

Office action dated Sep. 12, 2016 for U.S. Appl. No. 29/500,408 of inventor Andrew Zenoff.

Office action dated Sep. 13, 2016 for U.S. Appl. No. 29/500,407 of inventor Andrew Zenoff.

Office action dated Sep. 27, 2016 for U.S. Appl. No. 29/500,558 of inventor Andrew Zenoff.

Office action dated Dec. 2, 2016 for U.S. Appl. No. 29/500,564 of inventor Andrew Zenoff.

Office action dated Aug. 12, 2016 for U.S. Appl. No. 29/500,139 of inventor Andrew Zenoff.

Co-pending U.S. Appl. No. 29/589,942, filed Jan. 5, 2017 of inventor Andrew Zenoff.

Co-pending U.S. Appl. No. 29/590,754, filed Jan. 12, 2017 of inventor Andrew Zenoff.

"Notice of allowance dated Mar. 13, 2017 for U.S. Appl. No. 29/500,407 of inventor Andrew Zenoff."

Office action dated Aug. 3, 2017 for U.S. Appl. No. 29/499,867 of inventor Andrew Zenoff.

* cited by examiner

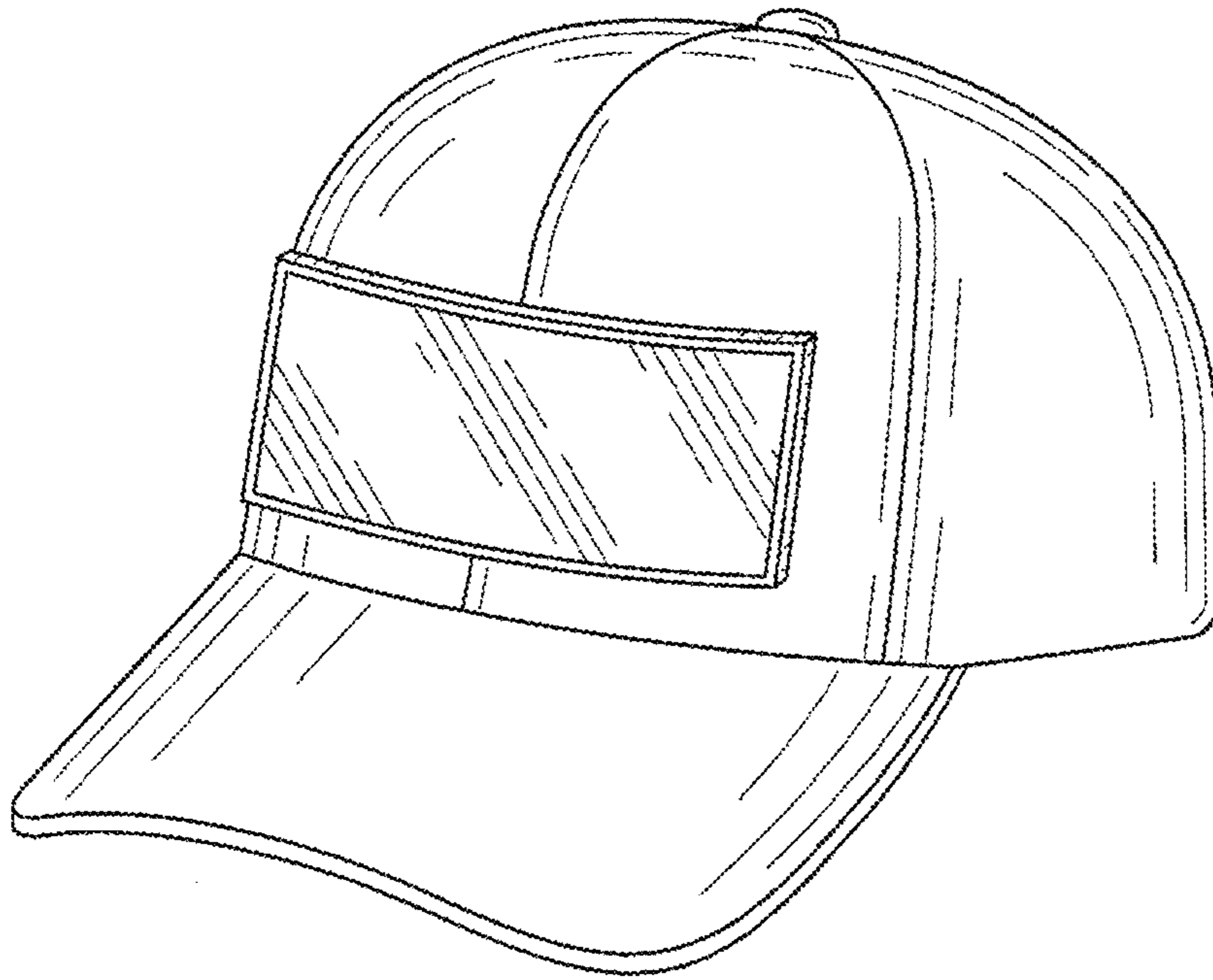


FIG. 1

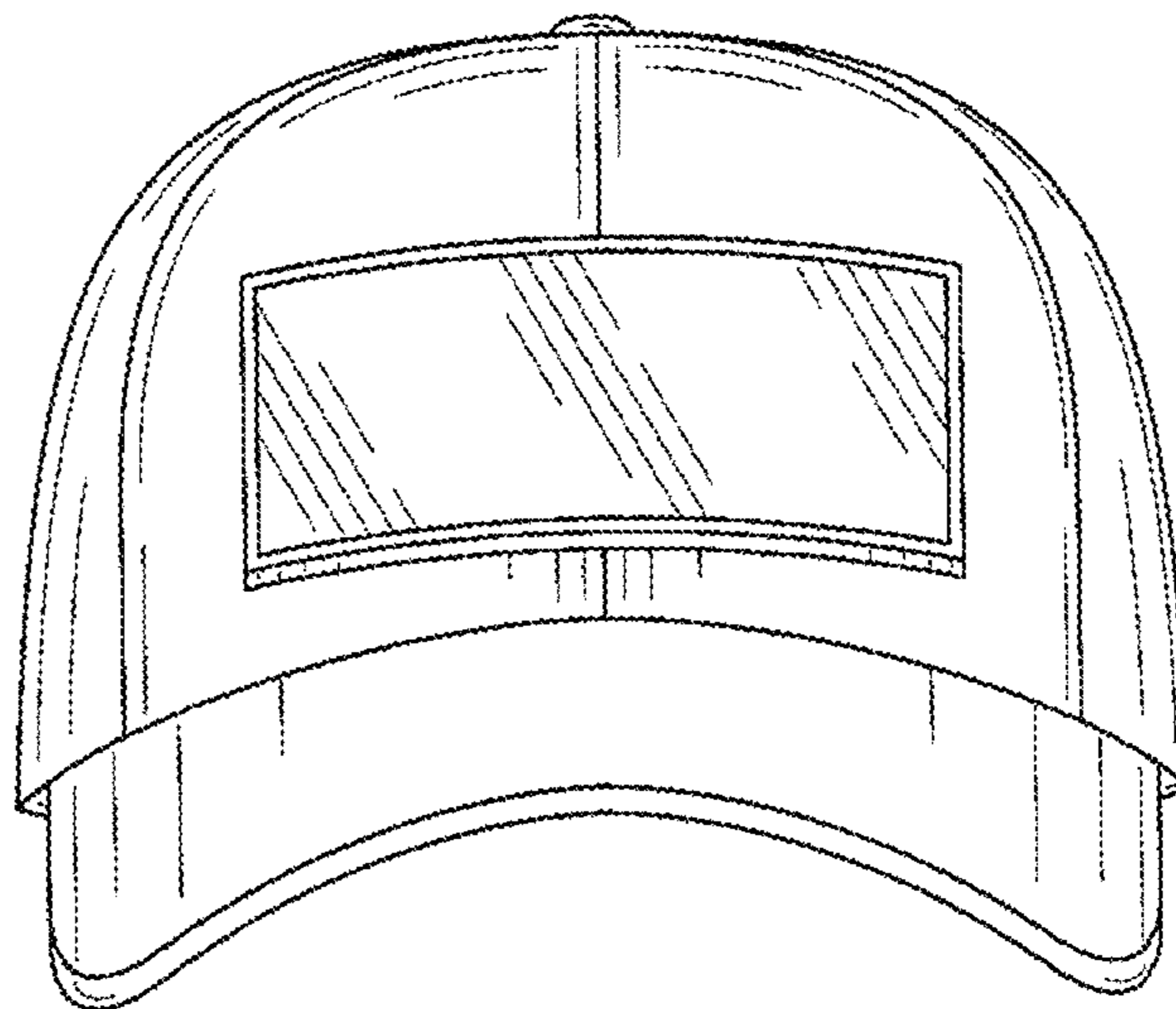


FIG. 2

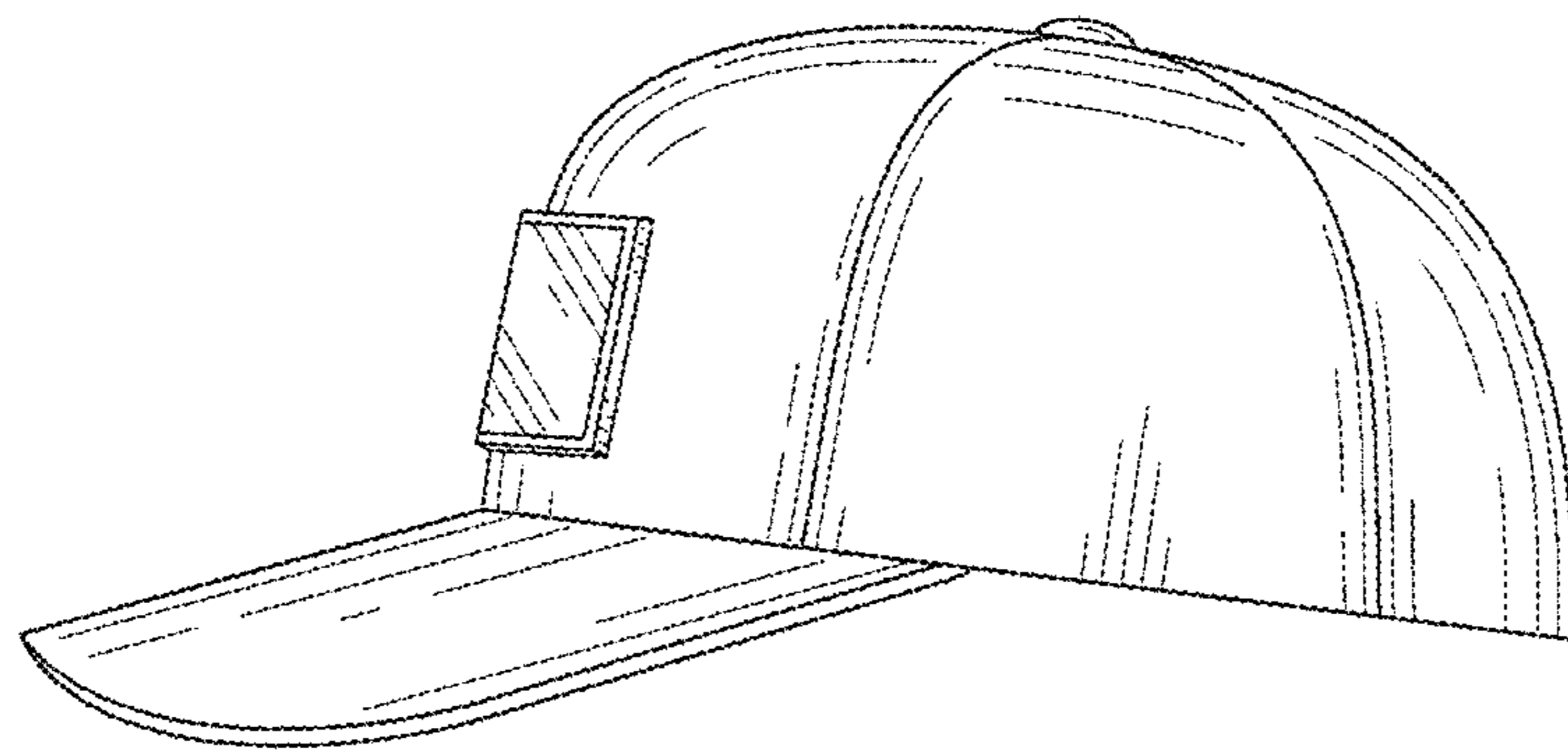


FIG. 3

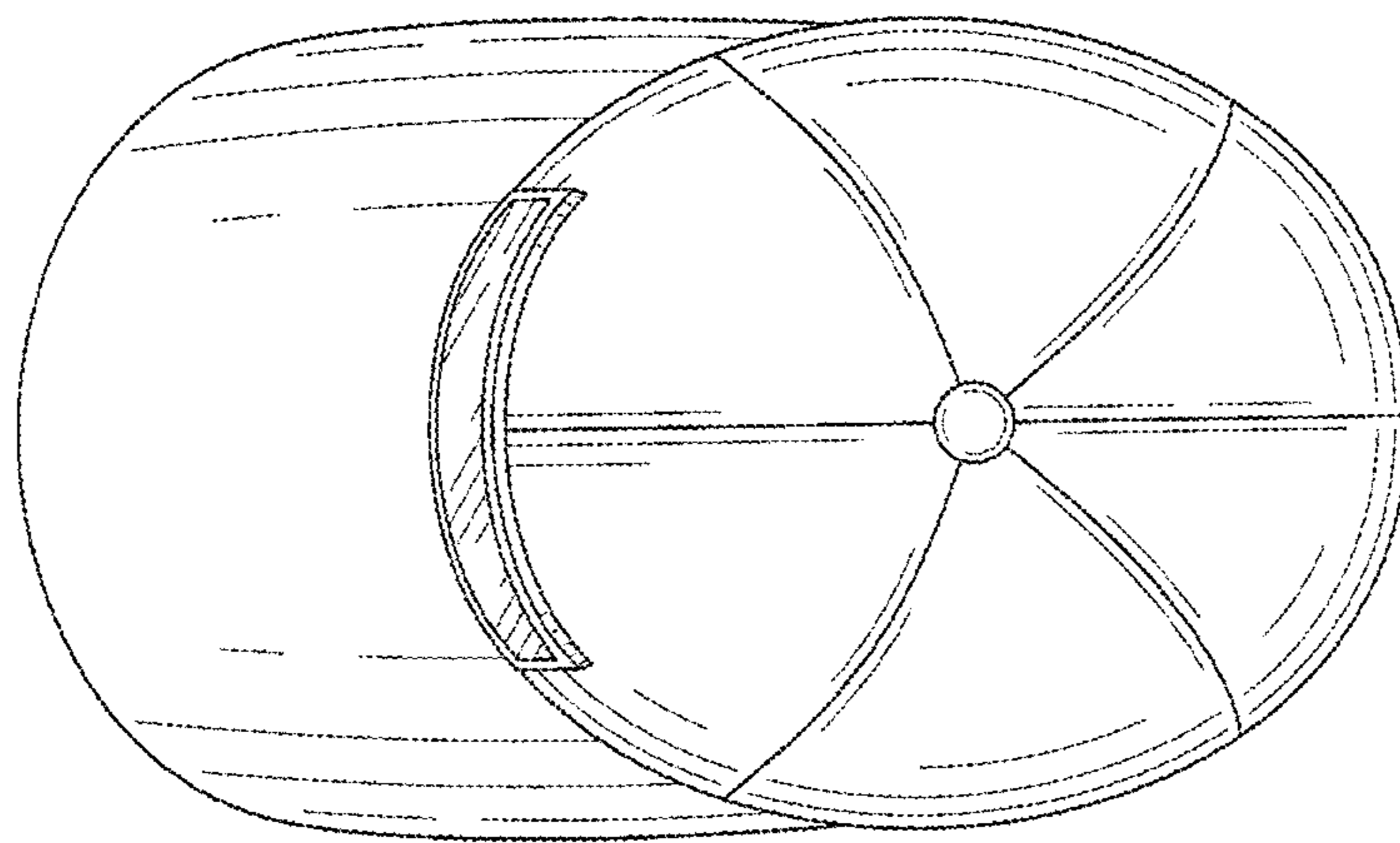


FIG. 4

UNITED STATES PATENT AND TRADEMARK OFFICE
CERTIFICATE OF CORRECTION

PATENT NO. : D801,644 S
APPLICATION NO. : 29/499861
DATED : November 7, 2017
INVENTOR(S) : Andrew Zenoff

Page 1 of 1

It is certified that error appears in the above-identified patent and that said Letters Patent is hereby corrected as shown below:

On the Title Page

Under (57) CLAIM, delete “The ornamental design for a cap with rectangular-shaped electronic display screen as shown.” and insert --The ornamental design for a cap with a rectangular-shaped electronic display screen as shown.--

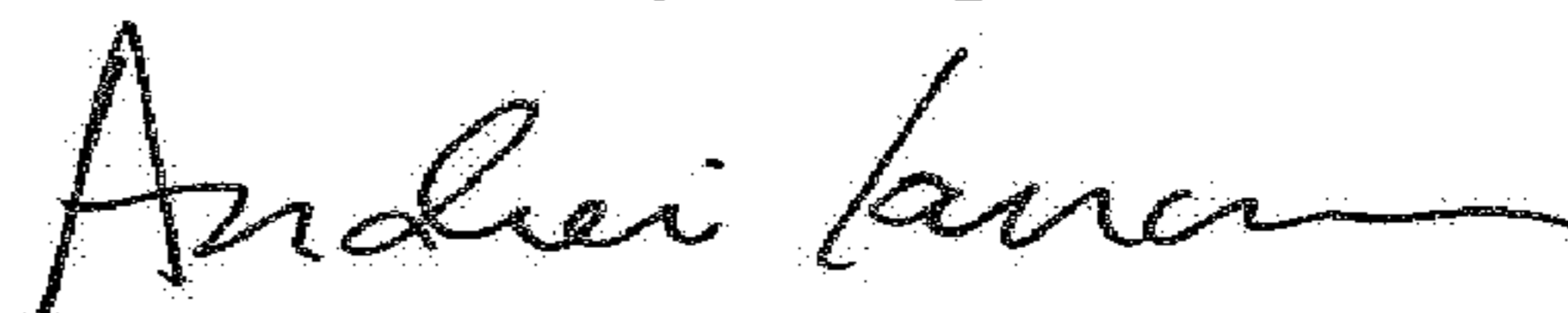
Under DESCRIPTION, delete “FIG. 1 is a perspective view of a cap with rectangular-shaped electronic display screen;” and insert --FIG. 1 is a perspective view of a cap with a rectangular-shaped electronic display screen;--

Under DESCRIPTION, delete “FIG. 2 is a front elevation view of the cap with rectangular-shaped electronic display screen;” and insert --FIG. 2 is a front elevation view of the cap with the rectangular-shaped electronic display screen;--

Under DESCRIPTION, delete “FIG. 3 is a side elevation view of the cap with rectangular-shaped electronic display screen;” and insert --FIG. 3 is a side elevation view of the cap with the rectangular-shaped electronic display screen;--

Under DESCRIPTION, delete “FIG. 4 is a top plan view of the cap with rectangular-shaped electronic display screen as shown;” and insert --FIG. 4 is a top plan view of the cap with the rectangular-shaped electronic display screen as shown;--

Signed and Sealed this
Tenth Day of April, 2018



Andrei Iancu
Director of the United States Patent and Trademark Office