



US00D801626S

(12) **United States Design Patent**
Harris et al.

(10) **Patent No.:** **US D801,626 S**
(45) **Date of Patent:** **** Nov. 7, 2017**

- (54) **OFF THE SHOULDER BRA**
- (71) Applicant: **Urban Outfitters Wholesale, Inc.**,
Philadelphia, PA (US)
- (72) Inventors: **Kristin Harris**, Brooklyn, NY (US);
Anya Crittenden, Philadelphia, PA (US)
- (73) Assignee: **Urban Outfitters Wholesale, Inc.**,
Philadelphia, PA (US)
- (**) Term: **15 Years**
- (21) Appl. No.: **29/588,870**
- (22) Filed: **Dec. 23, 2016**
- (51) **LOC (10) Cl.** **02-01**
- (52) **U.S. Cl.**
USPC **D2/706**
- (58) **Field of Classification Search**
USPC D2/700, 705–710, 720–721, 723, 728,
D2/731, 733–734, 736–737, 750, 753,
D2/793–794, 796–797, 829, 840–841,
D2/835, 844–845, 847, 850, 853;
D24/189; 2/67, 69, 74, 104, 105, 109,
2/113, 118, 119; 450/1, 2, 3, 28, 36, 39,
450/48, 58, 86, 88
CPC A41D 1/205; A41D 1/22; A41D 13/0017;
A41C 3/00; A41C 3/0028; A41C 3/0057;
A41C 3/08; A41C 3/12; A41C 3/04;
A41C 3/06; A41F 1/006
See application file for complete search history.

- D580,627 S * 11/2008 Richards D2/706
- D584,878 S * 1/2009 Blumenfeld D2/706
- D627,948 S * 11/2010 Astrom D2/706
- 8,545,288 B1 * 10/2013 Abood A41C 3/00
450/67
- D759,942 S 6/2016 Martz
- D765,343 S 9/2016 Crevi et al.
- D765,947 S 9/2016 McManus
- D765,948 S 9/2016 McManus
- 2017/0035130 A1 * 2/2017 Hazzard A41C 3/0028

* cited by examiner

Primary Examiner — Eric L Goodman
Assistant Examiner — Amy C Wierenga

(74) *Attorney, Agent, or Firm* — Drinker Biddle & Reath
LLP

(57) **CLAIM**

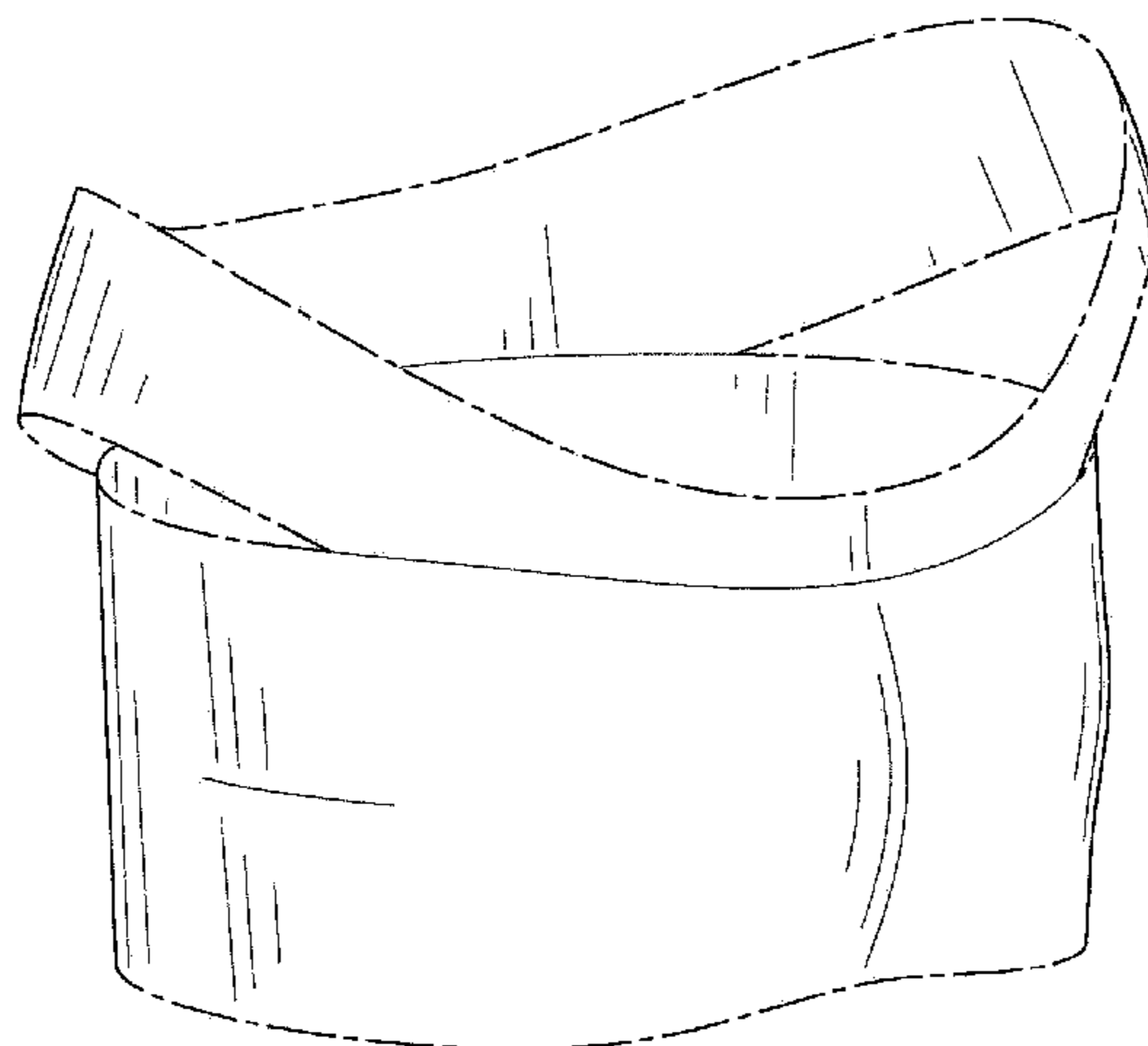
The ornamental design for an off the shoulder bra, as shown and described.

DESCRIPTION

FIG. 1 is a perspective view of an off the shoulder bra according to the present invention.
 FIG. 2 is a front view of the off the shoulder bra of FIG. 1.
 FIG. 3 is a rear view of the off the shoulder bra of FIG. 1.
 FIG. 4 is a left side view of the off the shoulder bra of FIG. 1; the right side view is a mirror image.
 FIG. 5 is a top view of the off the shoulder bra of FIG. 1; and, FIG. 6 is a bottom view of the off the shoulder bra of FIG. 1.
 The edges of the design shown in dash-dot lines represent the boundaries of the claim and form no part of the claim.

- (56) **References Cited**
U.S. PATENT DOCUMENTS
3,508,555 A * 4/1970 Della A41C 3/00
450/27
D321,083 S * 10/1991 Thygesen D2/703

1 Claim, 6 Drawing Sheets



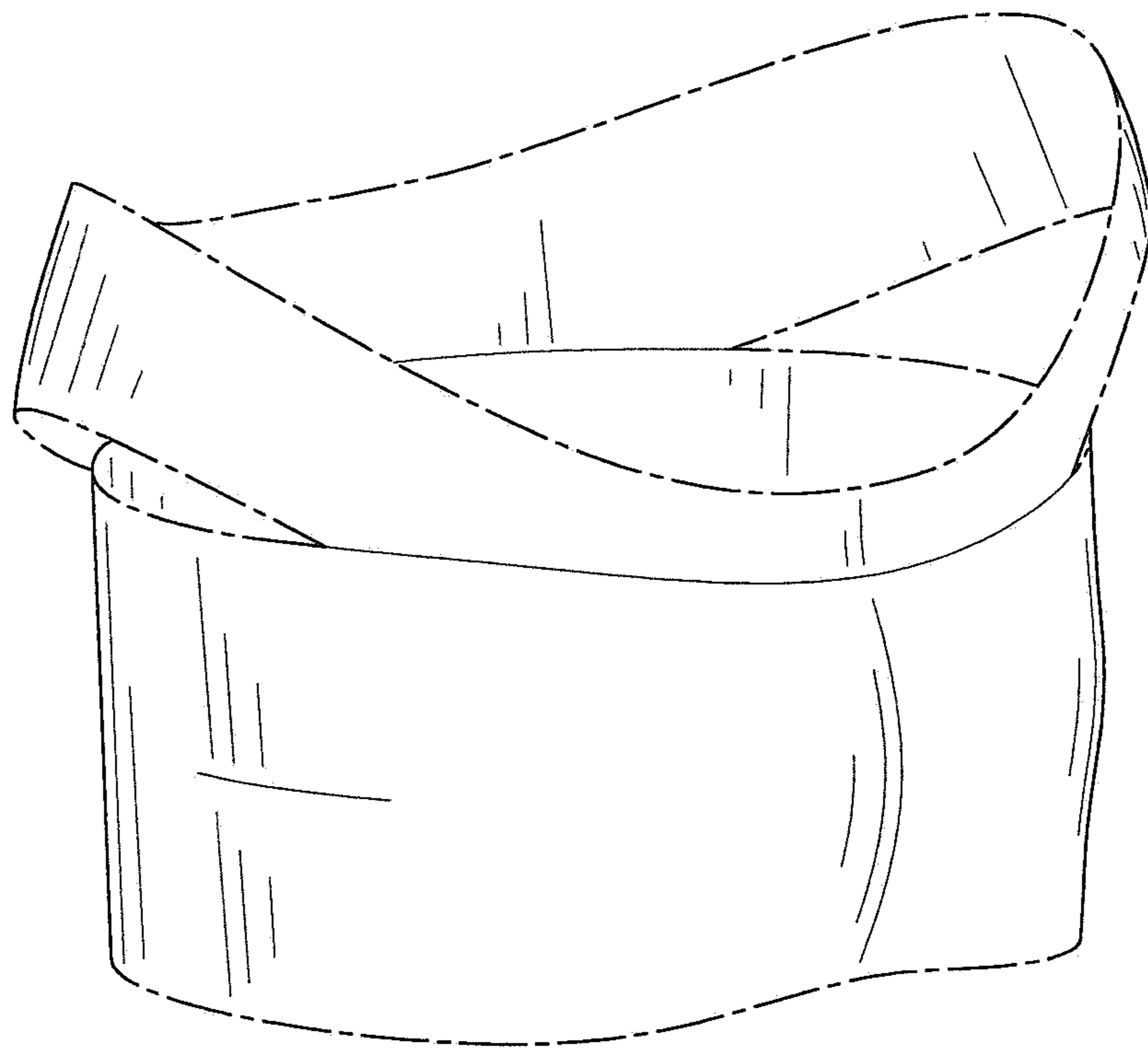


FIG. 1

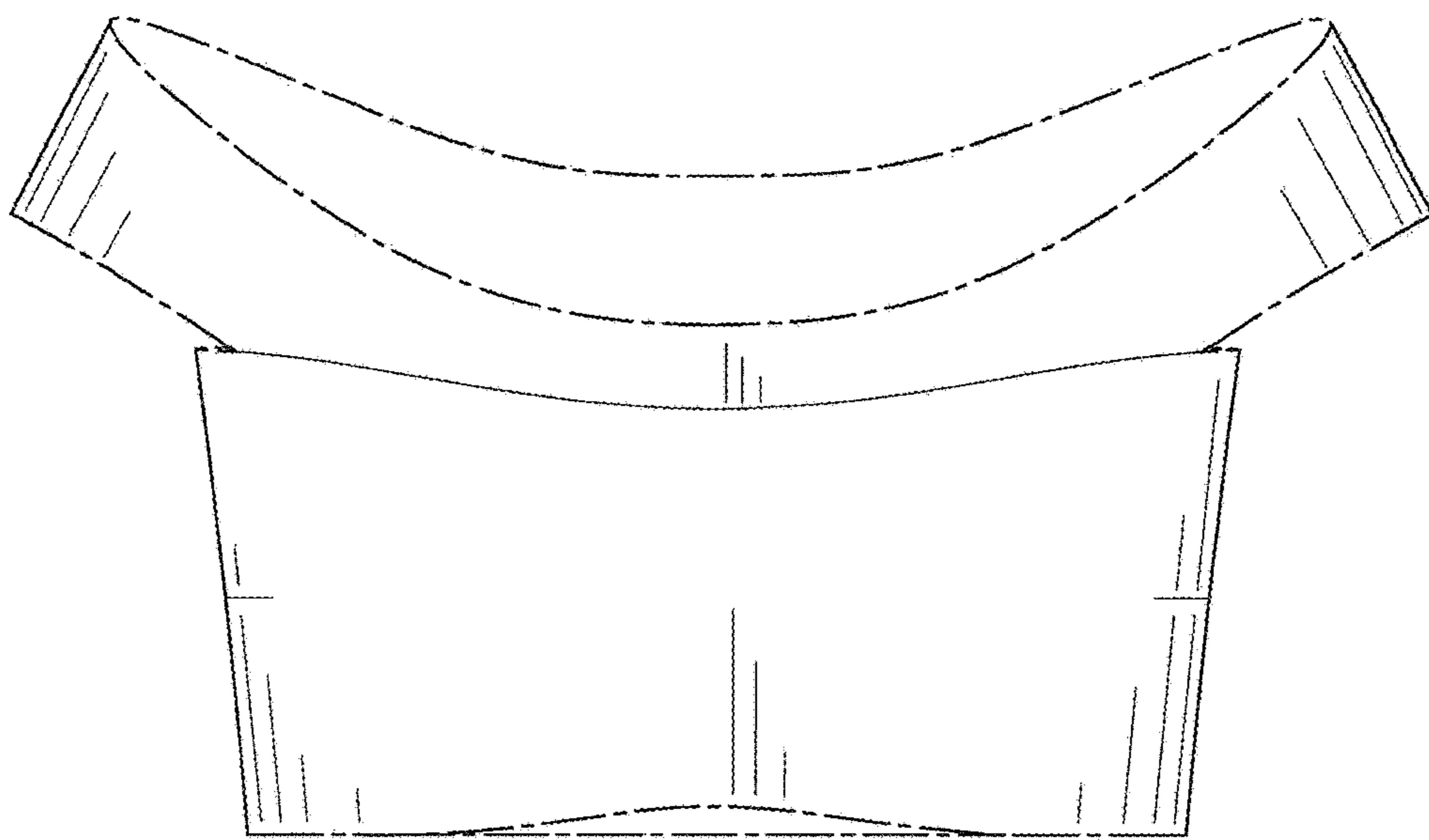


FIG. 2

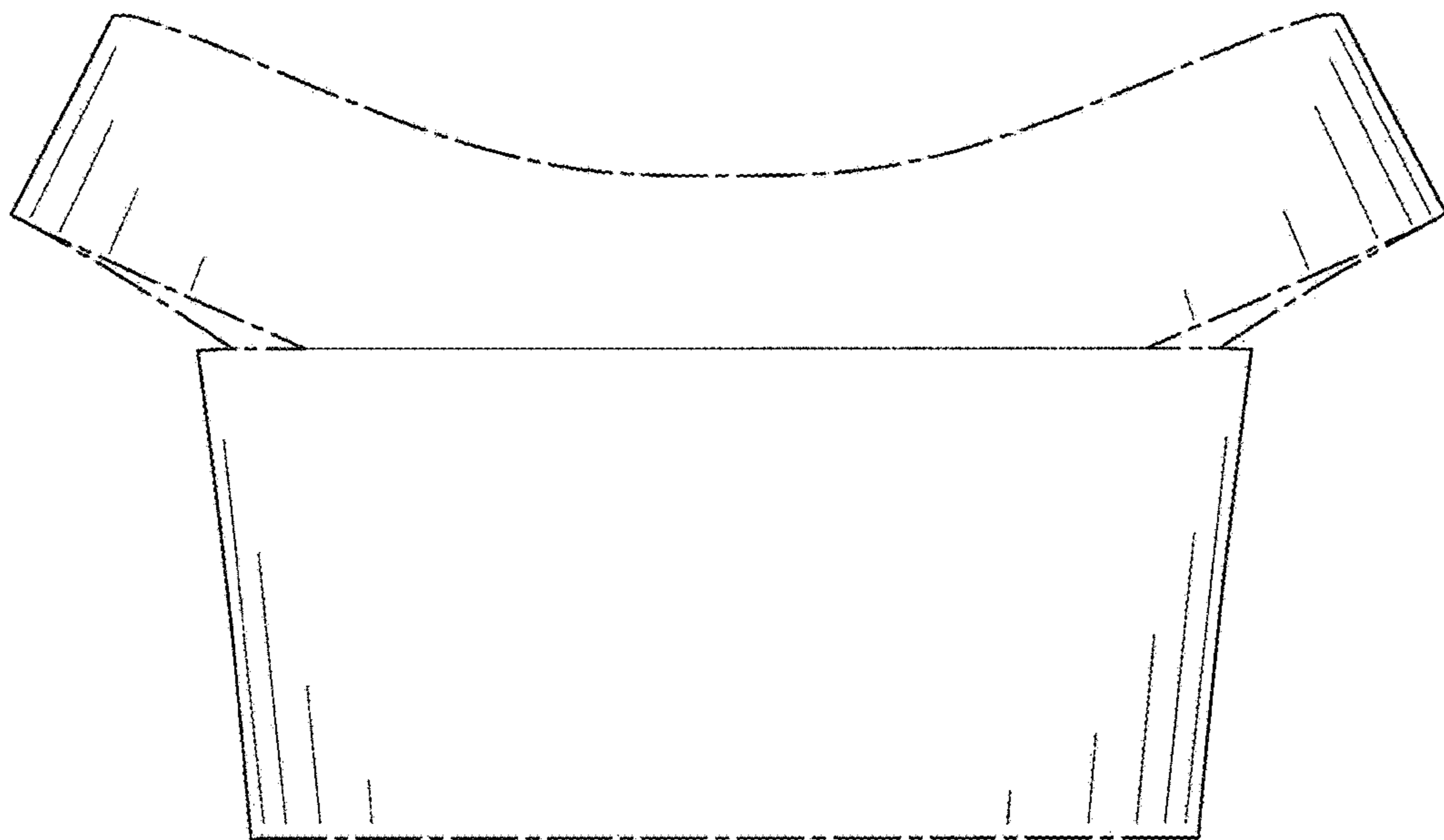


FIG. 3

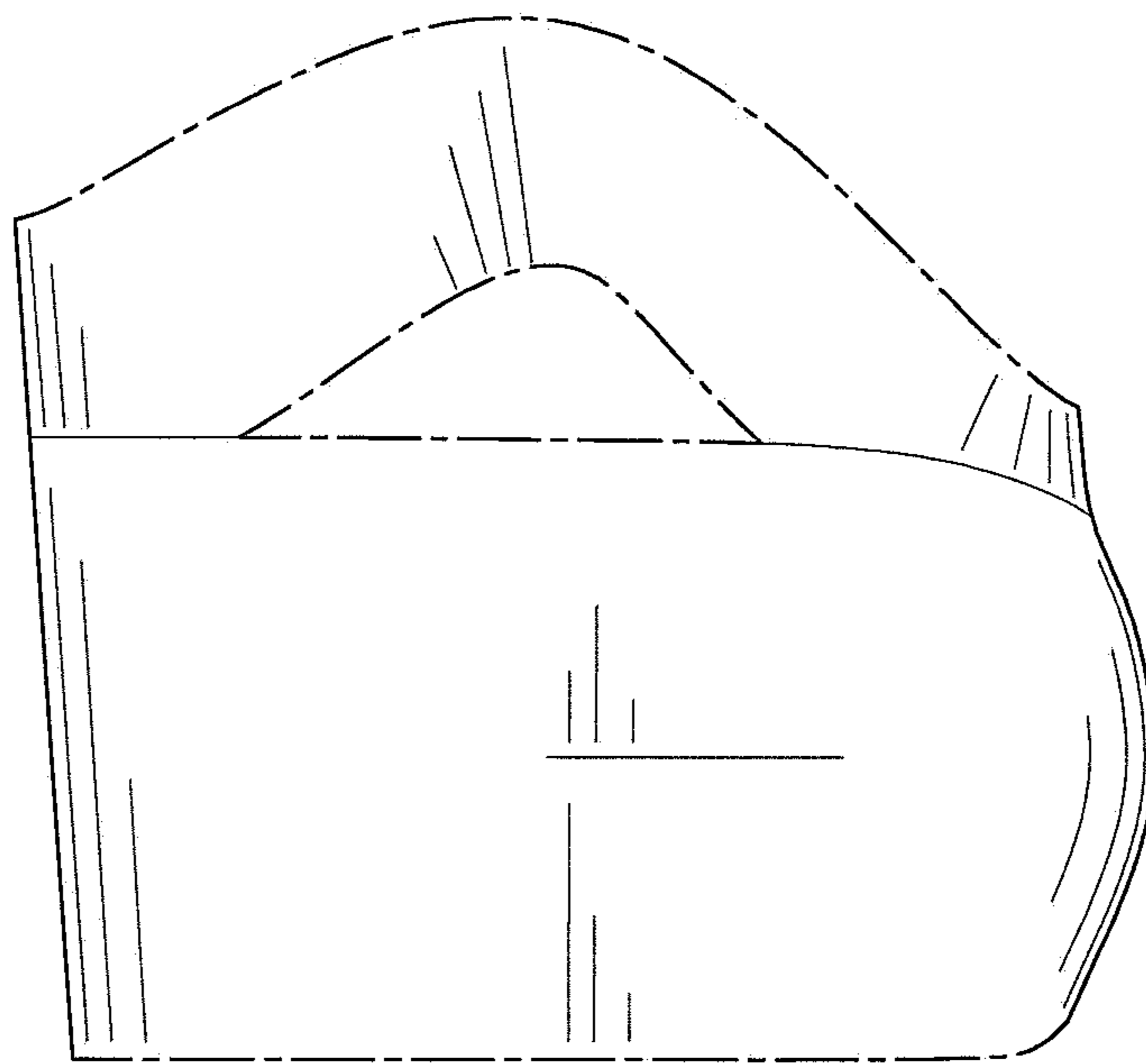


FIG. 4

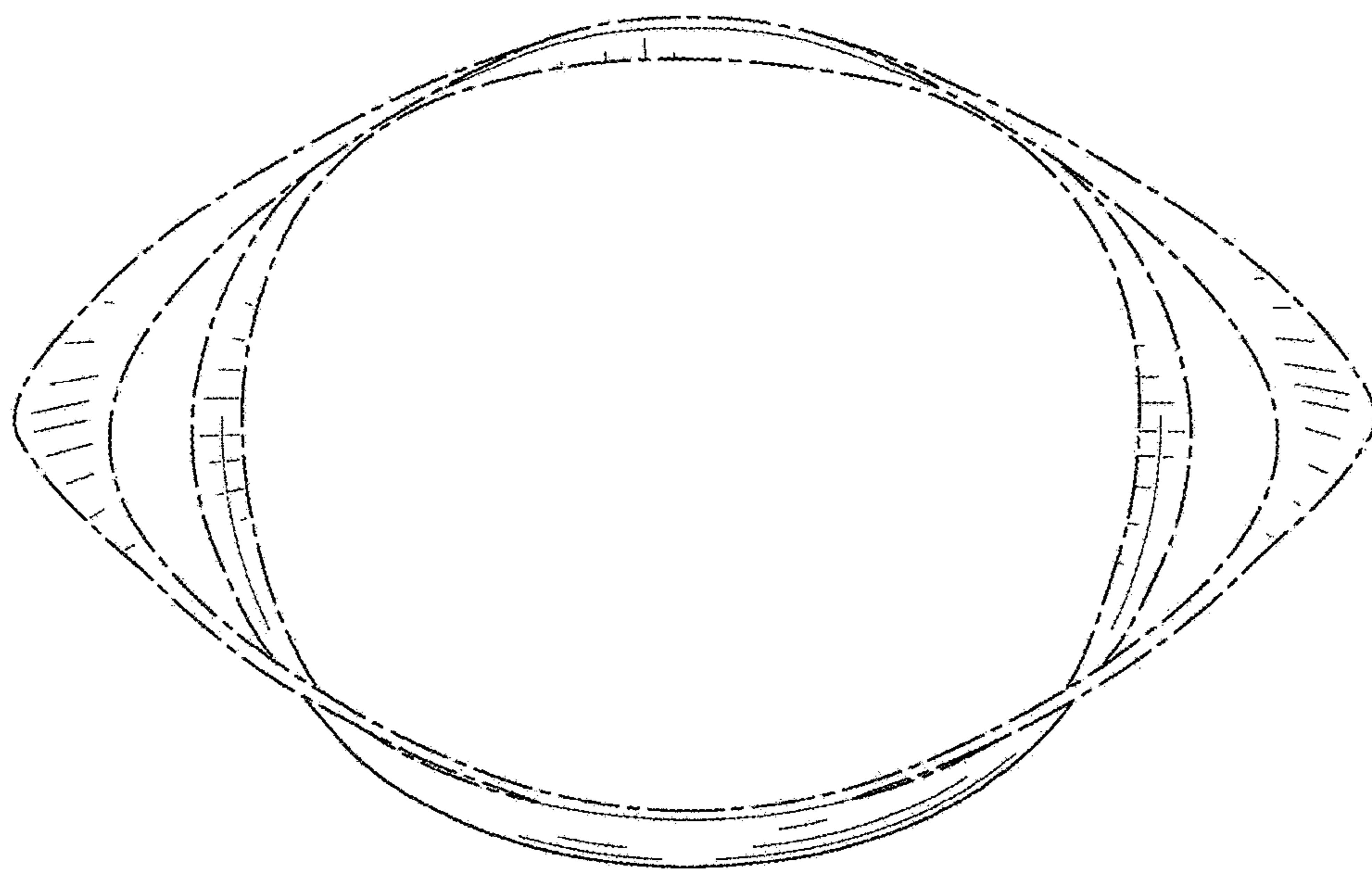


FIG. 5

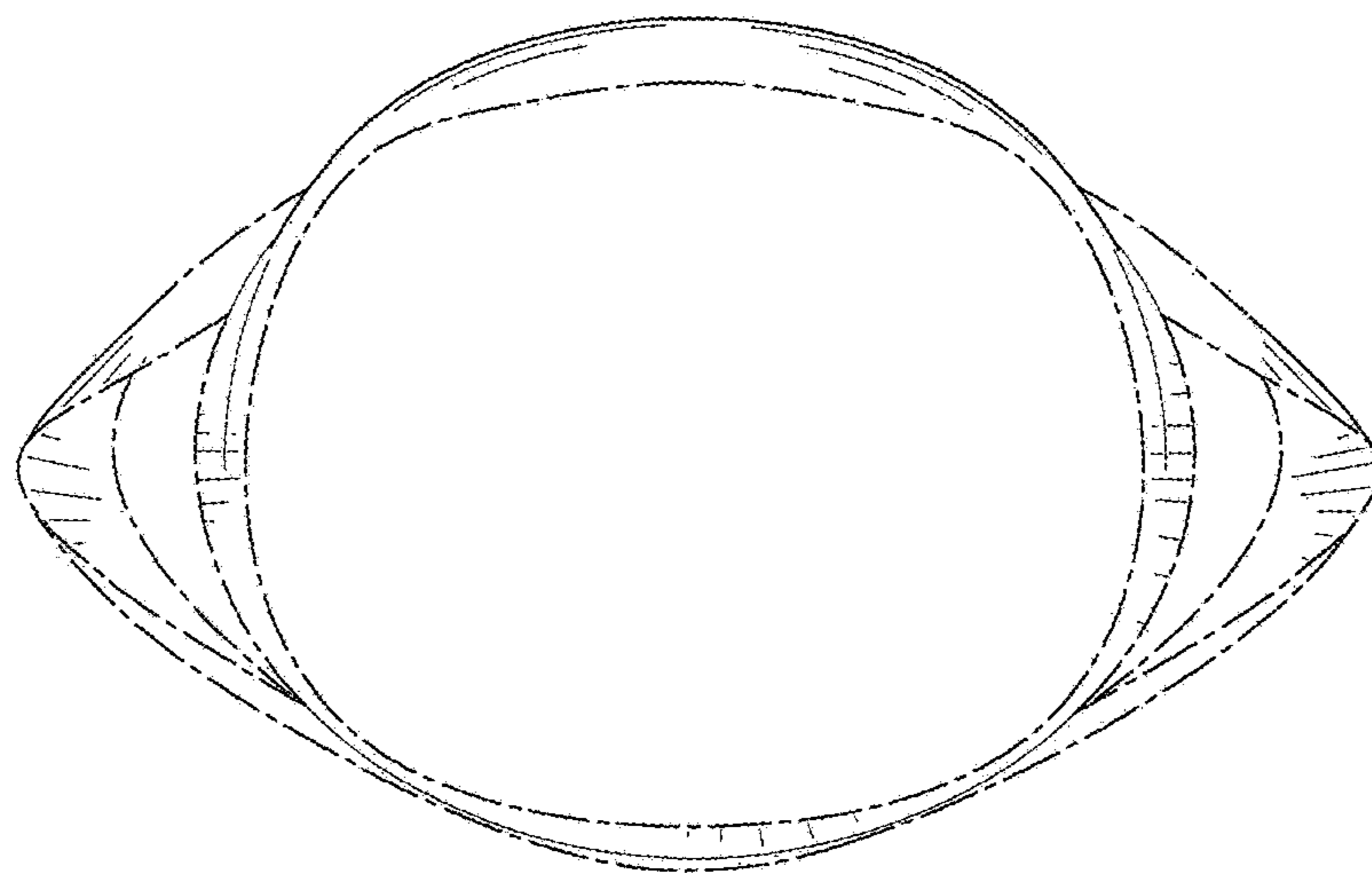


FIG. 6