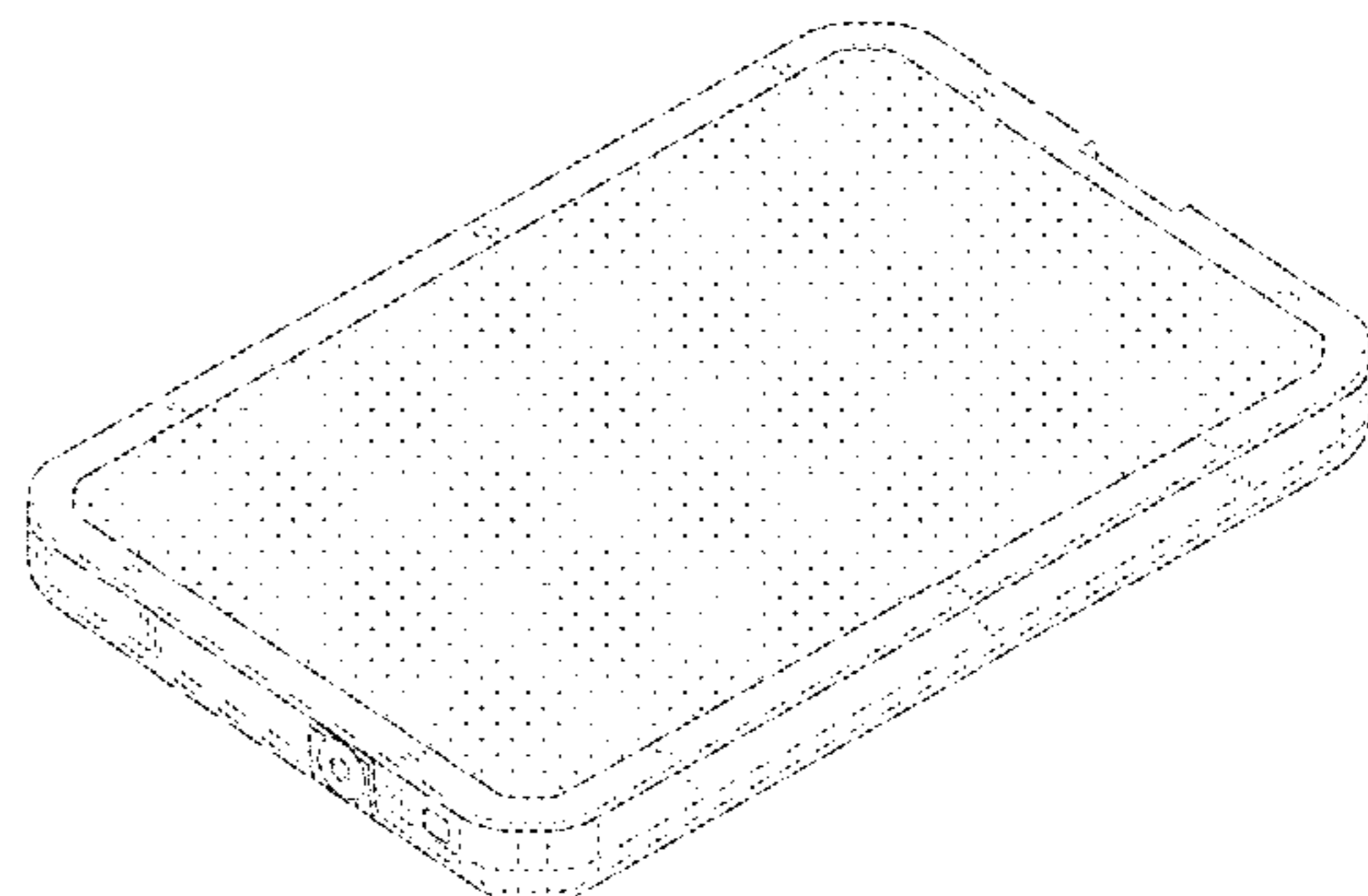
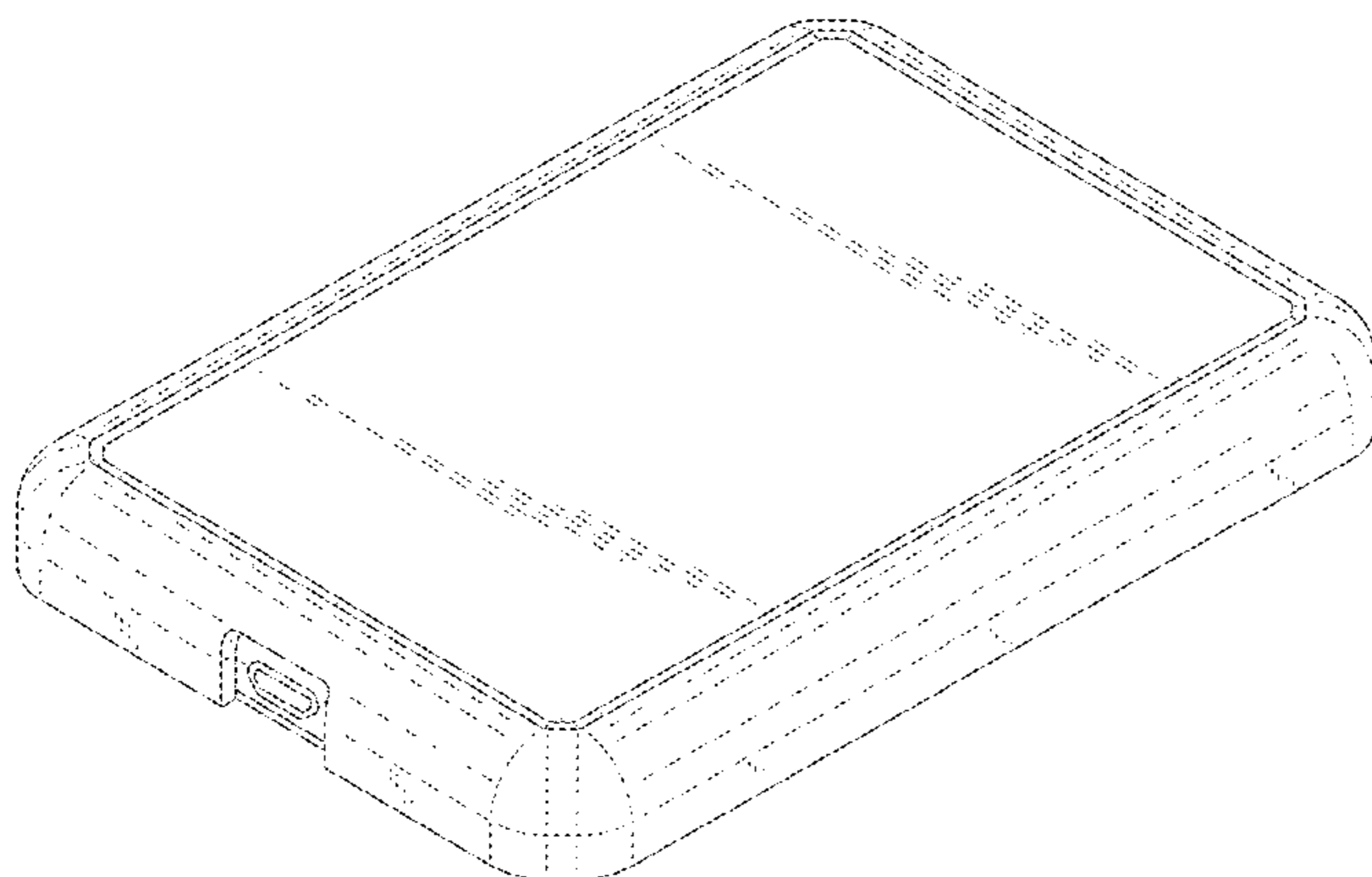




US00D801624S

(12) **United States Design Patent** (10) **Patent No.:** **US D801,624 S**  
**Zsolcsak et al.** (45) **Date of Patent:** **\*\* Nov. 7, 2017**

- (54) **HEAT PACK** 2,680,918 A 6/1952 Behner  
3,202,801 A \* 8/1965 Saluri ..... H05B 3/342  
219/528
- (71) Applicant: **Schawbel Technologies LLC**,  
Burlington, MA (US) 3,360,633 A 12/1967 Weisberger  
3,585,736 A 6/1971 Polichena  
3,621,191 A 11/1971 Cornwell
- (72) Inventors: **Veronica M. Zsolcsak**, Newburyport,  
MA (US); **Micha Eizen**, Lake Forest,  
CA (US); **Thomas John William**  
**Bayes**, Rothwell (GB); **Ian Nicholson**  
**Whitehead**, Concord, MA (US) 3,800,133 A 3/1974 Duval  
4,470,263 A 9/1984 Lehovec et al.  
4,507,877 A 4/1985 Vaccari et al.  
D285,523 S \* 9/1986 Ayukawa ..... D7/367  
4,640,284 A 2/1987 Ruderian  
4,665,301 A 5/1987 Bondy  
4,699,123 A 10/1987 Laborowski  
D296,509 S \* 7/1988 Fuke ..... D7/363  
D300,606 S 4/1989 Schwabel et al.  
4,823,482 A 4/1989 Lakic  
D303,524 S 9/1989 Siegner et al.  
4,894,931 A 1/1990 Senee et al.  
4,910,881 A 3/1990 Baggio et al.  
5,041,717 A 8/1991 Shay, III et al.  
D320,212 S 9/1991 Someya  
5,230,170 A 7/1993 Dahle  
D351,337 S 10/1994 Bonnema et al.  
D366,390 S \* 1/1996 Vitantonio ..... D7/363  
5,483,759 A 1/1996 Silverman  
5,495,682 A 3/1996 Chen  
5,522,722 A 6/1996 Diederich  
5,565,124 A 10/1996 Balzano  
5,592,759 A 1/1997 Cox  
5,623,772 A 4/1997 Sunderland et al.  
D389,953 S 1/1998 Seifert  
D391,019 S 2/1998 Seifert  
5,800,490 A 9/1998 Patz et al.  
5,802,865 A 9/1998 Strauss  
5,830,208 A 11/1998 Muller  
5,857,262 A 1/1999 Bonnema et al.  
5,875,571 A 3/1999 Huang  
5,882,106 A 3/1999 Galli  
5,944,508 A 8/1999 Bonnema  
5,956,866 A 9/1999 Spears  
5,970,718 A 10/1999 Arnold  
6,033,212 A 3/2000 Bonnema et al.  
6,074,414 A 6/2000 Haas et al.  
6,094,844 A 8/2000 Potts  
D432,493 S 10/2000 Killebrew et al.  
6,125,636 A 10/2000 Taylor et al.  
6,176,596 B1 1/2001 Shukla et al.  
6,189,327 B1 2/2001 Strauss et al.  
D440,201 S 4/2001 Huynh et al.  
D442,285 S 5/2001 Perry  
D442,426 S 5/2001 Garber et al.  
6,235,983 B1 5/2001 Becker et al.  
6,320,161 B1 11/2001 Hansen, Jr.
- (73) Assignee: **Schawbel Technologies LLC**,  
Burlington, MA (US)
- (\*\*) Term: **15 Years**
- (21) Appl. No.: **29/609,460**
- (22) Filed: **Jun. 30, 2017**
- Related U.S. Application Data**
- (62) Division of application No. 29/533,210, filed on Jul.  
15, 2015, now Pat. No. Des. 794,813.
- (51) **LOC (10) Cl.** ..... **24-04**
- (52) **U.S. Cl.**  
USPC ..... **D2/206**
- (58) **Field of Classification Search**  
USPC ..... D6/601, 595, 596, 604; D7/500, 550.1,  
D7/554.3; D24/200, 206, 207  
CPC ..... A61F 7/00; A61F 7/02; A61F 7/03; A61F  
7/0097; A61F 7/08; A61F 7/007; A61F  
7/0241; A61F 2007/0001; A61F  
2007/022; A61F 2007/023; A61F  
2007/0024; A61F 2007/0238; A61F  
2007/0025; A61F 2007/0026; A61F  
2007/0027  
See application file for complete search history.
- (56) **References Cited**  
U.S. PATENT DOCUMENTS  
2,211,636 A \* 8/1940 Bates ..... A61F 7/10  
62/530  
D139,751 S \* 12/1944 Springwell ..... D7/363



# US D801,624 S

6,523,836 B1	2/2003	Chang et al.	9,101,177 B2	8/2015	Whitehead et al.
6,649,873 B1	11/2003	Cintron, Jr. et al.	9,179,734 B2	11/2015	Zsolcsak et al.
6,657,164 B1	12/2003	Koch	D746,097 S	12/2015	Davenport
D486,789 S	2/2004	Santiago	9,215,905 B2	12/2015	Tseng
6,701,639 B2	3/2004	Treptow et al.	D757,280 S	5/2016	Ogaki et al.
6,733,282 B2	5/2004	Long	D762,308 S	7/2016	Wang
6,770,848 B2	8/2004	Haas et al.	D773,681 S	12/2016	Elam et al.
6,840,955 B2	1/2005	Ein	D787,694 S *	5/2017	Baltazar ..... D24/206
6,841,757 B2	1/2005	Marega et al.	D791,201 S *	7/2017	Kim ..... D15/90
6,865,825 B2	3/2005	Bailey, Sr. et al.	D794,813 S *	8/2017	Zsolcsak ..... D24/206
7,022,093 B2	4/2006	Smith et al.	2003/0114902 A1	6/2003	Prescott
7,052,167 B2 *	5/2006	Vanderschuit ..... A61F 7/02 362/231	2003/0145494 A1	8/2003	Hsu
D528,075 S	9/2006	Sugeno et al.	2004/0210214 A1	10/2004	Knowlton
D533,016 S *	12/2006	Genslak ..... D7/363	2004/0211189 A1	10/2004	Arnold
D533,832 S	12/2006	Hock	2004/0244810 A1	12/2004	Henninger et al.
D534,307 S	12/2006	Vu	2005/0028401 A1	2/2005	Johnson
D534,308 S	12/2006	Vu	2005/0126049 A1	6/2005	Koenig
7,152,345 B2	12/2006	Koenig	2005/0193742 A1	9/2005	Arnold
7,161,056 B2 *	1/2007	Gudnason ..... A61F 13/0203 602/42	2005/0245852 A1 *	11/2005	Ellefson ..... A61K 9/703 602/2
D538,225 S	3/2007	Lyman et al.	2006/0163242 A1 *	7/2006	Ciancimino ..... A47J 37/0676 219/450.1
D538,226 S	3/2007	Lyman et al.	2006/0174521 A1	8/2006	Lee
D546,277 S	7/2007	Andre et al.	2006/0201025 A1	9/2006	Chou
7,244,253 B2	7/2007	Neev	2006/0230641 A1	10/2006	Vick et al.
D552,081 S	10/2007	Yano	2006/0235346 A1	10/2006	Prescott
D575,098 S *	8/2008	Seymour ..... D7/363	2006/0283050 A1	12/2006	Games et al.
7,497,037 B2	3/2009	Vick et al.	2007/0039201 A1	2/2007	Axinte
7,565,754 B1	7/2009	Acheson et al.	2007/0053212 A1	3/2007	Vieira Formenti
D598,163 S	8/2009	Overend et al.	2008/0016715 A1	1/2008	Vickroy
D598,164 S	8/2009	Overend et al.	2008/0069524 A1	3/2008	Yamauchi et al.
D602,432 S	10/2009	Moussa	2008/0077211 A1	3/2008	Levinson et al.
D602,597 S	10/2009	Nomi et al.	2008/0083720 A1	4/2008	Gentile et al.
D609,180 S	2/2010	Suzuki et al.	2008/0135537 A1	6/2008	Suber et al.
7,714,709 B1	5/2010	Daniel	2008/0197126 A1	8/2008	Bourke et al.
7,716,856 B2	5/2010	Seipel	2009/0013554 A1	1/2009	MacHer et al.
7,726,046 B2	6/2010	Portnell	2010/0192406 A1	8/2010	Au
7,823,302 B2	11/2010	Mann et al.	2010/0198322 A1	8/2010	Joseph et al.
D629,914 S *	12/2010	Hunter ..... D24/207	2010/0217363 A1 *	8/2010	Whitely ..... A61F 7/02 607/112
7,879,501 B2	2/2011	Schaevitz et al.	2011/0083339 A1	4/2011	Luo
D637,552 S	5/2011	Inman et al.	2011/0107771 A1	5/2011	Crist et al.
7,985,502 B2	7/2011	Abe et al.	2011/0259356 A1	10/2011	Barton et al.
D642,517 S	8/2011	Inman et al.	2011/0296714 A1	12/2011	Holzer
D643,674 S *	8/2011	Lee ..... D7/362	2011/0306299 A1	12/2011	Wells
D651,343 S	12/2011	Robson	2012/0005919 A1	1/2012	Chen
8,074,373 B2	12/2011	Macher et al.	2012/0240955 A1	9/2012	Kennedy et al.
8,084,722 B2	12/2011	Haas et al.	2013/0019503 A1	1/2013	Vogt
D654,429 S	2/2012	Li et al.	2013/0085421 A1	4/2013	Gillespie et al.
D658,330 S	4/2012	Yue	2013/0116759 A1	5/2013	Levinson et al.
D660,798 S	5/2012	Tseng	2013/0139605 A1	6/2013	Burke et al.
8,273,485 B2	9/2012	Schaevitz et al.	2013/0174451 A1	7/2013	Kremer et al.
D672,500 S	12/2012	Kim	2013/0181662 A1	7/2013	Shapiro
D672,501 S	12/2012	Kim	2013/0213147 A1	8/2013	Rice et al.
8,384,551 B2	2/2013	Ross et al.	2013/0244074 A1	9/2013	Kremer et al.
8,389,909 B2	3/2013	Wang et al.	2013/0247410 A1	9/2013	Tseng
8,397,518 B1	3/2013	Vistakula	2014/0059894 A1	3/2014	Lupinek et al.
D682,195 S	5/2013	Aglassinger	2014/0076349 A1	3/2014	Deng
D685,729 S	7/2013	Lyman	2014/0182162 A1	7/2014	Hakkala
D686,157 S	7/2013	Kawase et al.	2014/0182163 A1	7/2014	Krupenkin et al.
D687,558 S	8/2013	Sonoda	2014/0222173 A1	8/2014	Giedwoyn et al.
8,510,969 B2	8/2013	Luo	2014/0277632 A1	9/2014	Walker
D689,019 S	9/2013	Sato et al.	2015/0142088 A1 *	5/2015	Riva Godoy ..... A61F 7/03 607/108
D690,022 S	9/2013	Sonoda	2015/0335121 A1	11/2015	Floessholzer et al.
D694,176 S	11/2013	Buetow et al.			
D696,549 S	12/2013	Pennington			
D698,313 S	1/2014	Buetow et al.			
D698,489 S	1/2014	Byun			
8,638,958 B2	1/2014	Wells			
D698,931 S	2/2014	Wang			
D699,178 S	2/2014	Ashida et al.			
D699,179 S	2/2014	Alexander			
D700,135 S	2/2014	Sato et al.			
8,658,943 B1	2/2014	Larsen et al.			
8,715,329 B2	5/2014	Robinson et al.			
8,777,441 B2	7/2014	Vazquez			
D713,048 S *	9/2014	Ogaki ..... D24/200			
8,850,716 B2	10/2014	Whitehead et al.			
8,869,428 B1	10/2014	Zsolcsak et al.			
8,869,429 B1	10/2014	Zsolcsak et al.			

## FOREIGN PATENT DOCUMENTS

CN	2281677	5/1998
CN	2515992 Y	10/2002
CN	101641027 A	2/2010
CN	201806017 U	4/2011
CN	201976877 U	9/2011
DE	3904603 A1	8/1990
DE	20317143 U1	4/2004
DE	10352050 A1	12/2004
DE	102008029727 A1	12/2009
EP	0251084 A2	1/1988

EP	0854696	B1	7/1998
EP	1820247	A2	8/2007
EP	2215918	A2	8/2010
KR	20-0273770		4/2002
KR	100539710	B1	12/2005
KR	2009-0117205	A	11/2009
WO	2006054080	A2	5/2006
WO	2006/111823	A1	10/2006
WO	2008/006731	A1	1/2008
WO	2008/069254	A1	6/2008
WO	2008/069524	A1	6/2008
WO	2011057142	A2	5/2011
WO	2013/101920	A1	7/2013
WO	2013119199	A1	8/2013
WO	2014064518	A2	5/2014

OTHER PUBLICATIONS

“Introducing the New Thermacell Heat Packs”, <www.petersenshunting.com/shot-show-2015/introducing-new-thermacell-heat-packs/>, Published Feb. 9, 2015, Retrieved on Sep. 25, 2015.

“New for 2015—ThermaCELL Heat Packs for Rechargeable Warmth Wherever You Need It”, <http://www.ammoland.com/2015/03/new-for-2015-thermacell-heat-packs-for-rechargeable-warmth-wherever-needed/#axzz3gRpAQM>, Published Mar. 12, 2015, Retrieved on Sep. 25, 2015.

“ThermaCELL Announces new Rechargeable Heat Packs” <http://www.americanhunter.org/articles/2015/4/22/thermacell-announces-new-rechargeable-heat-packs/>, Published Apr. 22, 2015, Retrieved on Sep. 25, 2015.

“ThermaCELL Heat Packs for Rechargeable Warmth Wherever Needed”, <http://huntinglife.com/thermacell-heat-packs-for-rechargeable-warmth-wherever-needed/>, Published Mar. 16, 2015, Retrieved on Sep. 25, 2015.

“Thermacell HeatPacks—New Rechargeable Warmers” <www.bowhunting.com/news/2015/03/12/thermacell-heatpacks-new-rechargeable-warmers/>, Published Mar. 12, 2015, Retrieved on Sep. 25, 2015.

“Thermacell HeatPacks—New Rechargeable Warmers”, <http://www.huntingnetwork.com/publisher/Hunting-News/2015/3/12/Thermacell-HeatPacks—New-Rechargeable-Warmers>, Published Mar. 12, 2015, Retrieved on Sep. 25, 2015.

International Preliminary Report on Patentability, dated Mar. 9, 2017 for International Application No. PCT/US2015/38801 (7 Pages).

International Search Report and Written Opinion for International application No. PCT/US12/23986 filed Feb. 2, 2012 and dated May 23, 2012, (7 pages).

International Search Report and Written Opinion for International application No. PCT/U52014/072718 filed Dec. 30, 2014 and dated Apr. 28, 2015, (10 pages).

International Search Report and Written Opinion for International Application No. PCT/US2015/038801 dated Oct. 6, 2015 (11 Pages).

International Search Report and Written Opinion, dated Apr. 22, 2013, for International Patent Application No. PCT/U52012/071797, filed Dec. 27, 2012, (9 pages).

International Search Report and Written Opinion, dated Sep. 3, 2014, for International Patent Application No. PCT/U52014/033499, filed Apr. 9, 2014, (10 pages).

International Search Report and Written Opinion of the International Search Authority, dated Feb. 25, 2016 for International Application No. PCT/US2015/062458 (12 Pages).

International Search Report and Written Opinion of the International Searching Authority, dated Oct. 4, 2016 for International Application No. PCT/US2016/032891 (17 Pages).

Invitation and Partial International Search Report, dated Aug. 8, 2016 for International Application No. PCT/US2016/032891 (6 Pages).

Kenisarin et al., 2007, Solar energy storage using phase change materials, Renewable and Sustainable Energy Reviews, 11(9):1913-1965.

Sharma et al., 2009, Review on thermal energy storage with phase change materials and applications, Renewable and Sustainable Energy Reviews, 13(2):318-345.

Extended European Search Report, dated Jun. 29, 2017 for European Application No. 14866929.4 (7 Pages).

\* cited by examiner

Primary Examiner — Elizabeth J Oswecki  
(74) Attorney, Agent, or Firm — Brown Rudnick LLP

(57) CLAIM

The ornamental design for a heat pack, as shown and described.

DESCRIPTION

FIG. 1 is a front perspective view of a heat pack showing our new design;

FIG. 2 is a front view thereof;

FIG. 3 is a back view thereof;

FIG. 4 is a bottom view thereof;

FIG. 5 is a top view thereof;

FIG. 6 is a left side view thereof;

FIG. 7 is a right side view thereof; and,

FIG. 8 is a back perspective view thereof.

The drawings are dotted in FIGS. 3 and 8 to show features of the heat pack having a contrasting material, surface texture, color, or any combination thereof as compared to other features of the heat pack.

1 Claim, 8 Drawing Sheets

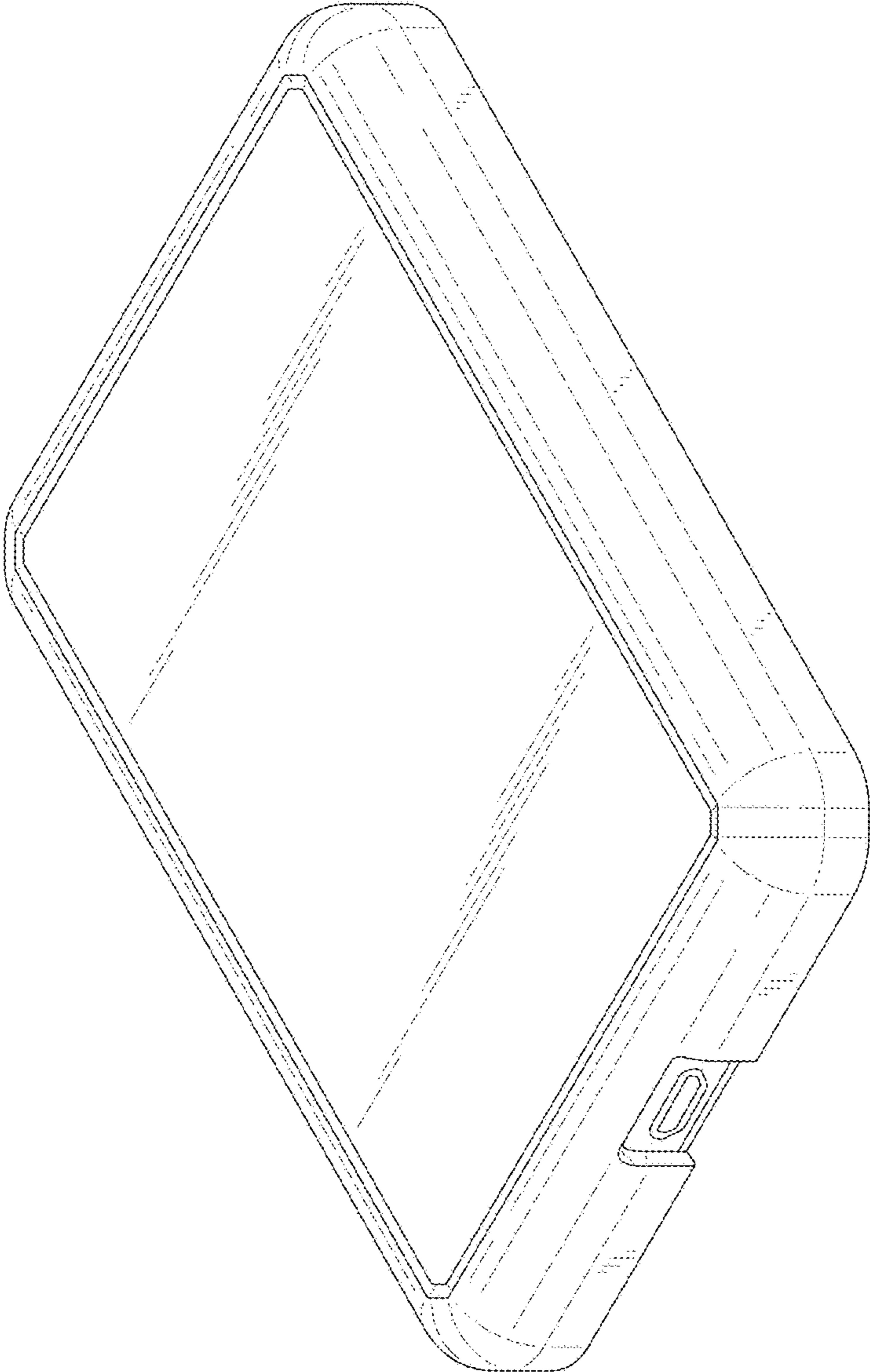


FIG. 1

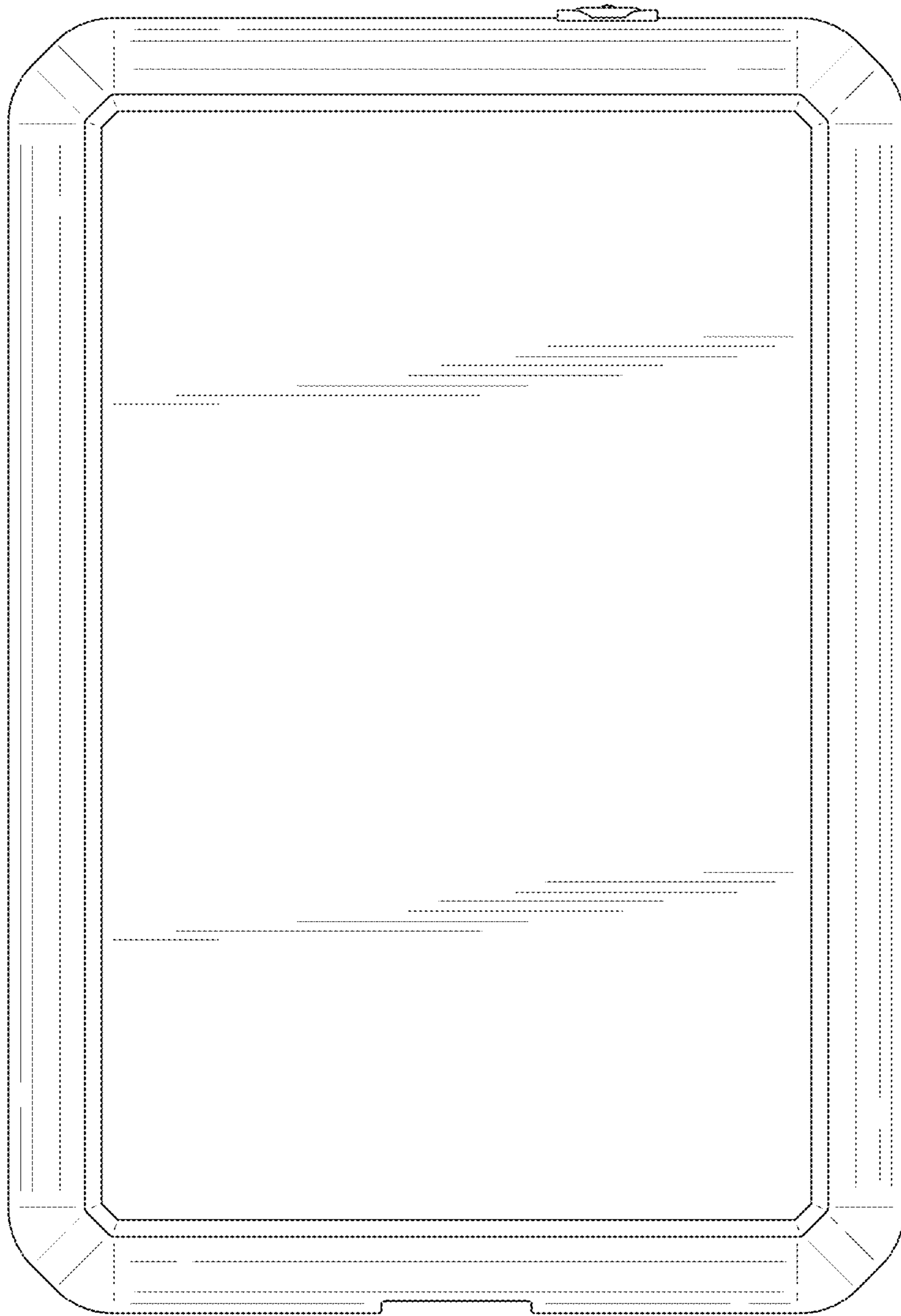


FIG. 2

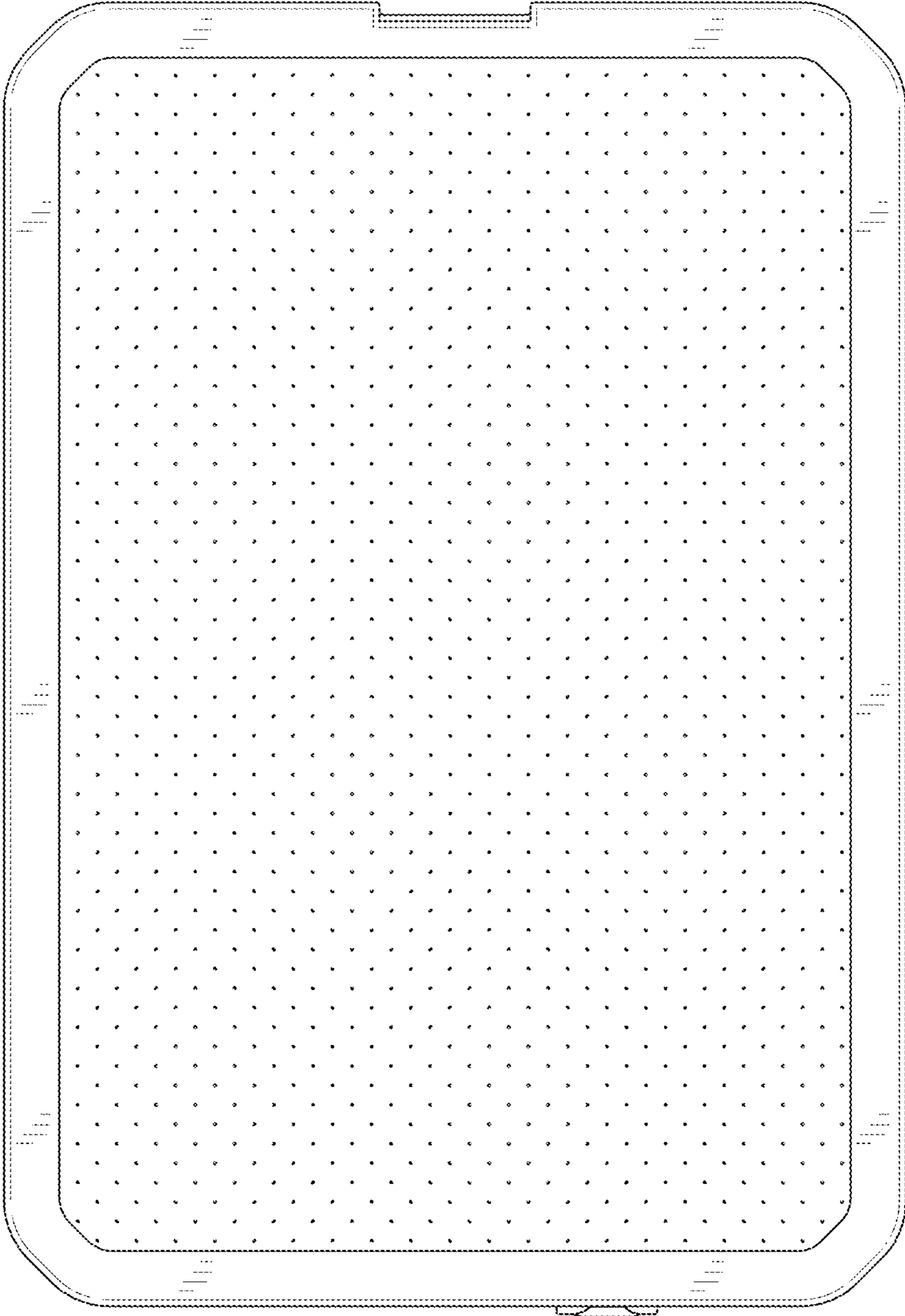


FIG. 3

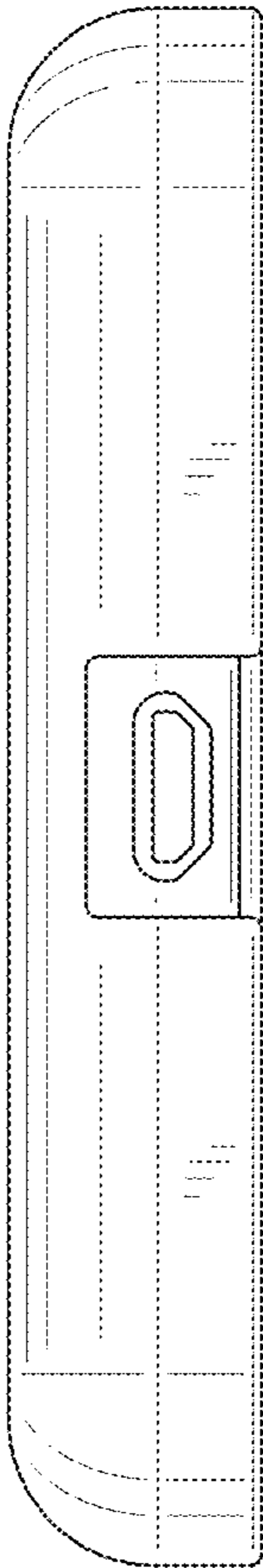


FIG. 4

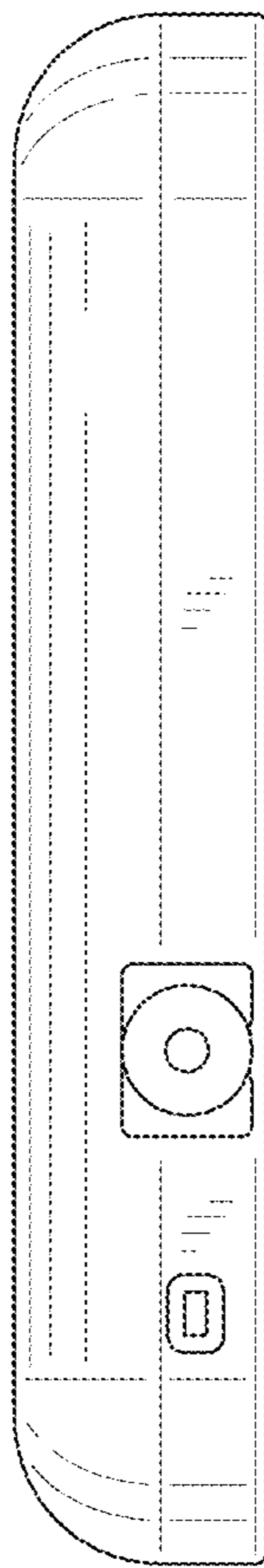


FIG. 5



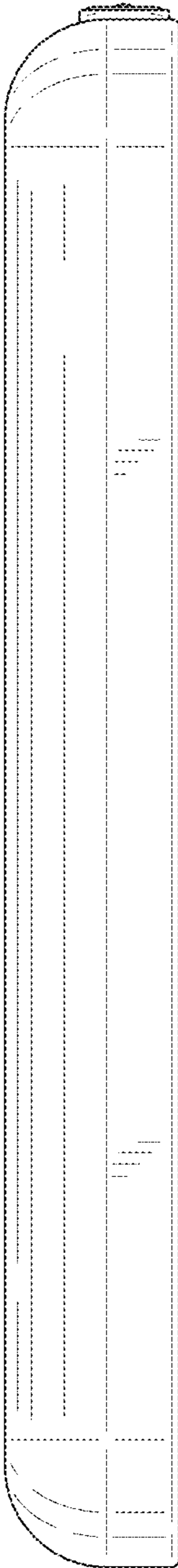


FIG. 6

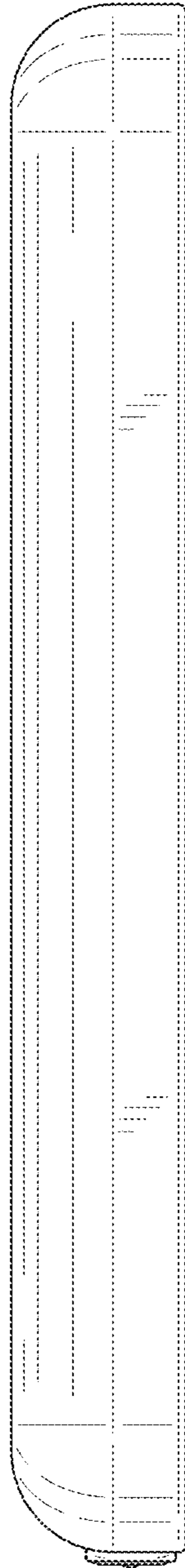


FIG. 7

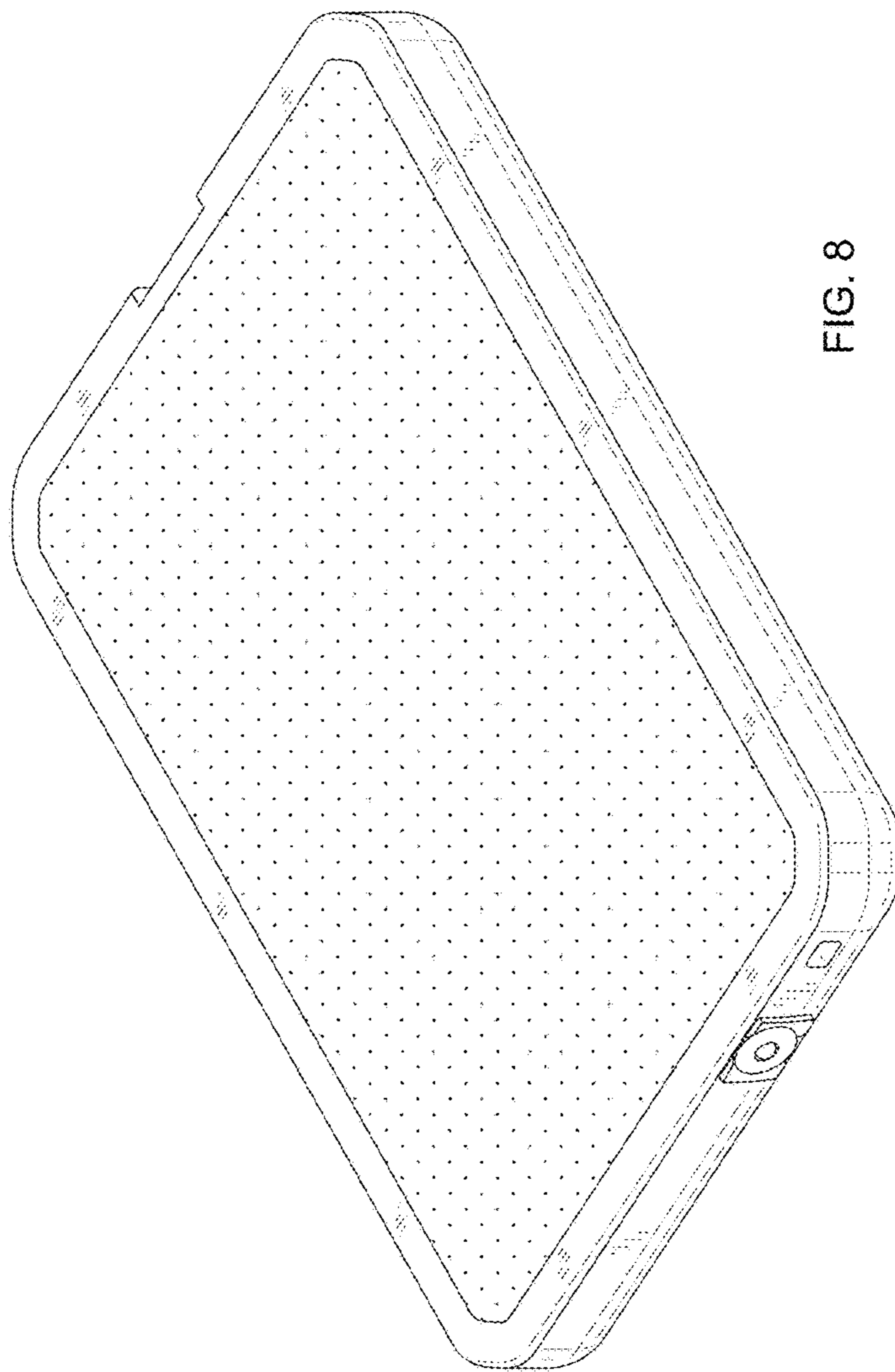


FIG. 8