



US00D801623S

(12) **United States Design Patent**
Wang

(10) **Patent No.:** **US D801,623 S**

(45) **Date of Patent:** **** Nov. 7, 2017**

(54) **PET FOOD**

(71) Applicant: **Mars, Incorporated**, McLean, VA (US)

(72) Inventor: **Yvonne Wang**, Franklin, TN (US)

(73) Assignee: **MARS, INCORPORATED**, McLean, VA (US)

(**) Term: **15 Years**

(21) Appl. No.: **29/557,825**

(22) Filed: **Mar. 11, 2016**

(51) **LOC (10) Cl.** **01-01**

(52) **U.S. Cl.**

USPC **D1/127**

(58) **Field of Classification Search**

USPC D1/100-130, 199; 426/5, 76, 87, 92, 94,
426/95, 99, 101, 103, 108, 138-139, 143,
426/144, 279, 282, 283, 391, 514, 549,
426/660; D13/100; D24/101-104;
D28/8.1, 8.2; 424/467; 425/195;
34/296; D6/601

CPC .. A61K 9/2072; A61K 9/0004; A61K 9/2095;
A61K 9/209

See application file for complete search history.

(56) **References Cited**

U.S. PATENT DOCUMENTS

D217,891 S *	6/1970	Koenigsberg	D28/8.1
D260,691 S *	9/1981	Hines	D28/8.1
D272,848 S *	2/1984	Koziol	D11/89
D285,729 S *	9/1986	Tovey	D24/101
D286,450 S *	10/1986	Tovey	D24/101
D296,193 S *	6/1988	Keeler	D9/435
D300,673 S *	4/1989	Rhoa	D24/101
D302,481 S *	7/1989	Miller	D24/103
D316,914 S *	5/1991	Withington	D24/101
D331,280 S *	11/1992	Tovey	D24/101
D346,442 S *	4/1994	Kramer	D24/101
D374,640 S *	10/1996	Shryock	D11/143

D375,549 S *	11/1996	Sauer	D24/101
D376,644 S *	12/1996	Dickinson	D24/101
D407,463 S *	3/1999	Outlaw	D23/207
D414,895 S *	10/1999	Olson	D1/100

(Continued)

Primary Examiner — Garth Rademaker

Assistant Examiner — Katie Stofko

(74) *Attorney, Agent, or Firm* — Arent Fox LLP

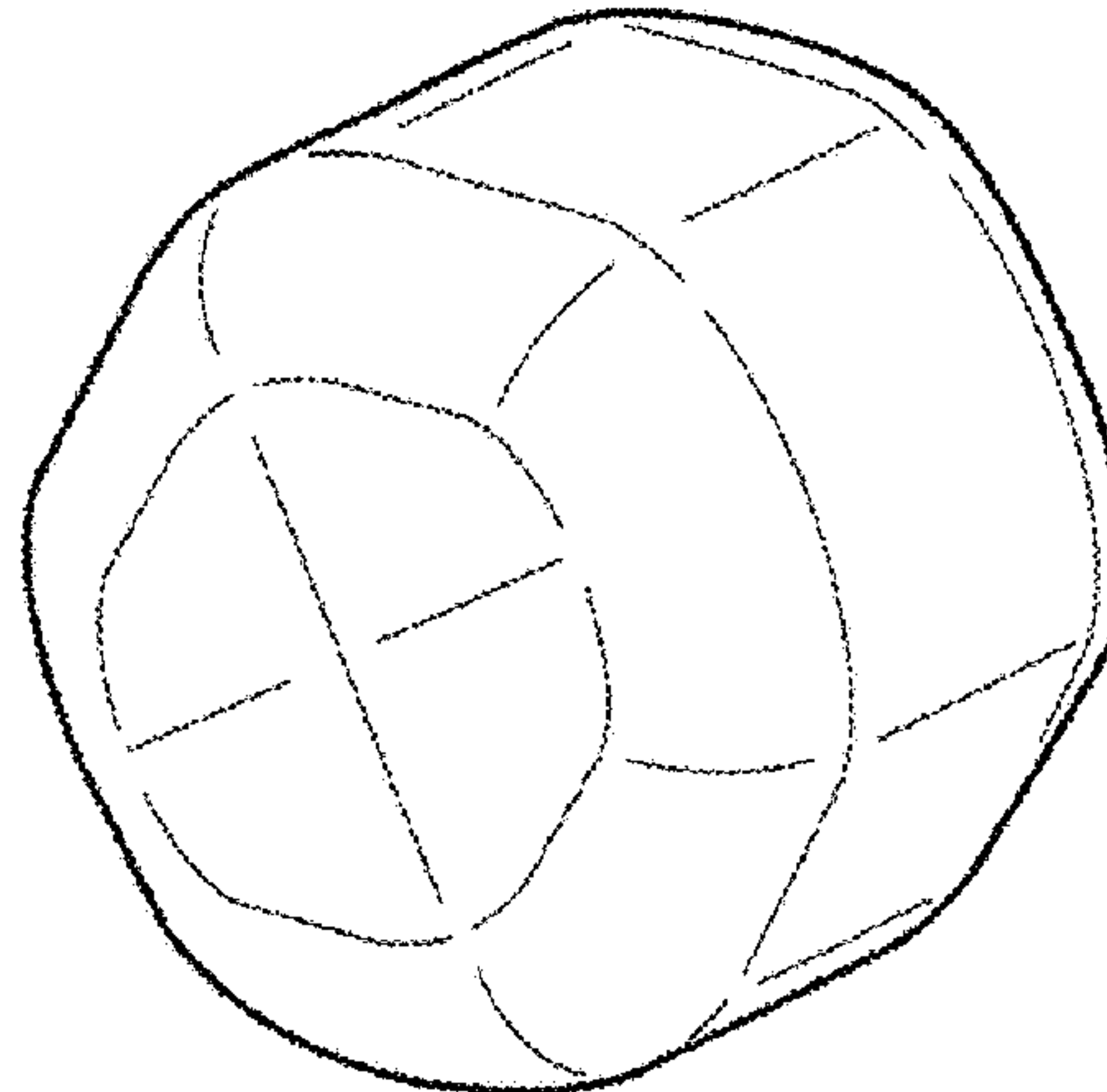
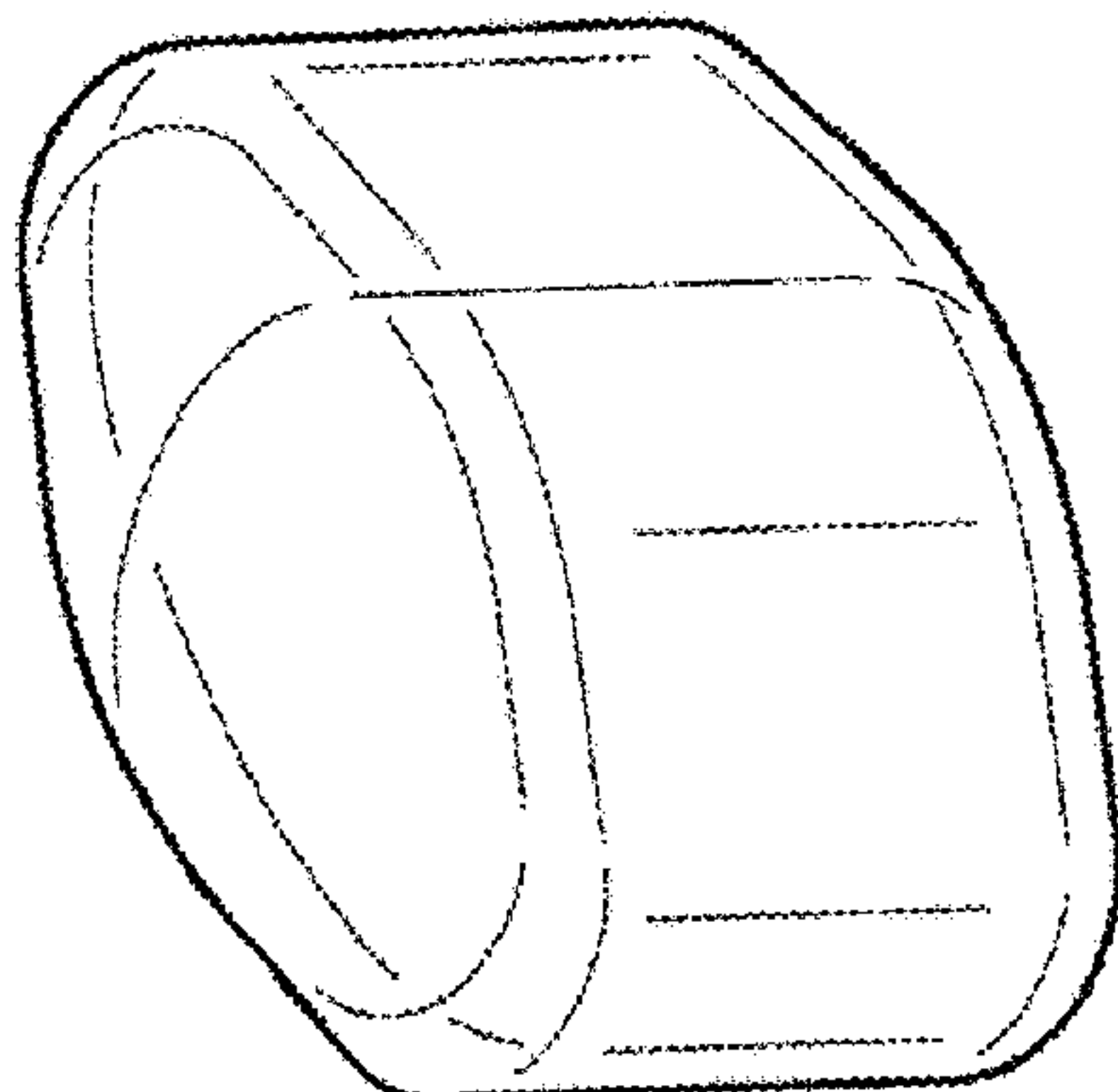
(57) **CLAIM**

The ornamental design for a pet food, as shown and described.

DESCRIPTION

FIG. 1 is a perspective view of a first embodiment of a pet food showing our new design;
 FIG. 2 is a front view of the design shown of FIG. 1, the back being a mirror image thereof;
 FIG. 3 is a left side view of the design shown of FIG. 1, the right side view being a mirror image thereof;
 FIG. 4 is a top view of the design shown of FIG. 1, the bottom view being a mirror image thereof;
 FIG. 5 is a perspective view of a second embodiment of a pet food showing our new design;
 FIG. 6 is a front view of the design shown of FIG. 5, the back being a mirror image thereof;
 FIG. 7 is a left side view of the design shown of FIG. 5, the right side view being a mirror image thereof;
 FIG. 8 is a top view of the design shown of FIG. 5, the bottom view being a mirror image thereof;
 FIG. 9 is a perspective view of a third embodiment of a pet food showing our new design;
 FIG. 10 is a front view of the design shown of FIG. 9, the back being a mirror image thereof;
 FIG. 11 is a left side view of the design shown of FIG. 9, the right side view being a mirror image thereof; and,
 FIG. 12 is a top view of the design shown of FIG. 9, the bottom view being a mirror image thereof.

1 Claim, 3 Drawing Sheets



(56)

References Cited

U.S. PATENT DOCUMENTS

D419,262 S *	1/2000	Klaers	D28/8.1
D420,464 S *	2/2000	Binstock	D28/8.1
D428,668 S *	7/2000	Binstock	D28/8.1
D443,688 S *	6/2001	Holland	D24/101
D510,174 S *	10/2005	Richey	D1/127
D748,240 S *	1/2016	Goode	D24/101

* cited by examiner

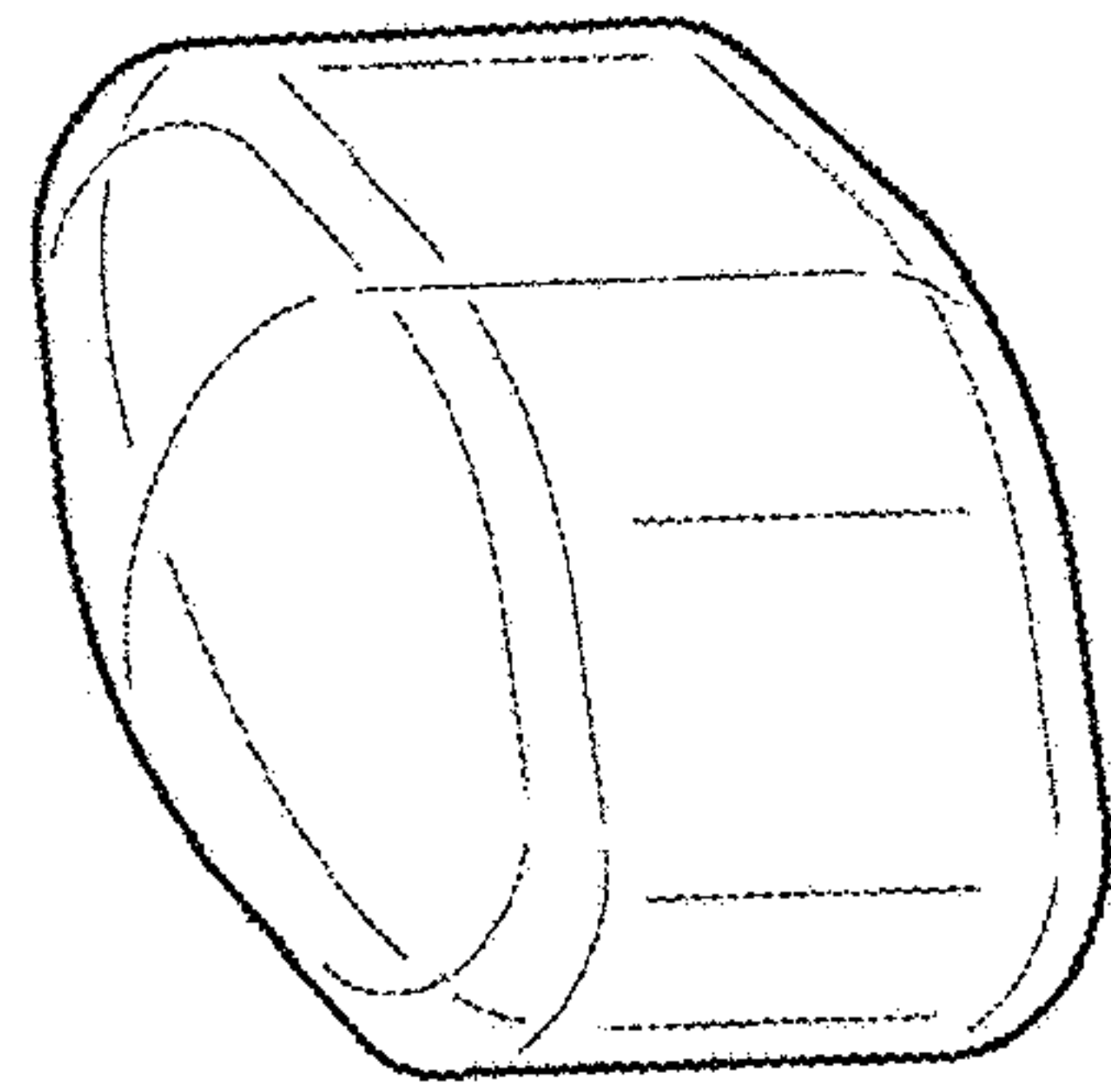


FIG. 1

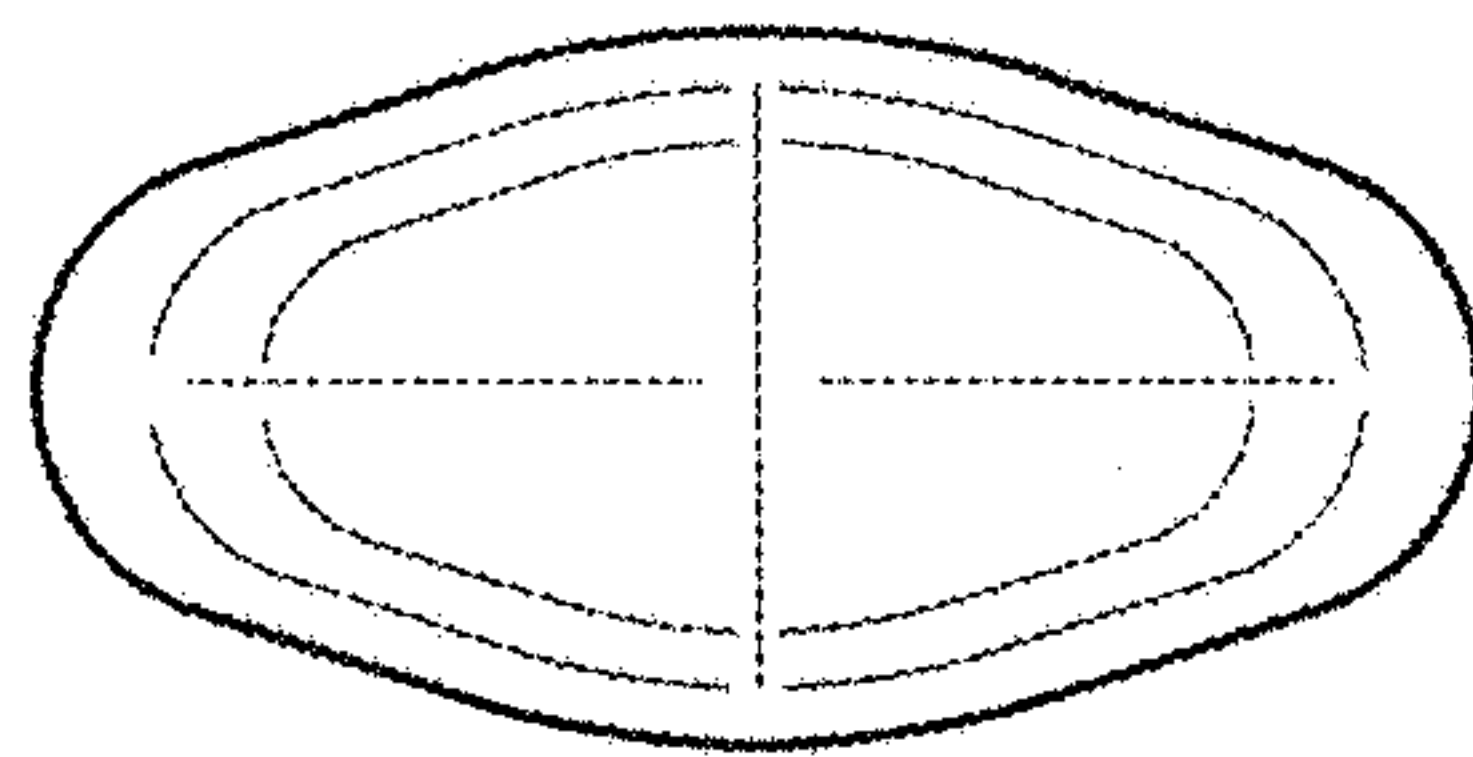


FIG. 2

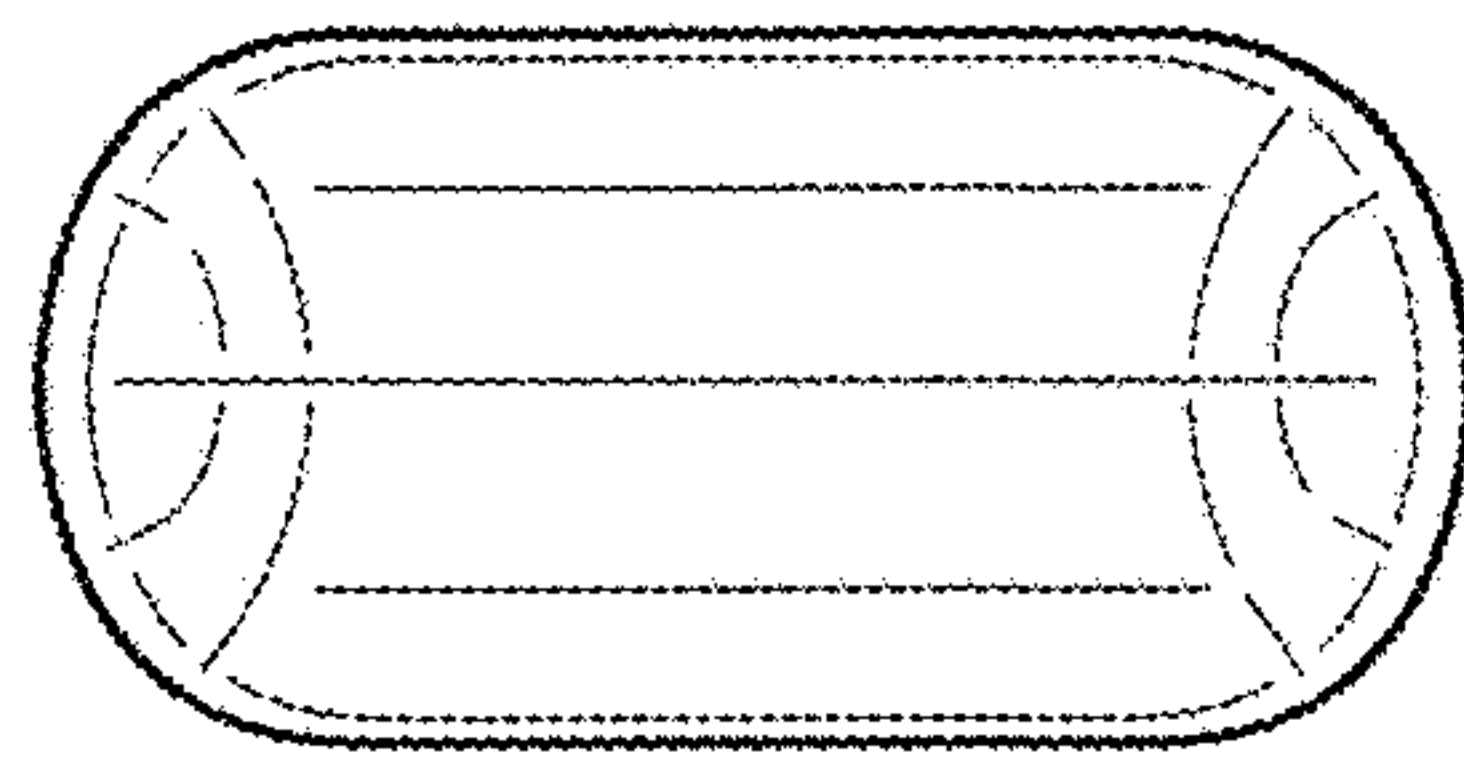


FIG. 3

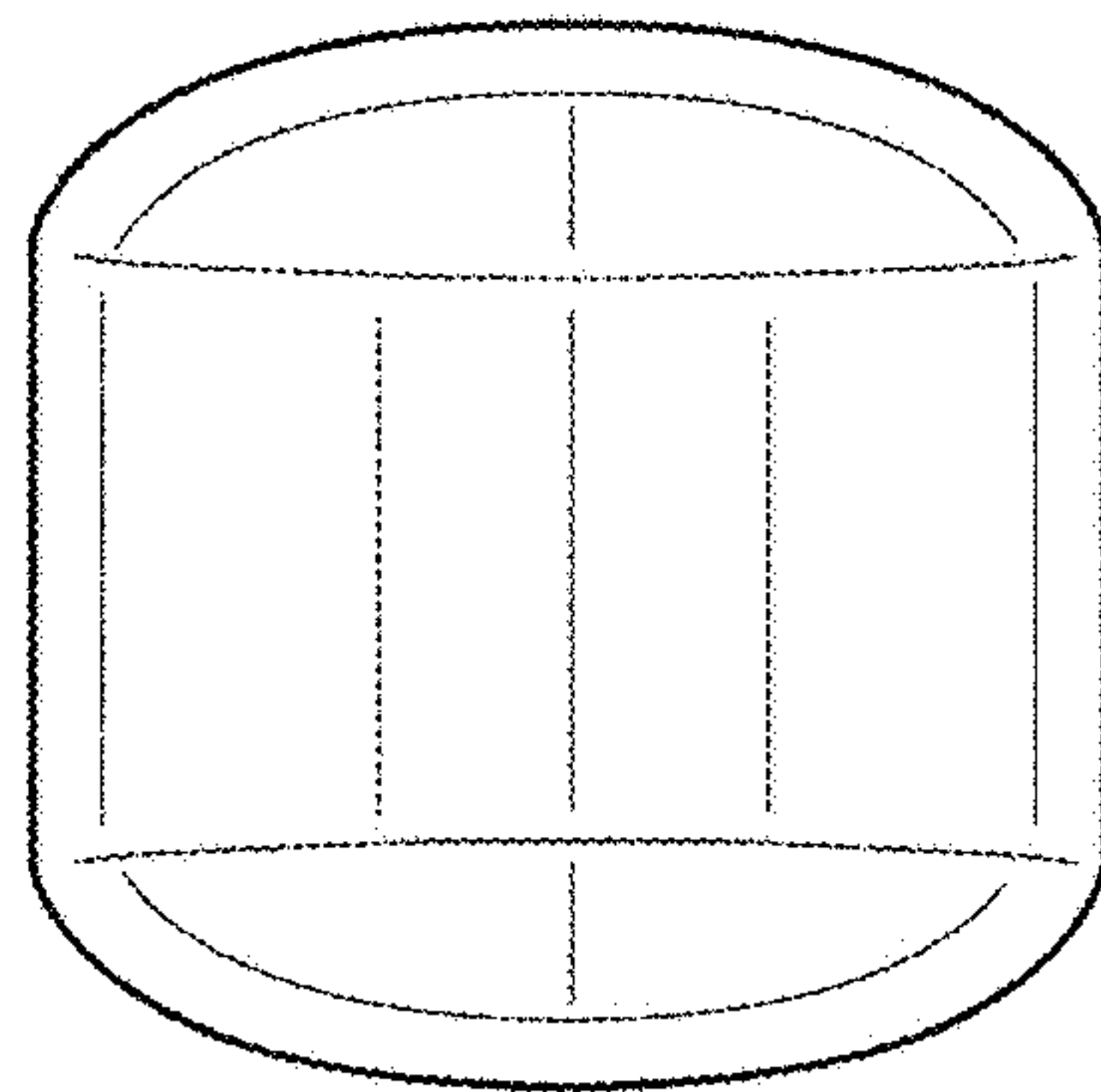


FIG. 4

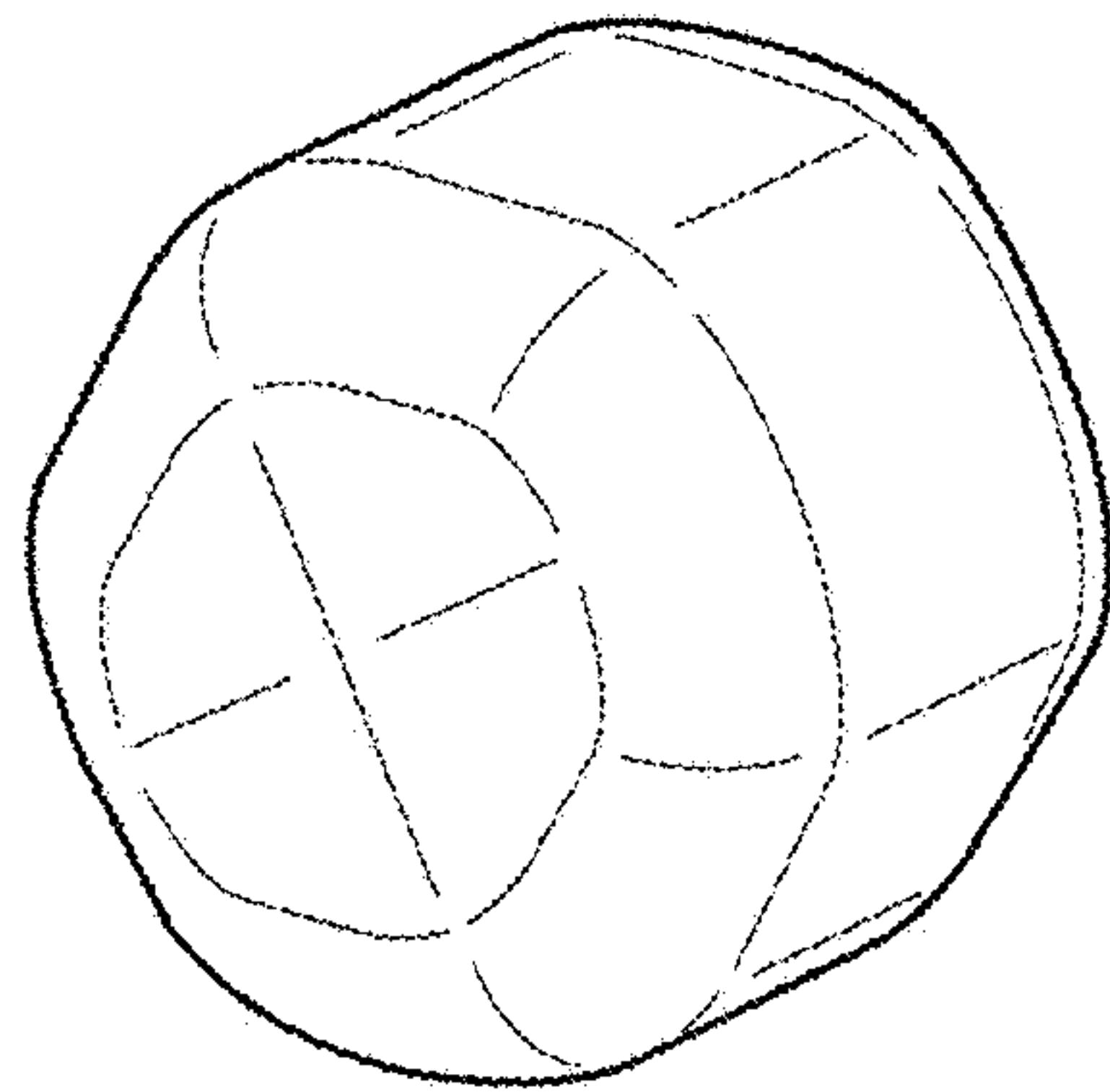


FIG. 5

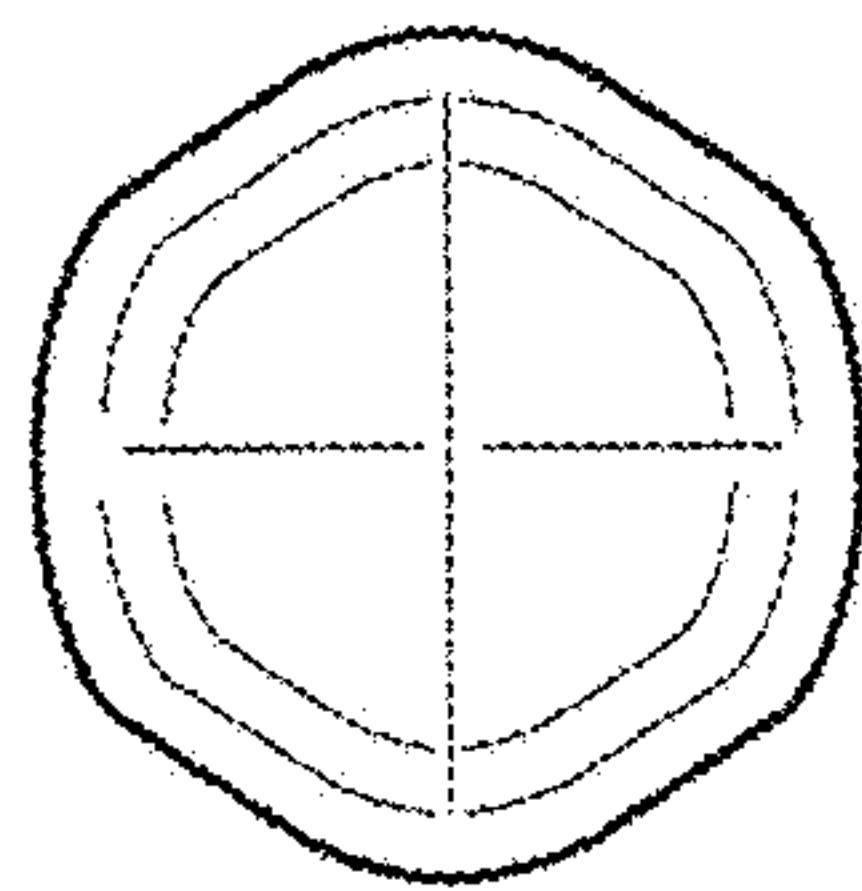


FIG. 6

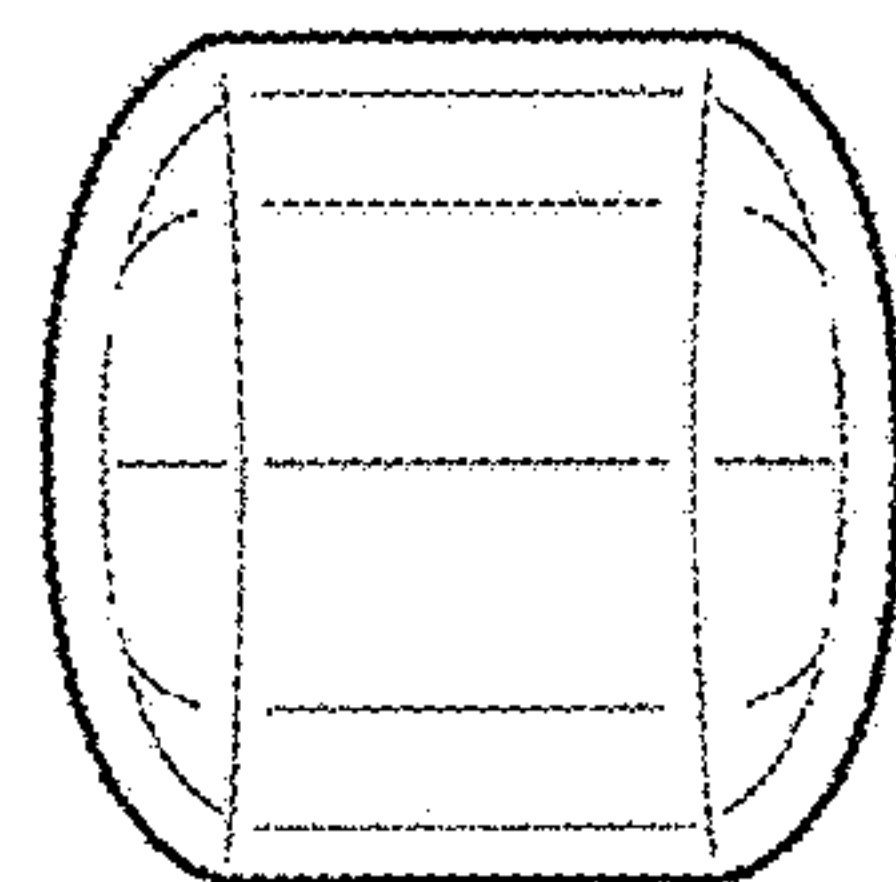


FIG. 7

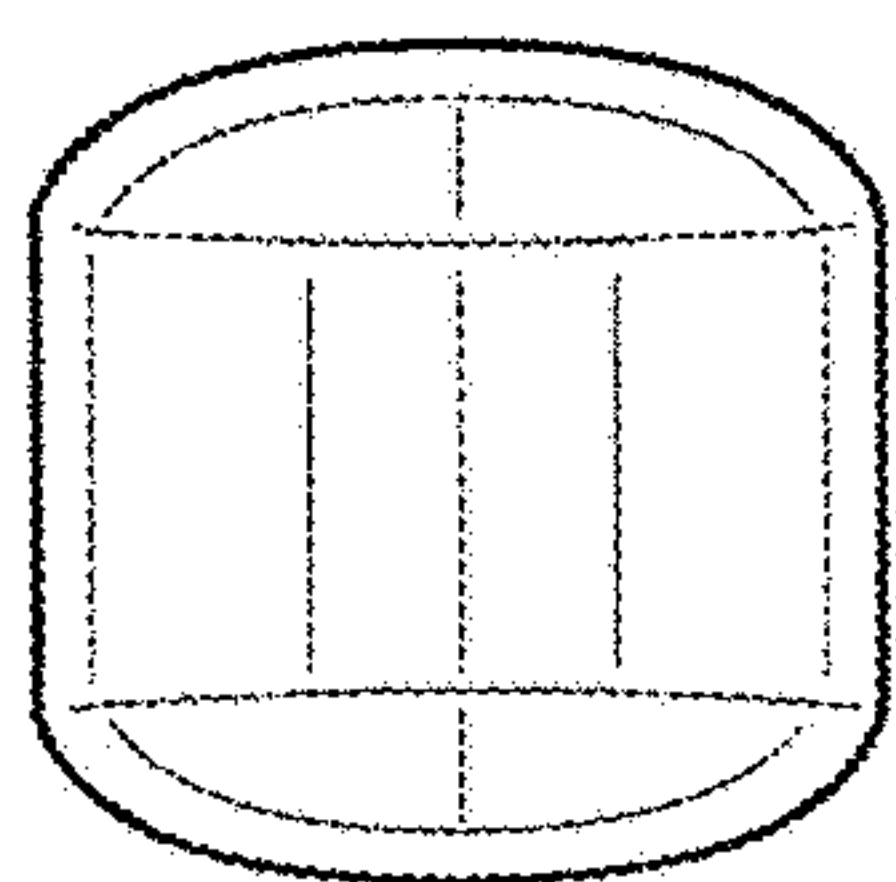


FIG. 8

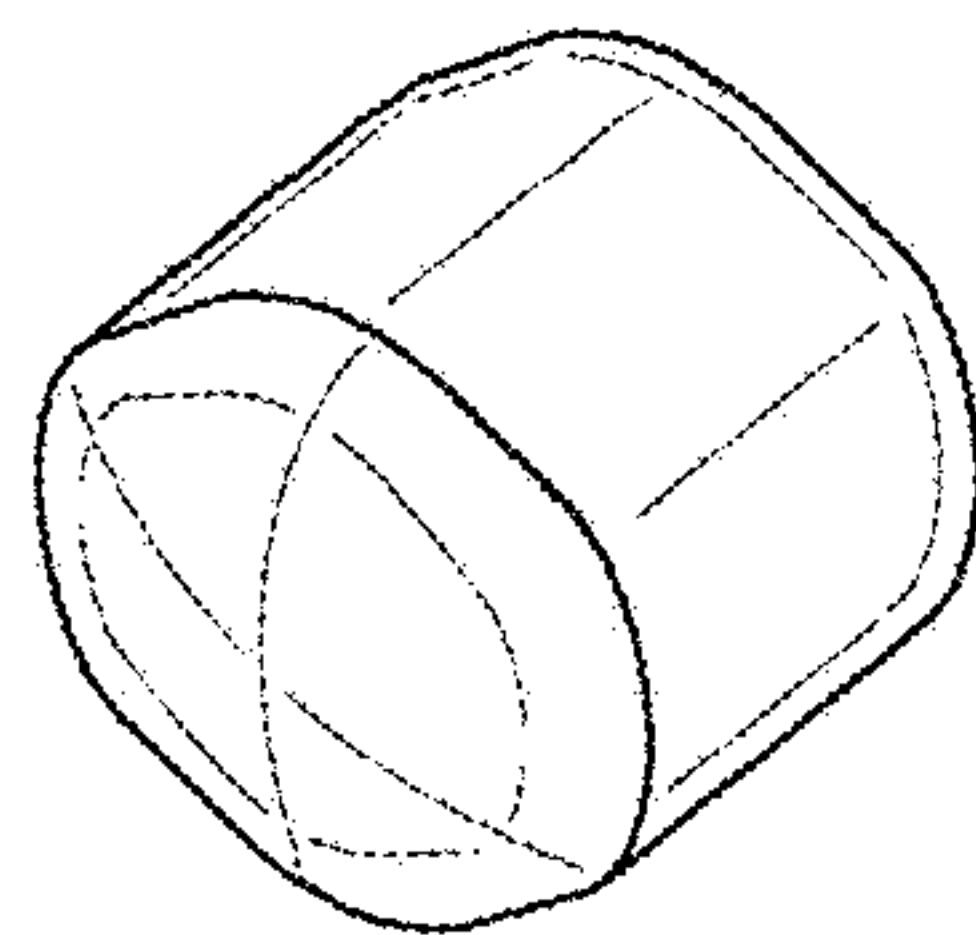


FIG. 9

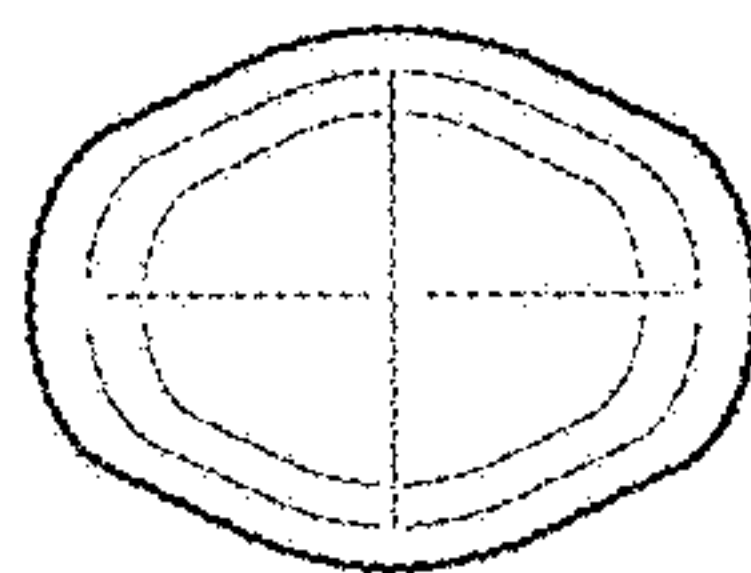


FIG. 10

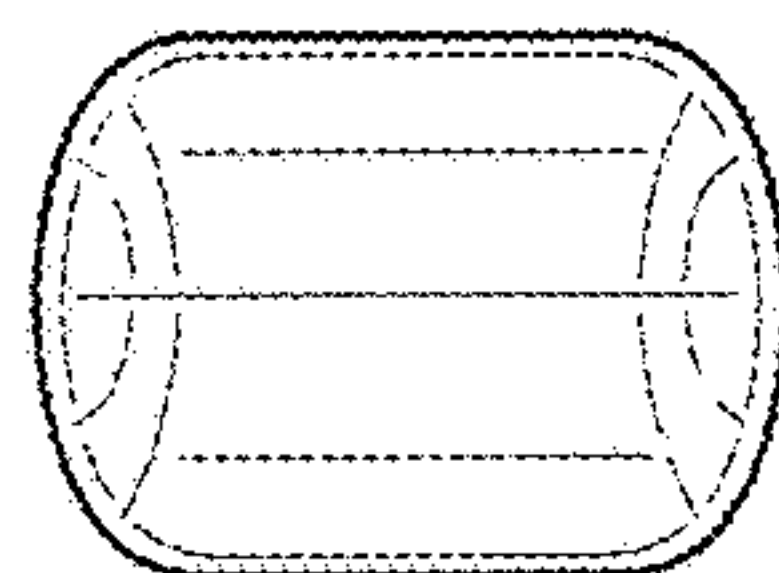


FIG. 11

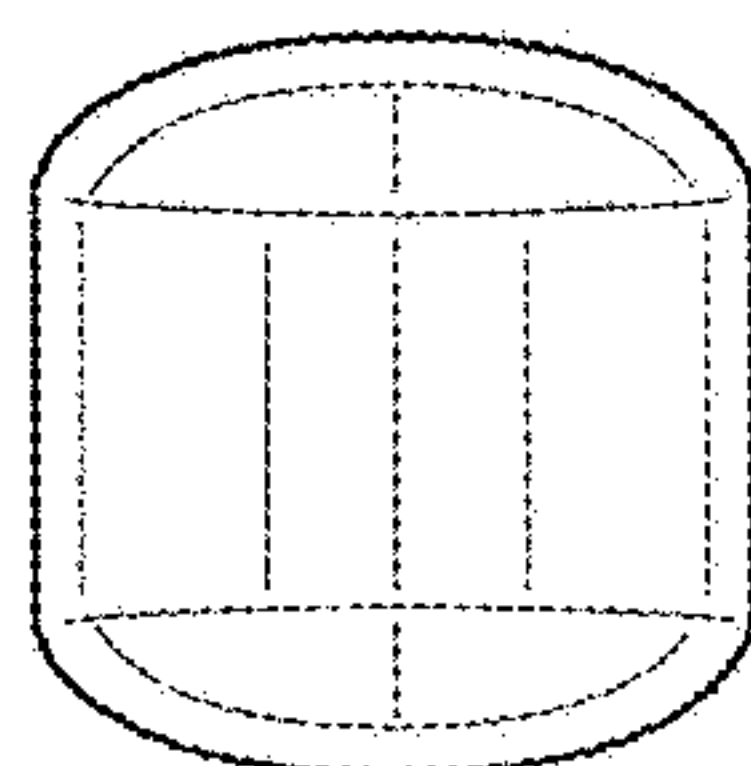


FIG. 12