



US00D801619S

(12) **United States Design Patent**
Bettcher, III et al.

(10) **Patent No.:** **US D801,619 S**

(45) **Date of Patent:** **** Oct. 31, 2017**

(54) **VERTICAL CHANNEL VEHICLE LIFT ARM**

(71) Applicant: **The Braun Corporation**, Winamac, IN
(US)

(72) Inventors: **Robert E. Bettcher, III**, Winamac, IN
(US); **Justin M. Kline**, Westfield, IN
(US); **Steven Visser**, West Lafayette, IN
(US); **Yingxiao Cao**, West Lafayette,
IN (US)

(73) Assignee: **The Braun Corporation**, Winamac, IN
(US)

(**) Term: **15 Years**

(21) Appl. No.: **29/566,196**

(22) Filed: **May 27, 2016**

(51) **LOC (10) Cl.** **12-05**

(52) **U.S. Cl.**
USPC **D34/35**

(58) **Field of Classification Search**
USPC D34/28, 31, 33, 35; 414/546, 921, 539,
414/540, 545, 556, 558; 187/222
CPC B62B 3/02; B66F 5/02; B60B 2380/50
See application file for complete search history.

(56) **References Cited**

U.S. PATENT DOCUMENTS

D310,747 S *	9/1990	Isogai	D34/28
6,065,924 A *	5/2000	Budd	A61G 3/06
				414/546
6,203,266 B1 *	3/2001	Savaria	B60P 1/4457
				414/540
7,290,975 B2 *	11/2007	Richard	B60P 1/4471
				414/539
7,422,408 B2 *	9/2008	Sobota	A61G 3/06
				414/546
D708,412 S *	7/2014	Bruns	D34/33

2006/0233632 A1* 10/2006 Hayes A61G 3/062
414/546
2007/0217898 A1* 9/2007 Goodrich F15B 11/044
414/539
2007/0224025 A1* 9/2007 Ablabutyan B60P 1/4442
414/546

(Continued)

Primary Examiner — Cynthia Ramirez
Assistant Examiner — Michael Maharajh
(74) *Attorney, Agent, or Firm* — Taft Stettinius &
Hollister, LLP; Ryan O. White

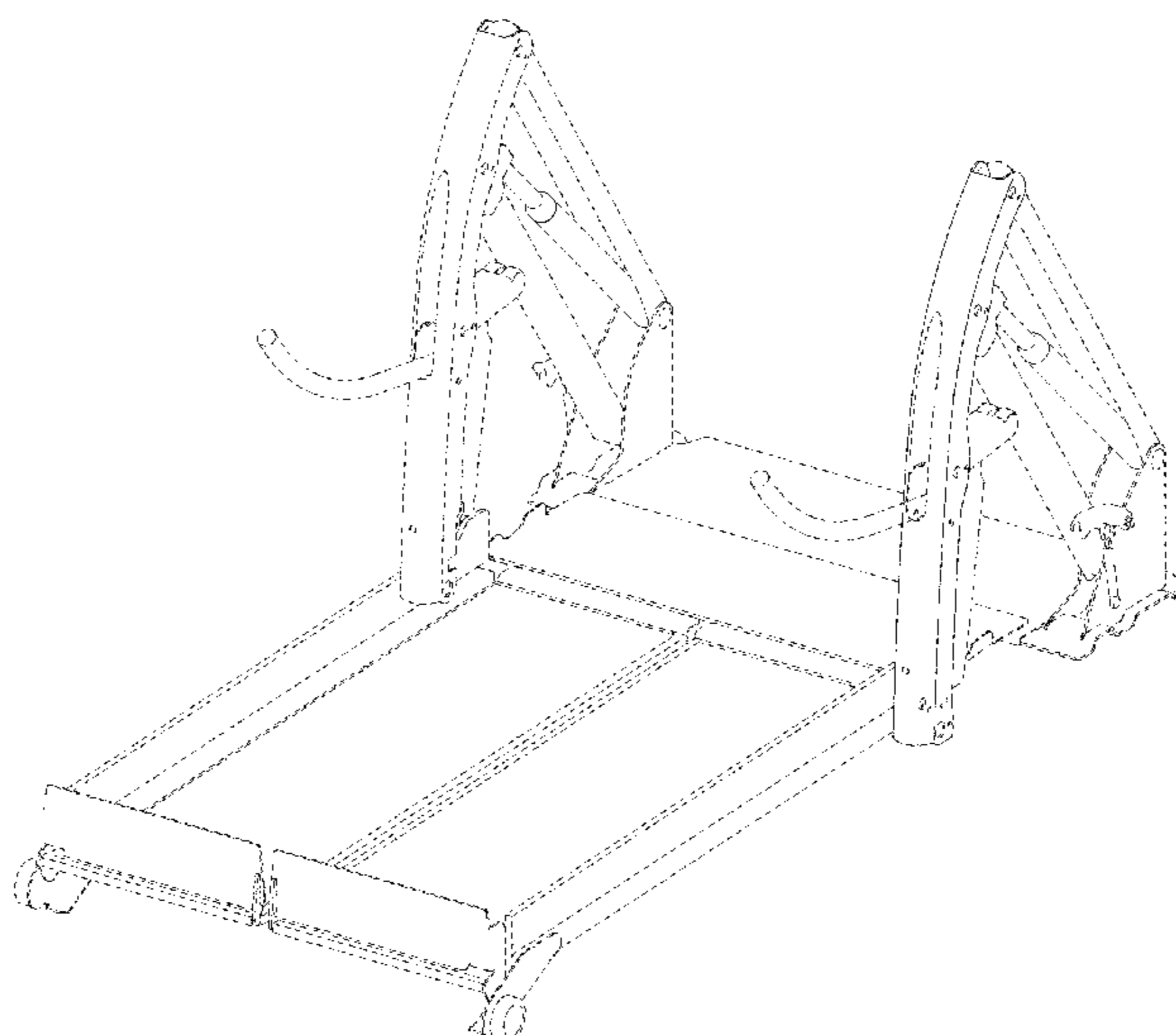
(57) **CLAIM**

The ornamental design for the vertical channel vehicle lift arm, as shown and described.

DESCRIPTION

FIG. 1 is a front perspective view of a vertical channel vehicle lift arm, showing our new design.
FIG. 2 is a front perspective view of the vertical channel vehicle lift arm of FIG. 1.
FIG. 3 is a rear perspective view of the vertical channel vehicle lift arm of FIG. 1.
FIG. 4 is a front view of the vertical channel vehicle lift arm of FIG. 1.
FIG. 5 is a rear view of the vertical channel vehicle lift arm of FIG. 1.
FIG. 6 is a left perspective side view of the vertical channel vehicle lift arm of FIG. 1.
FIG. 7 is a right perspective side view of the vertical channel vehicle lift arm of FIG. 1.
FIG. 8 is a top view of the vertical channel vehicle lift arm of FIG. 1; and,
FIG. 9 is a bottom view of the vertical channel vehicle lift arm of FIG. 1.
The broken lines showing a ramp and elements of a ramp in FIG. 1 are for the purpose of showing environmental structure and form no part of the claimed design. The broken lines in FIGS. 2 through 9 are for the purpose of showing portions the vertical channel vehicle lift arm and form no part of the claimed design.

1 Claim, 5 Drawing Sheets



(56)

References Cited

U.S. PATENT DOCUMENTS

2013/0251488 A1* 9/2013 Bruns A61G 3/062
414/546
2013/0251489 A1* 9/2013 Bruns A61G 3/062
414/546
2014/0377047 A1* 12/2014 Galligani A61G 3/062
414/546

* cited by examiner

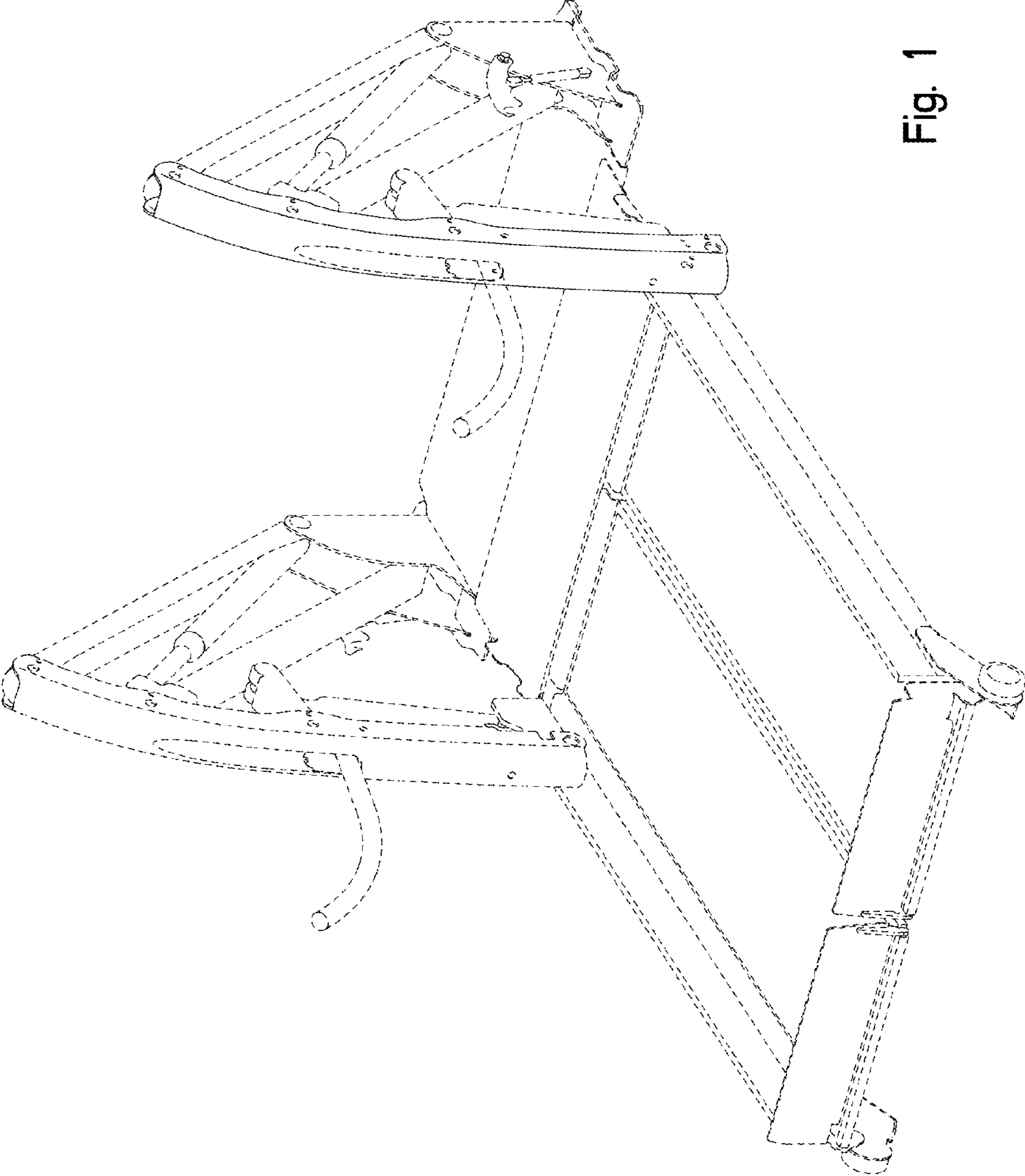


Fig. 1

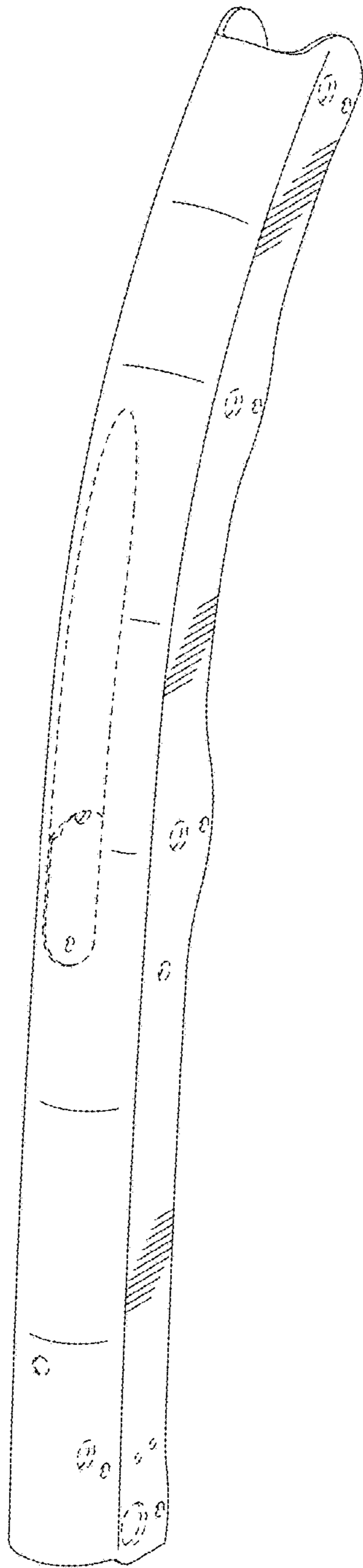


Fig. 2

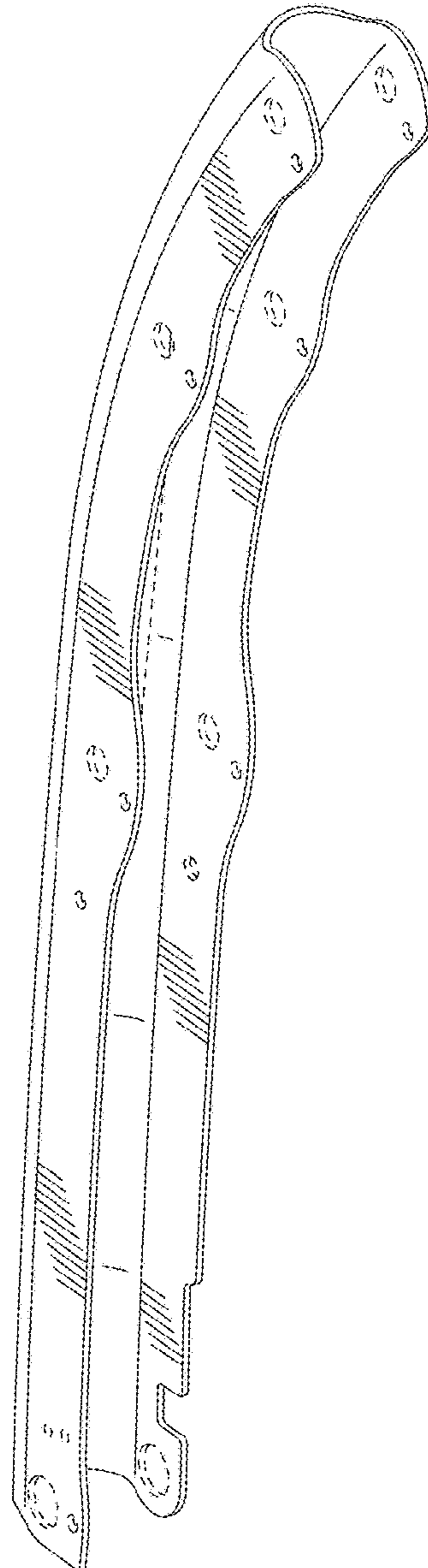


Fig. 3

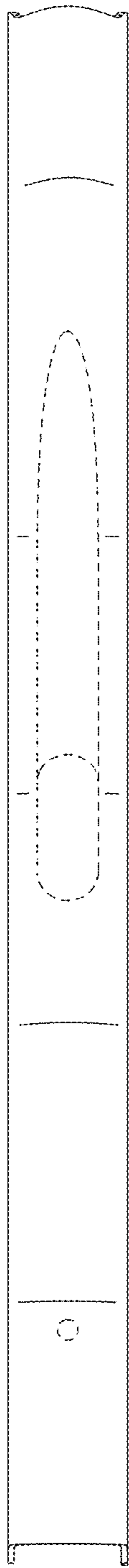


Fig. 4



Fig. 5

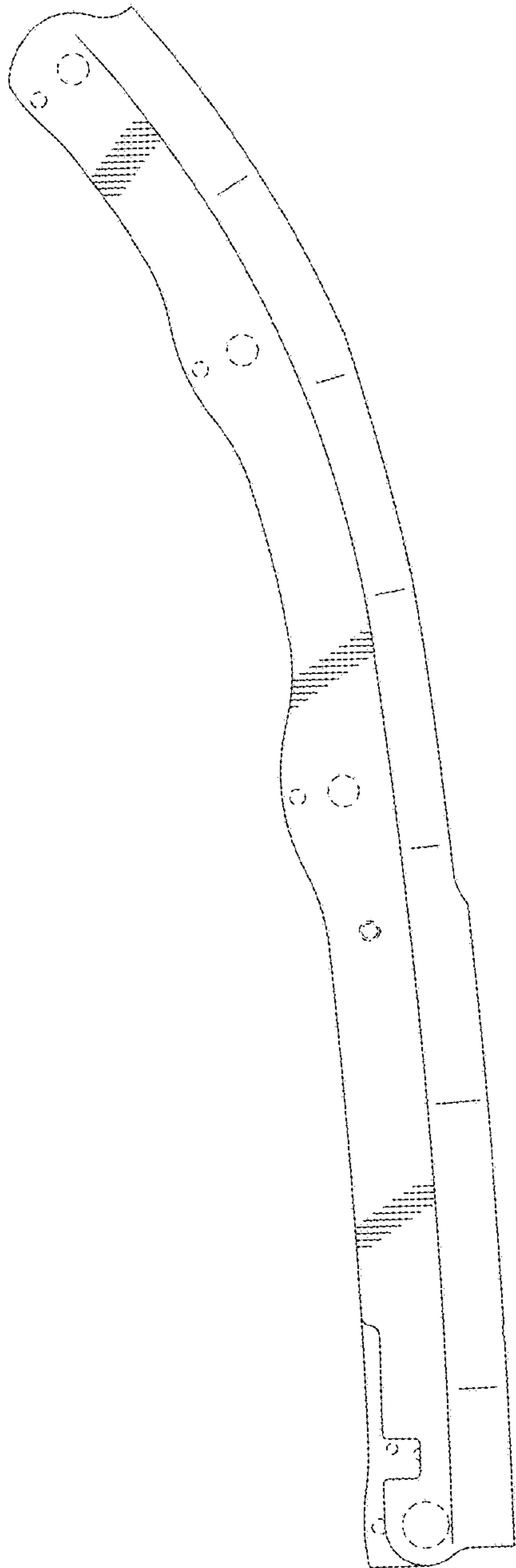


Fig. 6

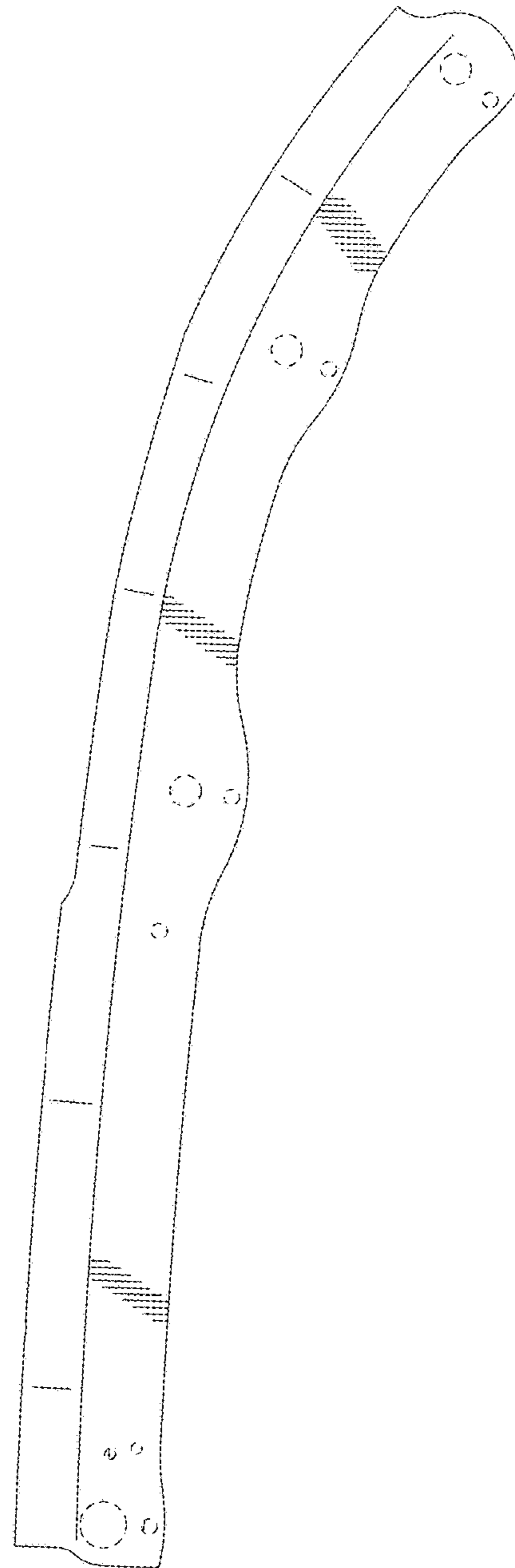


Fig. 7

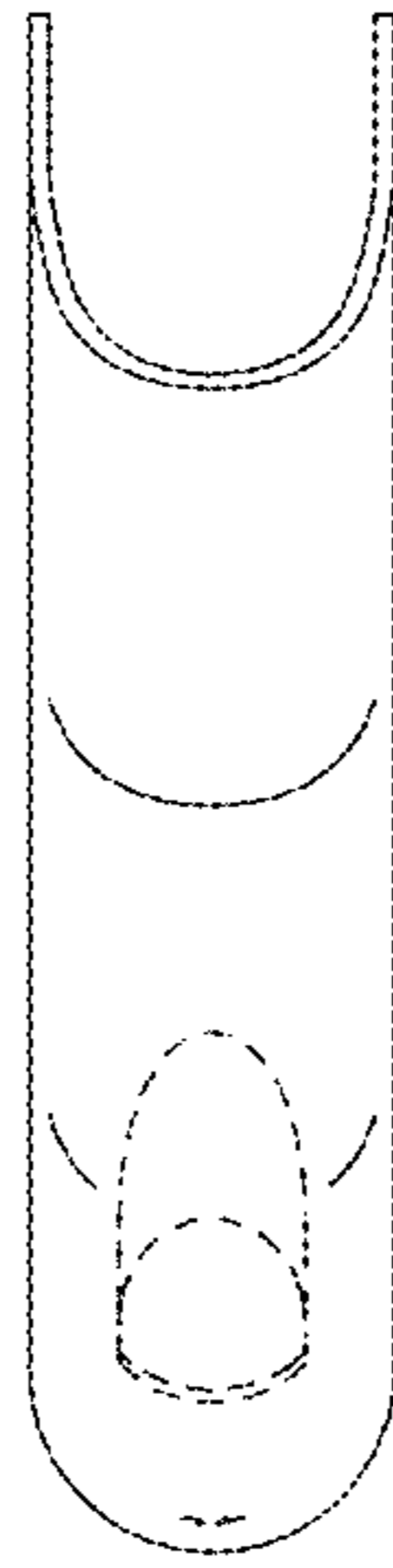


Fig. 8

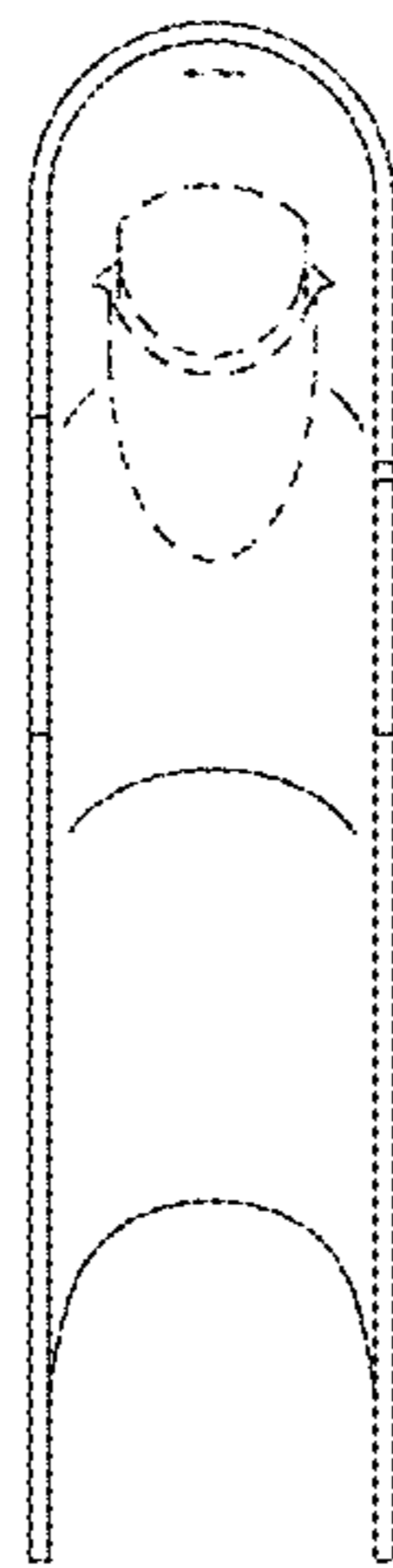


Fig. 9