



US00D801618S

(12) **United States Design Patent** (10) **Patent No.:** **US D801,618 S**
Weber et al. (45) **Date of Patent:** **** Oct. 31, 2017**

(54) **OFFSET HANDLE FOR MANUAL HOIST**
(71) Applicants: **Charles Weber**, Onalaska, WI (US);
Steven Myers, Buffalo Valley, TN (US)
(72) Inventors: **Charles Weber**, Onalaska, WI (US);
Steven Myers, Buffalo Valley, TN (US)
(73) Assignee: **JPW Industries Inc.**, La Vergne, TN
(US)

(**) Term: **15 Years**
(21) Appl. No.: **29/555,185**

(22) Filed: **Feb. 19, 2016**

(51) **LOC (10) Cl.** **12-05**
(52) **U.S. Cl.**
USPC **D34/35**

(58) **Field of Classification Search**
USPC D34/28, 33, 35; 254/372, 270, 346, 350,
254/266, 359, 366, 276, 360, 268, 390,
254/334, 389, 358, 405; 477/22;
248/339; 318/743, 749
CPC B66D 1/46; B66D 1/36; B66D 1/7489;
B66D 1/04; B66D 1/14; B66D 1/20;
B66D 1/225; B66D 1/30; B66D 1/34;
B66D 1/485; B66D 3/20; B66D 3/04;
B66D 3/16; B66D 3/06
See application file for complete search history.

(56) **References Cited**

U.S. PATENT DOCUMENTS

2,243,361 A * 5/1941 Stahl B66D 3/14
192/16
D152,123 S * 12/1948 Parker D34/33
D152,124 S * 12/1948 Parker D34/33
D220,772 S * 5/1971 Hawkins D34/33

4,097,024 A * 6/1978 Schreyer B66D 3/14
254/243
4,218,046 A * 8/1980 Bathum, Jr. B66D 1/58
254/266
D307,659 S * 5/1990 Kobayashi D34/28
D347,508 S * 5/1994 Kubota D34/33
D377,555 S * 1/1997 Ueno D34/33
D407,175 S * 3/1999 Nishimura D34/28
5,971,364 A * 10/1999 Ueno B66D 3/14
254/369
D421,172 S * 2/2000 Mizutani D34/33
7,344,121 B1 * 3/2008 Pan B66D 1/58
254/346
D595,923 S * 7/2009 Walstrom D34/35
D656,290 S * 3/2012 Anderson D34/33
D770,122 S * 10/2016 Mayer D34/33

* cited by examiner

Primary Examiner — Cynthia Ramirez
(74) *Attorney, Agent, or Firm* — Schiff Hardin LLP

(57) **CLAIM**

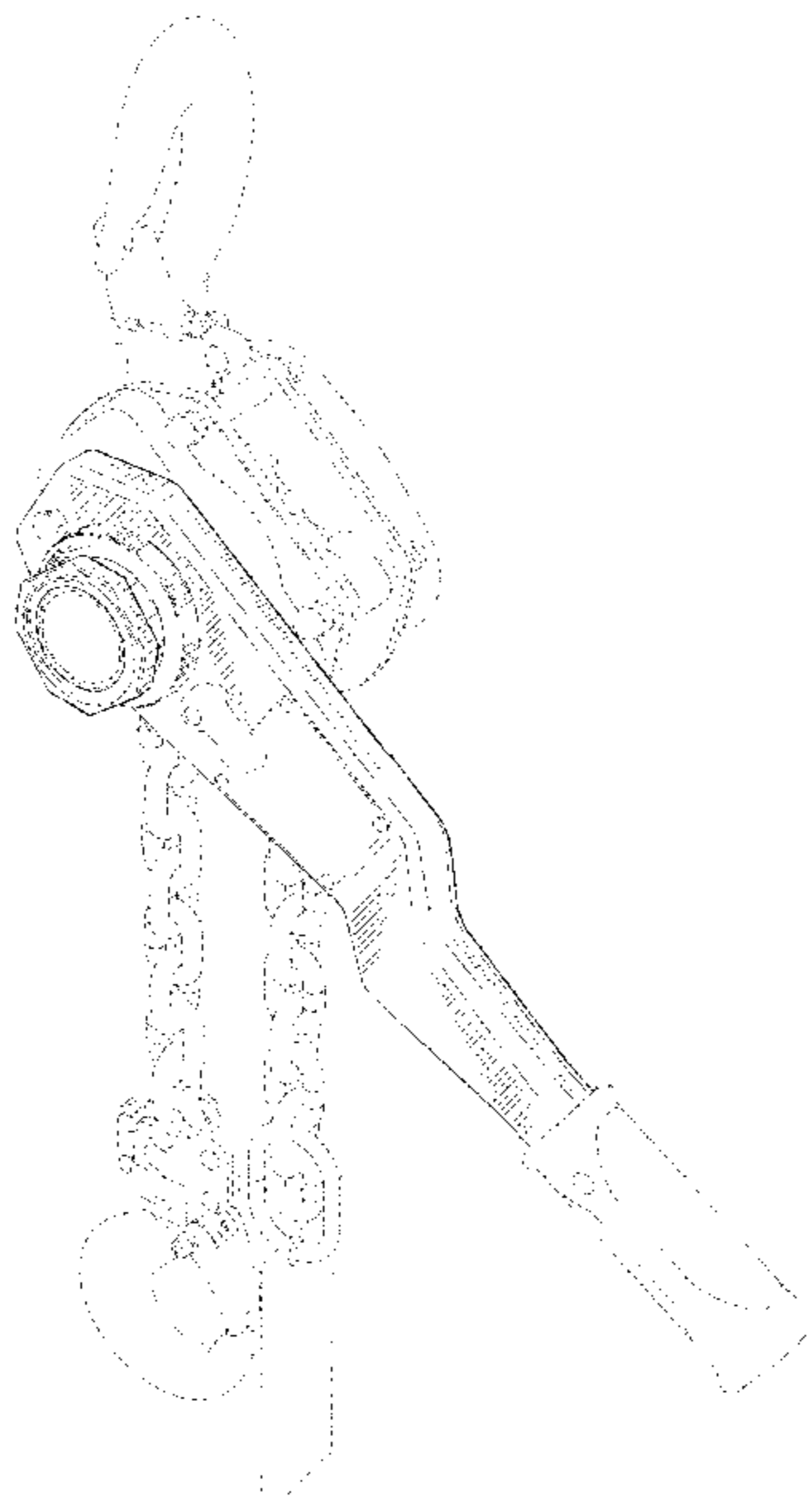
The ornamental design of an offset handle for manual hoist,
as shown and described.

DESCRIPTION

FIG. 1 is a perspective view taken from the upper right-hand
side of an offset handle for manual hoist;
FIG. 2 is a front elevational view thereof;
FIG. 3 is a rear elevational view thereof;
FIG. 4 is a side elevational view of the left side thereof;
FIG. 5 is a side elevational view of the right side thereof;
FIG. 6 is a top plan view thereof; and,
FIG. 7 is a bottom plan view thereof.

The broken lines in the drawings are to show portions of the
offset handle for manual hoist and form no part of the
claimed design.

1 Claim, 5 Drawing Sheets



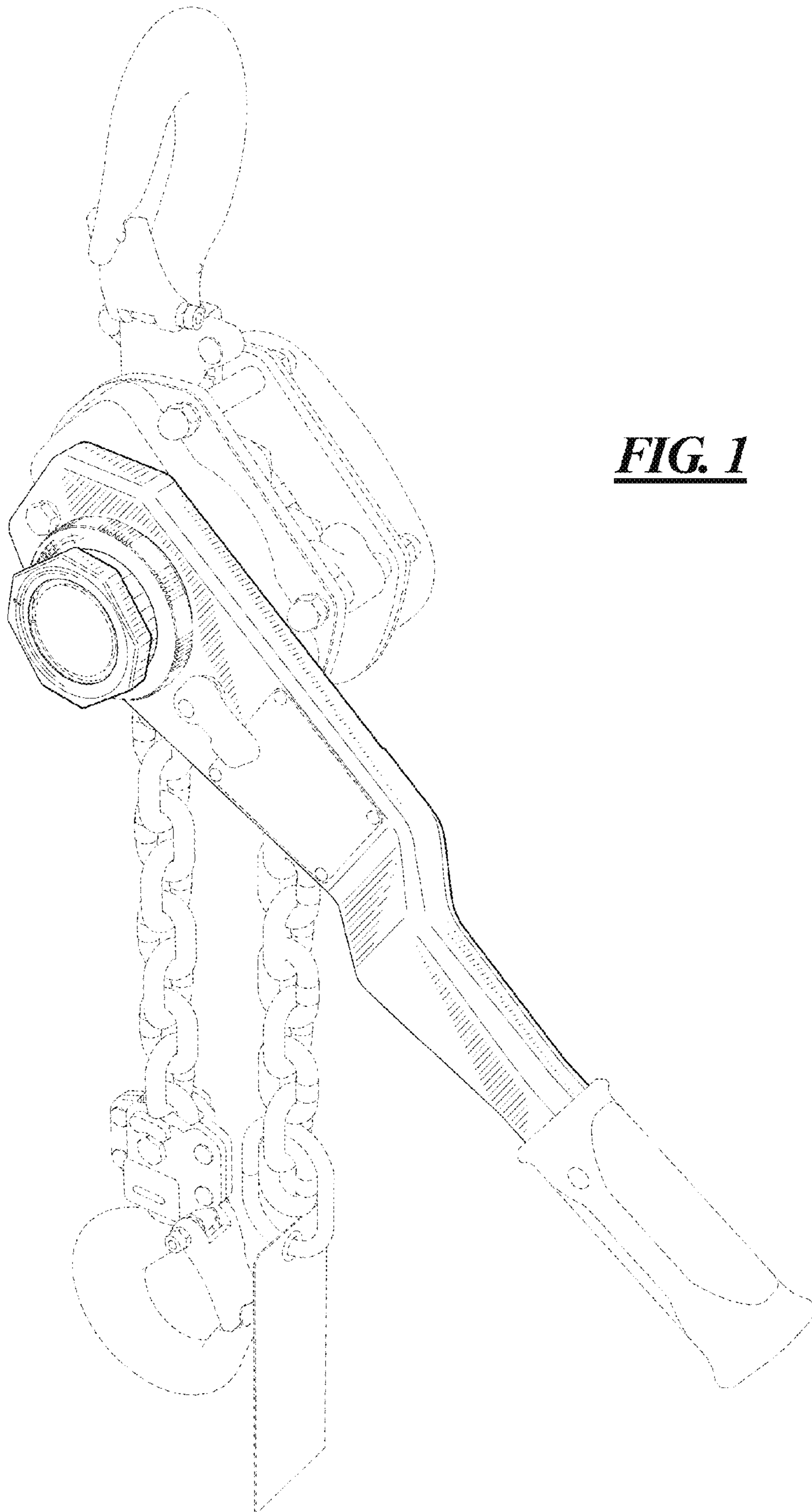


FIG. 1

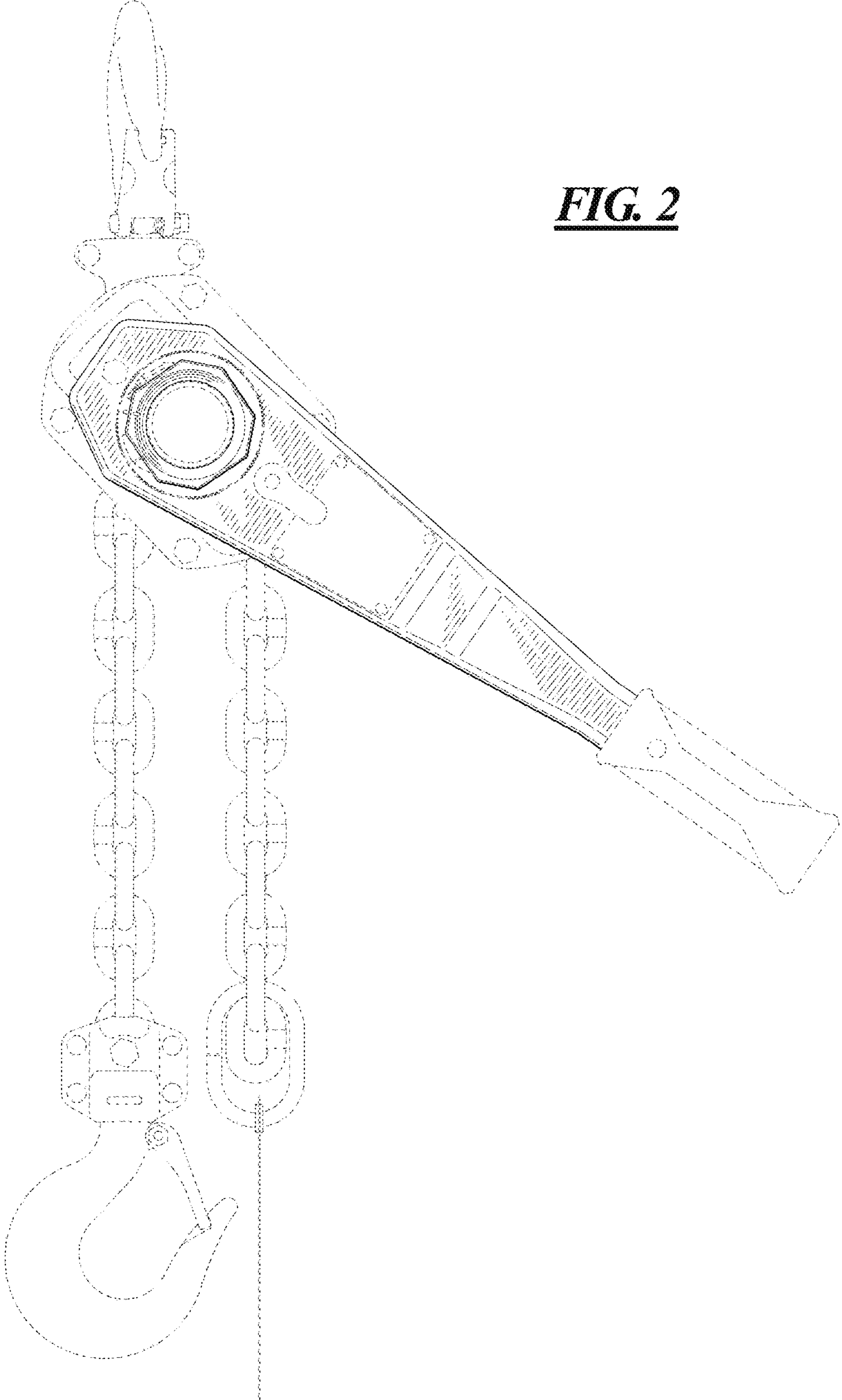
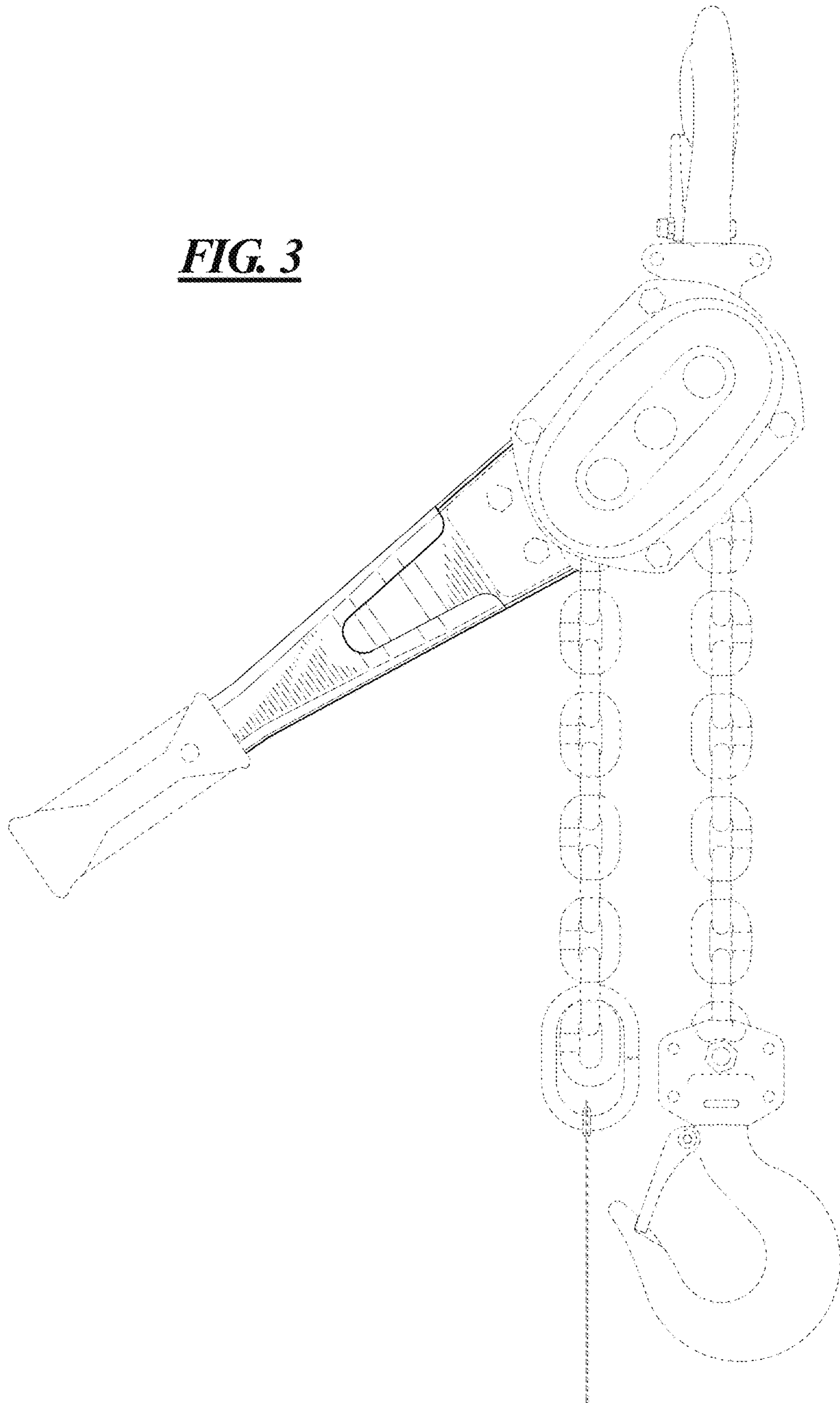


FIG. 2

FIG. 3



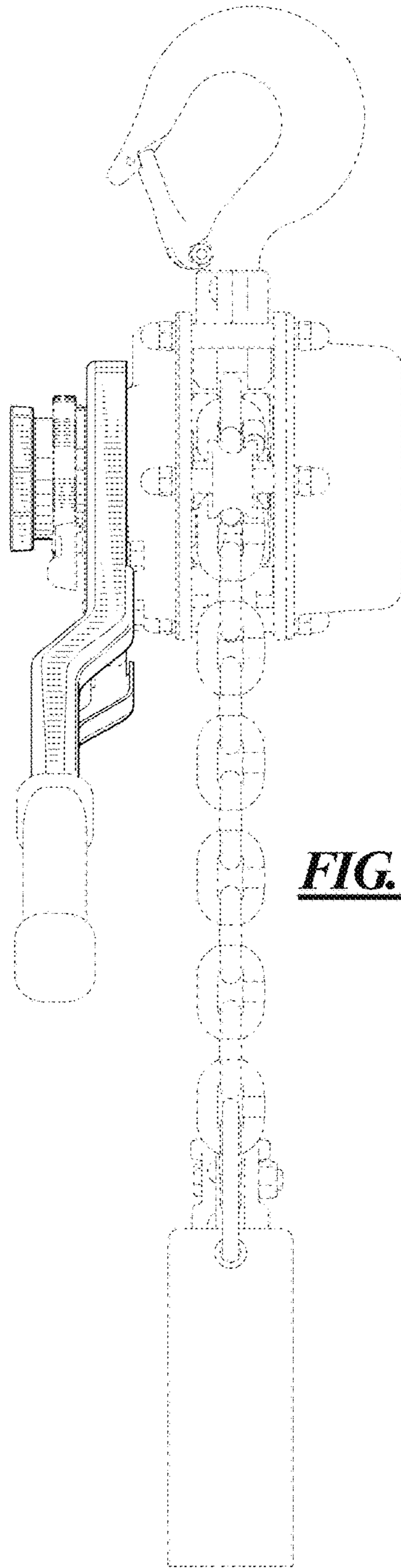
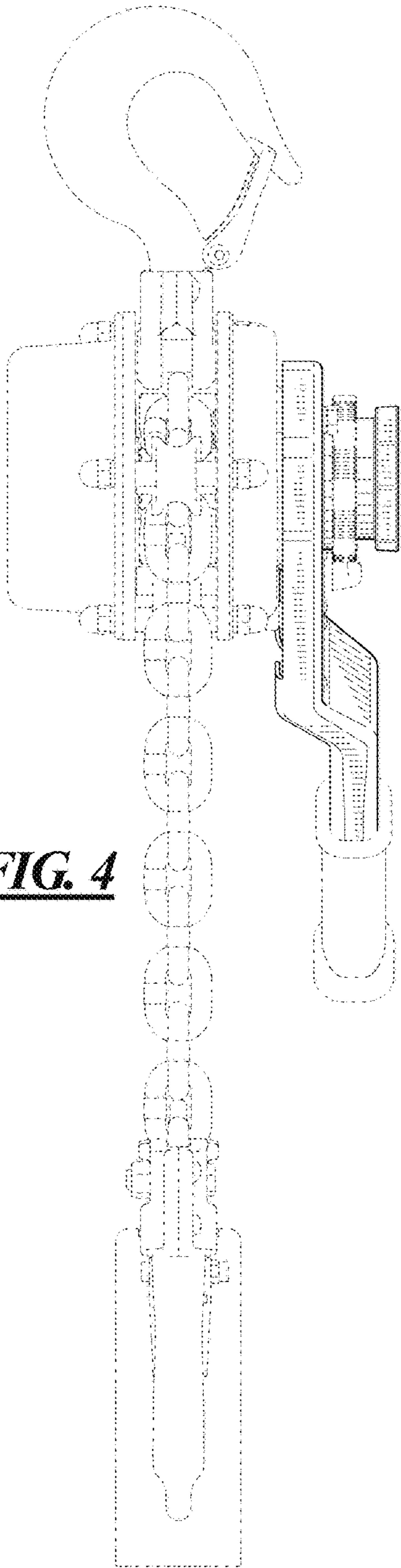


FIG. 6

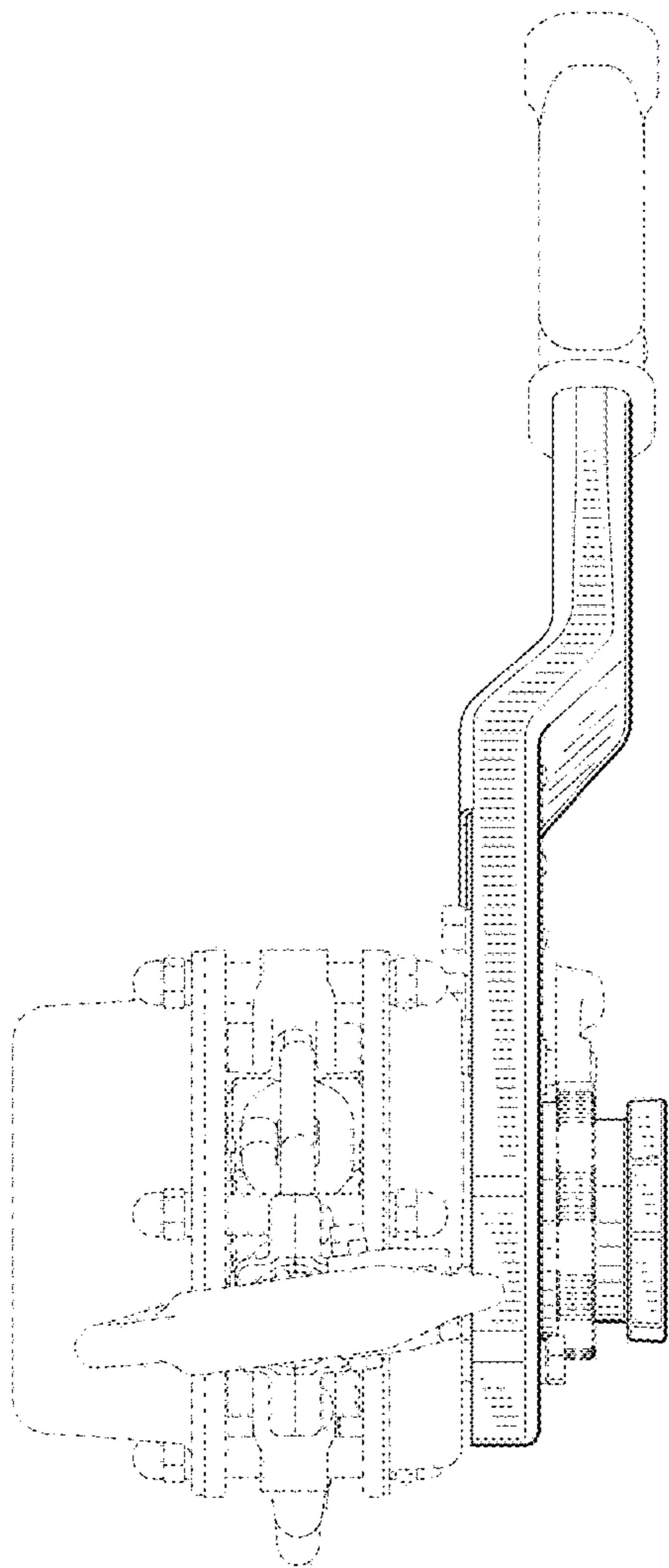


FIG. 7

