



US00D801615S

(12) **United States Design Patent**  
**Supple**

(10) **Patent No.:** **US D801,615 S**

(45) **Date of Patent:** **\*\* Oct. 31, 2017**

(54) **TRASH CONTAINER**

(71) Applicant: **Audrey A. Supple**, Brooklyn, NY (US)

(72) Inventor: **Audrey A. Supple**, Brooklyn, NY (US)

(\*\*) Term: **14 Years**

(21) Appl. No.: **29/511,162**

(22) Filed: **Dec. 8, 2014**

(51) **LOC (10) Cl.** ..... **09-09**

(52) **U.S. Cl.**

USPC ..... **D34/7**

(58) **Field of Classification Search**

USPC ..... D34/1-11; 220/908-913, 262-264, 404,  
220/334, 335, 336, 337, 810

CPC ..... B65F 1/1607; B65F 1/0066; B65F  
2240/138; B65F 2250/112

See application file for complete search history.

(56) **References Cited**

**U.S. PATENT DOCUMENTS**

D328,169 S *	7/1992	Burleigh	.....	D34/1
D374,528 S *	10/1996	Zackson	.....	D34/1
D393,510 S *	4/1998	Creske	.....	D34/1
6,176,388 B1 *	1/2001	Orndorff	.....	G09F 15/0043 220/662
D507,687 S *	7/2005	Moon	.....	D34/1
D545,023 S *	6/2007	Weiss	.....	D34/1
D561,966 S *	2/2008	Skalka	.....	D34/1
D566,921 S *	4/2008	Skalka	.....	D34/1
D594,621 S *	6/2009	Tuncel	.....	D34/1

D644,391 S *	8/2011	Kopp	.....	D34/7
D655,473 S *	3/2012	Moore	.....	D34/11
D681,302 S *	4/2013	Moore	.....	D34/11
D727,584 S *	4/2015	Busch	.....	D34/7

\* cited by examiner

*Primary Examiner* — Cynthia Ramirez

*Assistant Examiner* — Gino Colan

(74) *Attorney, Agent, or Firm* — Troutman Sanders LLP

(57) **CLAIM**

The ornamental design for a trash container, as shown and described.

**DESCRIPTION**

FIG. 1 is a front, top, right side perspective view of an example of the trash container of the new design;

FIG. 2 is a front view thereof;

FIG. 3 is a left side view thereof, the right side being a mirror image;

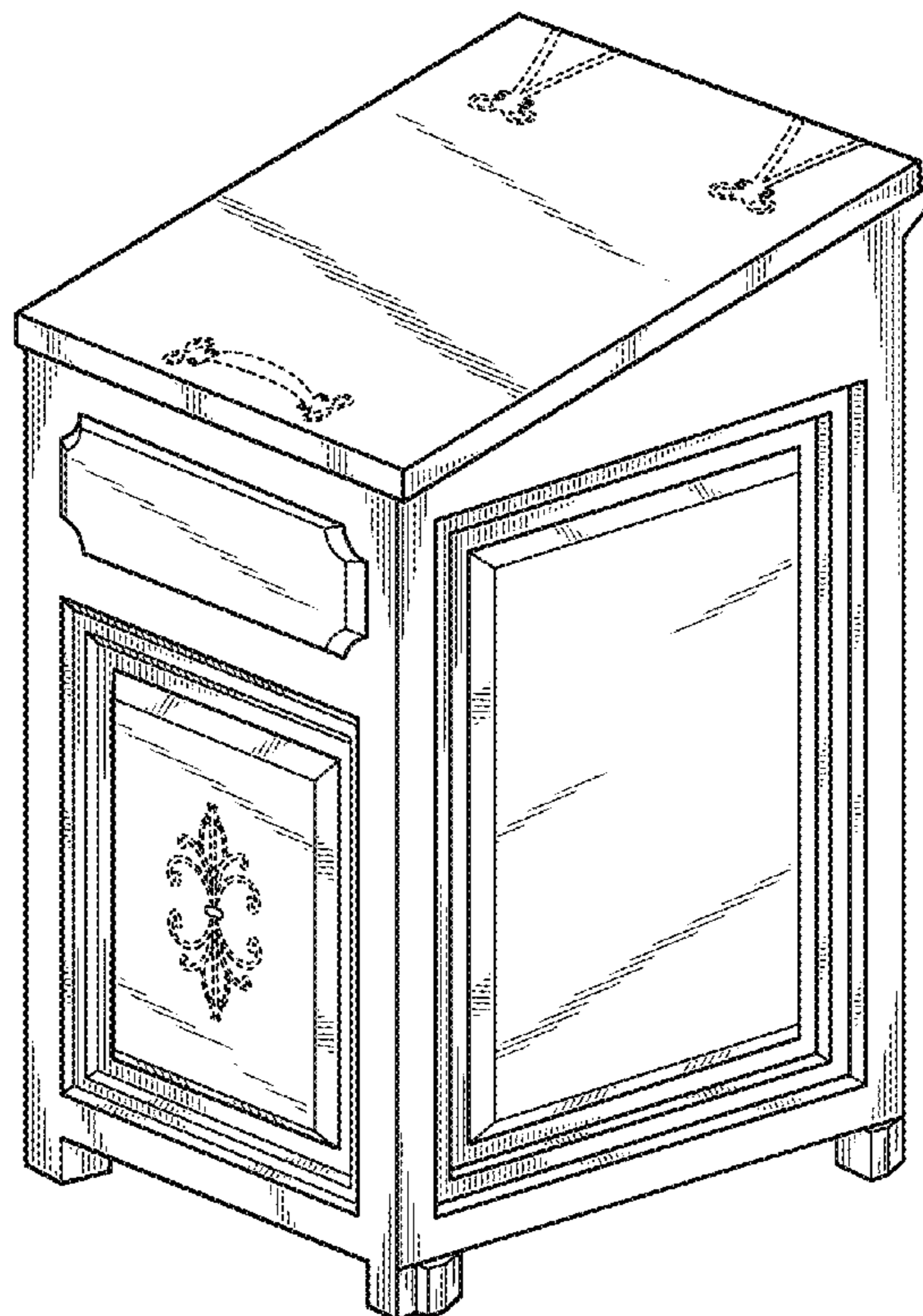
FIG. 4 is a rear view thereof;

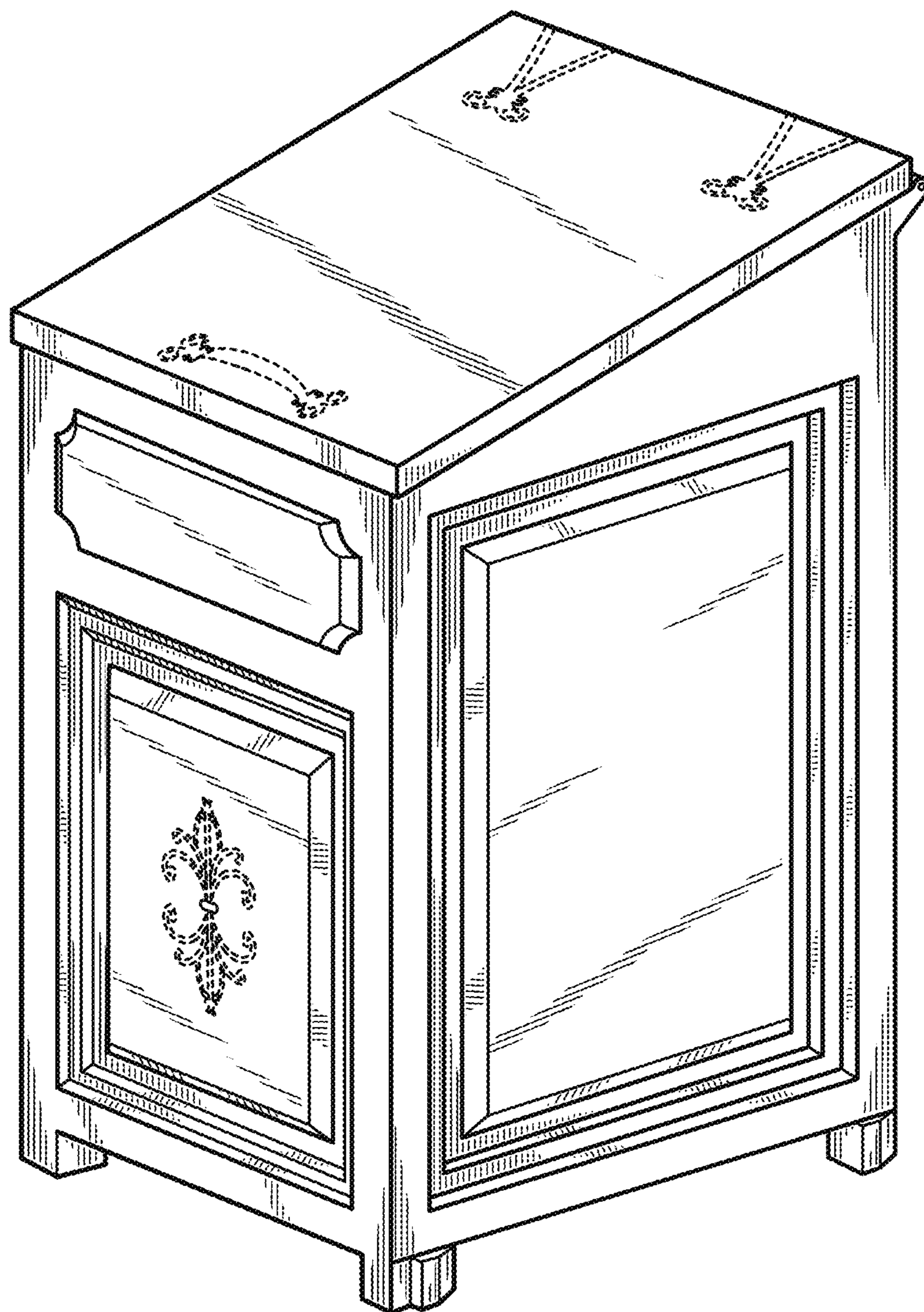
FIG. 5 is a bottom view thereof; and,

FIG. 6 is a front, top, right side perspective view of the example in an alternate position.

The broken lines showing structural elements in the drawings are included for the purpose of illustrating non-claimed subject matter, and form no part of the claimed design.

**1 Claim, 5 Drawing Sheets**





**FIG. 1**

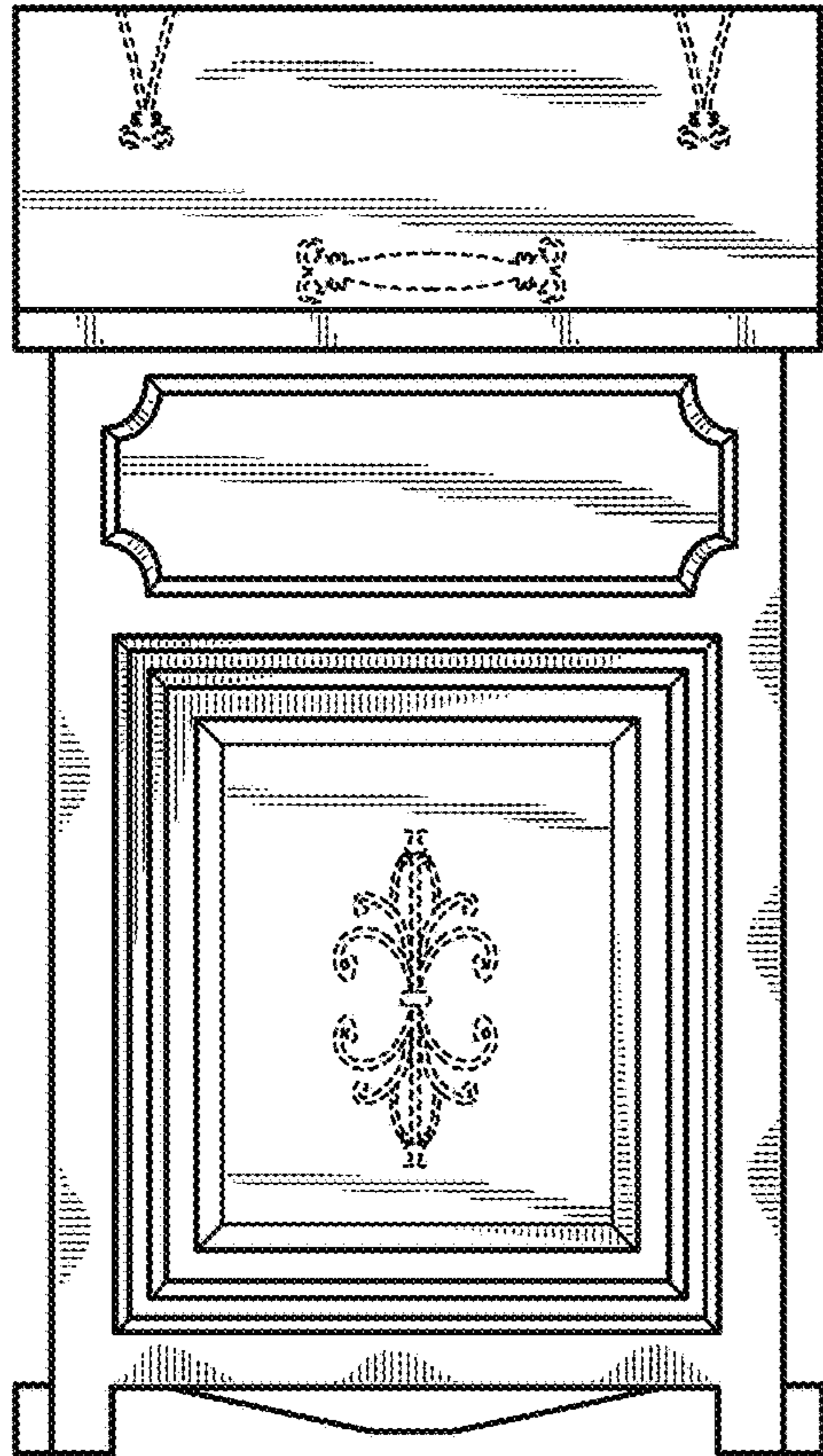


FIG. 2

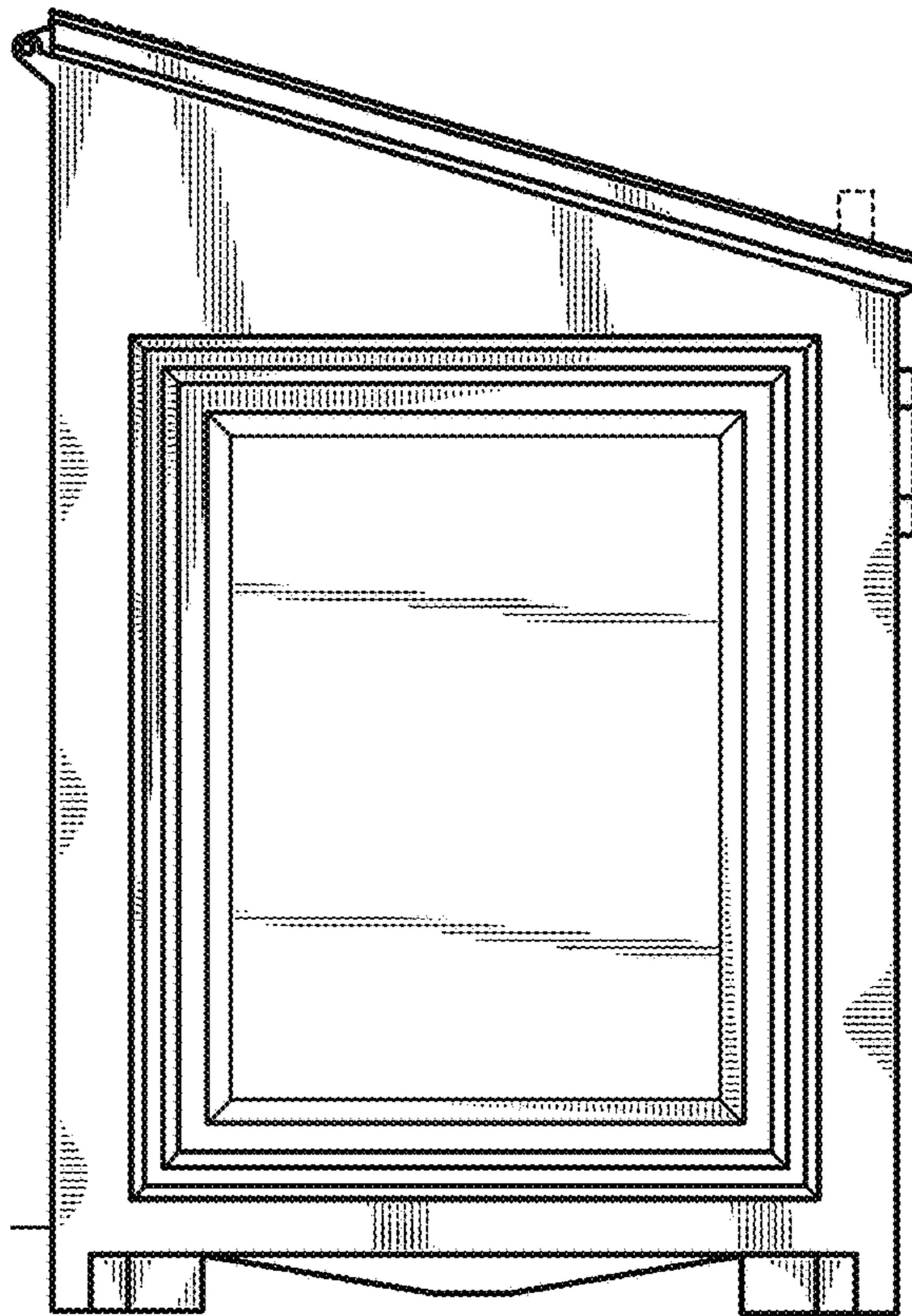


FIG. 3

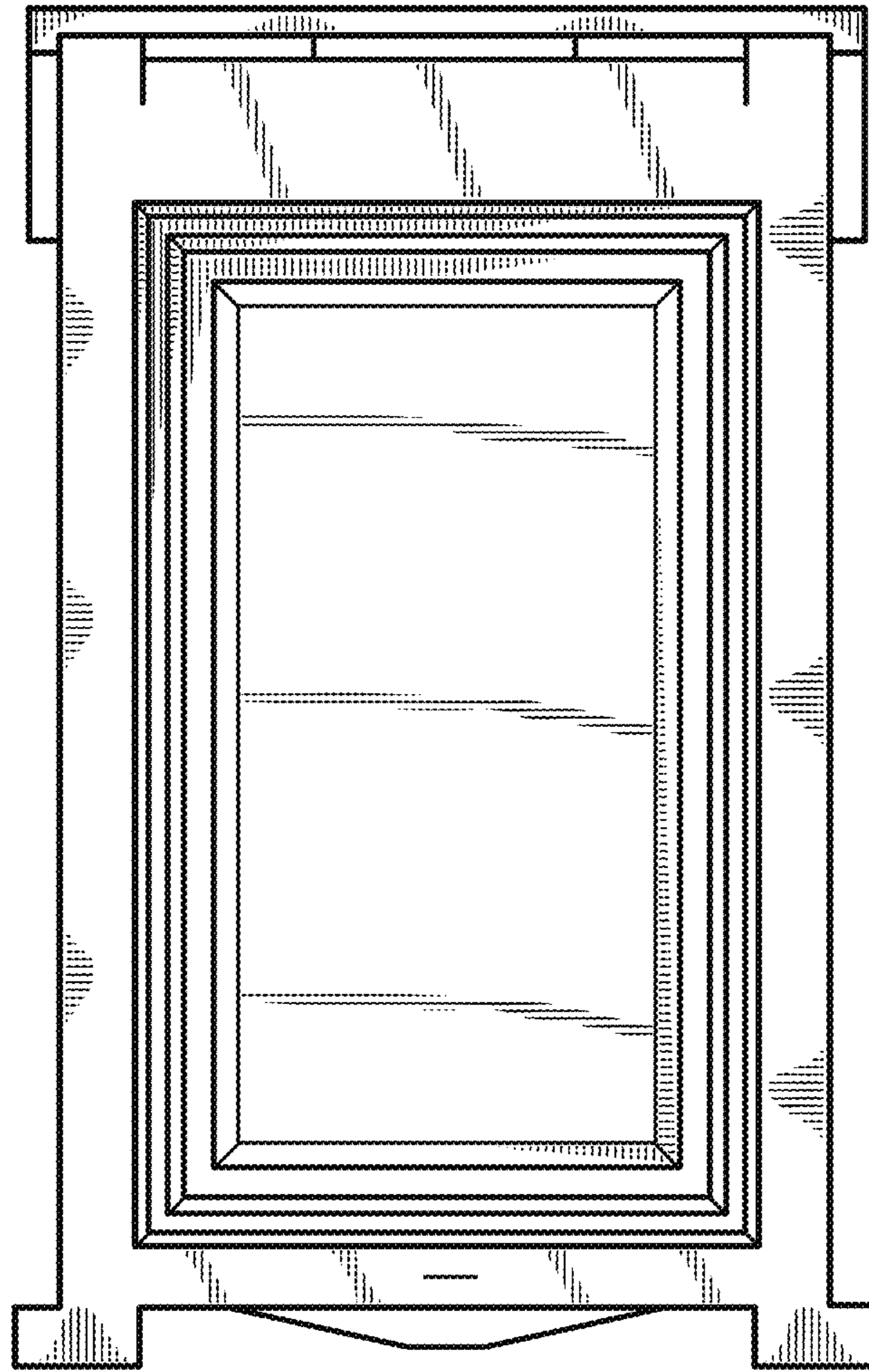
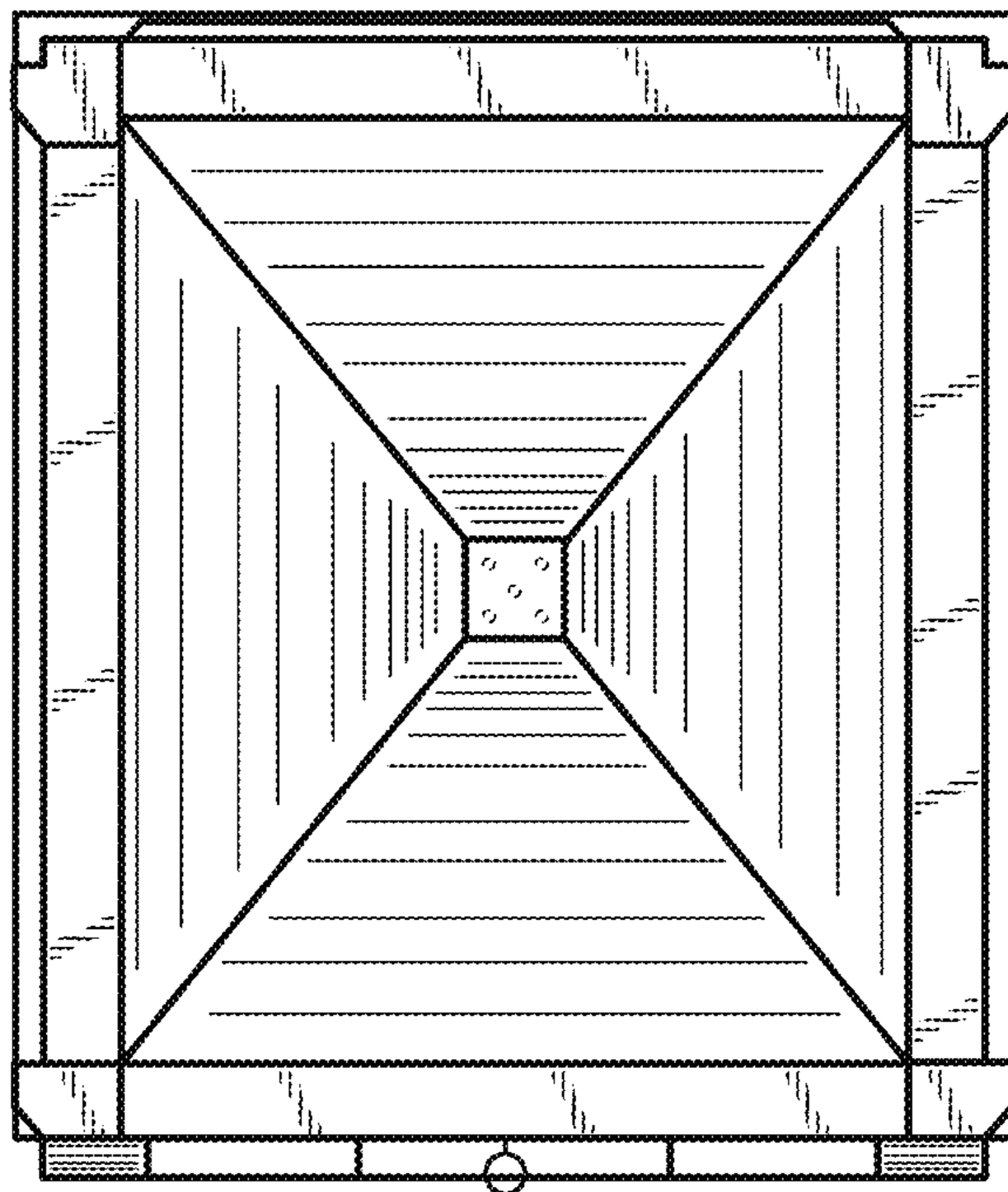


FIG. 4



**FIG. 5**

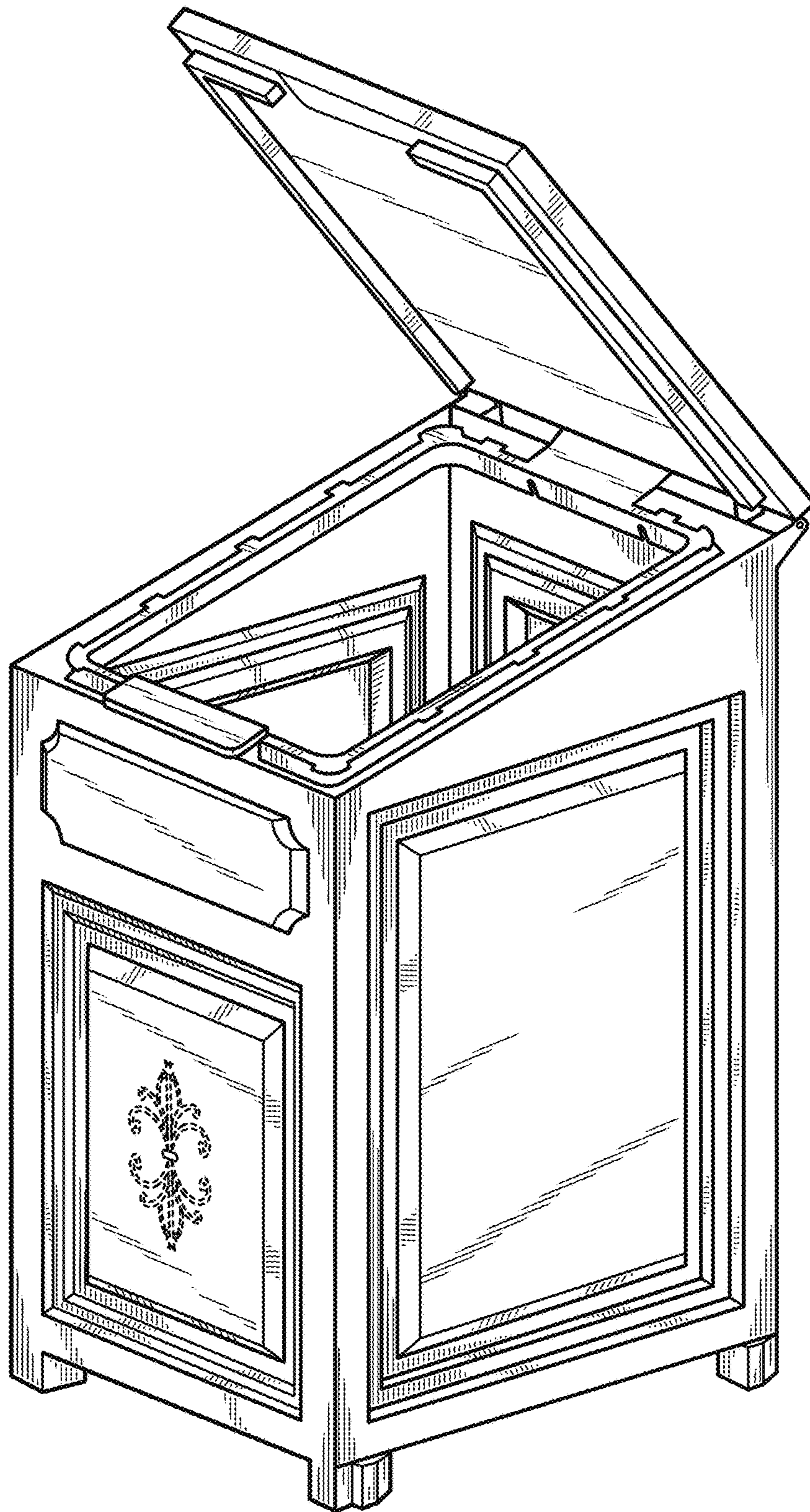


FIG. 6