



US00D801611S

(12) **United States Design Patent** (10) **Patent No.:** **US D801,611 S**  
**Davies** (45) **Date of Patent:** **\*\* \*Oct. 31, 2017**

- (54) **PAINT ROLLER TRAY**
- (71) Applicant: **Scott Davies**, San Diego, CA (US)
- (72) Inventor: **Scott Davies**, San Diego, CA (US)
- (\*) Notice: This patent is subject to a terminal disclaimer.
- (\*\*) Term: **14 Years**
- (21) Appl. No.: **29/473,281**
- (22) Filed: **Nov. 20, 2013**
- (51) **LOC (10) Cl.** ..... **07-07**
- (52) **U.S. Cl.**  
USPC ..... **D32/53.1**
- (58) **Field of Classification Search**  
USPC ..... D32/53, 53.1, 54; 15/257.05, 257.06;  
220/570, 495.02  
CPC ..... B05C 21/00; A47L 13/56  
See application file for complete search history.

- D601,768 S \* 10/2009 Moon ..... D32/53.1
- D603,117 S \* 10/2009 Keane ..... D32/53.1
- 8,418,309 B1 \* 4/2013 Williams ..... 15/257.06

\* cited by examiner

*Primary Examiner* — Robin V Webster

(74) *Attorney, Agent, or Firm* — Daniel Boudwin; Global Intellectual Property Agency, LLC

(57) **CLAIM**

The ornamental design for a paint roller tray, as shown and described.

**DESCRIPTION**

FIG. 1 is a perspective view of a paint roller tray showing my new design, the cover shown in broken lines is environmental and forms no part of the claimed design.

FIG. 2 shows a first end view of the paint roller tray of the present invention, highlighting the handle portion.

FIG. 3 shows a second end view of the paint roller tray of the present invention.

FIG. 4 shows a first side view of the paint roller tray of the present invention.

FIG. 5 shows a second side view of the paint roller tray of the present invention.

FIG. 6 shows a side view of the paint roller tray of the present invention supporting itself in an upright configuration from a level surface.

FIG. 7 shows an overhead view of the paint roller tray of the present invention; and,

FIG. 8 shows an underside view of the paint roller tray of the present invention.

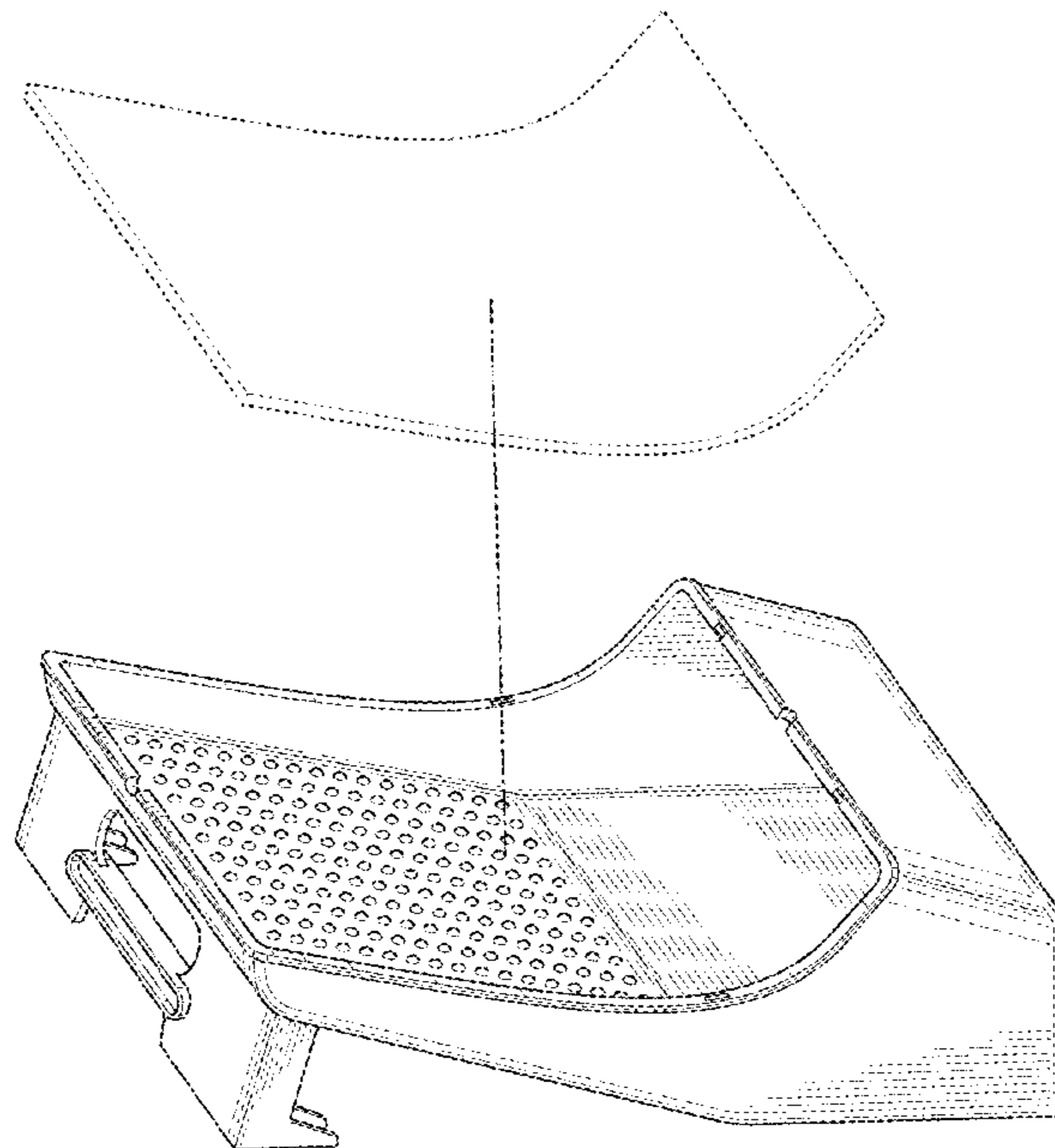
The broken lines shown in the drawings represent environmental effects or potential embodiments and do not form any part of the claimed design.

(56) **References Cited**

**U.S. PATENT DOCUMENTS**

- 2,759,620 A \* 8/1956 Pharris ..... 15/257.06
- 3,351,970 A \* 11/1967 Engh ..... 15/257.06
- D223,302 S \* 4/1972 Golden et al. .... D32/53.1
- 3,729,764 A \* 5/1973 Vines ..... 15/257.06
- D361,183 S \* 8/1995 Pilney ..... D32/53
- 5,493,751 A \* 2/1996 Misiukowicz et al. .... 15/257.06
- 5,836,043 A \* 11/1998 Rovas ..... 15/257.06
- D419,736 S \* 1/2000 Clark ..... D32/53.1
- 6,431,392 B1 \* 8/2002 Eisenbeisz ..... 220/759
- 6,622,340 B2 \* 9/2003 Rosa ..... 15/257.06
- D569,068 S \* 5/2008 Keane ..... D32/53.1
- D581,119 S \* 11/2008 Bergman ..... D32/53.1
- D583,521 S \* 12/2008 Arvinte et al. .... D32/53.1

**1 Claim, 5 Drawing Sheets**



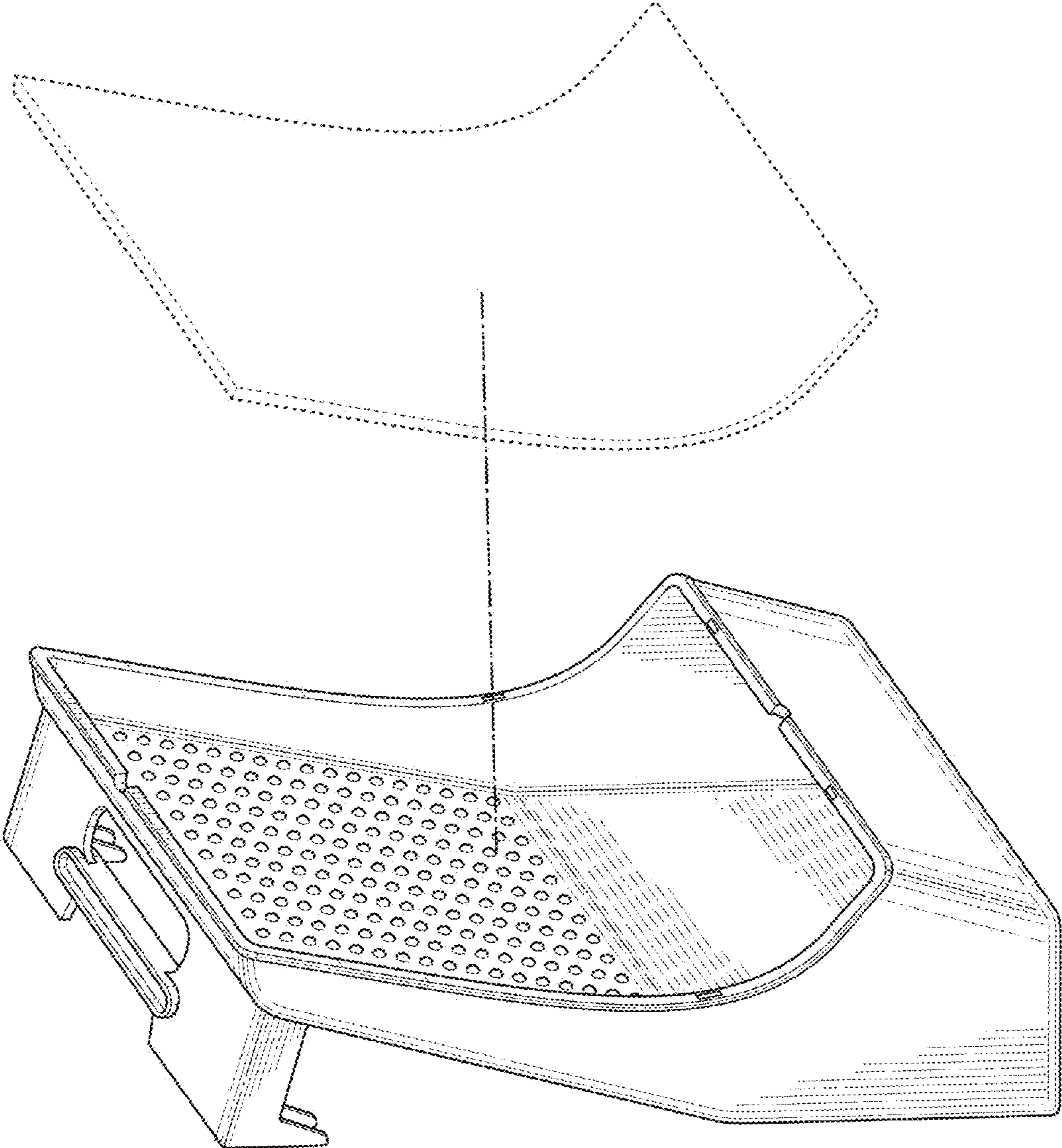
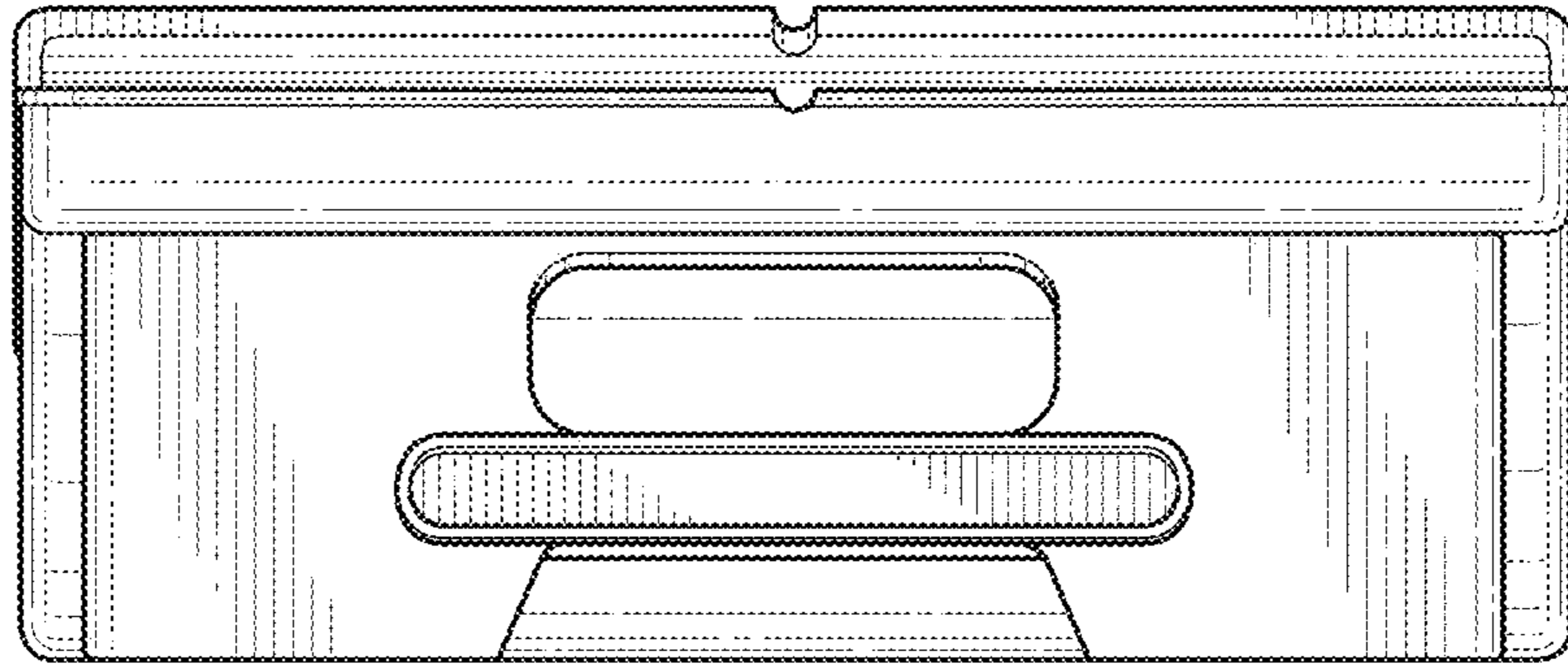
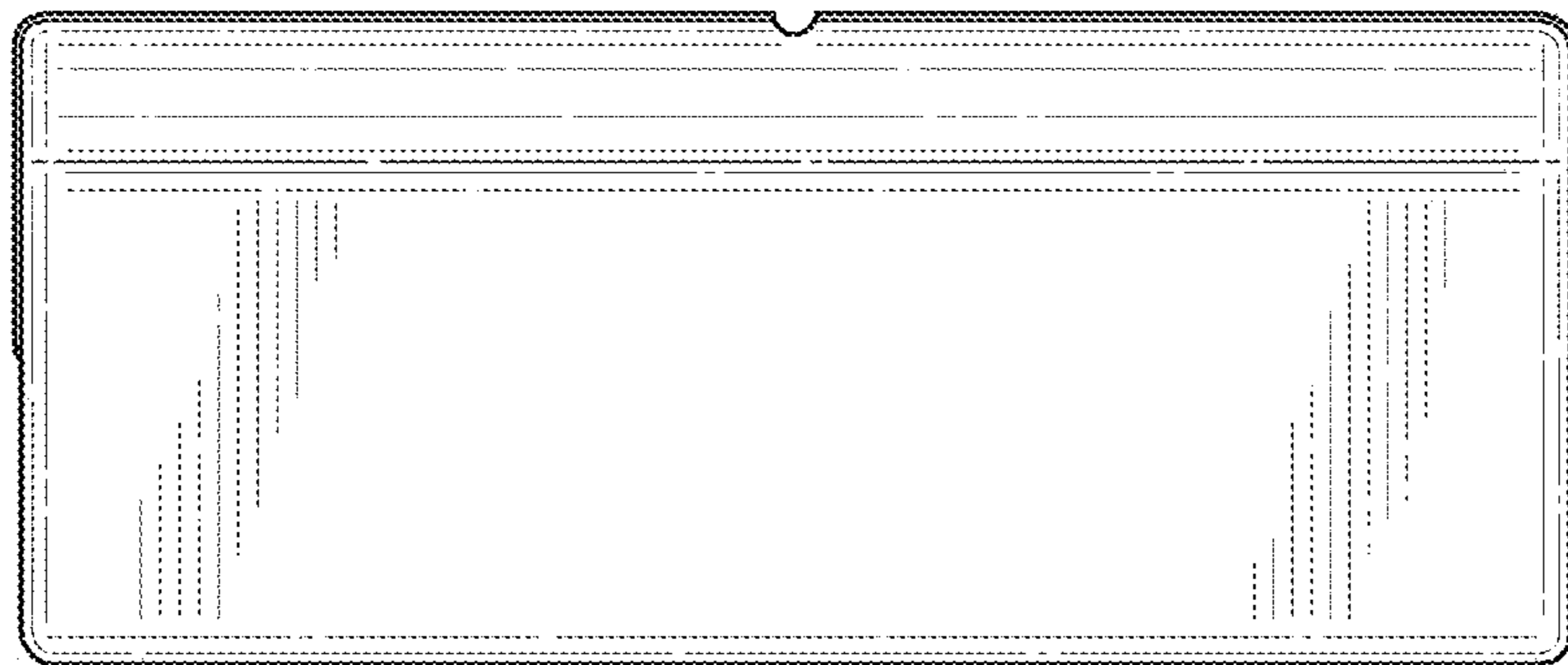


FIG. 1



**FIG. 2**



**FIG. 3**

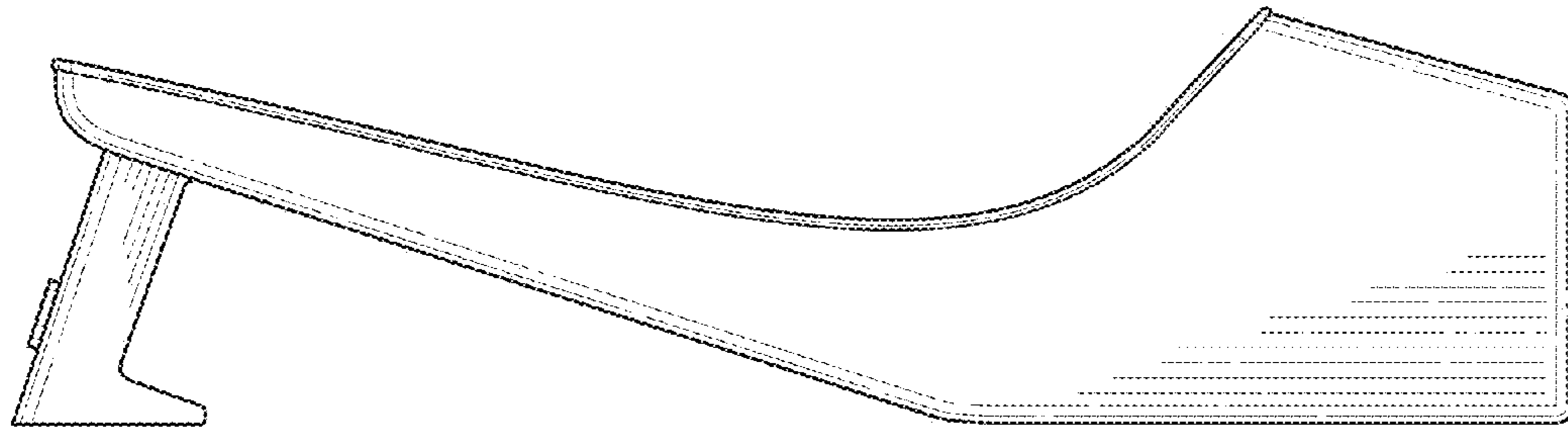


FIG. 4

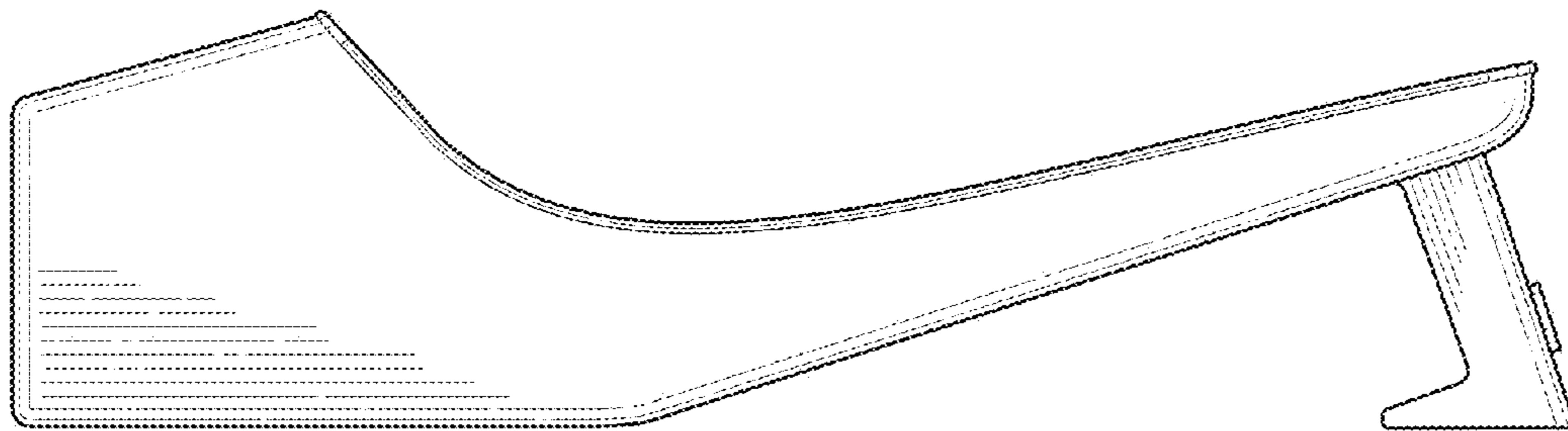


FIG. 5

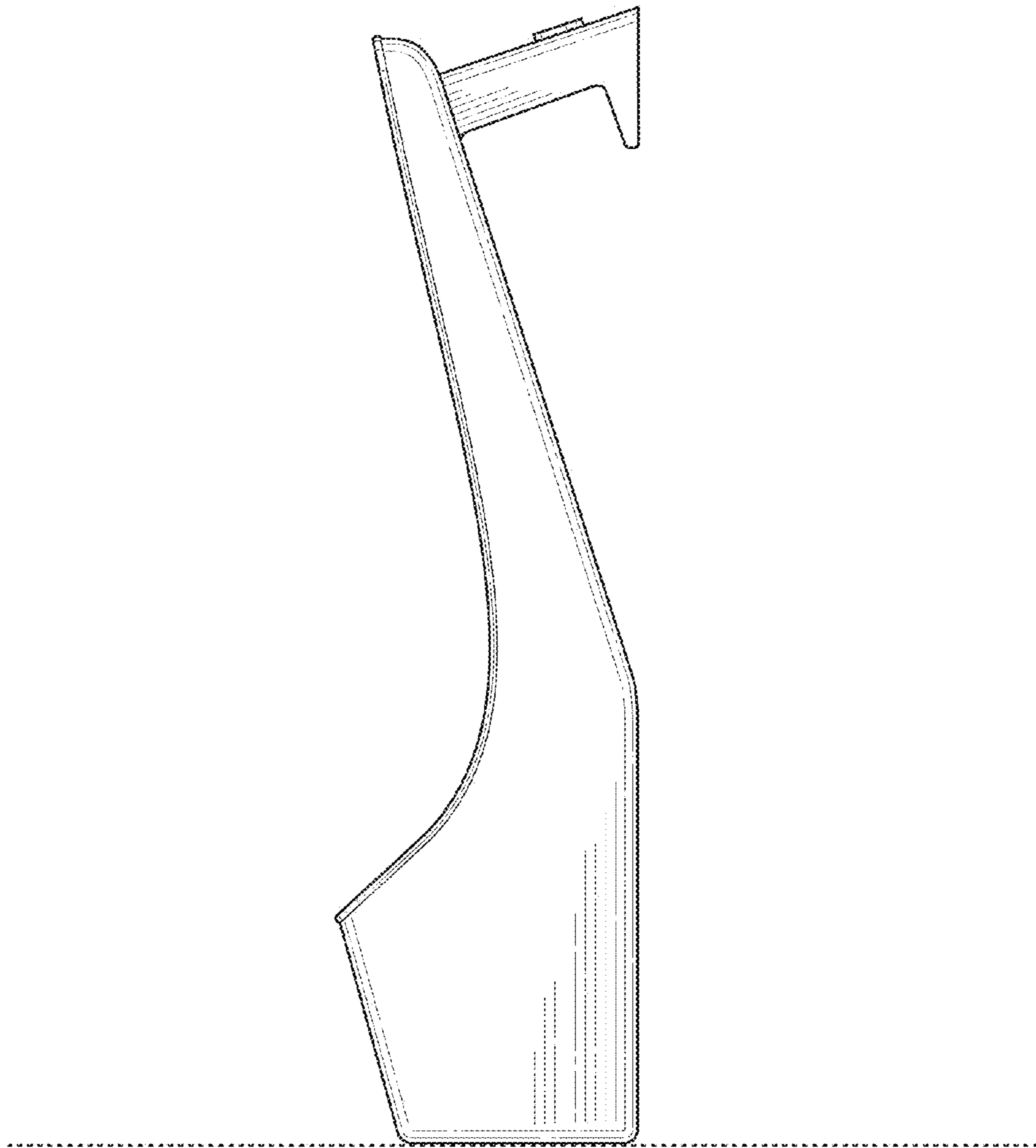


FIG. 6

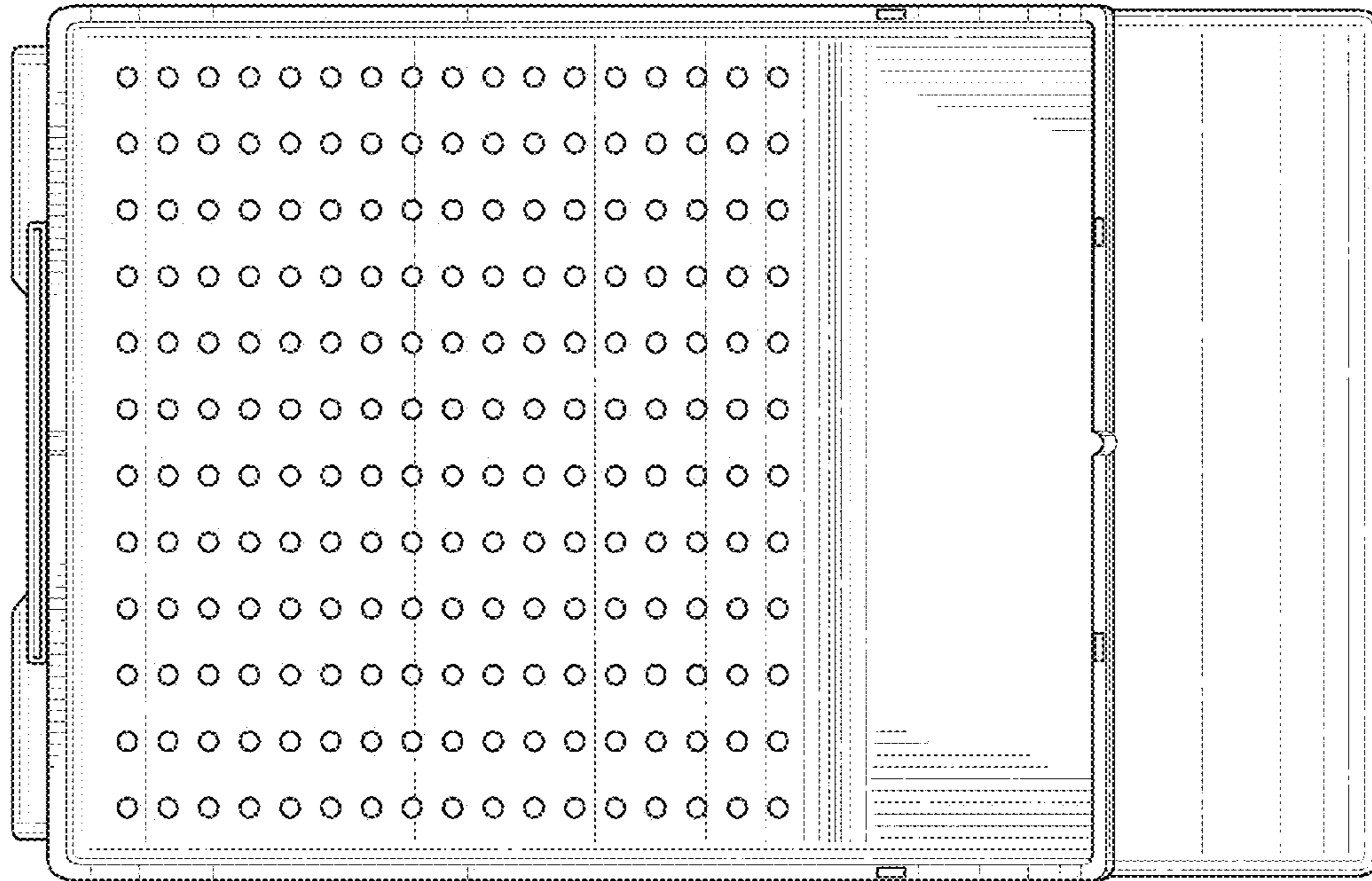


FIG. 7

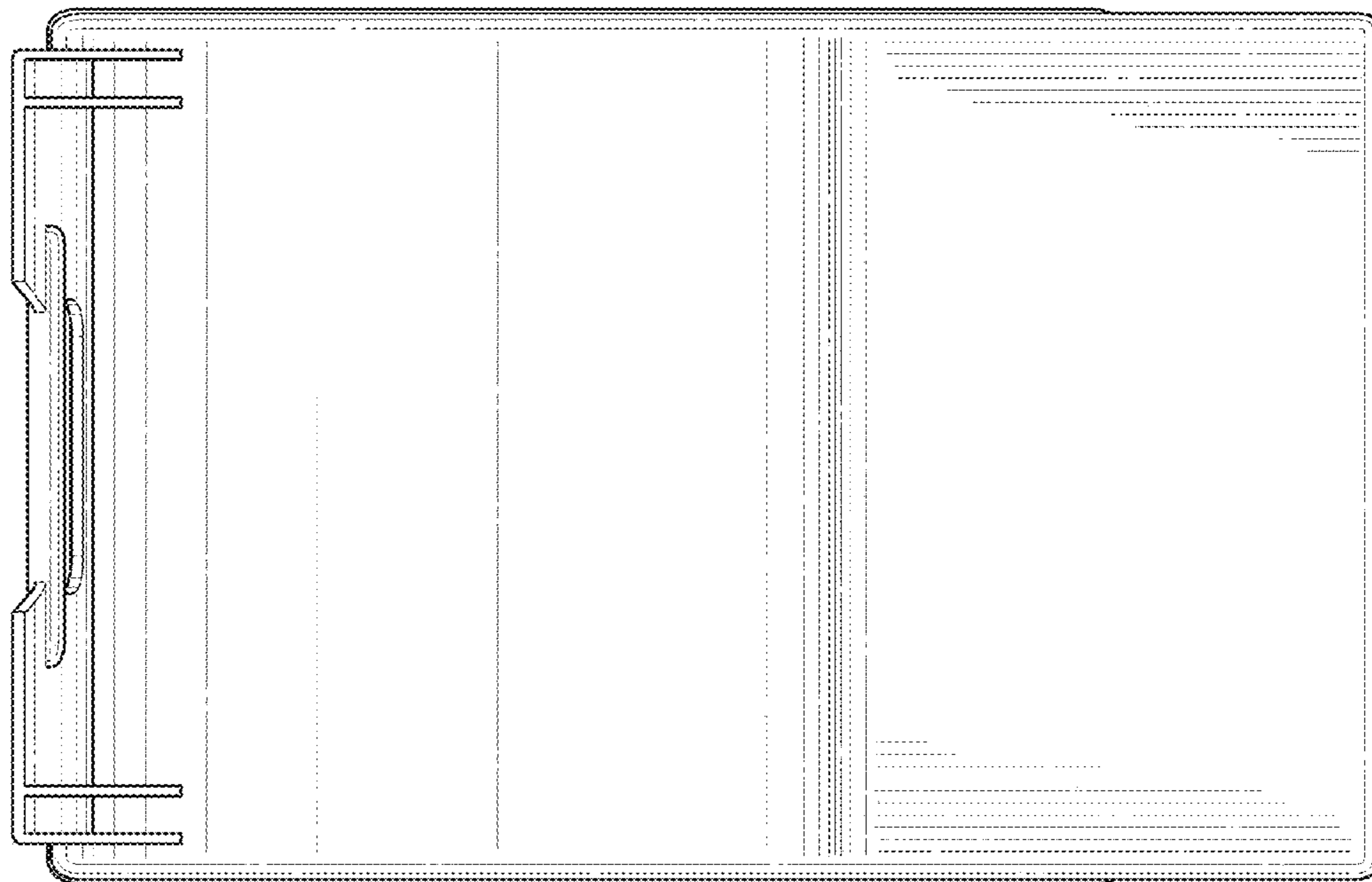


FIG. 8