



US00D801610S

(12) **United States Design Patent** (10) **Patent No.:** **US D801,610 S**
Nadin (45) **Date of Patent:** **** Oct. 31, 2017**

(54) **PAINT CONTAINER**
(71) Applicants: **Peter Nadin**, Gladesville, New South Wales (AU); **Laurel Nadin**, Gladesville, New South Wales (AU)
(72) Inventor: **Peter Nadin**, Gladesville (AU)
(73) Assignees: **Peter Nadin**, Gladesville, New South Wales (AU); **Laurel Nadin**, Gladesville, New South Wales (AU)

5,641,087 A * 6/1997 Moffitt B44D 3/12
15/264
D415,864 S * 10/1999 Axhamre D32/54
6,138,963 A * 10/2000 Malvasio B44D 3/12
220/555
6,199,718 B1 * 3/2001 Ellis B44D 3/126
220/570
D444,278 S * 6/2001 Myers, Jr. D32/54
D477,702 S * 7/2003 Kohn D32/53.1
D546,514 S * 7/2007 Byrne D32/53
D785,888 S * 5/2017 Hernandez D32/53.1

* cited by examiner

(**) Term: **15 Years**

Primary Examiner — Robin V Webster

(21) Appl. No.: **29/585,857**

(74) *Attorney, Agent, or Firm* — Knobbe Martens Olson & Bear LLP

(22) Filed: **Nov. 29, 2016**

(51) **LOC (10) Cl.** **07-07**

(57) **CLAIM**

(52) **U.S. Cl.**
USPC **D32/53**

The ornamental design for a paint container, as shown and described.

(58) **Field of Classification Search**
USPC D32/53-54; 220/904, 659, 669, 752,
220/753; 15/260-264
CPC B65D 1/42; B65D 25/32; B44D 3/128;
B44D 3/126; B44D 3/12; B65F 1/14;
A47L 13/58

DESCRIPTION

See application file for complete search history.

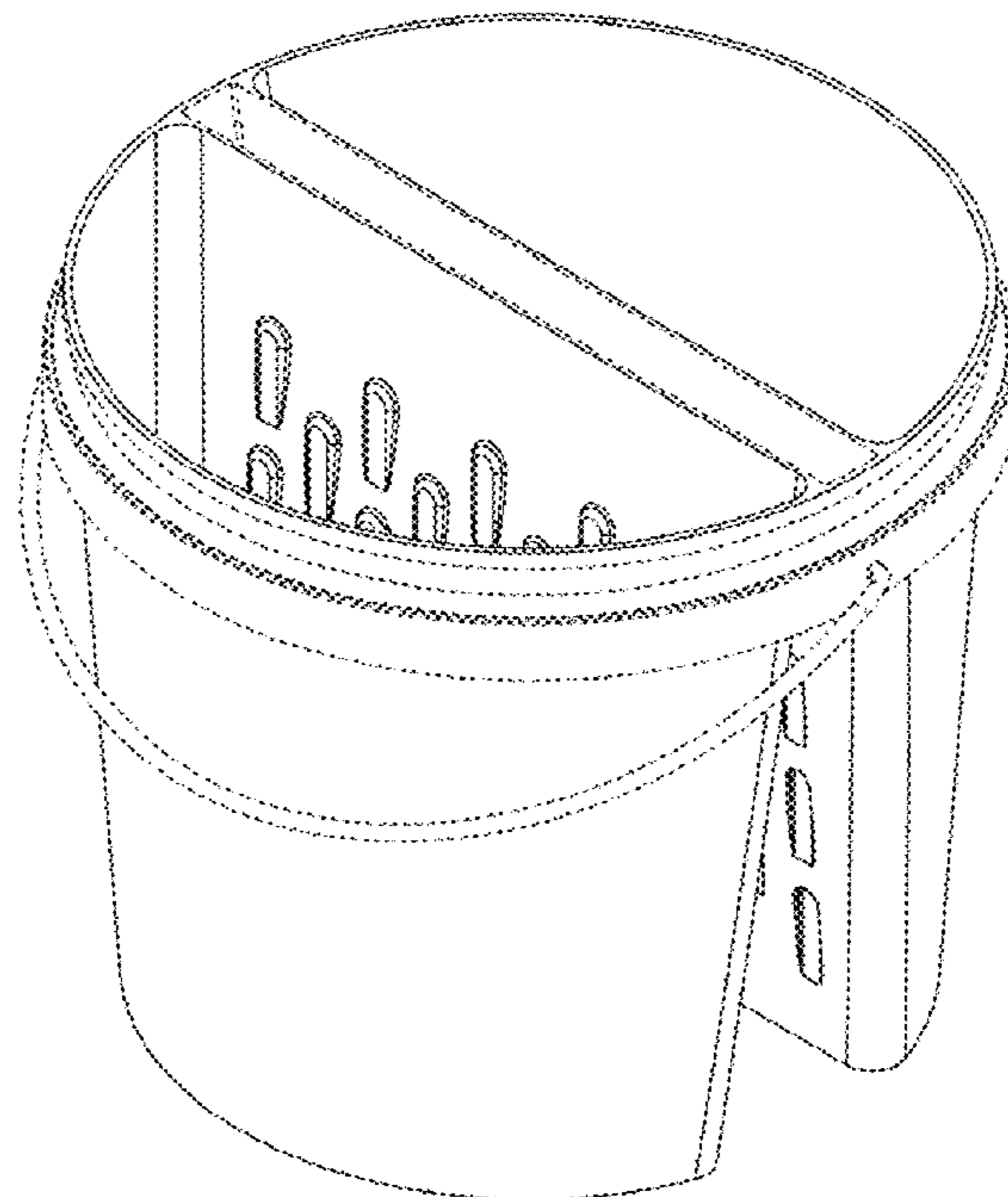
FIG. 1 is a top perspective view of a paint container, showing my new design.
FIG. 2 is a front elevational view thereof. A rear elevational view is a mirror image of the front elevational view.
FIG. 3 is a top plan view thereof.
FIG. 4 is a left side elevational view thereof. A right side elevational view is identical to the left side elevational view; and,
FIG. 5 is bottom plan view thereof.
The broken lines in the views depict environmental features that form no part of the claimed design.

(56) **References Cited**

U.S. PATENT DOCUMENTS

3,280,418 A * 10/1966 Schonberger A47L 13/58
15/261
D223,302 S * 4/1972 Golden et al. 206/557
D236,075 S * 7/1975 Golden et al. D32/53
5,400,916 A * 3/1995 Weber B44D 3/126
15/257.05

1 Claim, 3 Drawing Sheets



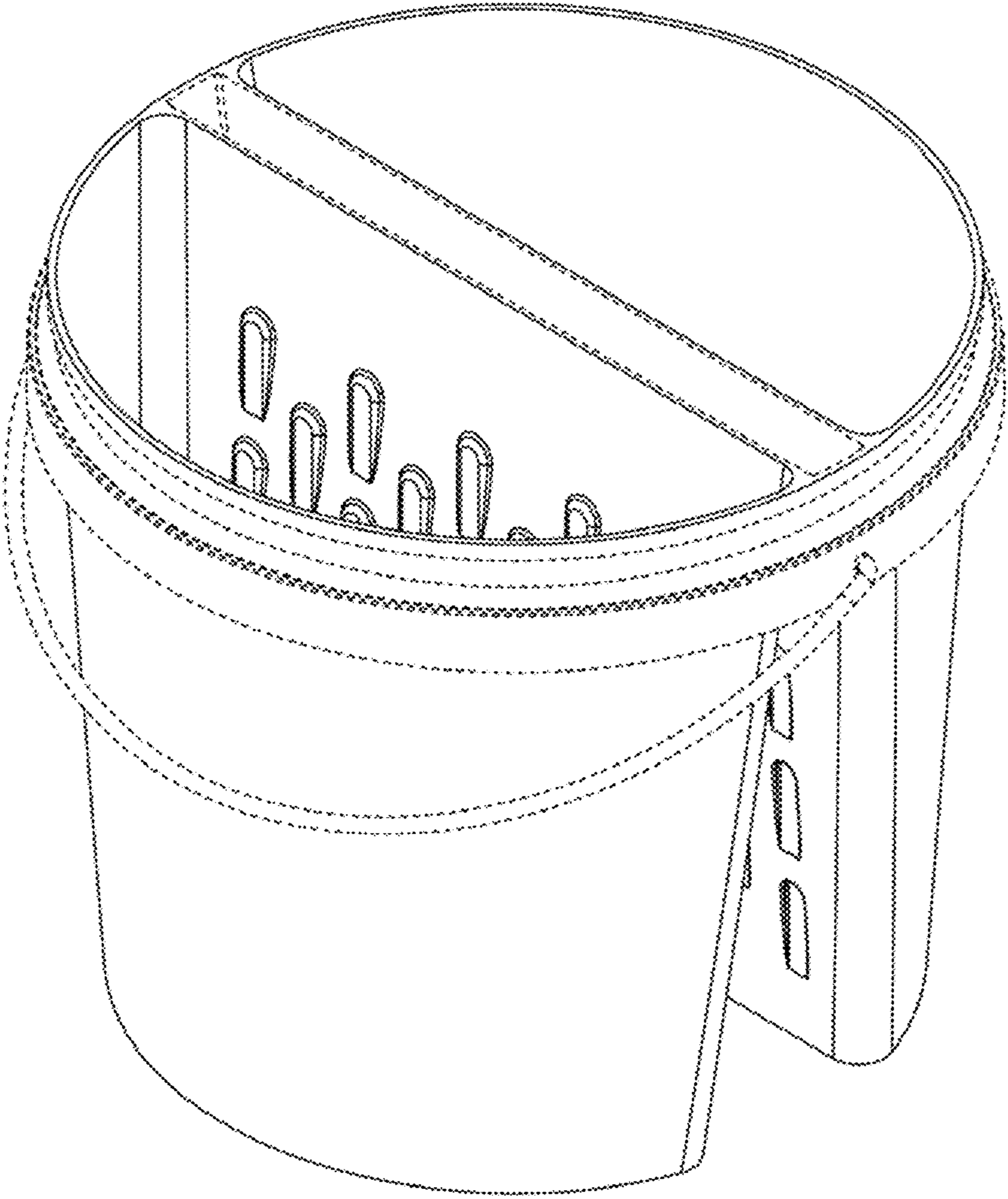


FIG. 1

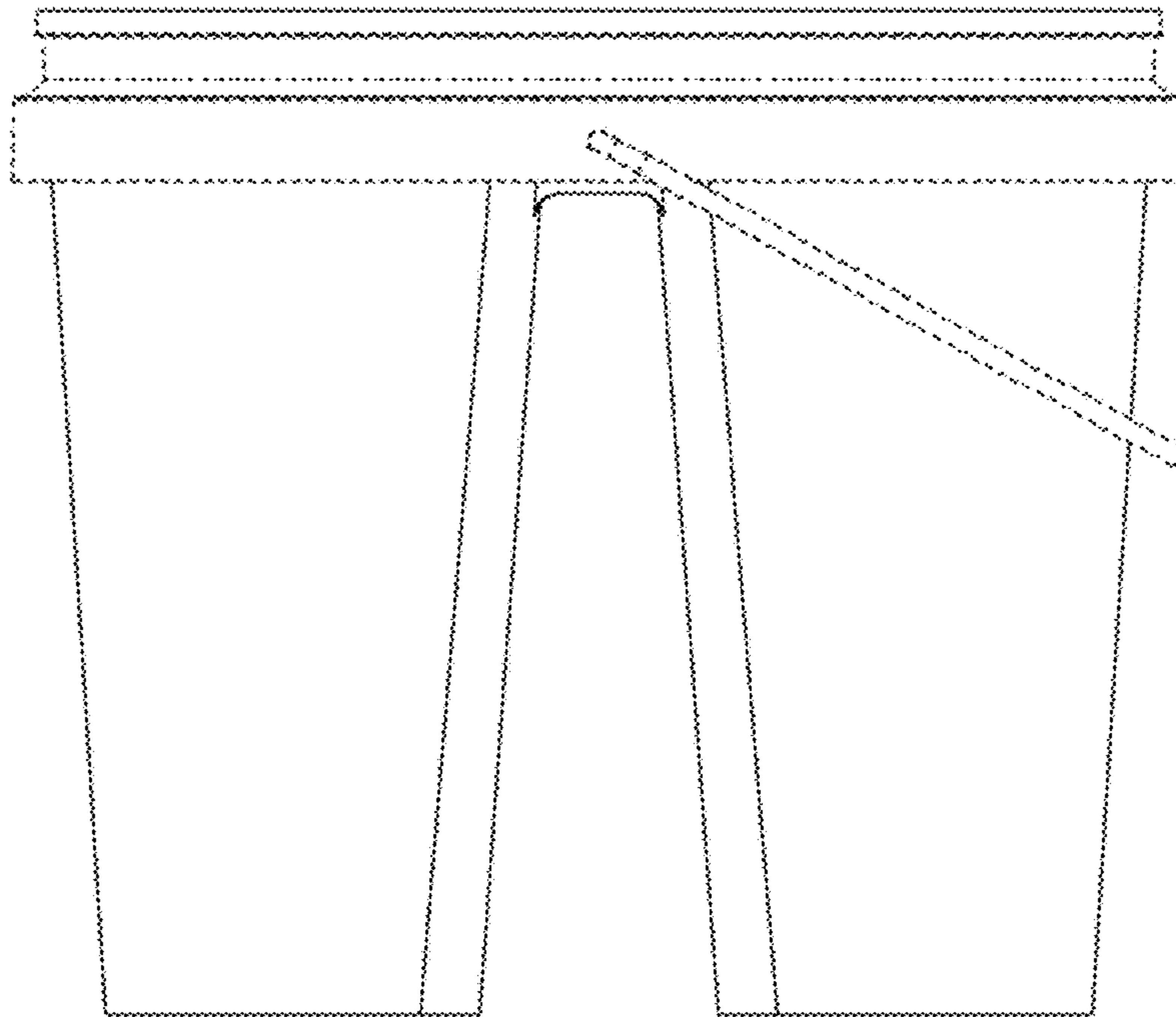


FIG. 2

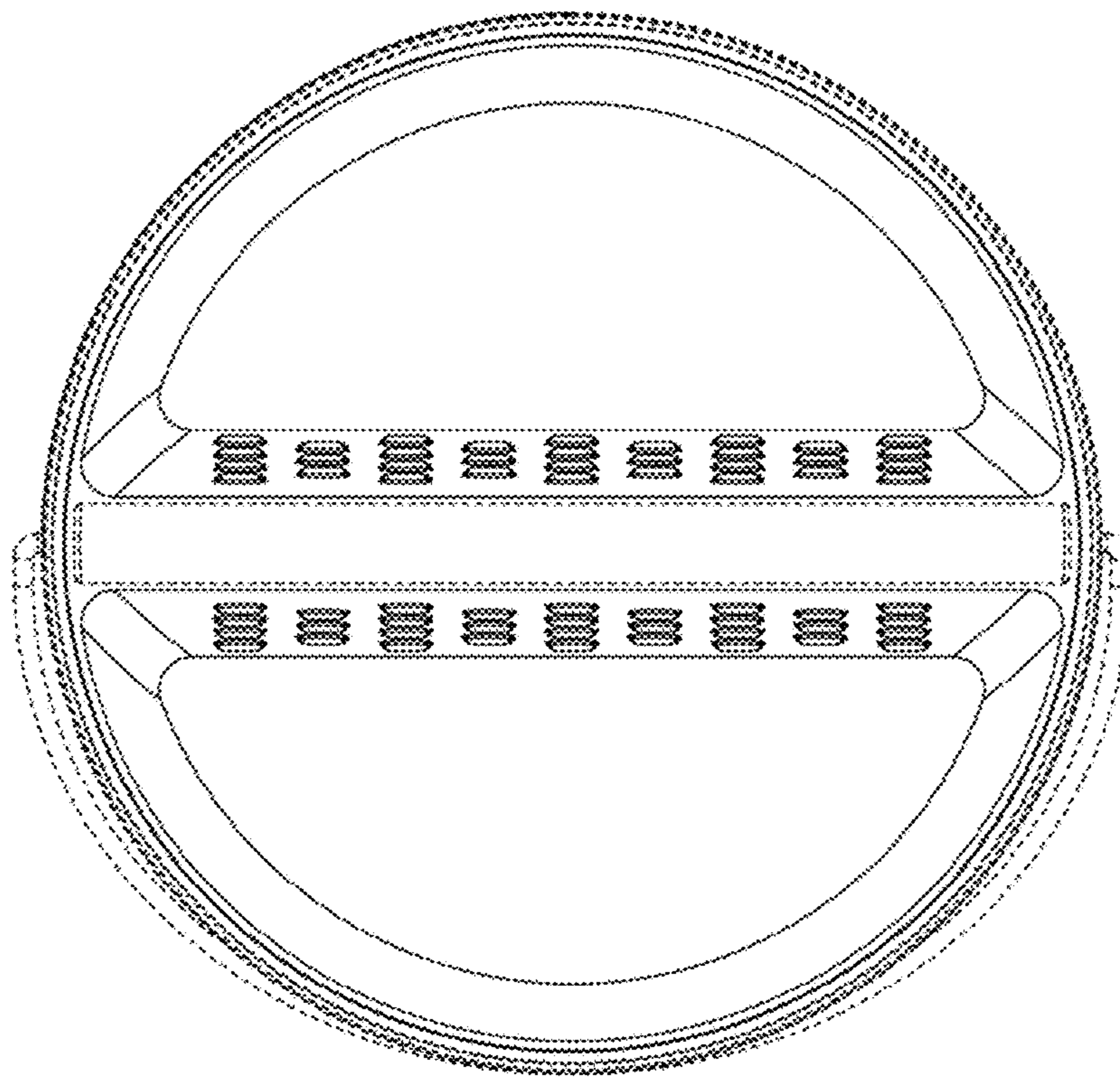


FIG. 3

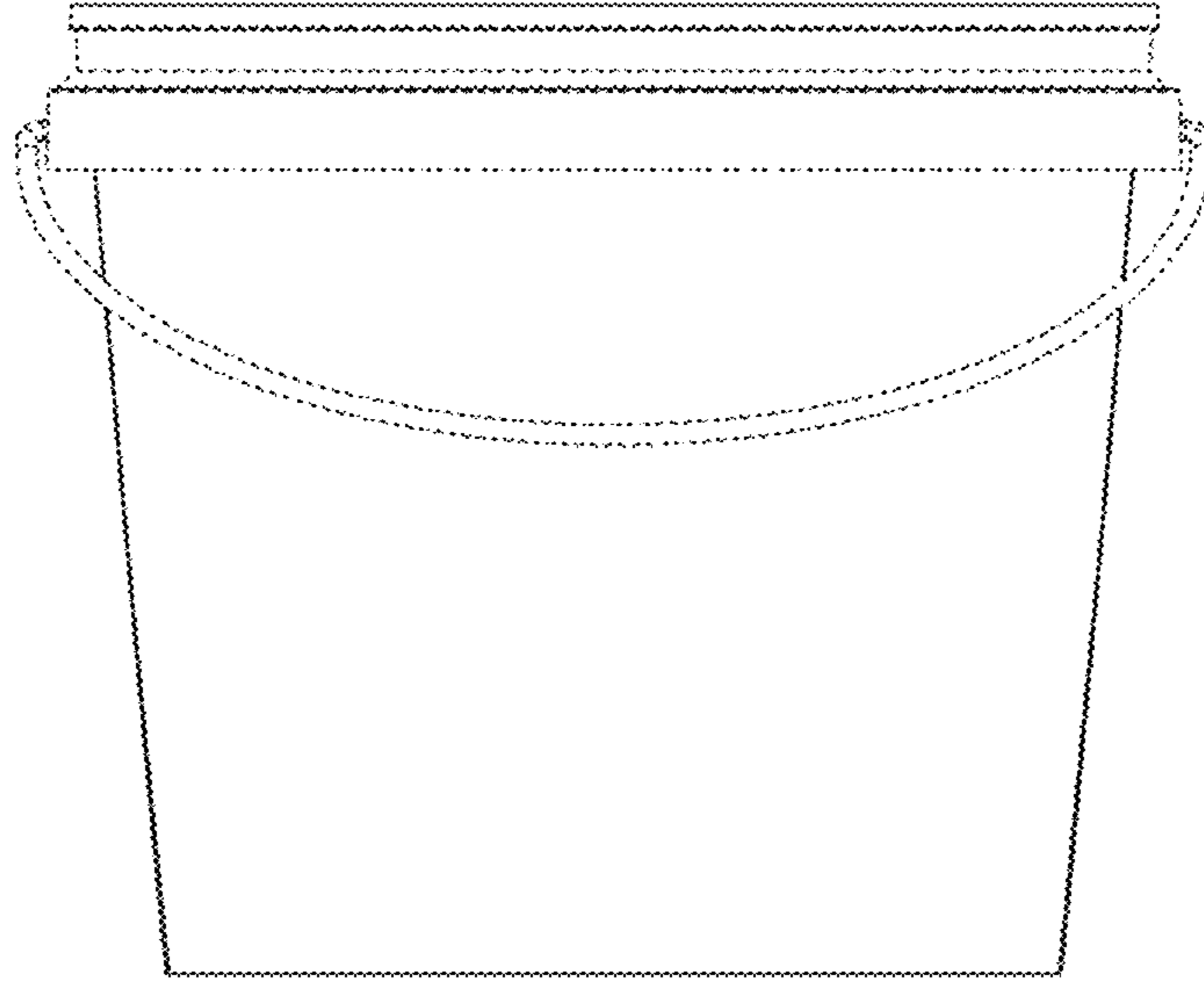


FIG. 4

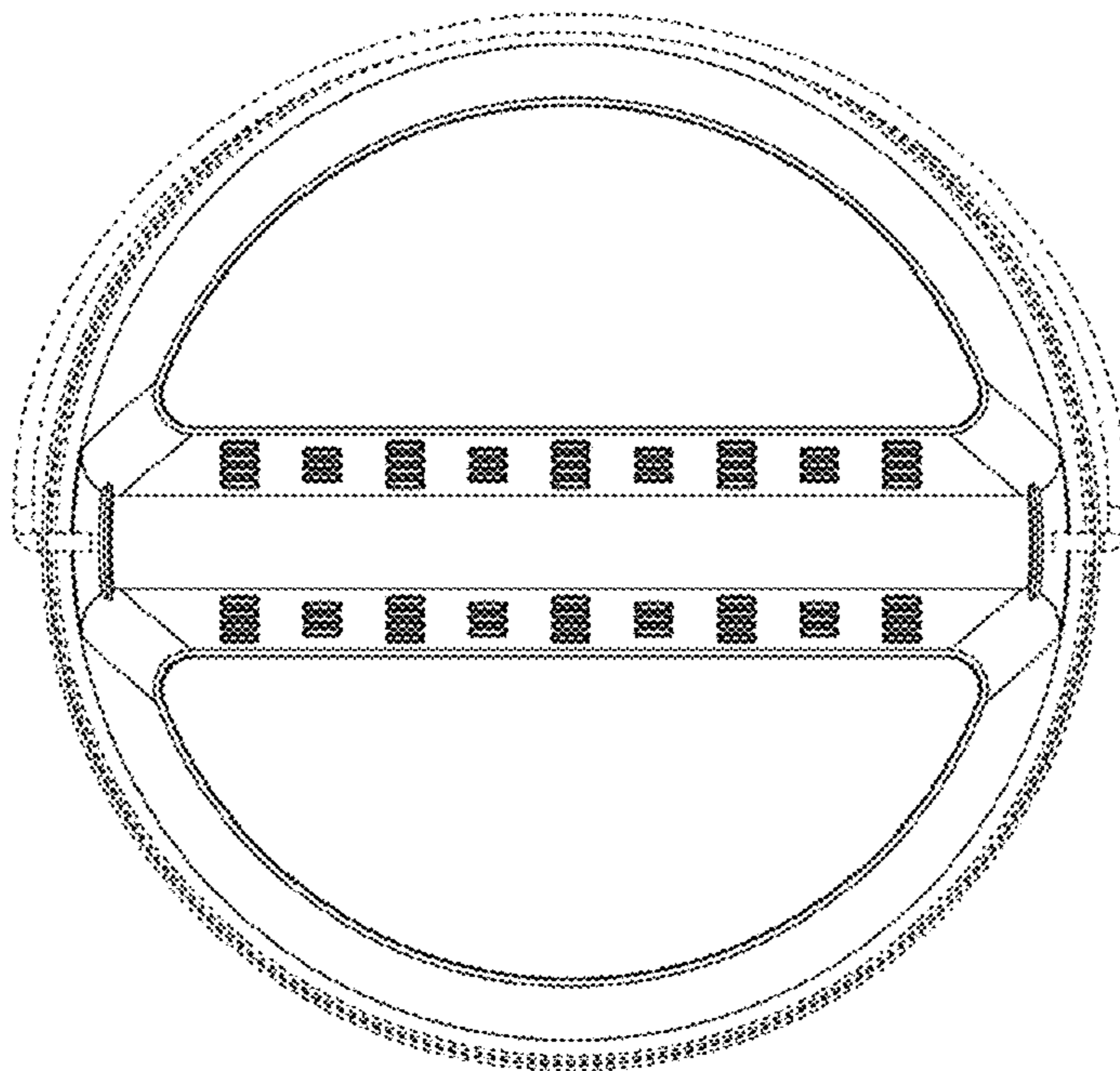


FIG. 5