



US00D801607S

(12) **United States Design Patent** (10) **Patent No.:** **US D801,607 S**
Donald et al. (45) **Date of Patent:** **** Oct. 31, 2017**

(54) **SPONGE WITH CONTAINER FOR SOAP**

Gatehouse-Baron-Satin-Nickel-Mushroom-Passage-Door-Knob/
3277219, site visited Mar. 9, 2017.*

(71) Applicant: **JOSEPH JOSEPH LTD**, London (GB)

(Continued)

(72) Inventors: **Simon Donald**, London (GB); **Joe Wentworth**, London (GB)

Primary Examiner — John Windmuller

Assistant Examiner — John R Yeh

(73) Assignee: **Joseph Joseph Ltd.**, London (GB)

(74) *Attorney, Agent, or Firm* — Millen White Zelano & Branigan, P.C.

(**) Term: **15 Years**

(21) Appl. No.: **29/541,046**

(22) Filed: **Sep. 30, 2015**

(57) **CLAIM**

The ornamental design for a sponge with container for soap, as shown and described.

(30) **Foreign Application Priority Data**

DESCRIPTION

Apr. 9, 1920 (EM) 002677682-0001

(51) **LOC (10) Cl.** **07-05**

(52) **U.S. Cl.**
USPC **D32/40**

(58) **Field of Classification Search**
USPC D32/40-44; 16/110.1-429; D8/300-301,
D8/303, 305-307, 70, 62, 83; D4/120;
(Continued)

FIG. 1 is a top perspective view of the sponge with container for soap showing my new design.

FIG. 2 is a side view thereof.

FIG. 3 is another side view thereof.

FIG. 4 is a top view thereof.

FIG. 5 is bottom view thereof.

FIG. 6 is another side view thereof.

FIG. 7 is another side view thereof.

FIG. 8 is a bottom perspective view thereof.

FIG. 9 is a bottom perspective exploded view thereof.

FIG. 10 is a perspective view of the sponge with container for soap.

FIG. 11 is a side view of the sponge with container for soap.

FIG. 12 is another side view of the sponge with container for soap.

FIG. 13 is a top view of the sponge with container for soap.

FIG. 14 is bottom view of the sponge with container for soap.

FIG. 15 is another side view of the sponge with container for soap.

FIG. 16 is another side view of the sponge with container for soap.

FIG. 17 is a bottom perspective view of the sponge with container for soap; and,

FIG. 18 is a bottom perspective exploded view of the sponge with container for soap and soapy sponge.

(Continued)

(56) **References Cited**

U.S. PATENT DOCUMENTS

175,025 A * 3/1876 Burns A47B 95/02
16/418
349,642 A * 9/1886 Gibson et al. G05G 1/12
123/651

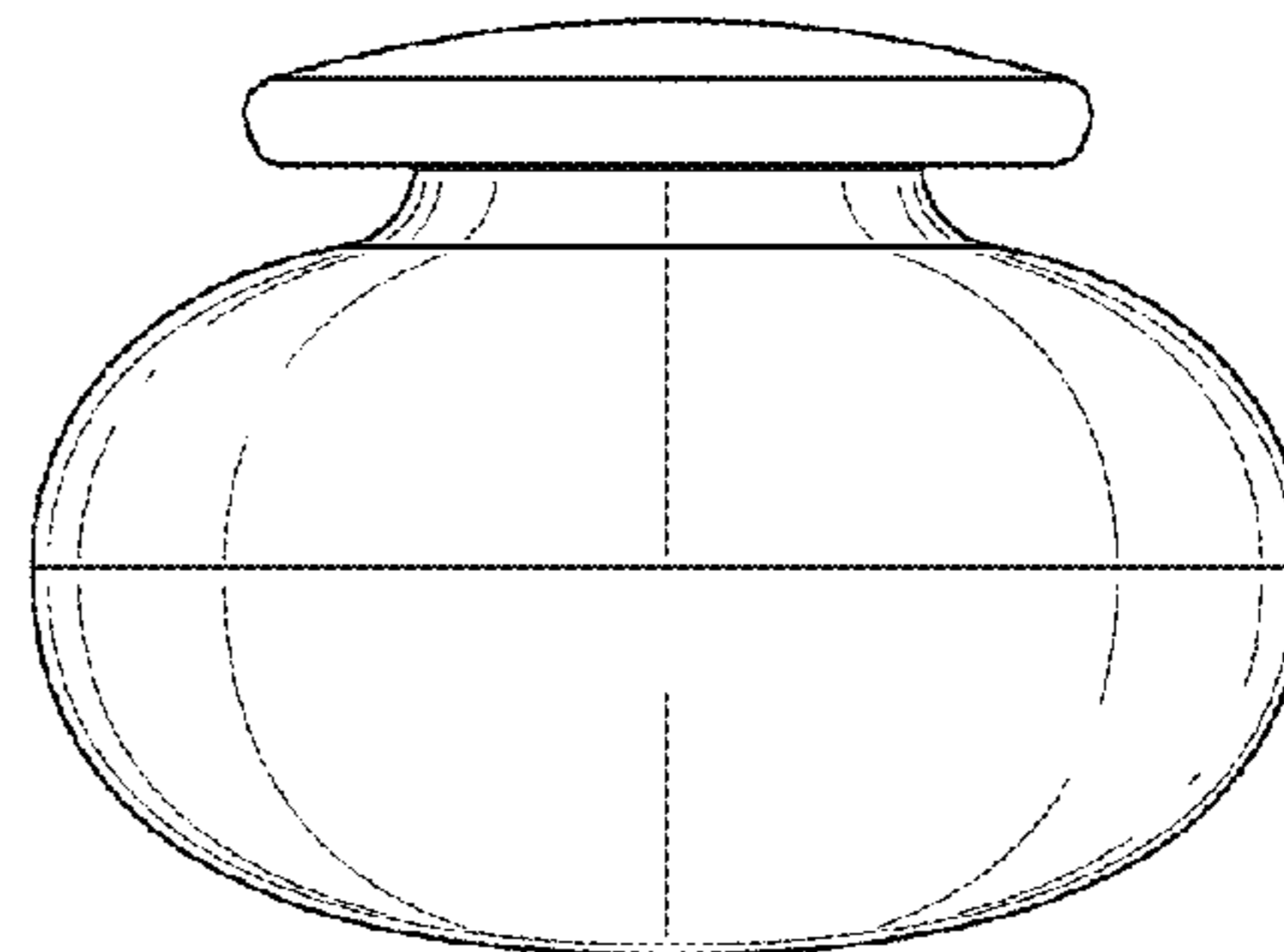
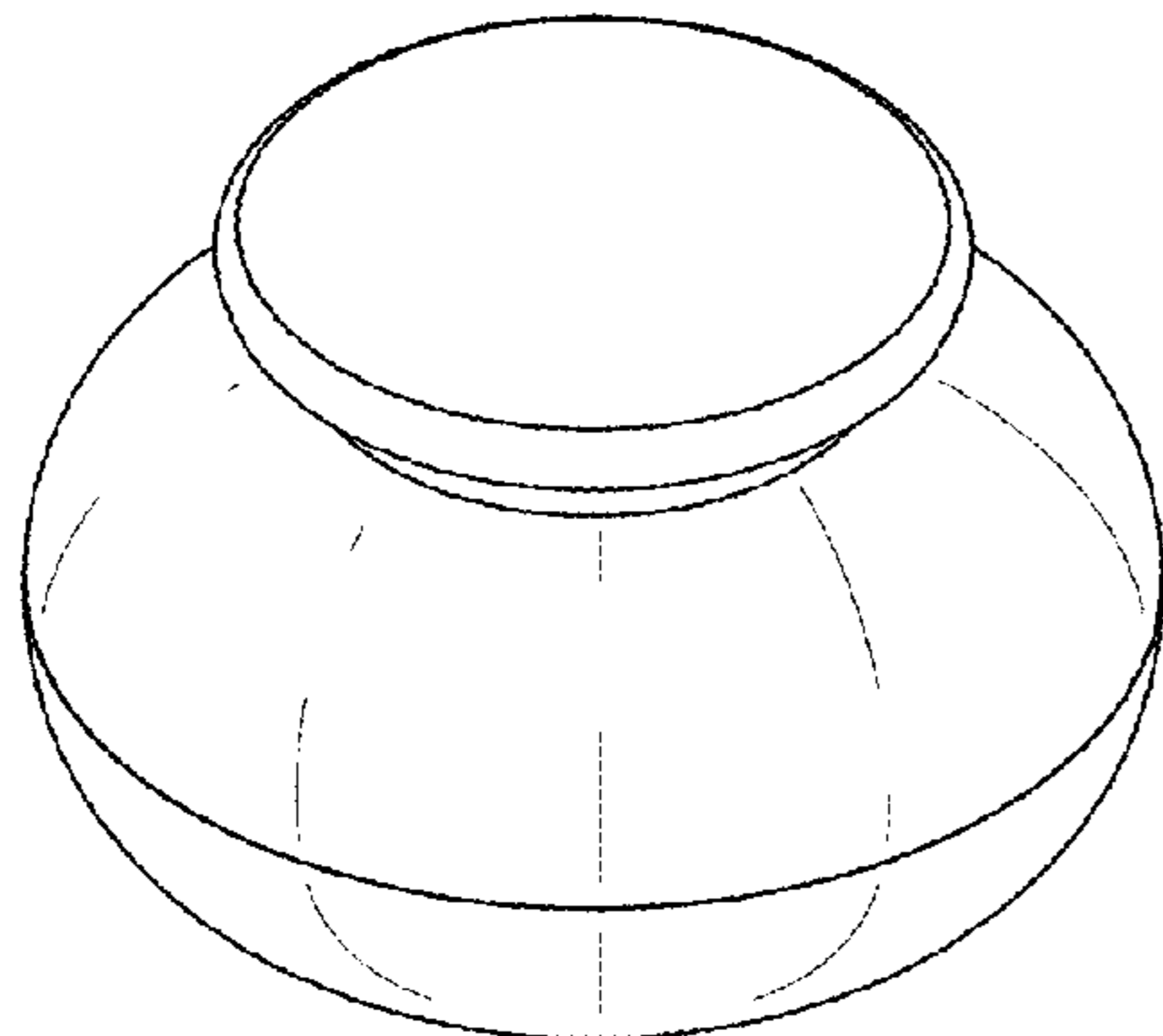
(Continued)

FOREIGN PATENT DOCUMENTS

GB 2007768 * 10/1990

OTHER PUBLICATIONS

Gatehouse Baron Satin Nickel Mushroom Passage Door Knob at
Lowe's.com, review date Sep. 2, 2013, <https://www.lowes.com/pd/>



The broken lines in the drawings illustrate portions of the sponge with container for soap which form no part of the claimed design.

1 Claim, 18 Drawing Sheets

(58) **Field of Classification Search**

USPC D9/519, 545, 516, 503; D13/134;
D7/510
CPC .. A47B 95/02; A47K 7/02; A63H 3/00; A47L
13/16

See application file for complete search history.

(56) **References Cited**

U.S. PATENT DOCUMENTS

403,340 A * 5/1889 Foy A47B 95/02
16/414
808,627 A * 1/1906 Booth 16/417
1,270,536 A * 6/1918 Maher A47L 13/16
15/244.1
D61,047 S * 6/1922 Mace D9/503
1,475,748 A * 11/1923 Christensen A47L 13/23
401/203
1,511,969 A * 10/1924 Hoy A47K 7/028
15/244.1
1,524,008 A * 1/1925 Anastasia A47K 7/03
401/19
1,592,430 A * 7/1926 La Belle A47K 7/02
401/204
1,877,155 A * 9/1932 Abraham A47L 13/022
15/229.11
1,921,921 A * 8/1933 Harvie A47L 13/23
15/244.1
D96,091 S * 7/1935 Chernoff D7/300.1
D172,633 S * 7/1954 Niemann D6/349
2,784,512 A * 3/1957 Goodwin A47G 33/08
220/4.21
2,915,251 A * 12/1959 North, Jr. B65D 83/32
222/394
D212,525 S * 10/1968 Kneapler D9/500
3,893,205 A * 7/1975 Anderson B23K 20/227
16/414
D243,065 S * 1/1977 Picker D7/540
D262,438 S * 12/1981 Sears D9/503
4,369,773 A * 1/1983 Chvapil A61F 6/08
128/832
D268,613 S * 4/1983 Beacham D23/369
4,764,707 A * 8/1988 Cheng Wei H01K 1/28
313/112
5,008,551 A * 4/1991 Randolph E05B 17/106
16/414
D319,971 S * 9/1991 Rhodes D9/439
D336,855 S * 6/1993 Tacconelli D9/454
D345,915 S * 4/1994 Fareri D9/521
D381,561 S * 7/1997 Manca D23/366
D383,070 S * 9/1997 Workman D9/542
D397,879 S * 9/1998 Hutton D6/349
D401,834 S * 12/1998 Burns D8/310
D484,994 S * 1/2004 Vakil D26/2

D487,697 S * 3/2004 Rosen D9/519
D506,136 S * 6/2005 Wilde D9/503
D529,338 S * 10/2006 Poulson D7/510
D565,385 S * 4/2008 Jou D8/307
D586,751 S * 2/2009 Coushaine D13/134
D592,483 S * 5/2009 Ricereto D8/307
D610,544 S * 2/2010 Coushaine D13/134
D610,545 S * 2/2010 Coushaine D13/134
D619,964 S * 7/2010 Coushaine D13/134
D630,097 S * 1/2011 Brochado D9/503
D713,236 S * 9/2014 Park D8/310
D720,890 S * 1/2015 Shen D28/82
D723,352 S * 3/2015 Ramsland D8/310
D725,942 S * 4/2015 Rieber A47C 16/02
D6/601
D746,389 S * 12/2015 Rohanna D21/680
D751,393 S * 3/2016 Lynd D9/439
D779,881 S * 2/2017 Lee D7/510
2014/0299275 A1 * 10/2014 Melet A47K 5/03
156/580

OTHER PUBLICATIONS

How to Adjust a Toilet Fill Valve, article date Jan. 25, 2017, <https://www.thespruce.com/adjusting-types-of-toilet-ballcocks-1824861>, site visited Mar. 6, 2017.*
ALibaba Makeup Sponge Foundation Sponges Cosmetic Puff with handle, oldest review 2016, https://www.aliexpress.com/tsid=e98f338e-be30-4002-908f-6d6a381f99c8&algo_expid=b947c8bf-28c2-452c-bac0-6abc6dfd36a4-10&algo_pvid=b947c8bf-28c2-452c-bac0-6abc6dfd36a4, [site visited Mar. 9, 2017 4:47:22 PM].*
Joseph Joseph Soapy-Sponge with Soap-Dispenser, oldest review 2016, site visited Mar. 9, 2017, <http://www.houseoffraser.co.uk/Joseph+Joseph+Soapy-Sponge+with+Soap-Dispenser,+Pack+of+3/225874866>, default,pd.html#BVRRWidgetID.*
Amazon.com: OXO Good Grips Soap Dispensing Palm Brush, review date Sep. 29, 2012, https://www.amazon.com/OXO-Good-Grips-Dispensing-Brush/dp/B00004OCLK/ref=sr_1_22?ie=UTF8&id=1488497352&sr=8-22&keywords=soap+sponge#customerReviews, [site visited Mar. 2, 2017 6:32:32 PM].*
50 Pcs Pink Color Balls Soft Sponge Hair Curler Rollers Hair Accessory Hot Sell | eBay, site revision date Feb. 11, 2015, <http://www.ebay.ca/itm/400856111649>, [site visited Mar. 10, 2017 4:38:28 PM].*
Amerock BP53012ORB Allison Knob | The Mine, customer review date Mar. 25, 2009, https://www.themine.com/cabinet-knobs/amerock-bp53012-allison-knob_6520633.html?p... site visited Jun. 13, 2017.*
Amazon.com: Bulk Pack of 12—Authentic Evergreen Rubber Stoppers, review date Jun. 14, 2015, https://www.amazon.com/Bulk-Pack-12-Authentic-Evergreen/dp/B003Z54A80/ref=sr_1_35?ie=UTF8&qid=1497306400&sr=8-35&keywords=rubber+stoppers, [site visited Jun. 12, 2017 6:28:05 PM].*
Vintage Davol Ice Cap Ice Pack in box Midcentury, circa 1960, <https://www.etsy.com/listing/261623865/vintage-davol-ice-cap-ice-pack-in-box?ref=market>, [site visited Jun. 12, 2017 6:24:30 PM].*

* cited by examiner

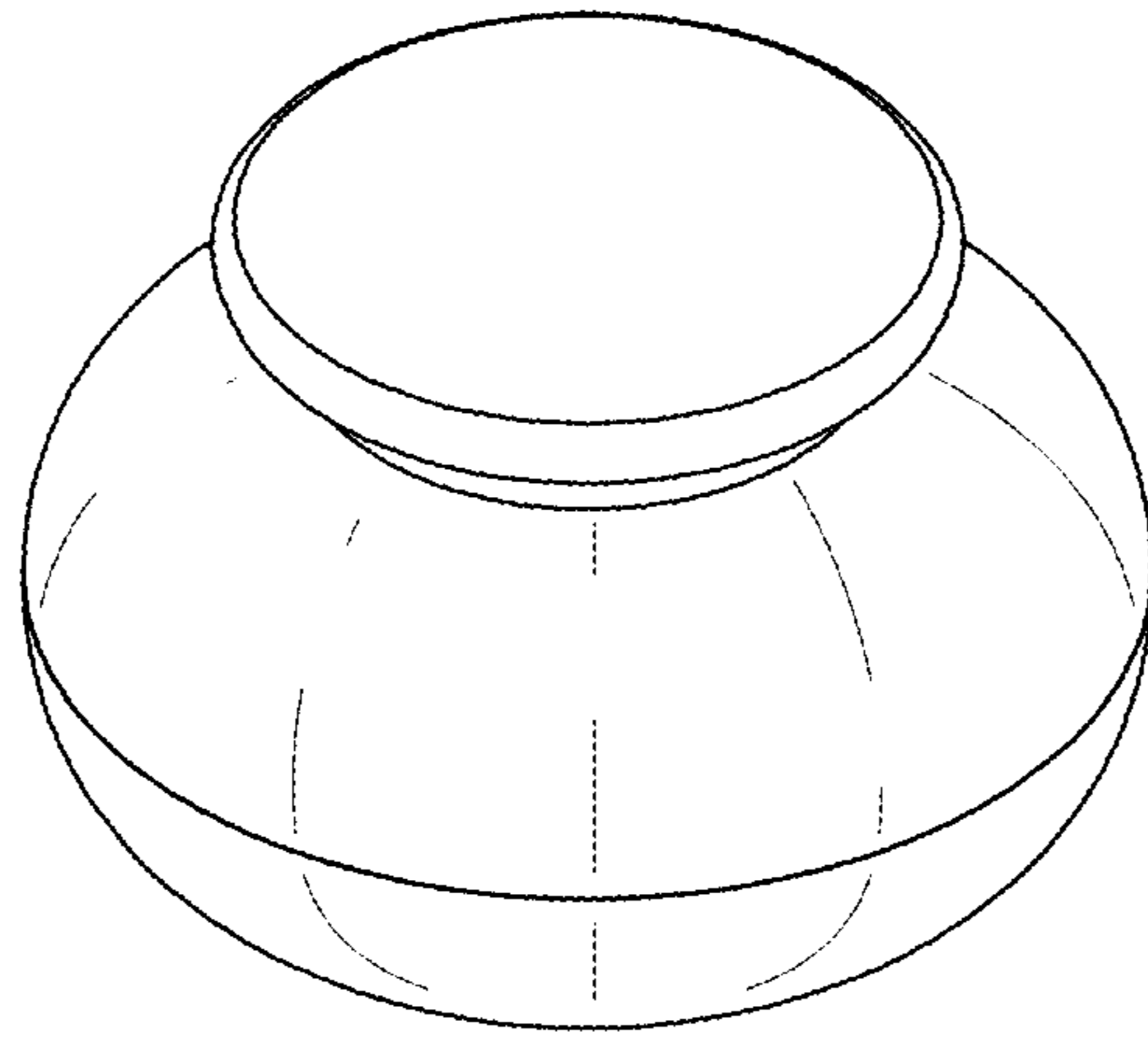


Fig.1

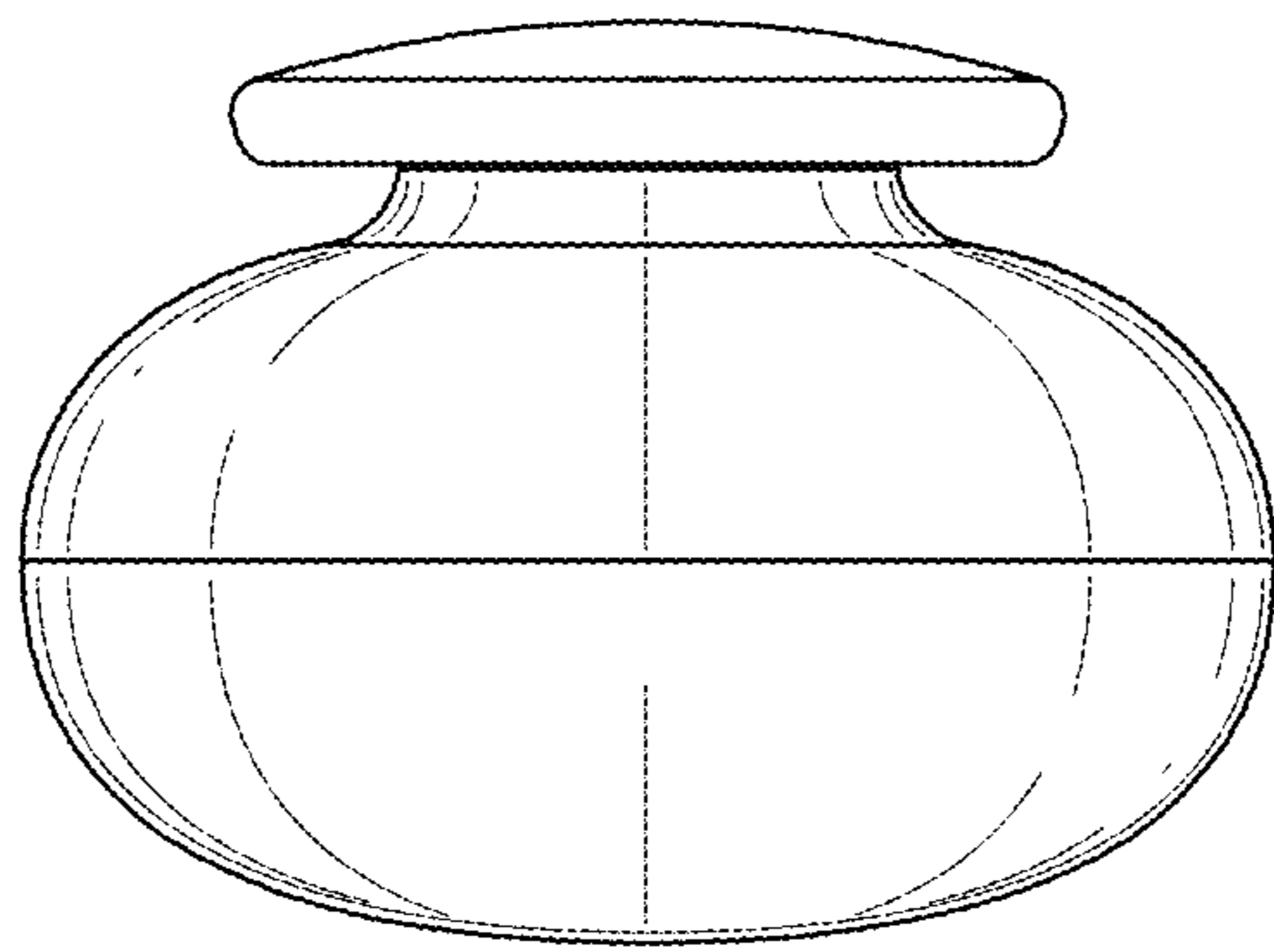


Fig 2

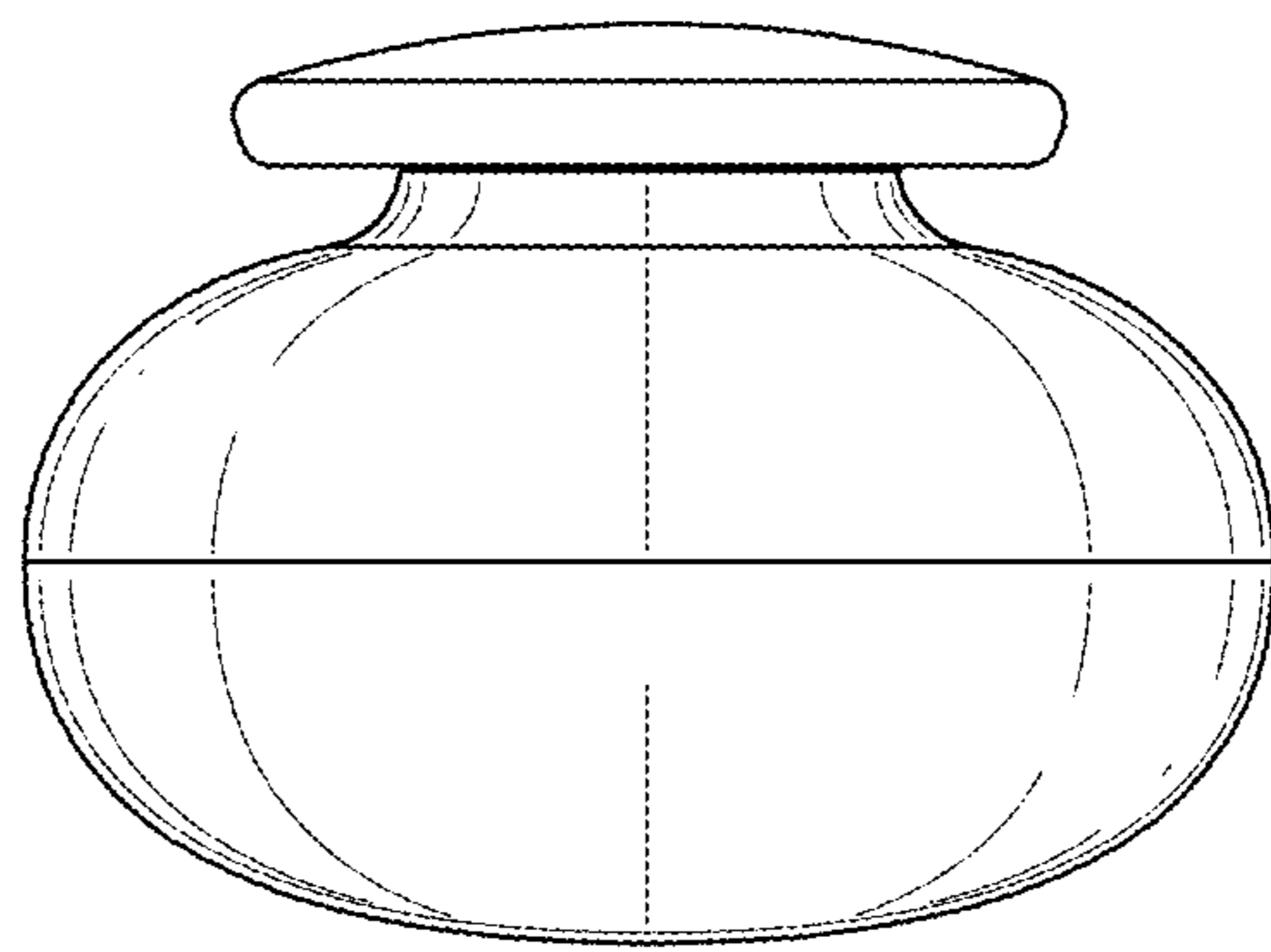


Fig 3

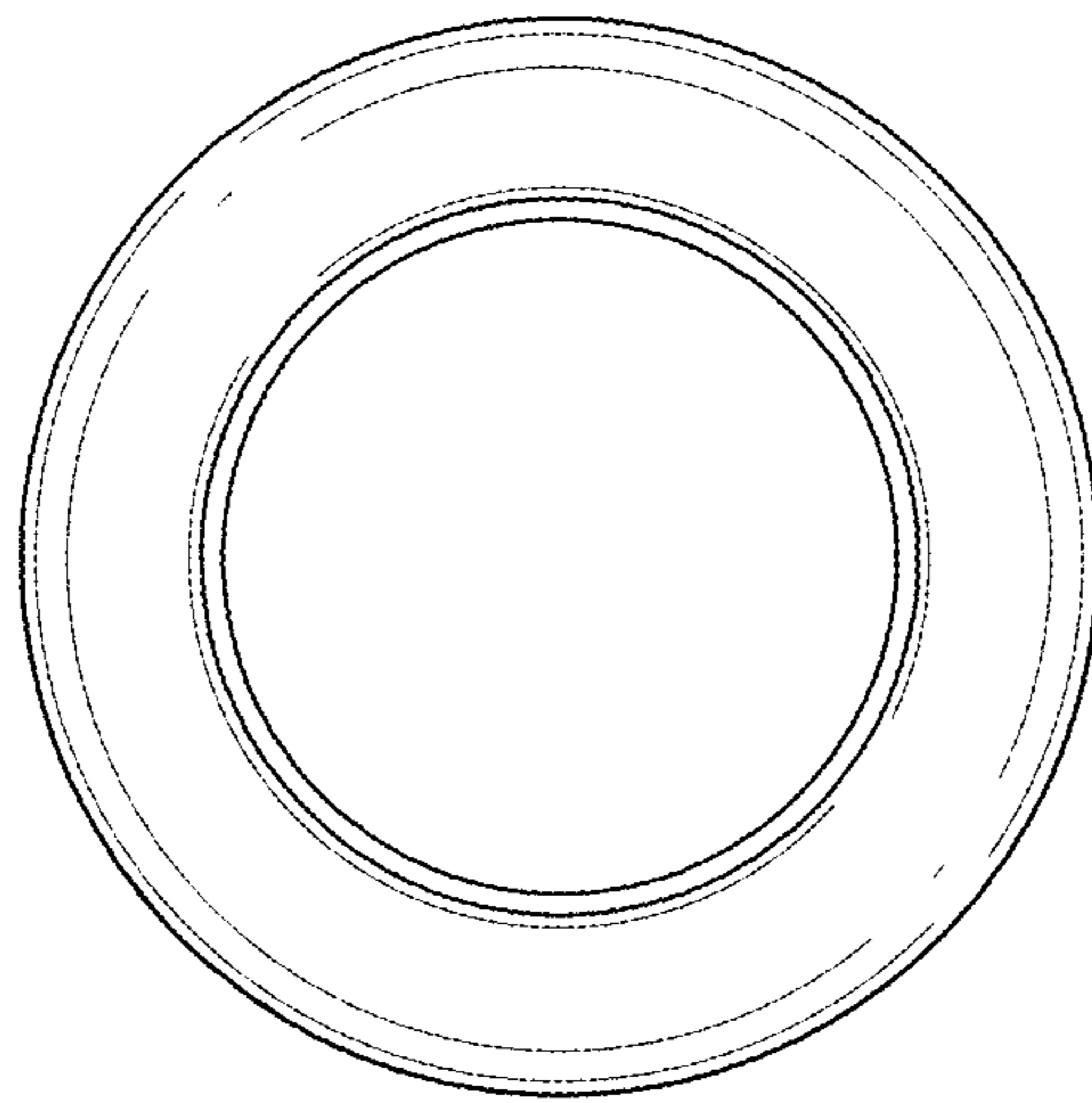


Fig.4

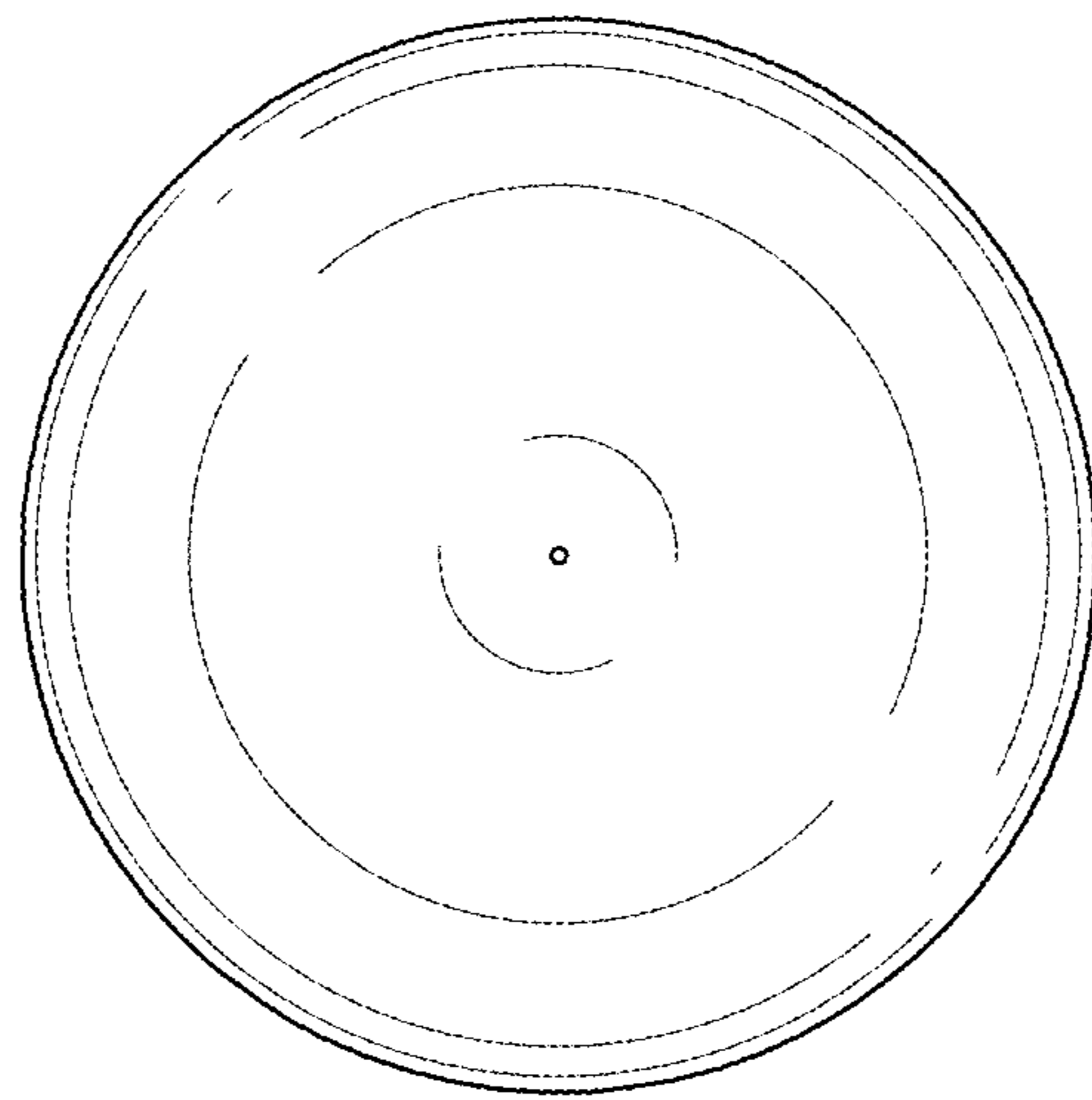


Fig.5

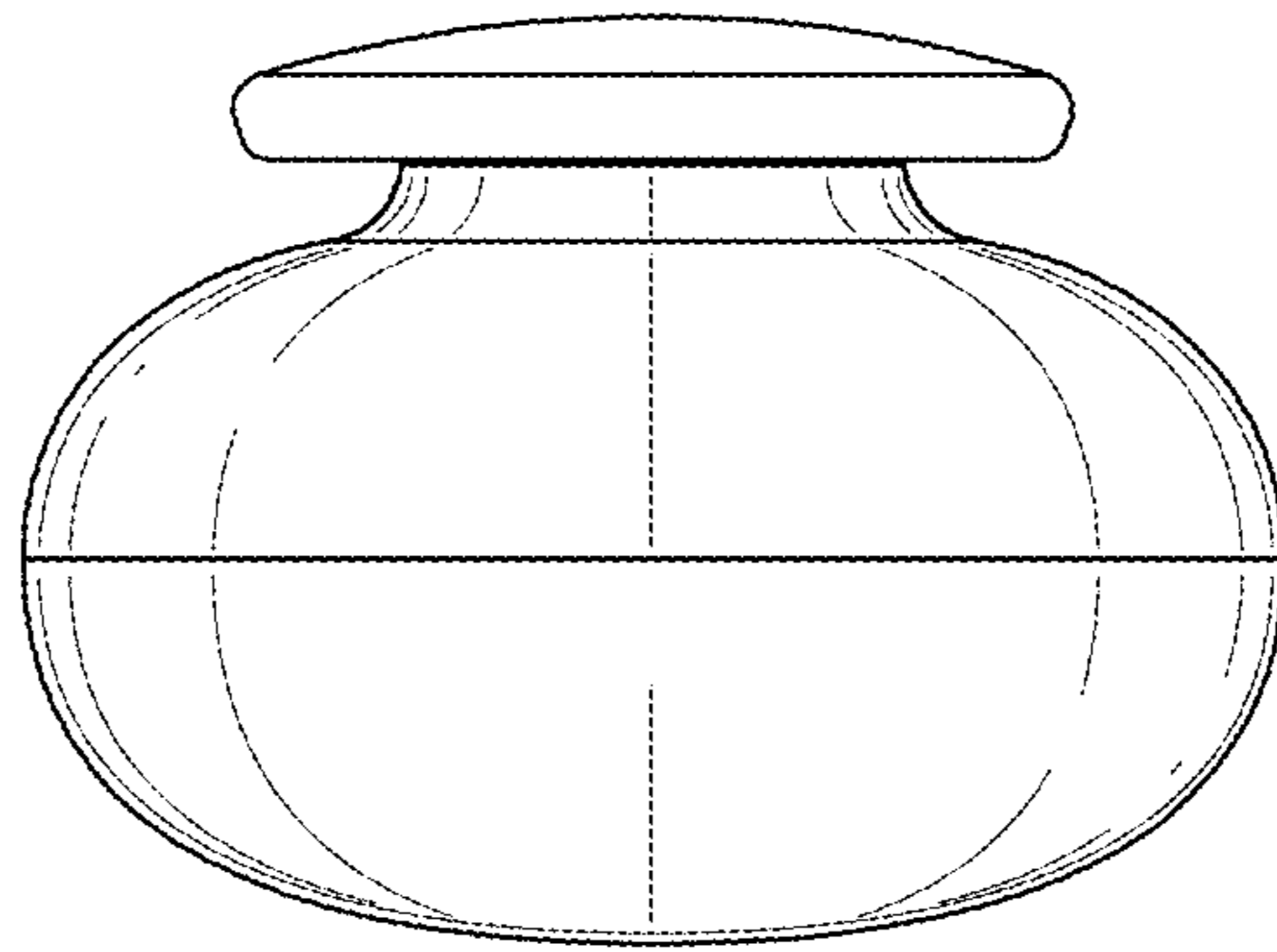


Fig.6

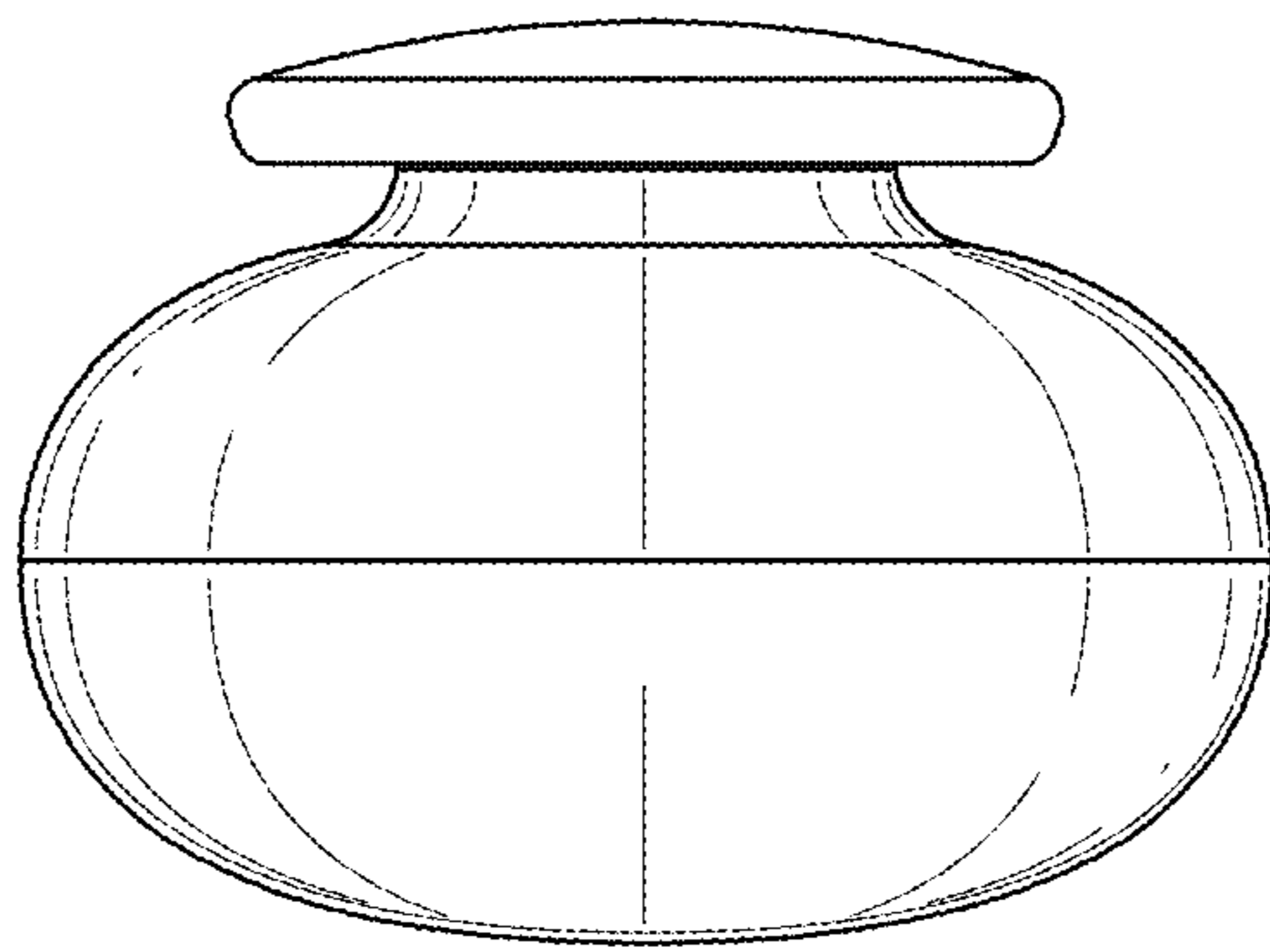


Fig.7

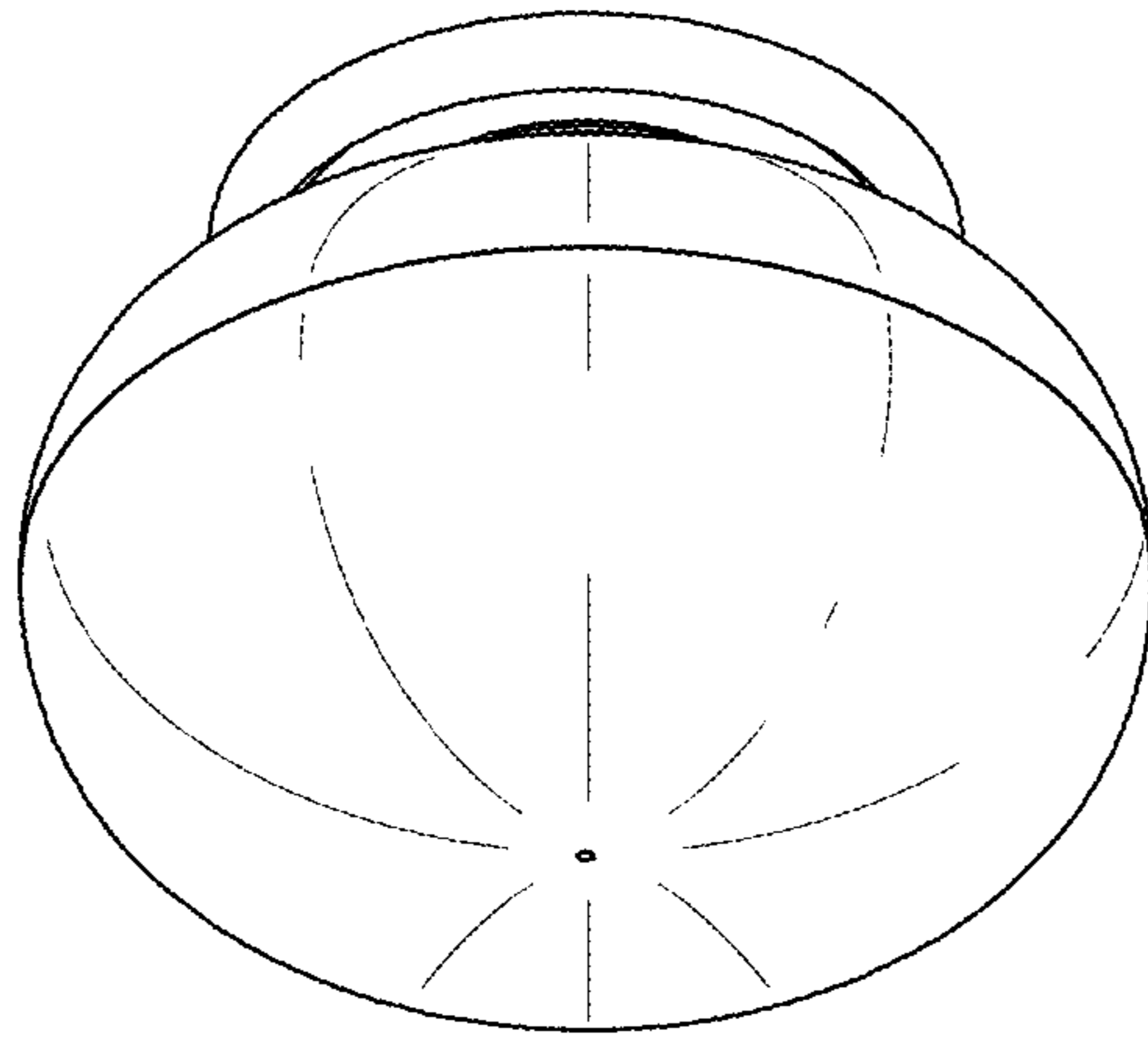


Fig.8

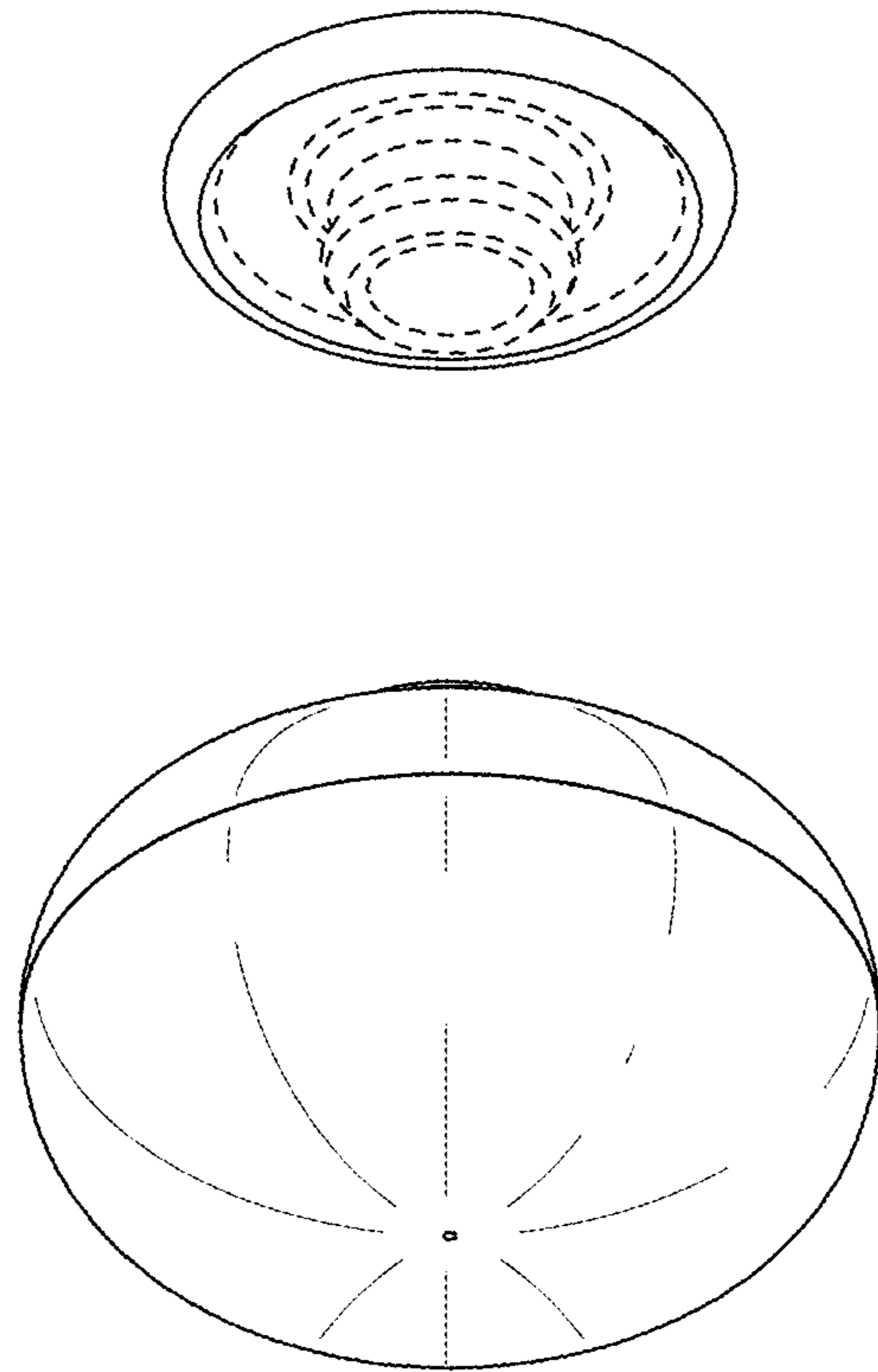


Fig.9

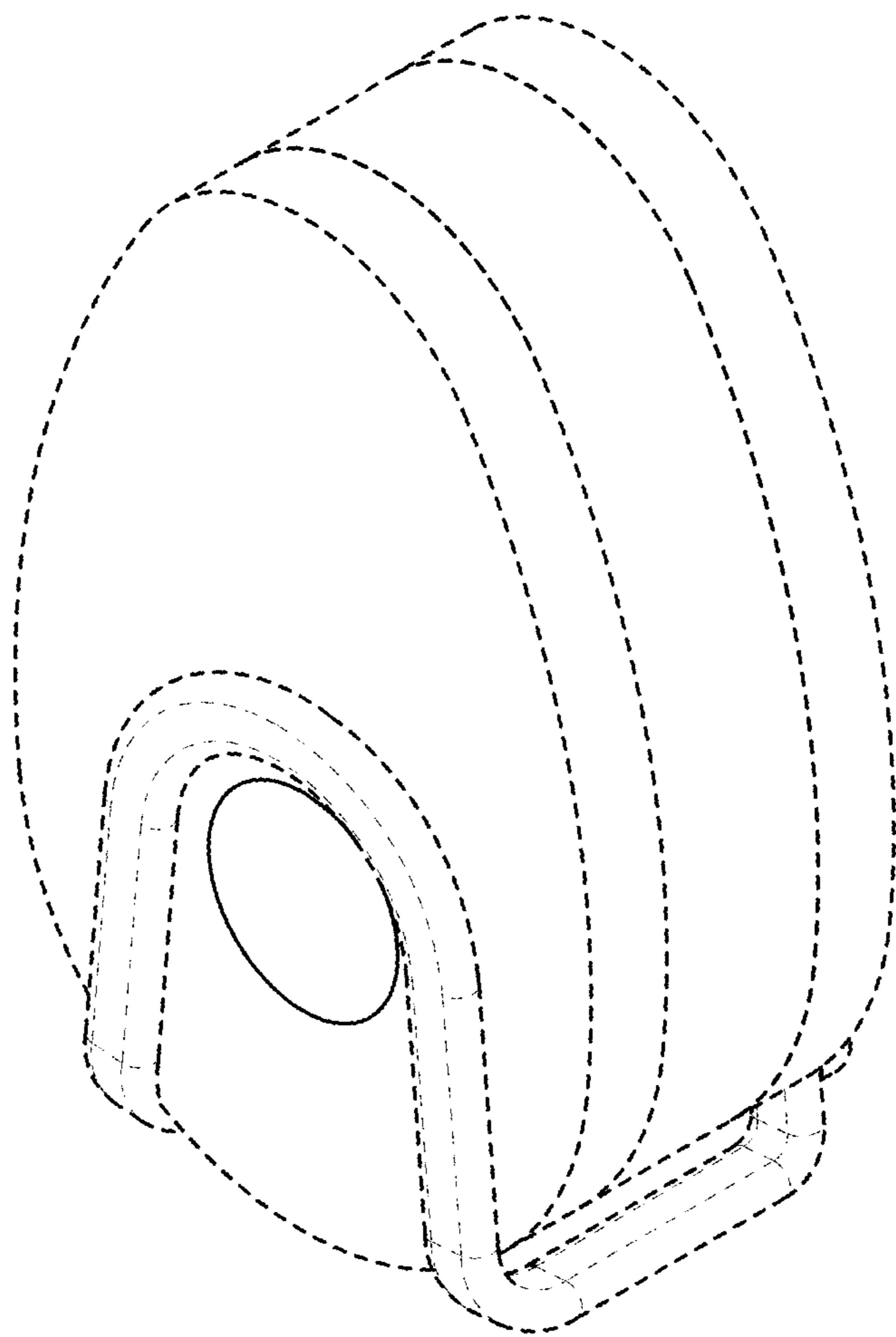


Fig.10

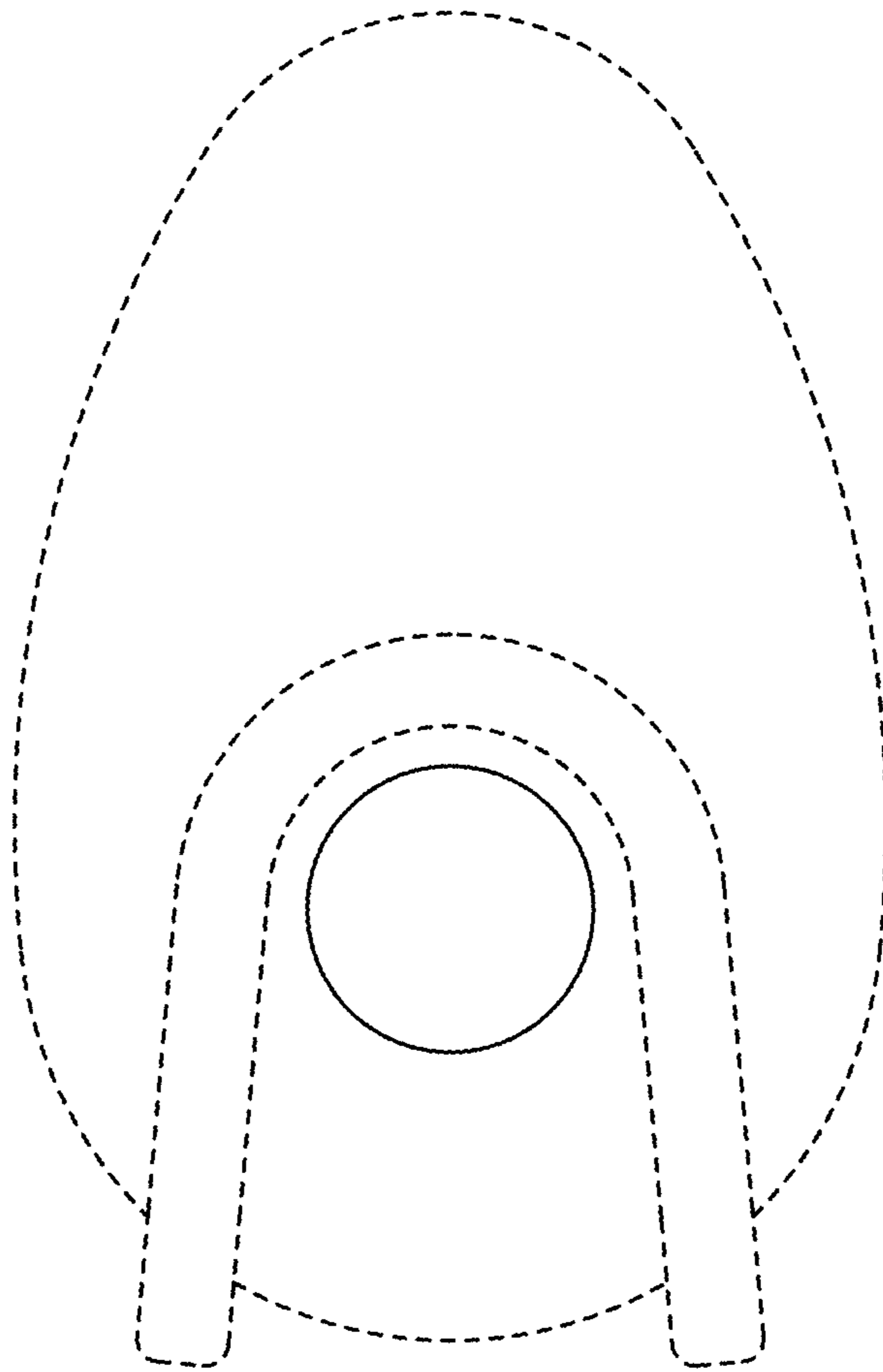


Fig.11

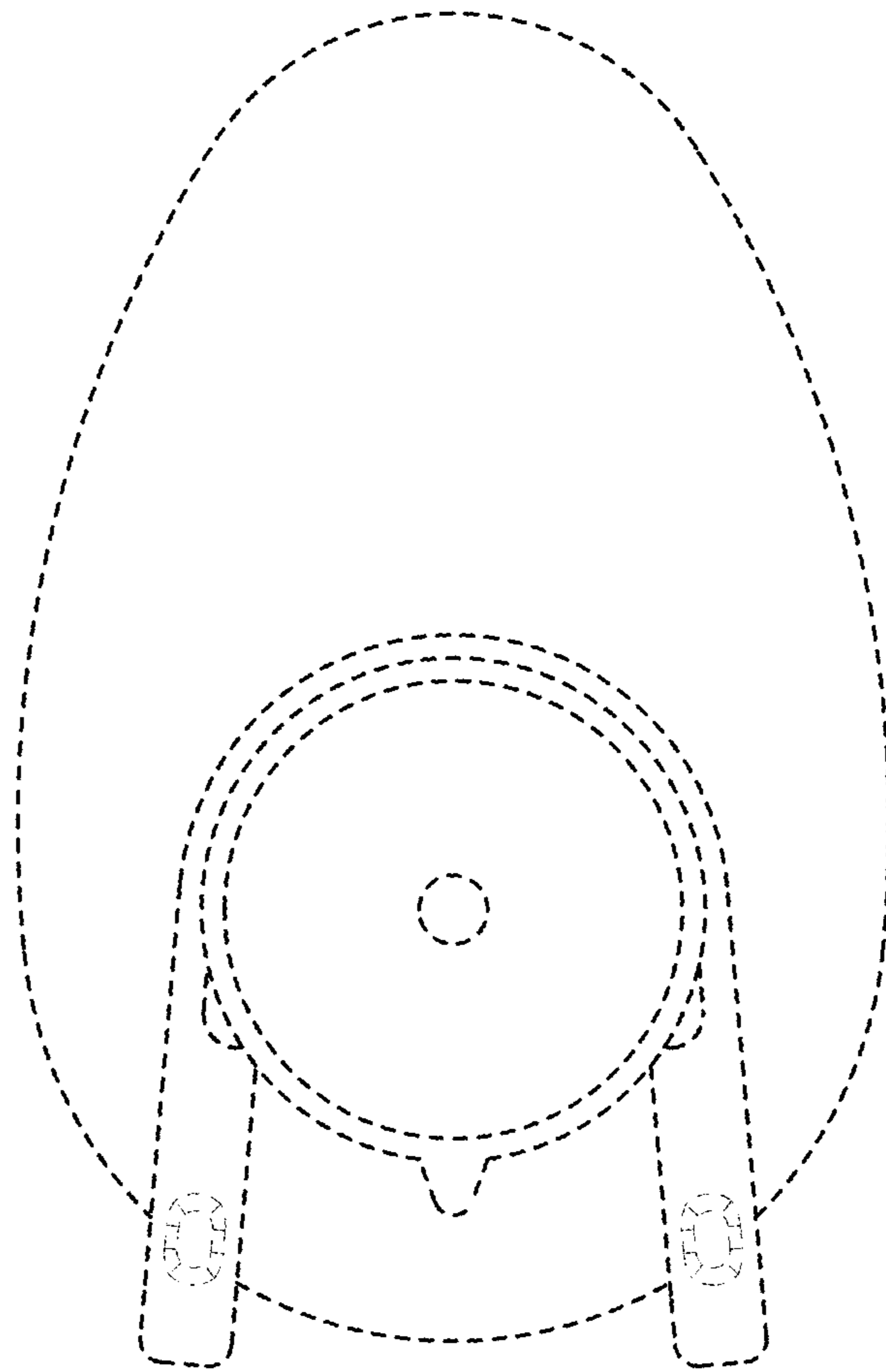


Fig.12

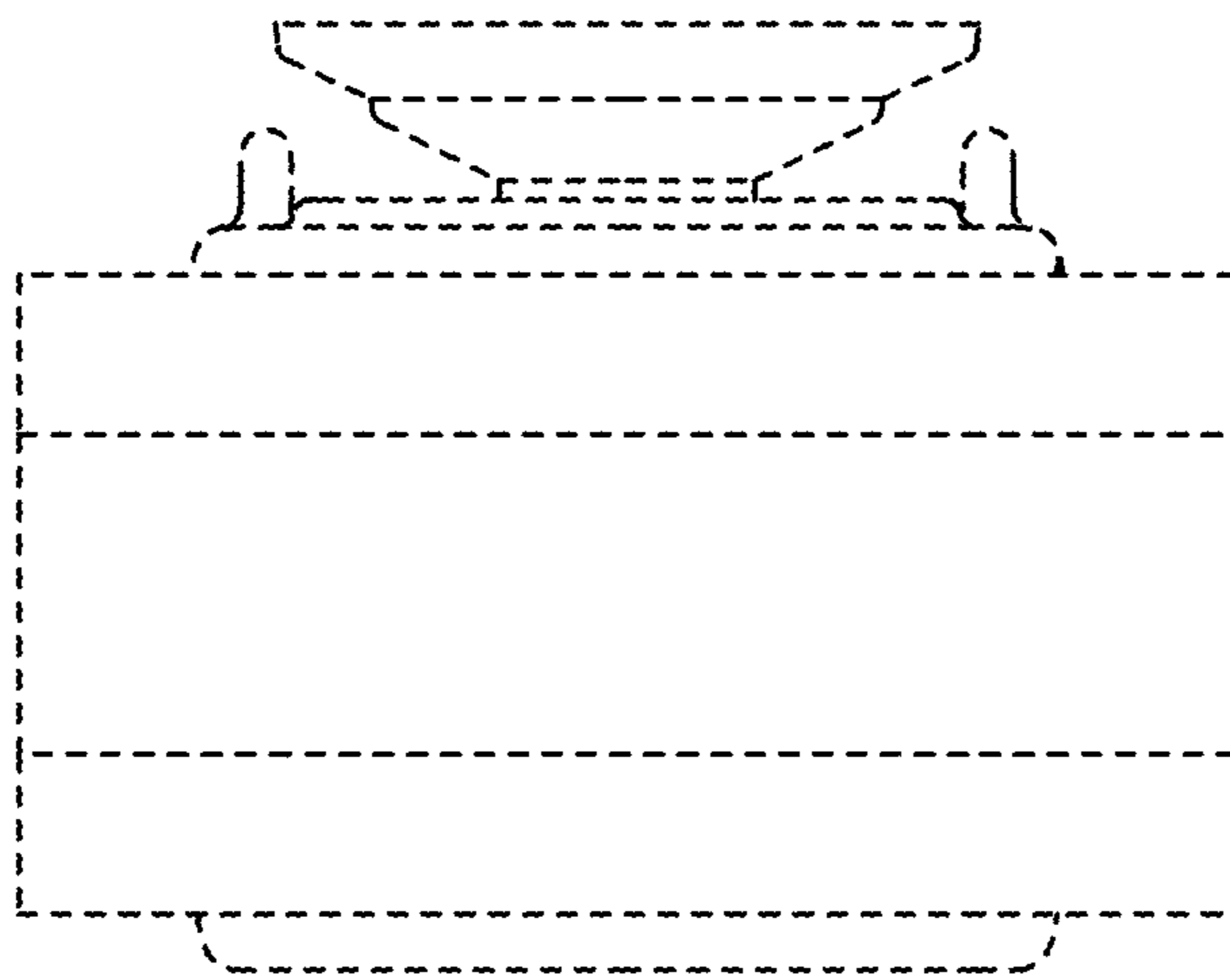


Fig.13

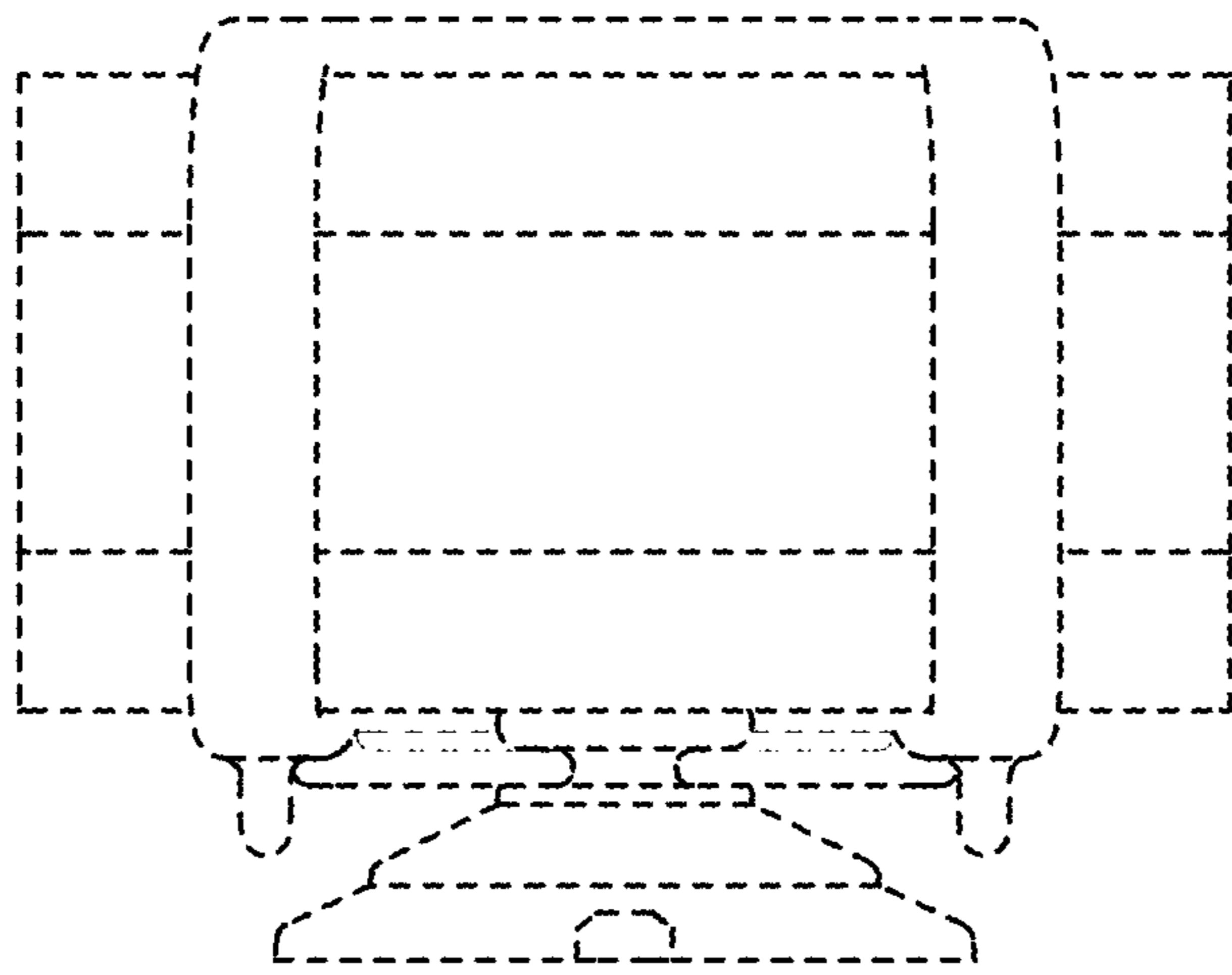


Fig.14

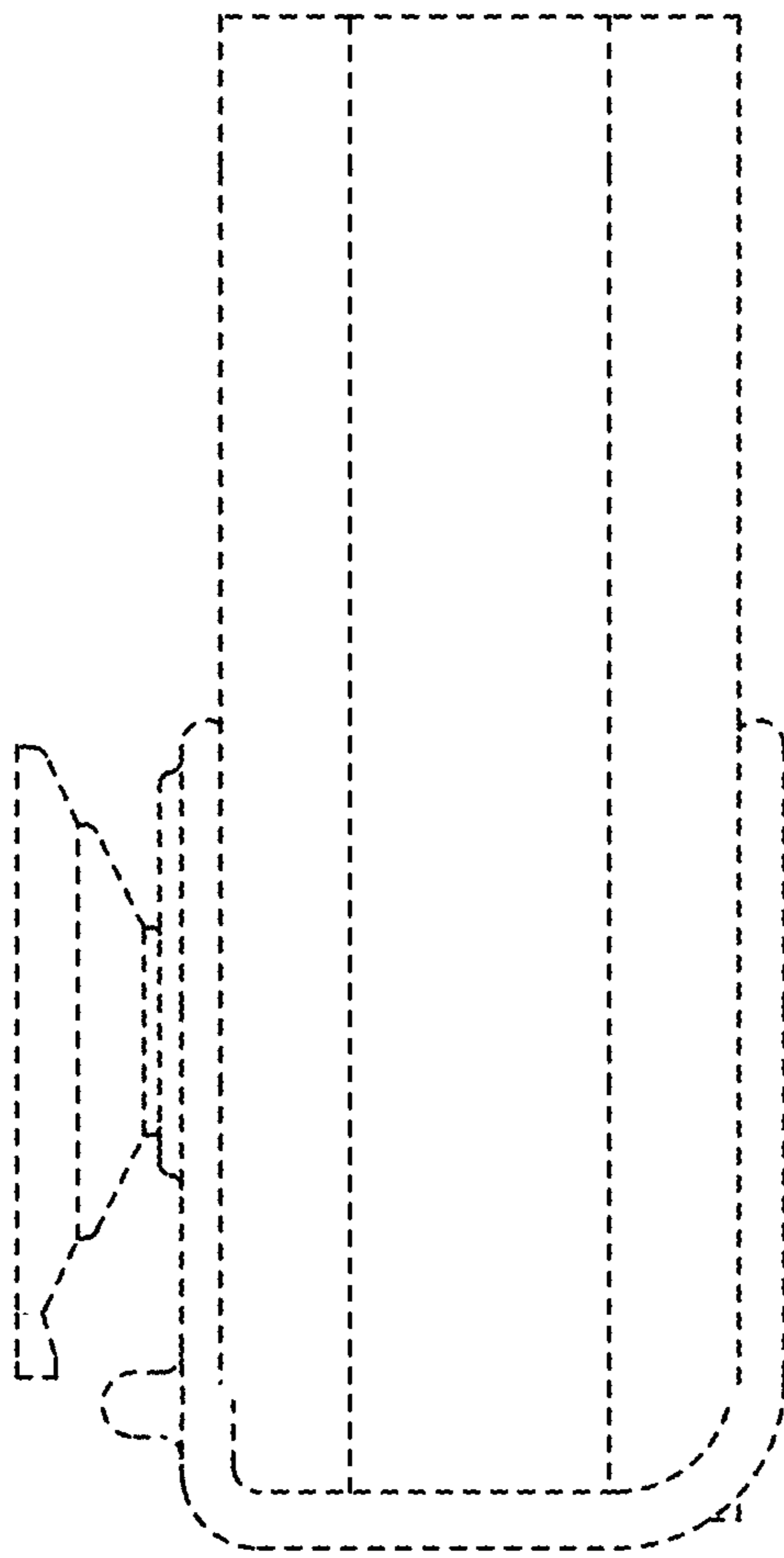


Fig.15

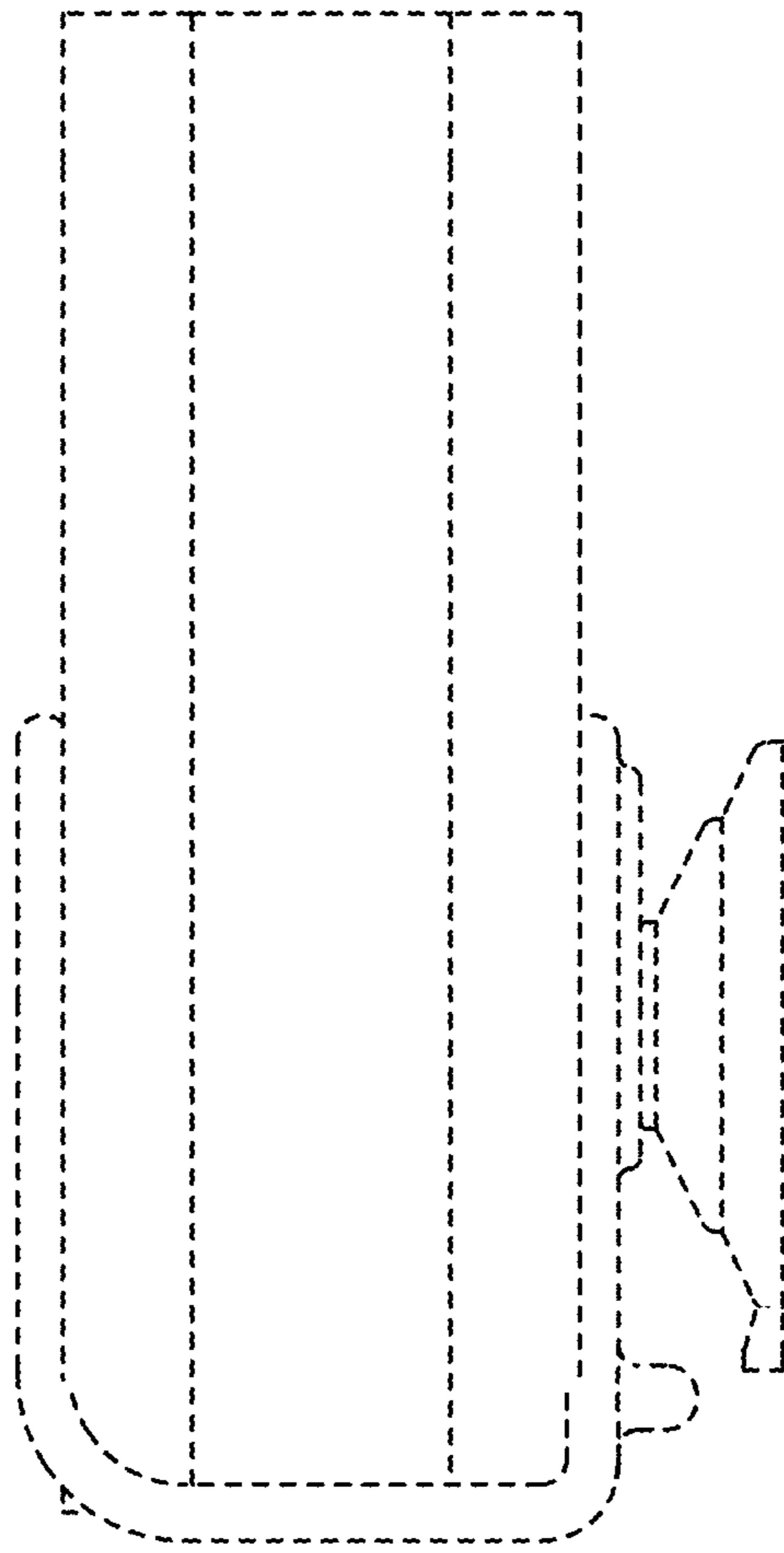


Fig.16

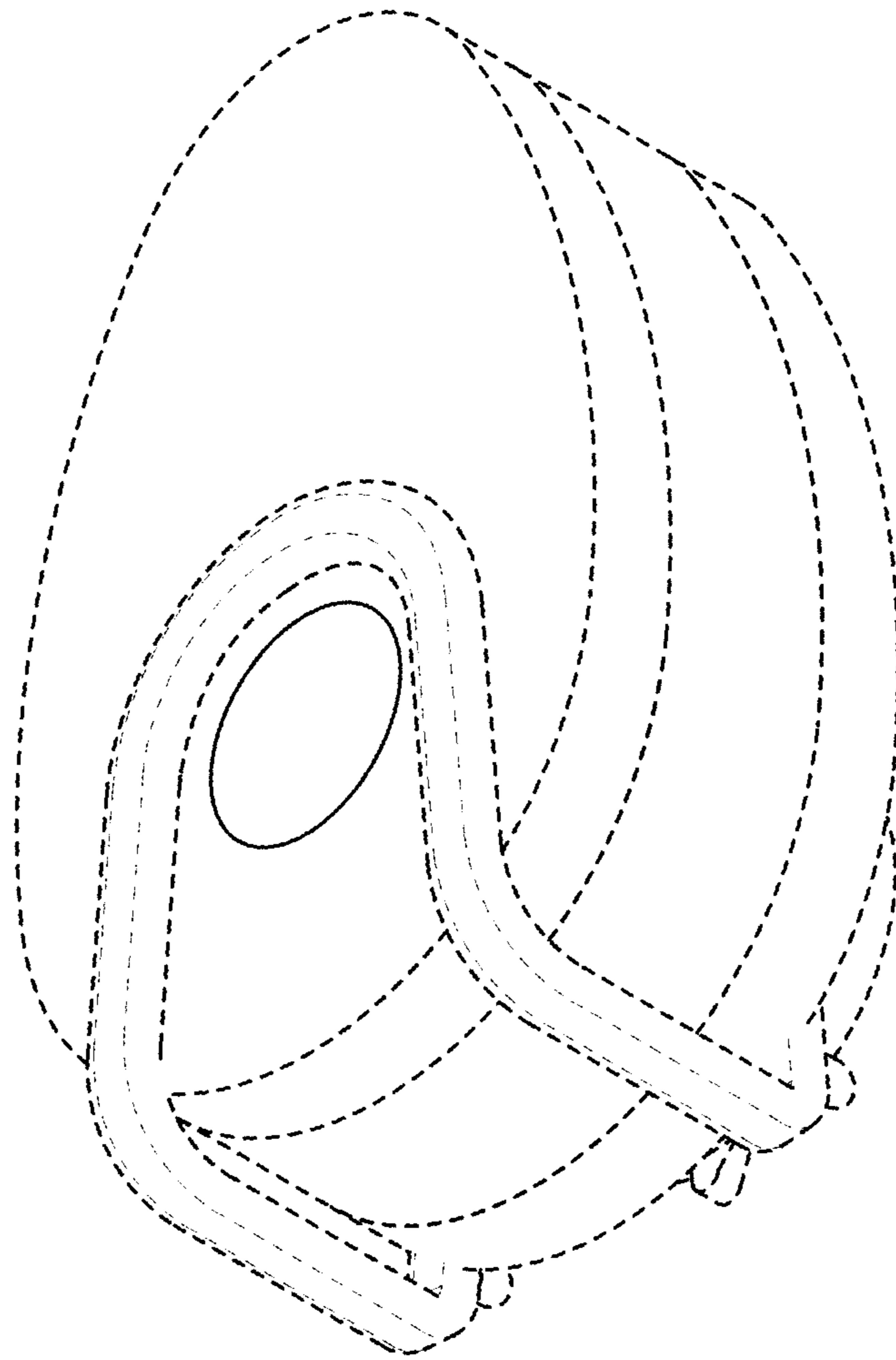


Fig.17

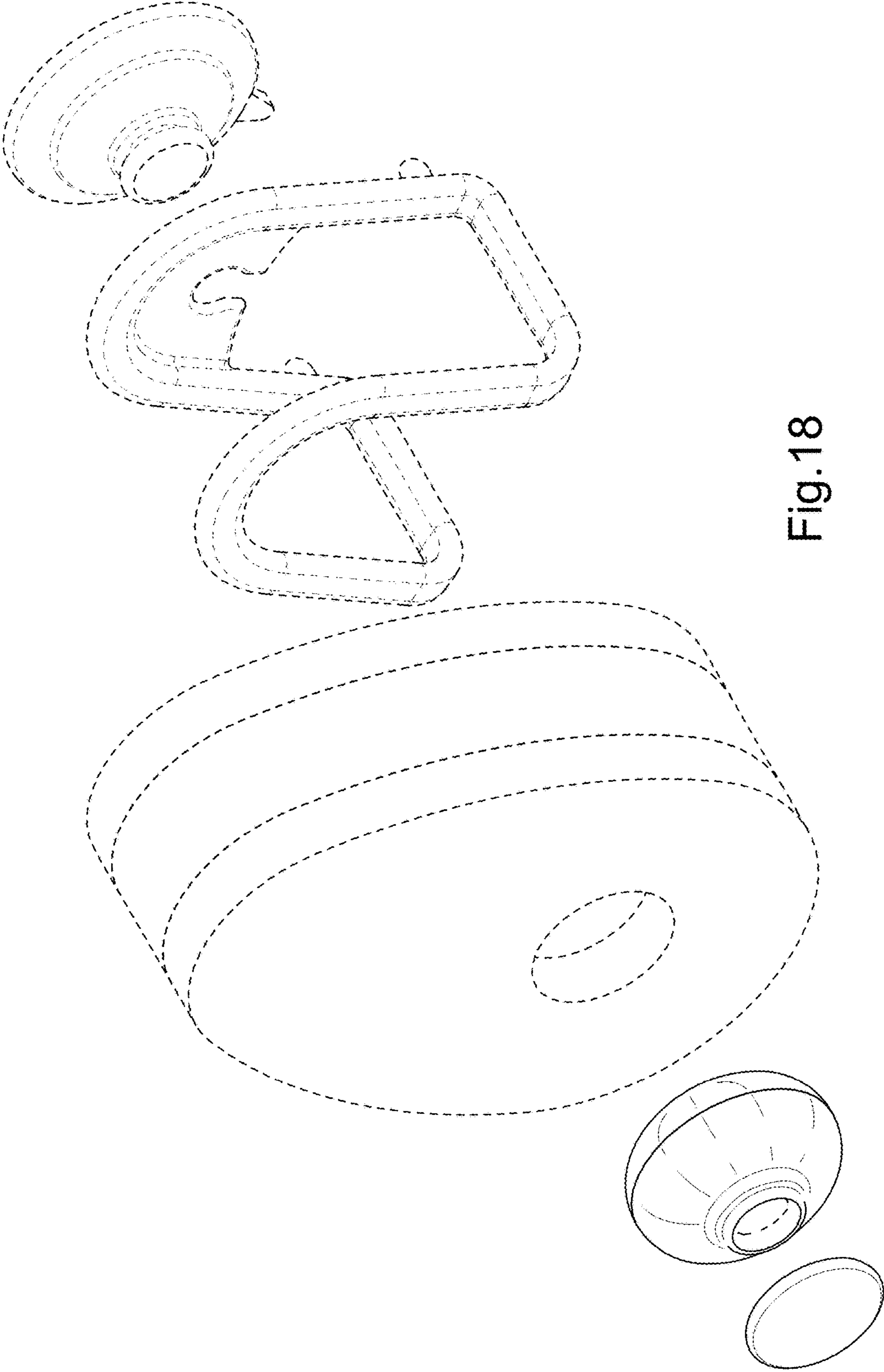


Fig.18