



US00D801606S

(12) **United States Design Patent**
Mikula et al.

(10) **Patent No.:** **US D801,606 S**

(45) **Date of Patent:** **** Oct. 31, 2017**

(54) **ACCESSORY TOOL FOR A FLOOR CARE APPLIANCE**

(71) Applicant: **BISSELL Homecare, Inc.**, Grand Rapids, MI (US)

(72) Inventors: **Jacob Mikula**, Grand Rapids, MI (US); **Adam G. Carr**, Ada, MI (US); **Drew A. Johnson**, Coopersville, MI (US)

(73) Assignee: **BISSELL Homecare, Inc.**, Grand Rapids, MI (US)

(**) Term: **15 Years**

(21) Appl. No.: **29/548,410**

(22) Filed: **Dec. 14, 2015**

(51) **LOC (10) Cl.** **15-05**

(52) **U.S. Cl.**
USPC **D32/32**

(58) **Field of Classification Search**
USPC D8/396; D32/31-33
CPC F16M 13/02; A24F 19/092; F16L 27/12;
A47L 9/242; A47L 9/02; A47L 5/362;
A47L 5/28; A47L 5/34; A47L 5/30; A47G
25/66; E04H 4/1654
See application file for complete search history.

(56) **References Cited**

U.S. PATENT DOCUMENTS

D149,061 S * 3/1948 Harvout D32/32
D215,875 S * 11/1969 Hoadley D32/32

D264,139 S * 4/1982 Pearman, Jr. D32/33
D479,636 S * 9/2003 Kitts D32/32
D538,986 S * 3/2007 Ingram D32/32
D621,110 S * 8/2010 Eden D32/32
D621,565 S * 8/2010 Pierce D32/32
D621,566 S * 8/2010 Crawley D32/33
D656,695 S * 3/2012 Crawley D32/33
D750,858 S * 3/2016 Aramli D23/213
D780,392 S * 2/2017 Mikula D32/32

* cited by examiner

Primary Examiner — Ruth McInroy

(74) *Attorney, Agent, or Firm* — McGarry Bair PC

(57) **CLAIM**

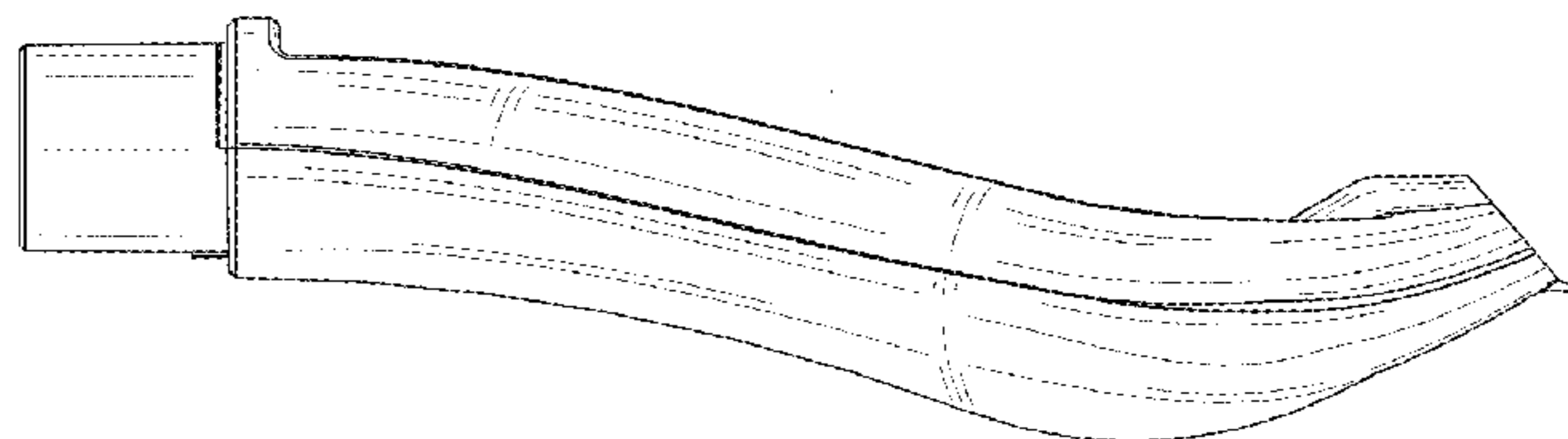
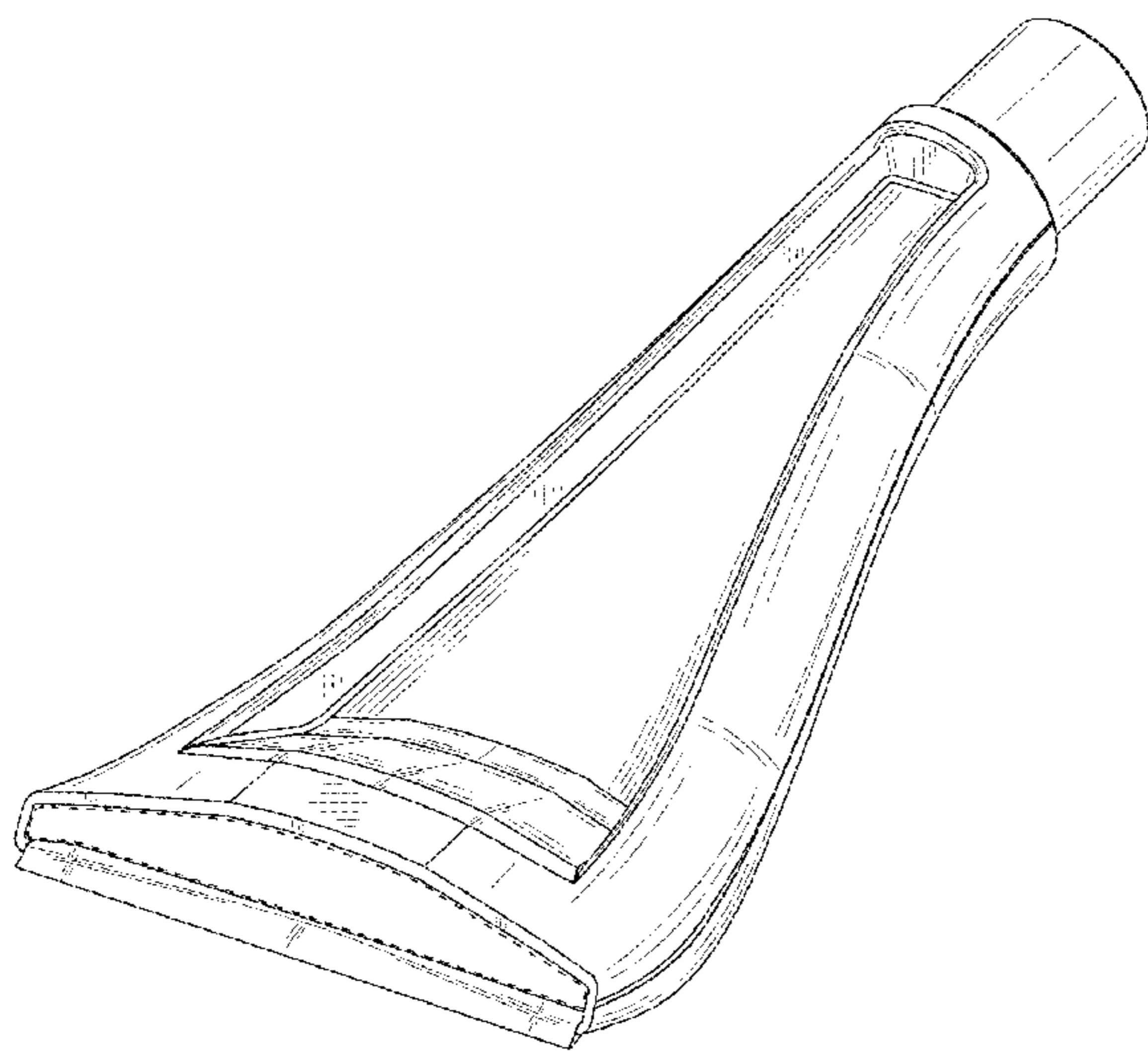
The ornamental design for an accessory tool for a floor care appliance, as shown and described.

DESCRIPTION

FIG. 1 is a top perspective view of an accessory tool for a floor care appliance showing our new design; FIG. 2 is a bottom perspective view thereof; FIG. 3 is a rear view thereof; FIG. 4 is a front view thereof; FIG. 5 is a left side view thereof, the right side being a mirror image; FIG. 6 is a bottom view thereof; and, FIG. 7 is a top view thereof.

The broken lines in the figures illustrate the boundaries of the claim, and form no part of the claimed design.

1 Claim, 4 Drawing Sheets



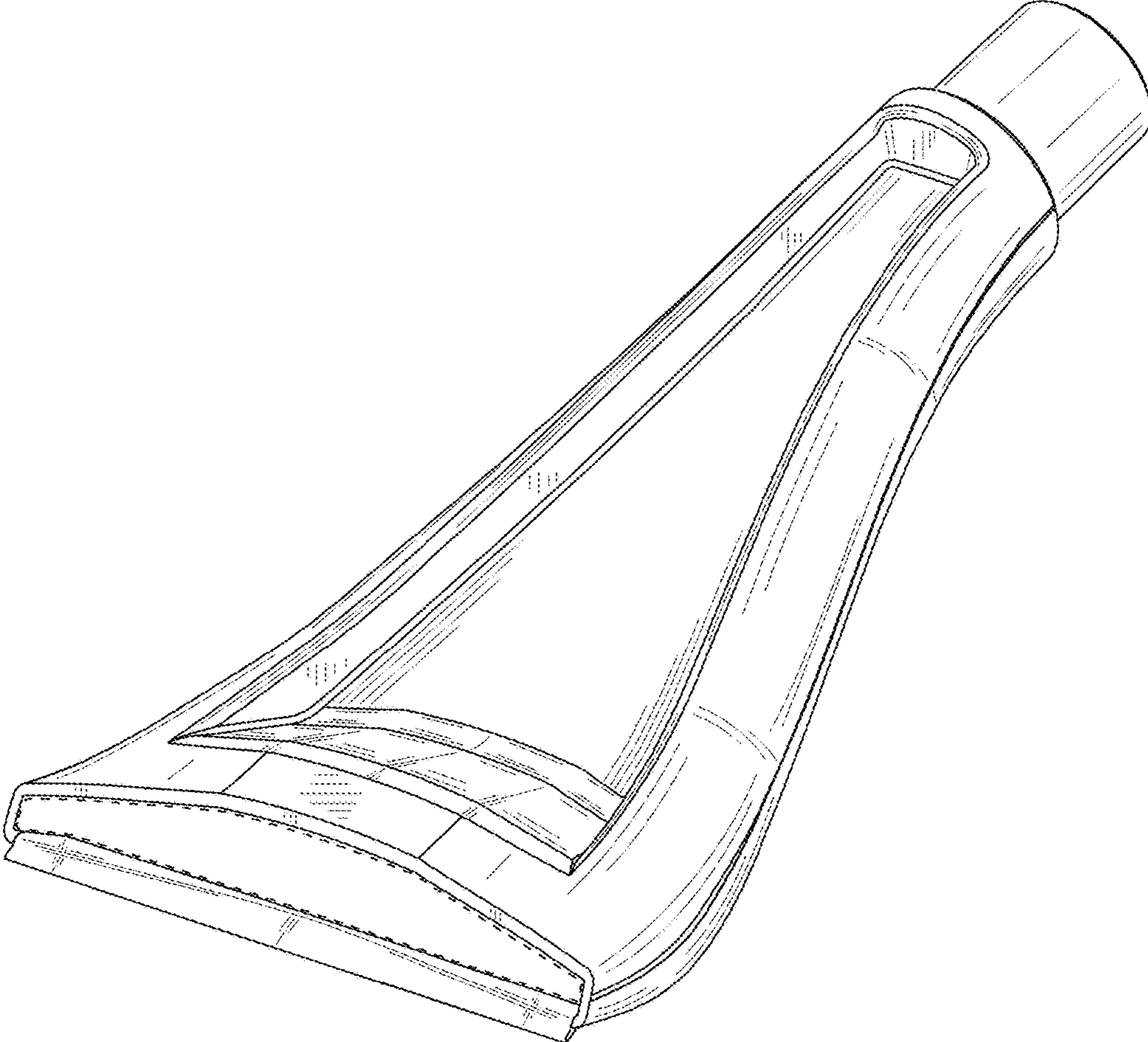


FIG. 1

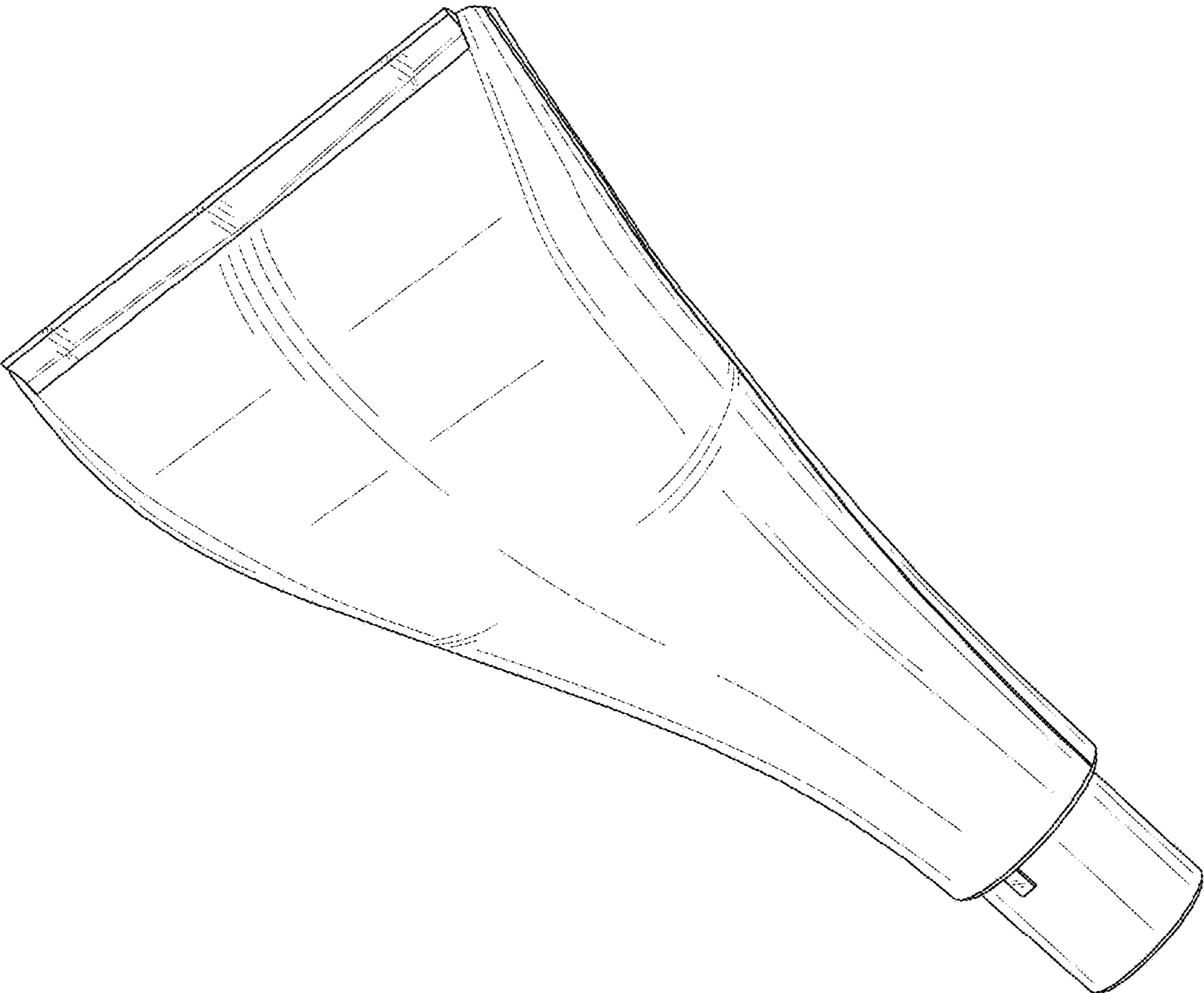


FIG. 2

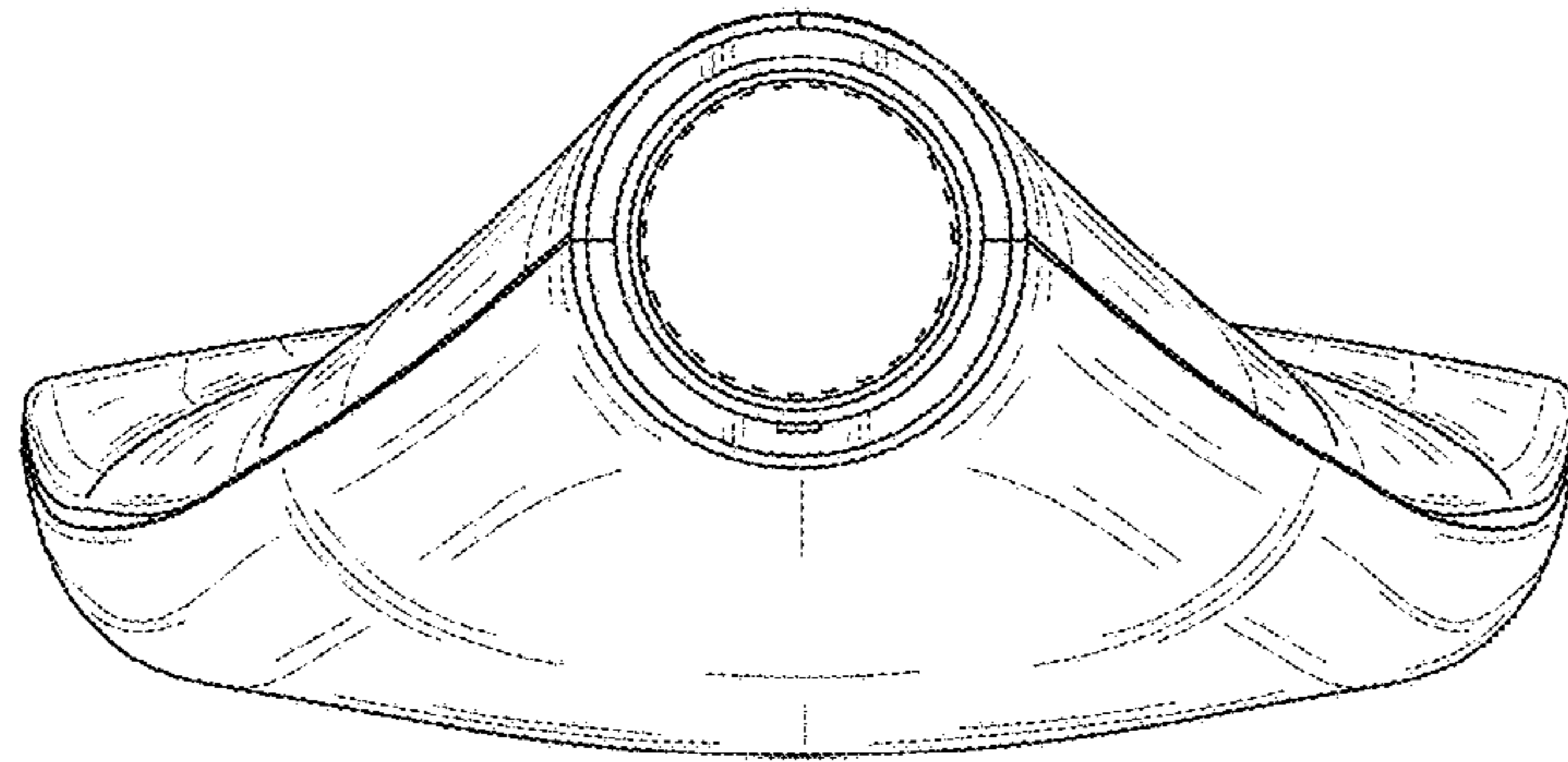


FIG. 3

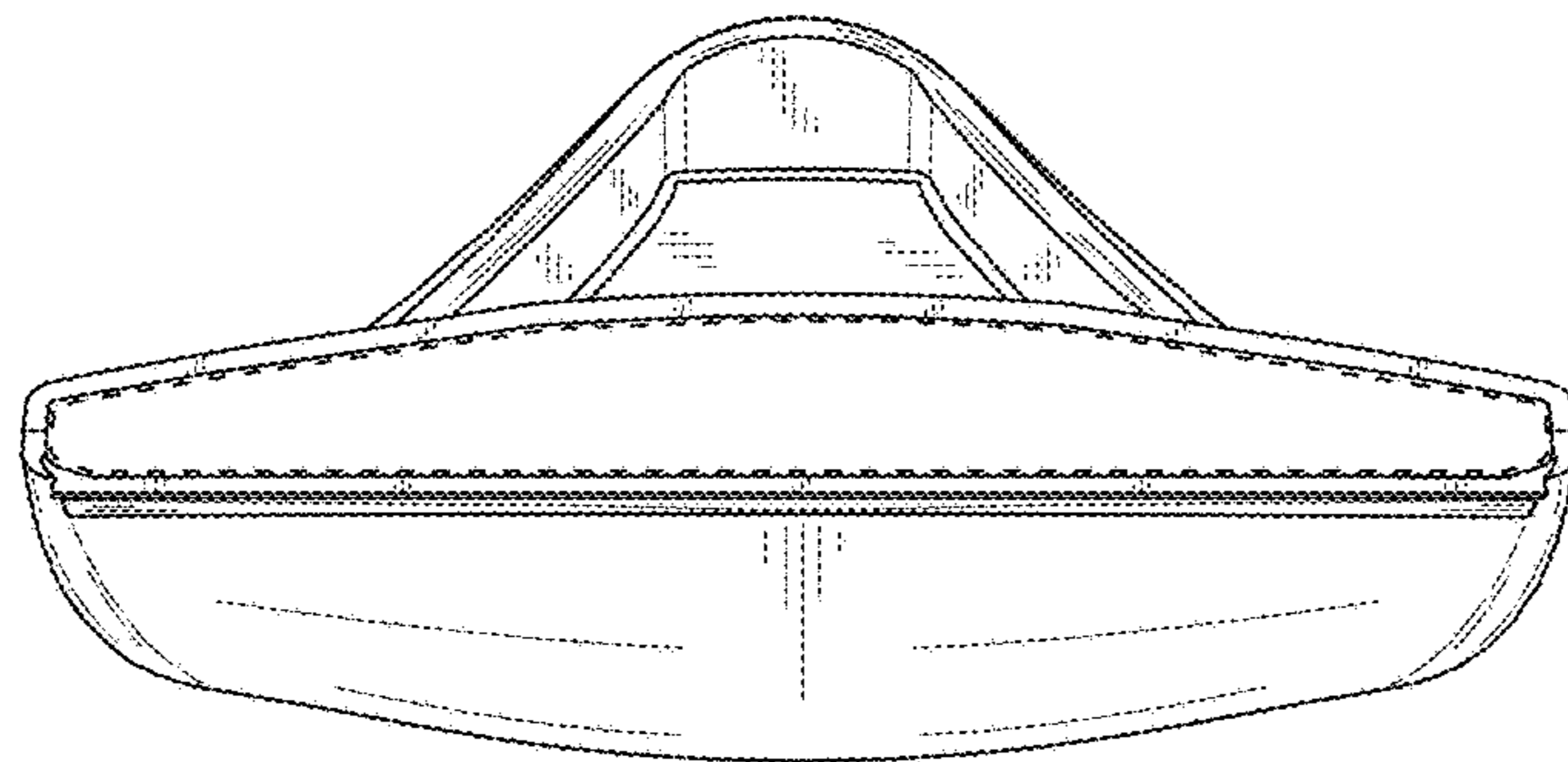


FIG. 4

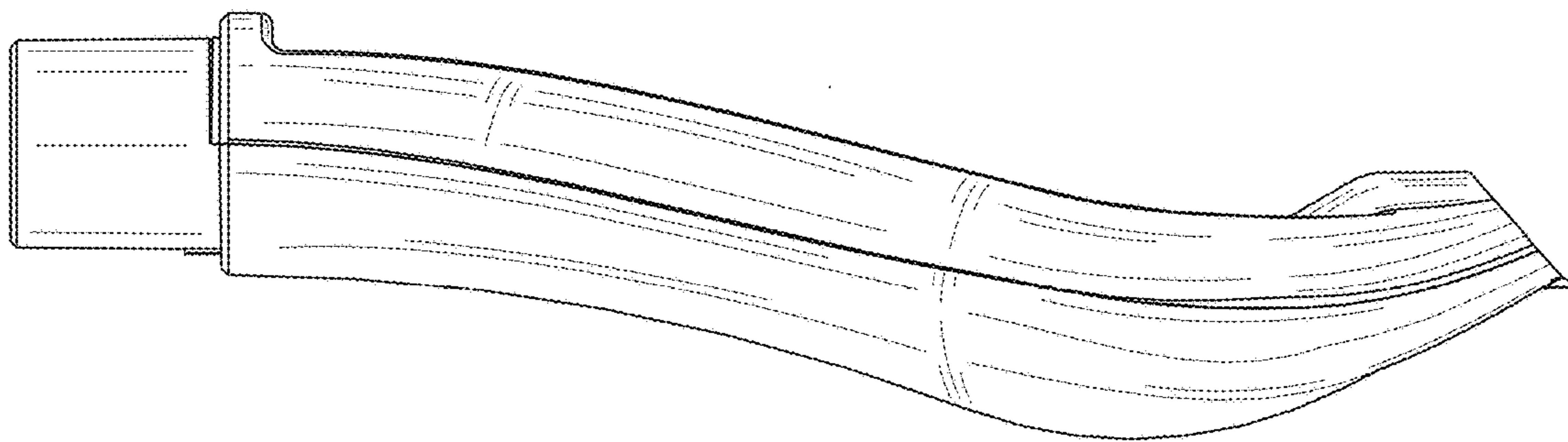


FIG. 5

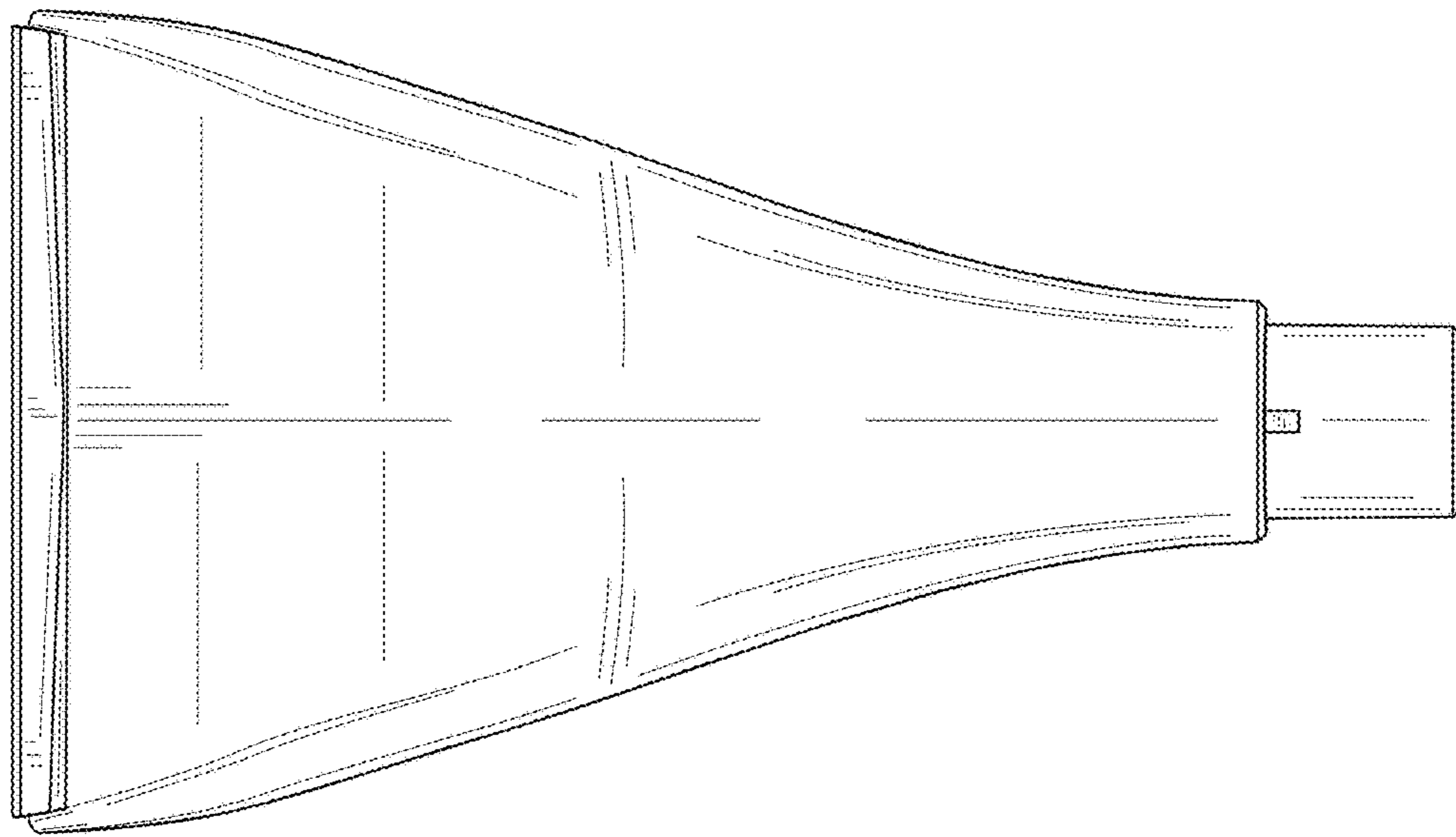


FIG. 6

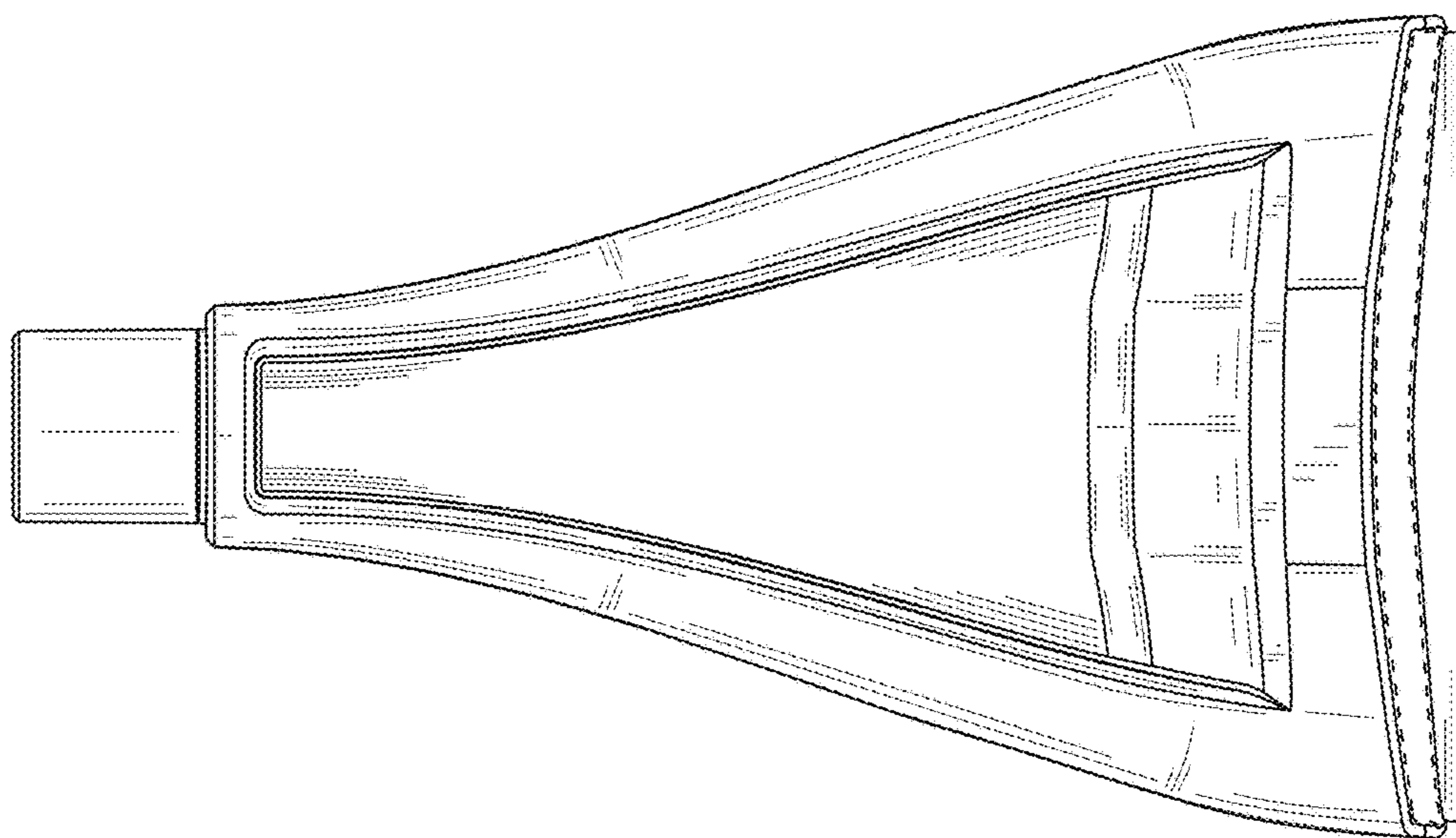


FIG. 7