



US00D801605S

(12) **United States Design Patent**
Kim et al.

(10) **Patent No.:** **US D801,605 S**

(45) **Date of Patent:** **** Oct. 31, 2017**

(54) **CLEANER**

(71) Applicant: **Samsung Electronics Co., Ltd.**,
Suwon-si (KR)

(72) Inventors: **Kyungtae Kim**, Seoul (KR); **Youngjin Kim**,
Gunpo-si (KR); **Jaeho Jang**, Seoul (KR); **Yeonyoung Nam**,
Goyang-si (KR)

(73) Assignee: **SAMSUNG ELECTRONICS CO., LTD.**,
Gyeonggi-Do (KR)

(**) Term: **15 Years**

(21) Appl. No.: **29/541,237**

(22) Filed: **Oct. 1, 2015**

(30) **Foreign Application Priority Data**

Apr. 1, 2015 (KR) 30-2015-0016618

(51) **LOC (10) Cl.** **15-05**

(52) **U.S. Cl.**
USPC **D32/21**

(58) **Field of Classification Search**

USPC D32/21-23, 31, 34
CPC G06N 3/008; A47L 9/2857; A47L 9/2842;
A47L 9/2852; A47L 9/00; A47L 9/325;
A47L 5/36-5/367; A47L 7/0019; A47L
7/0004; A47L 11/34; A47L 11/29; A47L
11/30; E04H 4/1654

See application file for complete search history.

(56) **References Cited**

U.S. PATENT DOCUMENTS

D443,119 S * 5/2001 Sung D32/21
D454,994 S * 3/2002 Harada D32/21
D527,152 S * 8/2006 Chen D32/21
D556,398 S * 11/2007 Shin D32/21
D582,109 S * 12/2008 Kim D32/21

D600,416 S * 9/2009 Shin D32/21
D667,180 S * 9/2012 Ghim D32/21
D711,604 S * 8/2014 Park D32/21
D728,175 S * 4/2015 Park D32/21
D762,026 S * 7/2016 Tyler D32/21

FOREIGN PATENT DOCUMENTS

JP 1491178 2/2014

OTHER PUBLICATIONS

Gro, Date Posted 2001, pp. 1-1, Retrieved from the Internet Oct. 1,
2015<URL:http://www.grodesign.com/portfolio/home-appliance-
innovation-project/>.

Magazine Kakaku, Date Posted Jun. 1, 2012, pp. 1-7, Retrieved
from the Internet Oct. 1, 2015<URL:http://magazine.kakaku.com/
mag/woman/kaden/id=708/>.

(Continued)

Primary Examiner — Ruth McInroy

(74) *Attorney, Agent, or Firm* — Cantor Colburn LLP

(57) **CLAIM**

The ornamental design for a cleaner, as shown and
described.

DESCRIPTION

FIG. 1 is a front perspective view of a cleaner, showing our
new design;

FIG. 2 is a front view thereof;

FIG. 3 is a rear view thereof;

FIG. 4 is a side view thereof;

FIG. 5 is another side view thereof;

FIG. 6 is a top view thereof;

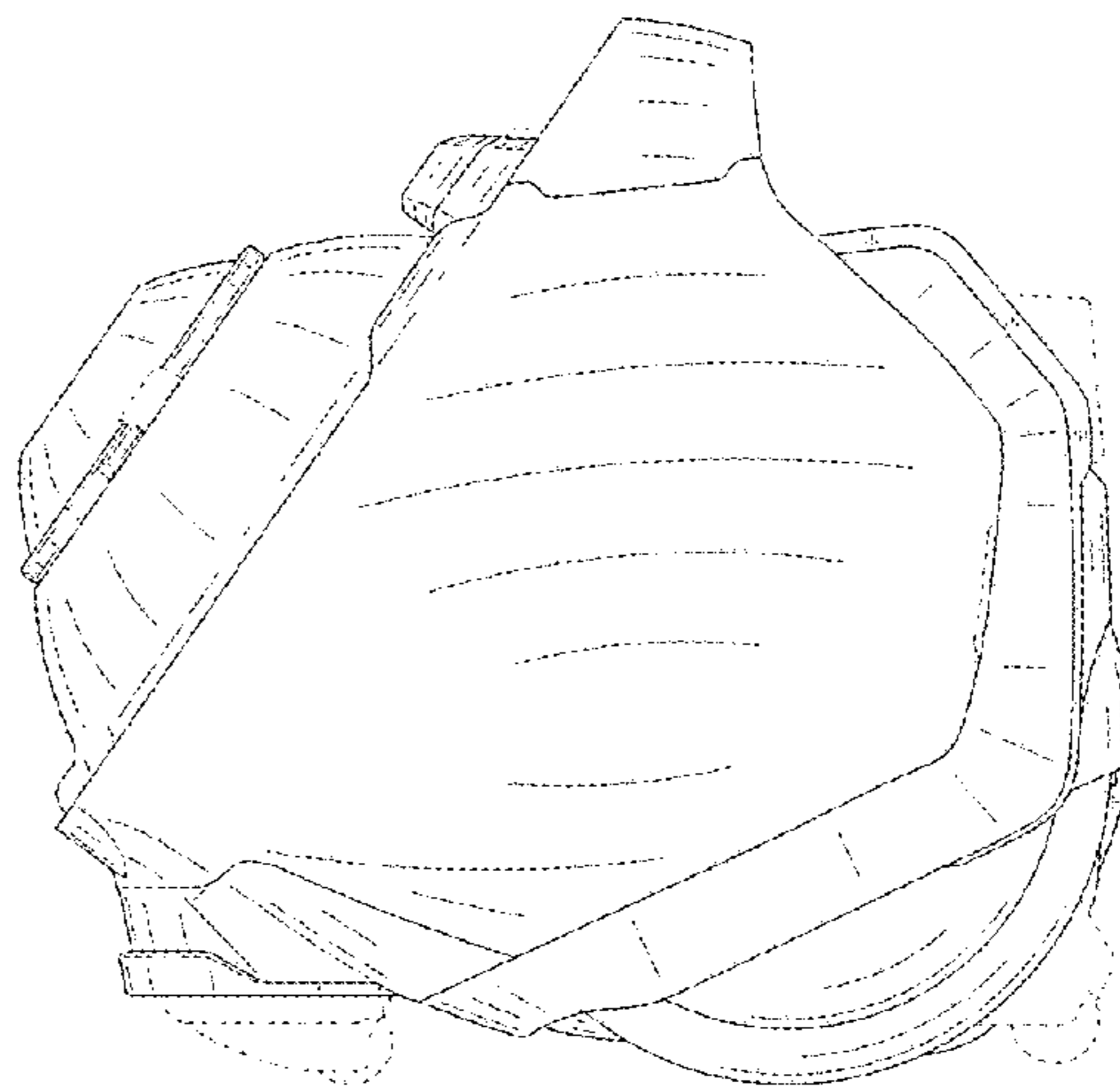
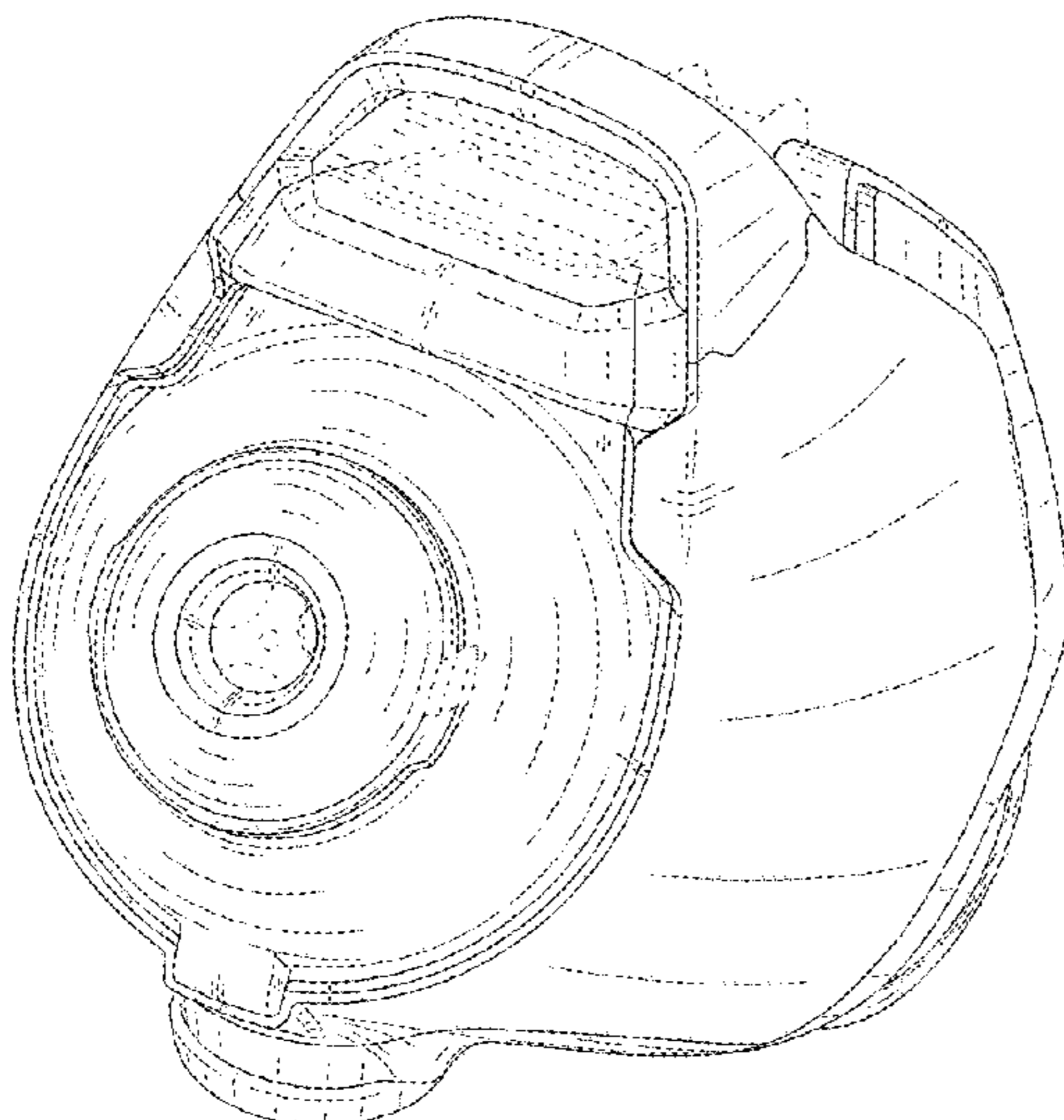
FIG. 7 is a bottom view thereof;

FIG. 8 is a bottom perspective view thereof; and,

FIG. 9 is a rear perspective view thereof.

The broken lines illustrating portions of the cleaner form no
part of the claimed design.

1 Claim, 9 Drawing Sheets



(56)

References Cited

OTHER PUBLICATIONS

Panasonic Vacuum Cleaner Crystal MCPA12GS, Copyright 1996-2015, pp. 1-3, Retrieved from the Internet Apr. 7, 2015, <URL:http://www.amazon.com/Panasonic-vacuum-cleaner-Crystal-MC-PA12G-S/dp/B007K3176Q/ref=sr_1_1?ie=UTF8&qid=1443713839&sr=8-1&keywords=Pa>.

Toshiba, Copyright 1995-2014, pp. 1-10, Retrieved from the Internet Oct. 1, 2015 <URL:http://www.toshiba.com.cn/product/personal_home/home/static/index_3_2_how.html>.

* cited by examiner

FIG. 1

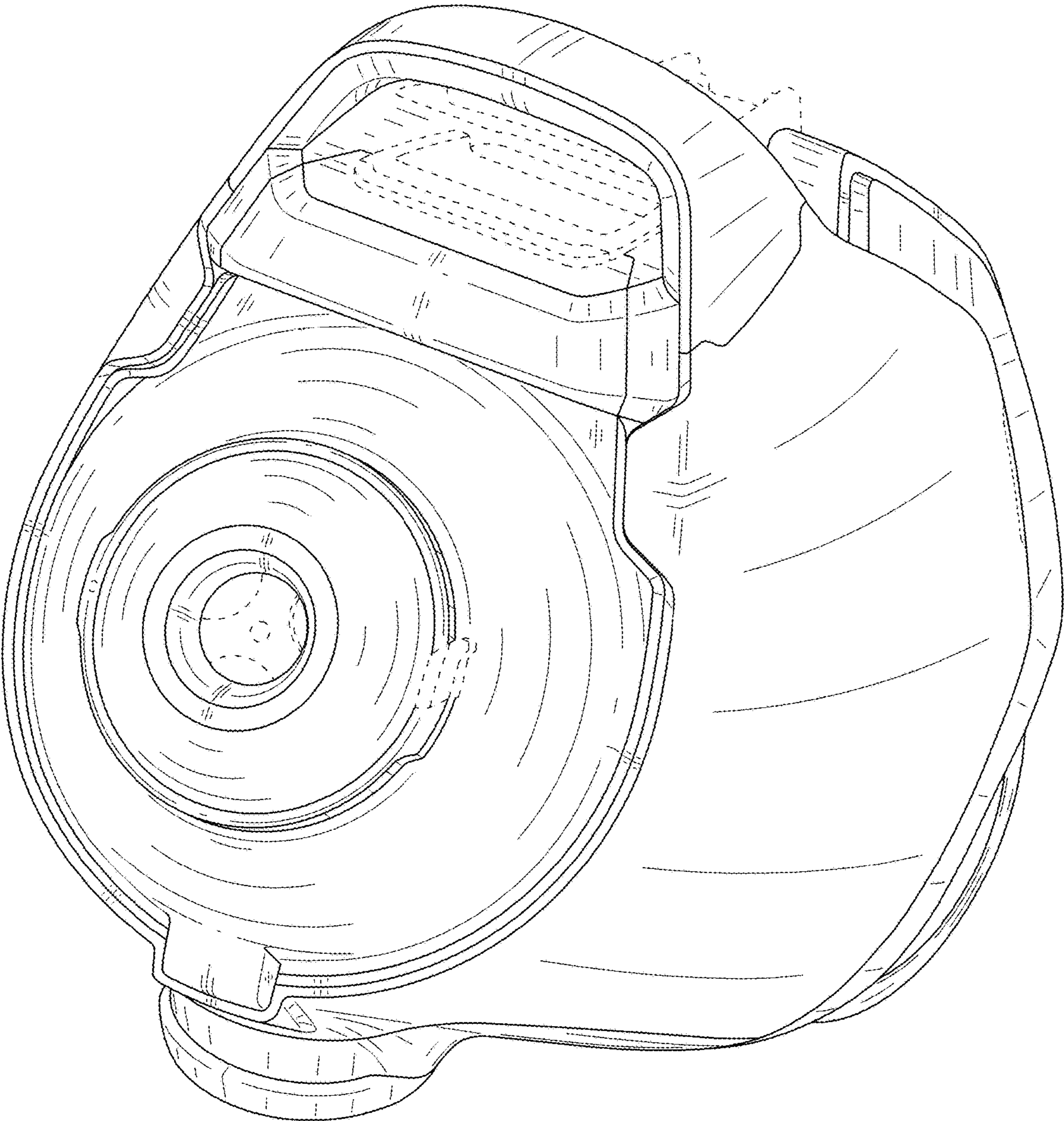


FIG. 2

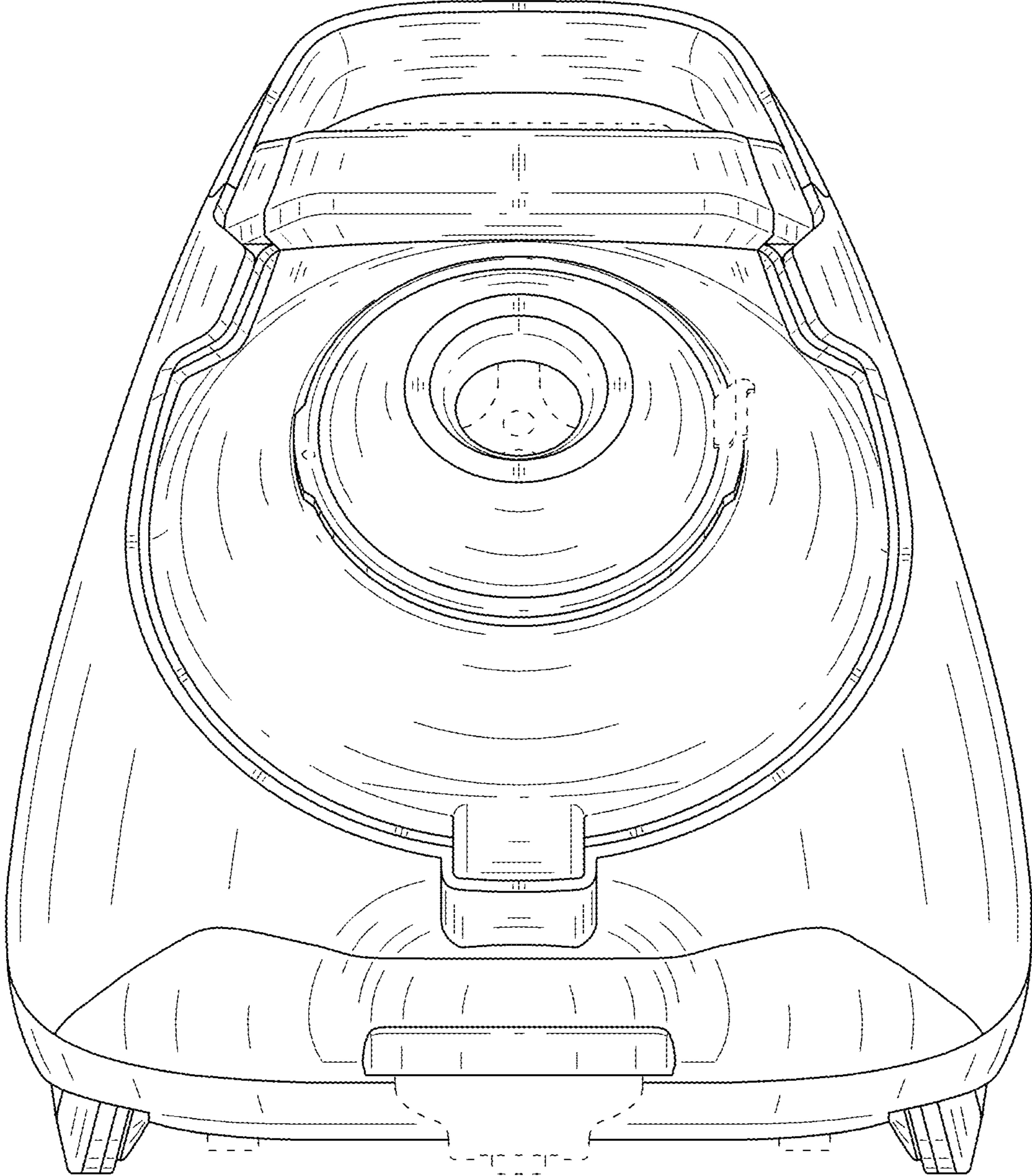


FIG. 3

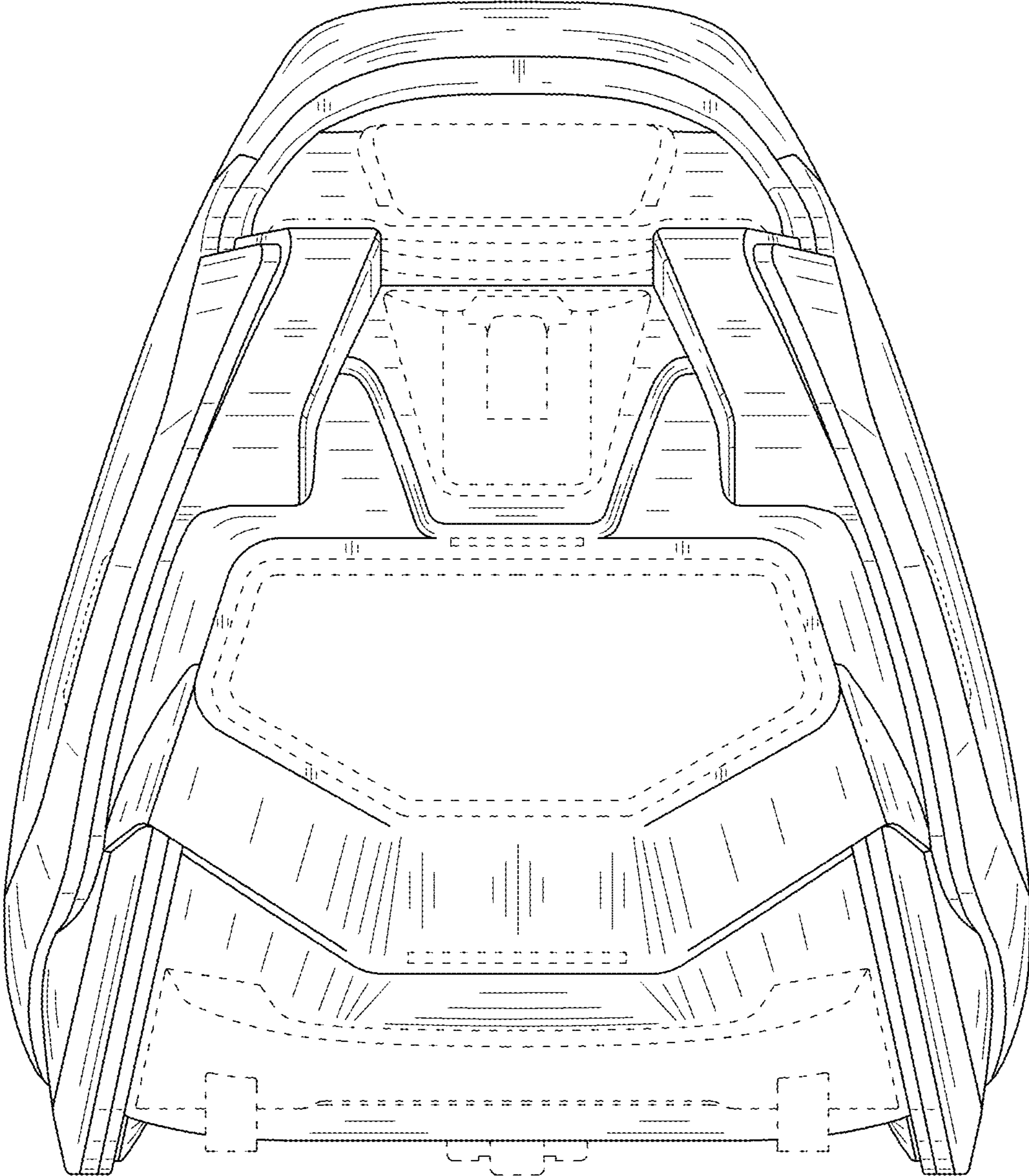


FIG. 4

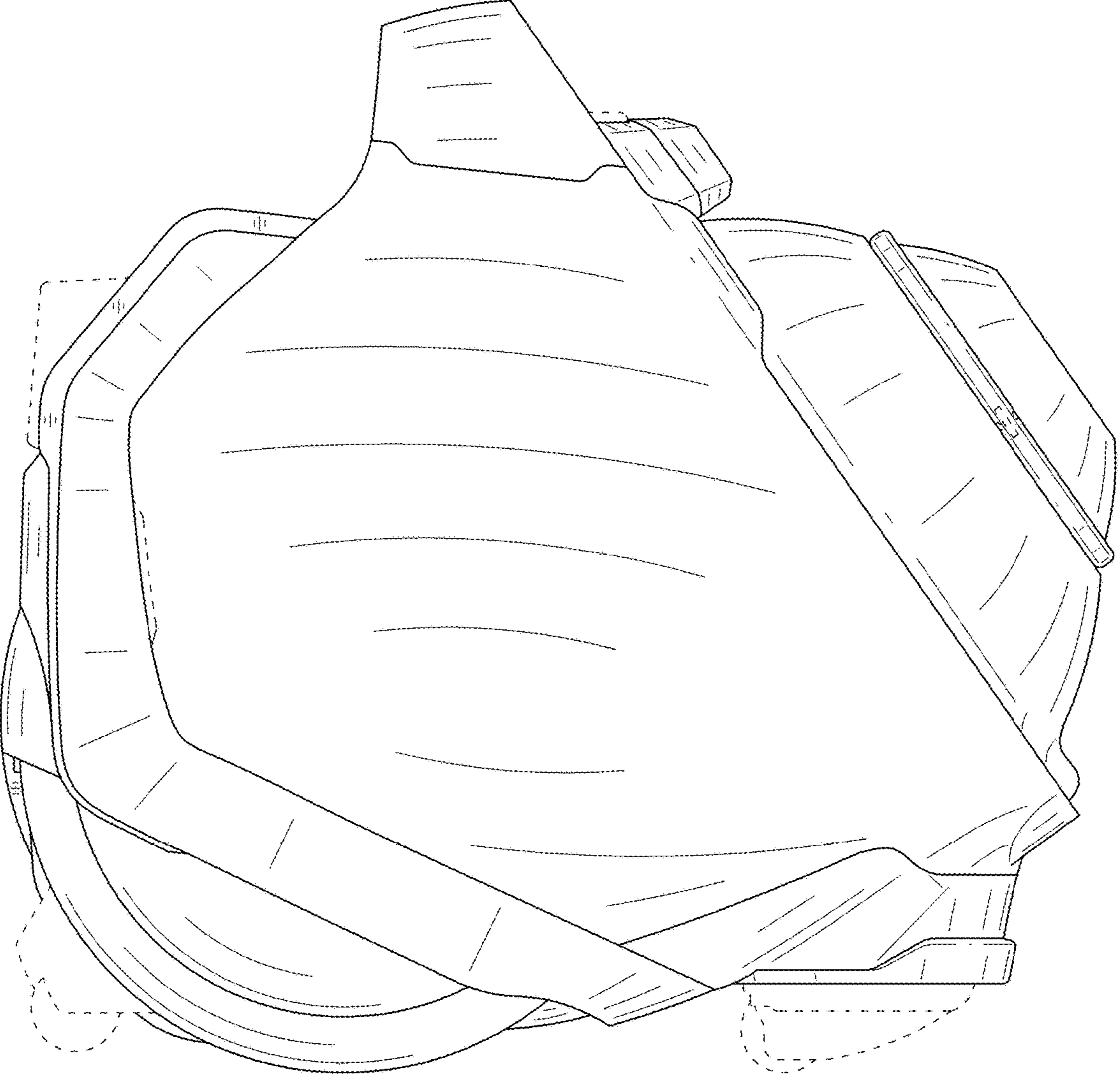


FIG. 5

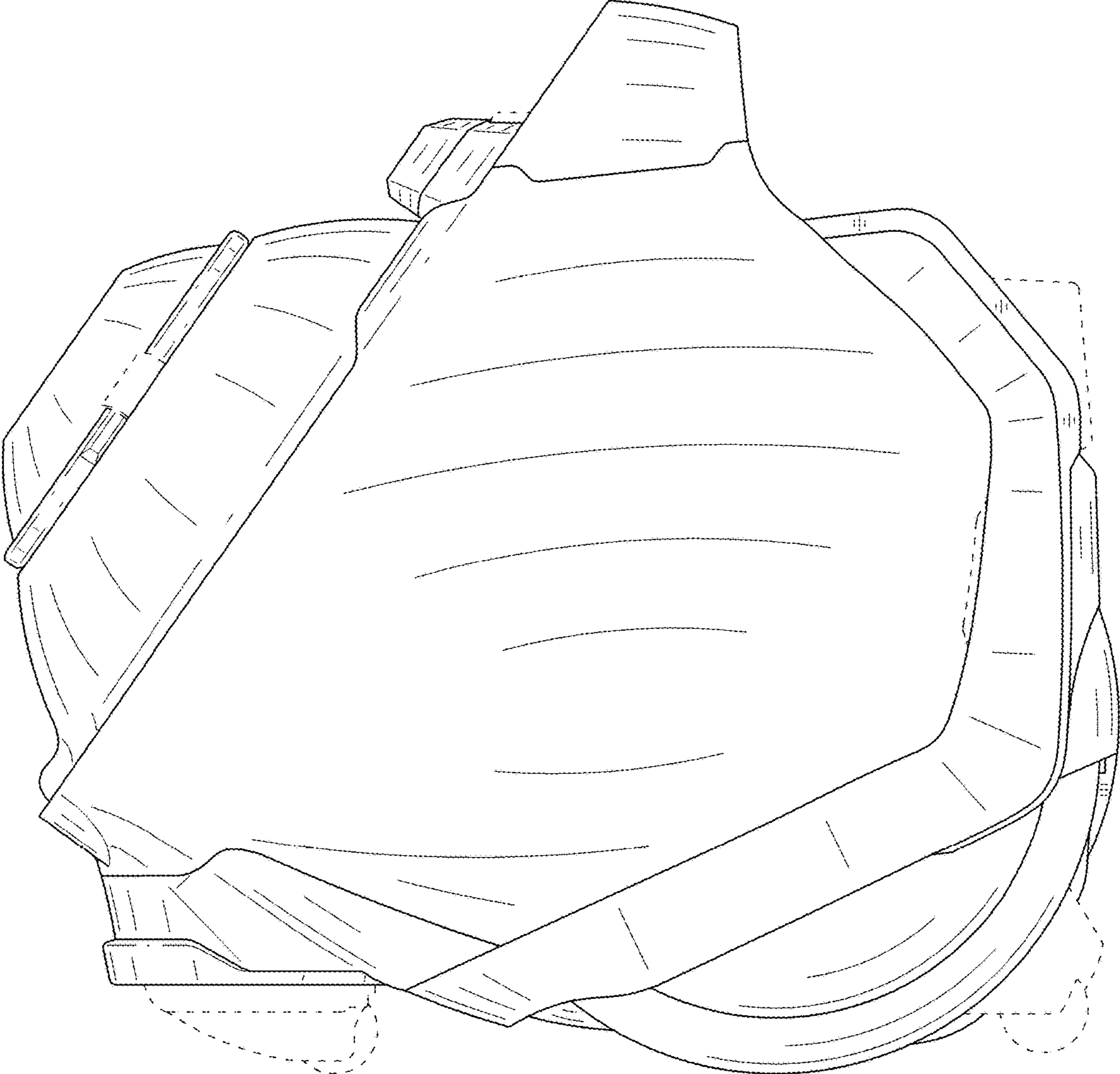


FIG. 6

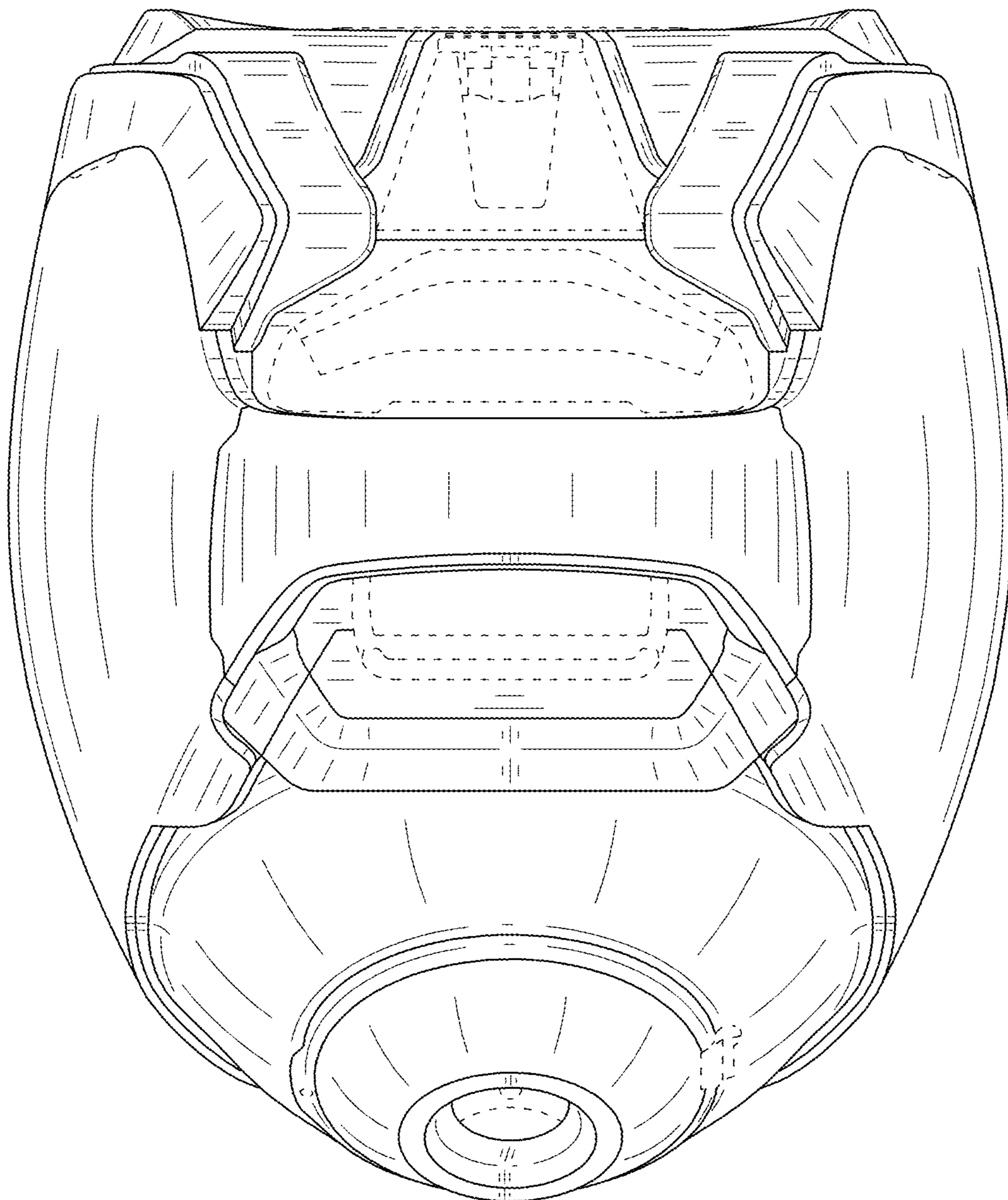


FIG. 7

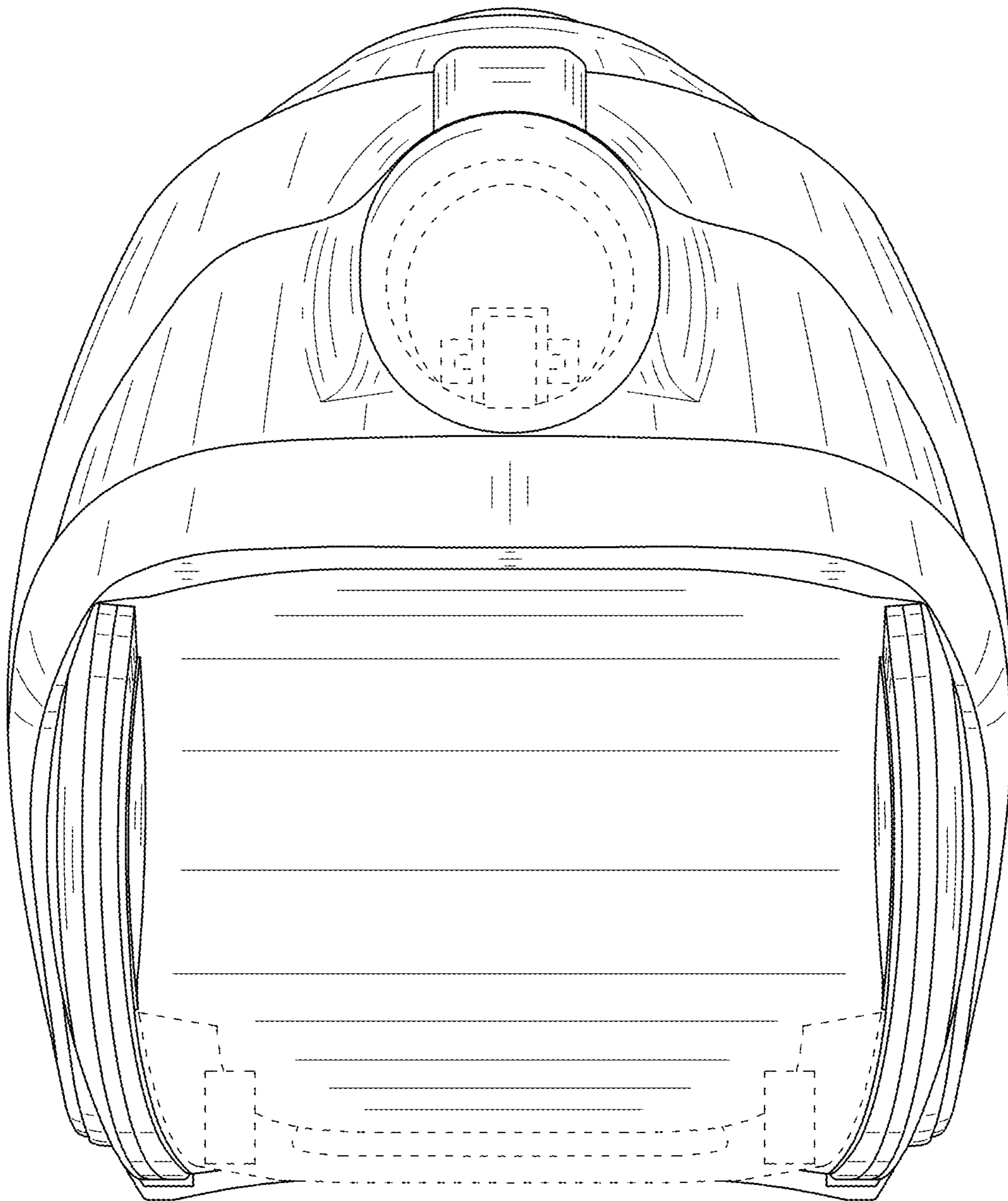


FIG. 8

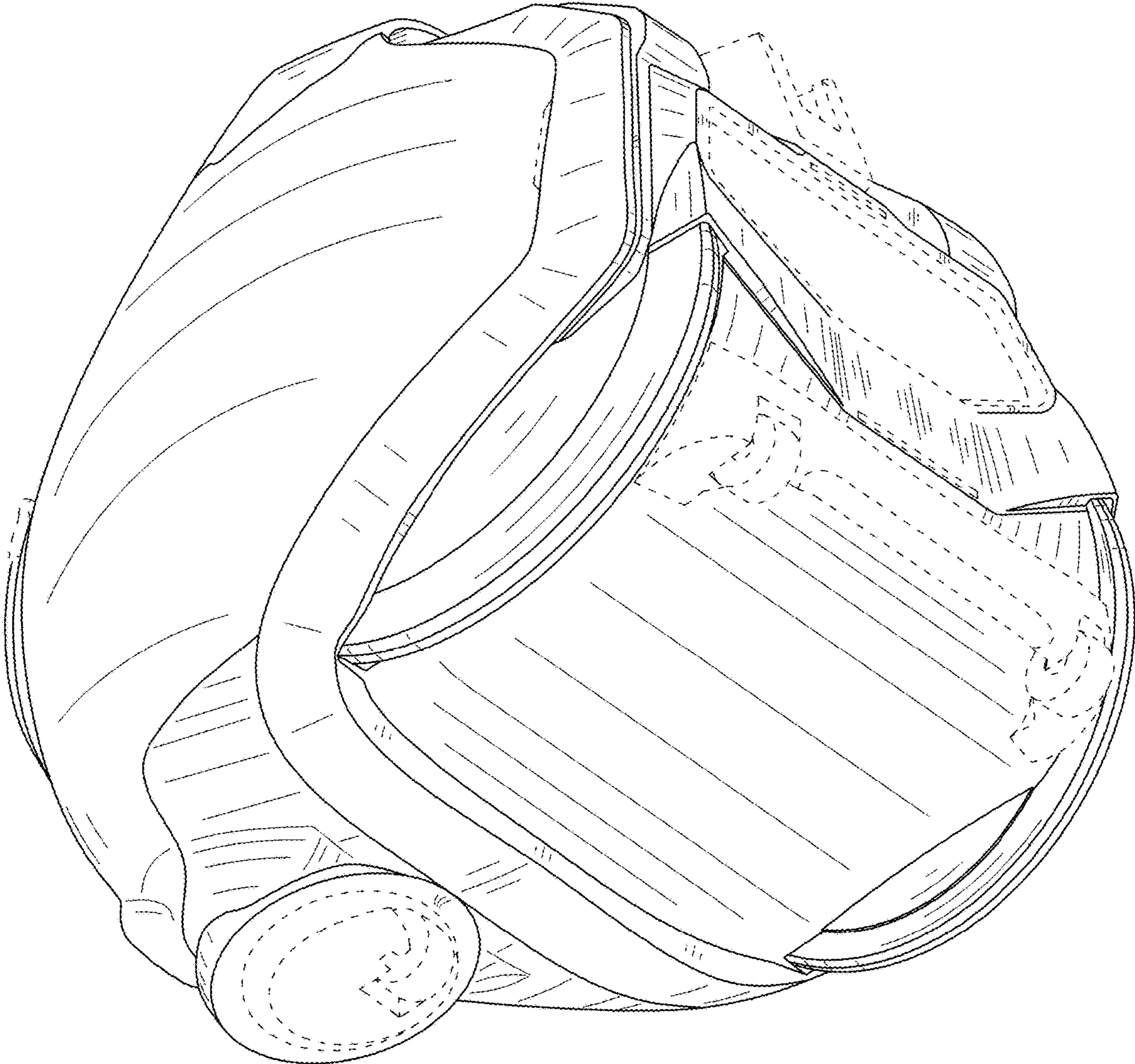


FIG. 9

