



US00D801604S

(12) **United States Design Patent** (10) **Patent No.:** **US D801,604 S**
Lee et al. (45) **Date of Patent:** **** Oct. 31, 2017**

(54) **DEHUMIDIFYING STERILIZING AND DEODORIZING MACHINE FOR GARMENTS**

(71) Applicant: **LG ELECTRONICS INC.**, Seoul (KR)

(72) Inventors: **Seungil Lee**, Seoul (KR); **Hophil Lee**, Seoul (KR); **Sunjung Park**, Seoul (KR); **Bonghui Kang**, Seoul (KR)

(73) Assignee: **LG ELECTRONICS INC.**, Seoul (KR)

(**) Term: **15 Years**

(21) Appl. No.: **35/501,566**

(22) Filed: **Mar. 14, 2016**

(80) **Hague Agreement Data**

Int. Filing Date: **Mar. 14, 2016**

Int. Reg. No.: **DM/091343**

Int. Reg. Date: **Mar. 14, 2016**

Int. Reg. Pub. Date: **Sep. 16, 2016**

(30) **Foreign Application Priority Data**

Sep. 15, 2015 (KR) 30-2015-0047006

(51) **LOC (10) Cl.** **15-05**

(52) **U.S. Cl.**

USPC **D32/9**

CPC **D06F 33/02** (2013.01)

(58) **Field of Classification Search**

USPC D32/1-11, 25, 29; 68/11, 203 R, 13 R, 68/27

CPC D06F 37/02; D06F 37/0812; D06F 37/145; D06F 31/00; D06F 33/02; D06F 58/10; B08B 3/12

See application file for complete search history.

(56) **References Cited**

U.S. PATENT DOCUMENTS

D521,702 S *	5/2006	No	D32/25
D549,408 S *	8/2007	Lee	D32/25
D620,211 S *	7/2010	Shail	D32/25
D629,168 S *	12/2010	Park	D32/25
8,037,626 B2 *	10/2011	Moon	D06F 58/10 38/1 A
8,215,136 B2 *	7/2012	Kim	D06F 17/04 68/11
8,230,613 B2 *	7/2012	Moon	D06F 58/10 137/171
D667,179 S *	9/2012	Jeon	D32/6
8,341,981 B2 *	1/2013	Kim	D06F 39/125 312/228
8,484,860 B2 *	7/2013	Moon	D06F 39/125 312/228
8,621,892 B2 *	1/2014	Moon	D06F 58/203 134/102.1
D701,657 S *	3/2014	Chung	D32/6
D701,658 S *	3/2014	Chung	D32/6

(Continued)

Primary Examiner — Richard E Chilcot

(74) *Attorney, Agent, or Firm* — Birch, Stewart, Kolasch & Birch, LLP

(57) **CLAIM**

The ornamental design for a dehumidifying, sterilizing and deodorizing machine for garments, as shown and described.

DESCRIPTION

1. Dehumidifying, sterilizing and deodorizing machine for garments

1.1 : Perspective

1.2 : Front

1.3 : Back

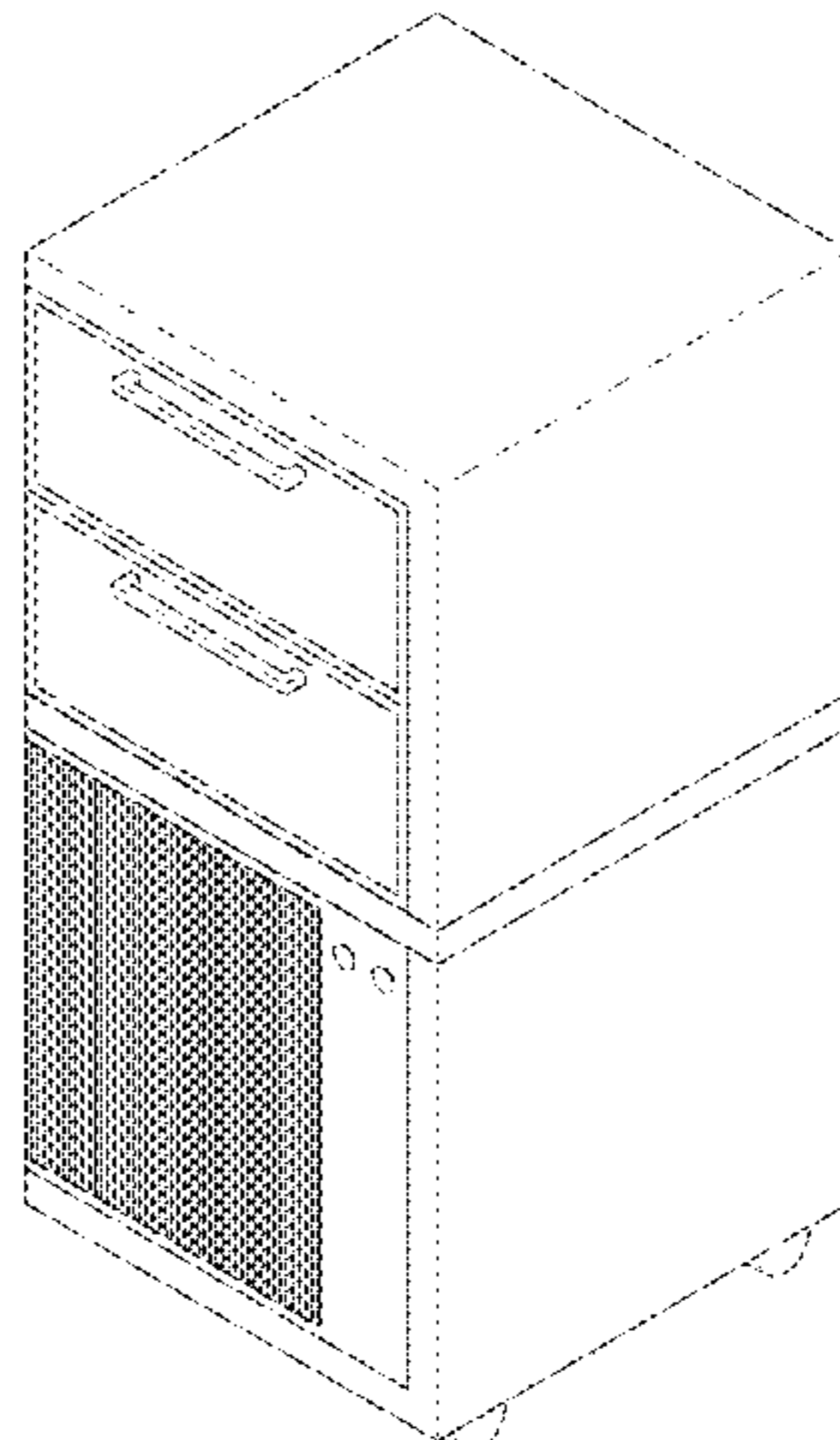
1.4 : Left

1.5 : Right

1.6 : Top

1.7 : Bottom

(Continued)



The gist of the present ornamental design is a combination of shape and pattern of “Dehumidifying, sterilizing and deodorizing machine for garments” as shown and described.

1 Claim, 7 Drawing Sheets

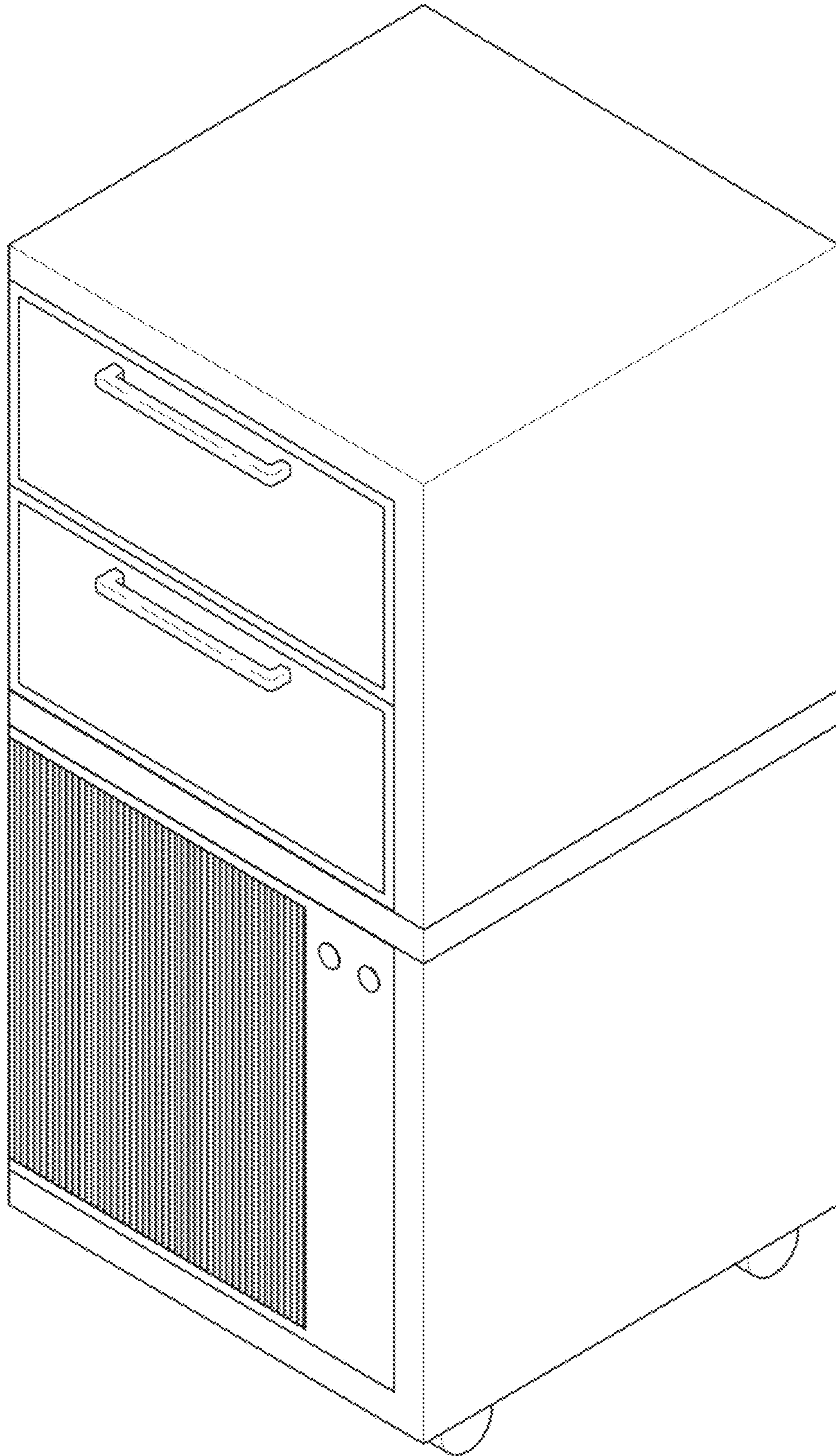
(56) **References Cited**

U.S. PATENT DOCUMENTS

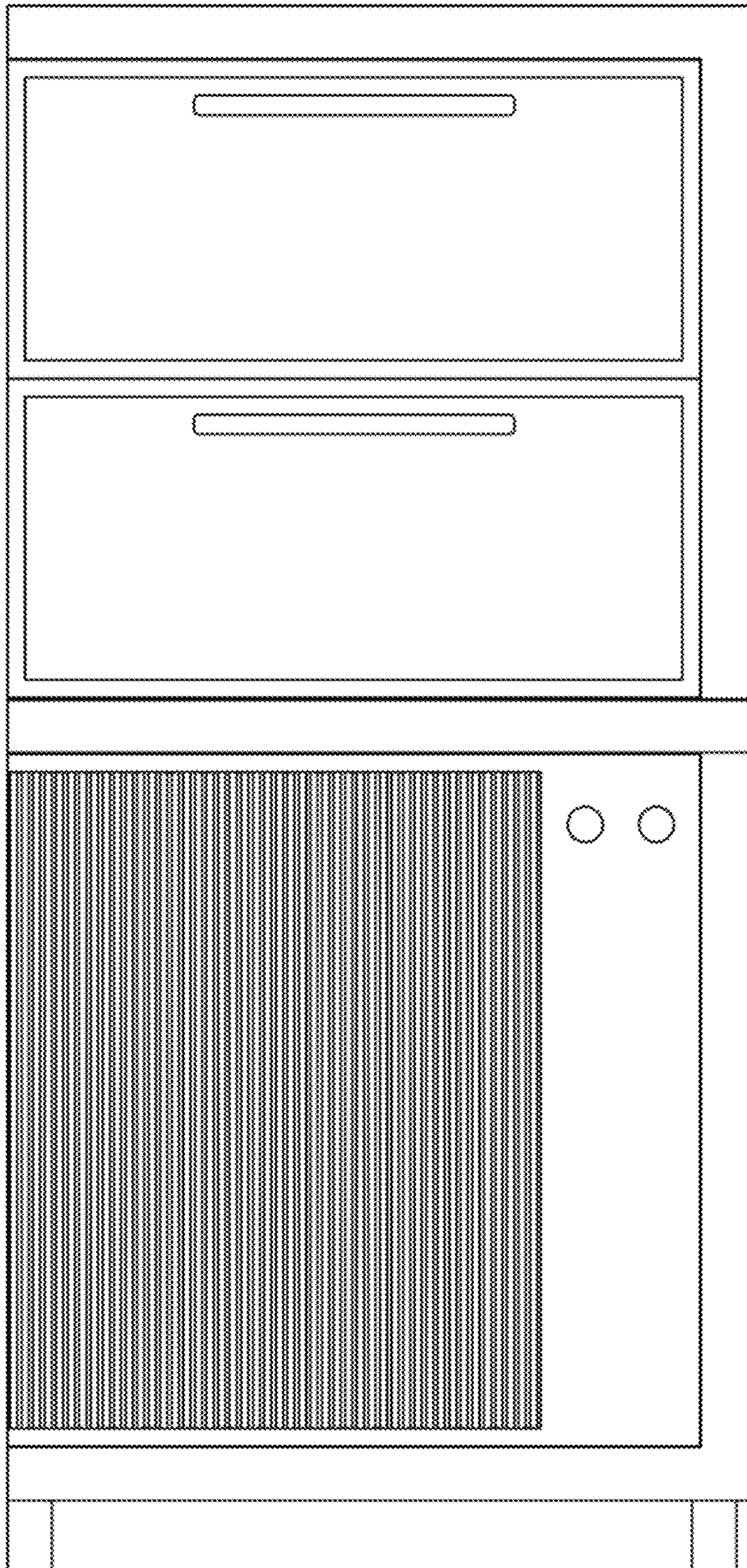
8,925,357 B2 *	1/2015	Moon	D06F 58/10
				68/208
8,997,372 B2 *	4/2015	Cennon	D06F 58/10
				34/201
9,096,969 B2 *	8/2015	Moon	D06F 58/10
9,163,350 B2 *	10/2015	Moon	D06F 58/10
9,303,349 B2 *	4/2016	Moon	D06F 73/02
D794,265 S *	8/2017	Chung	D32/6

* cited by examiner

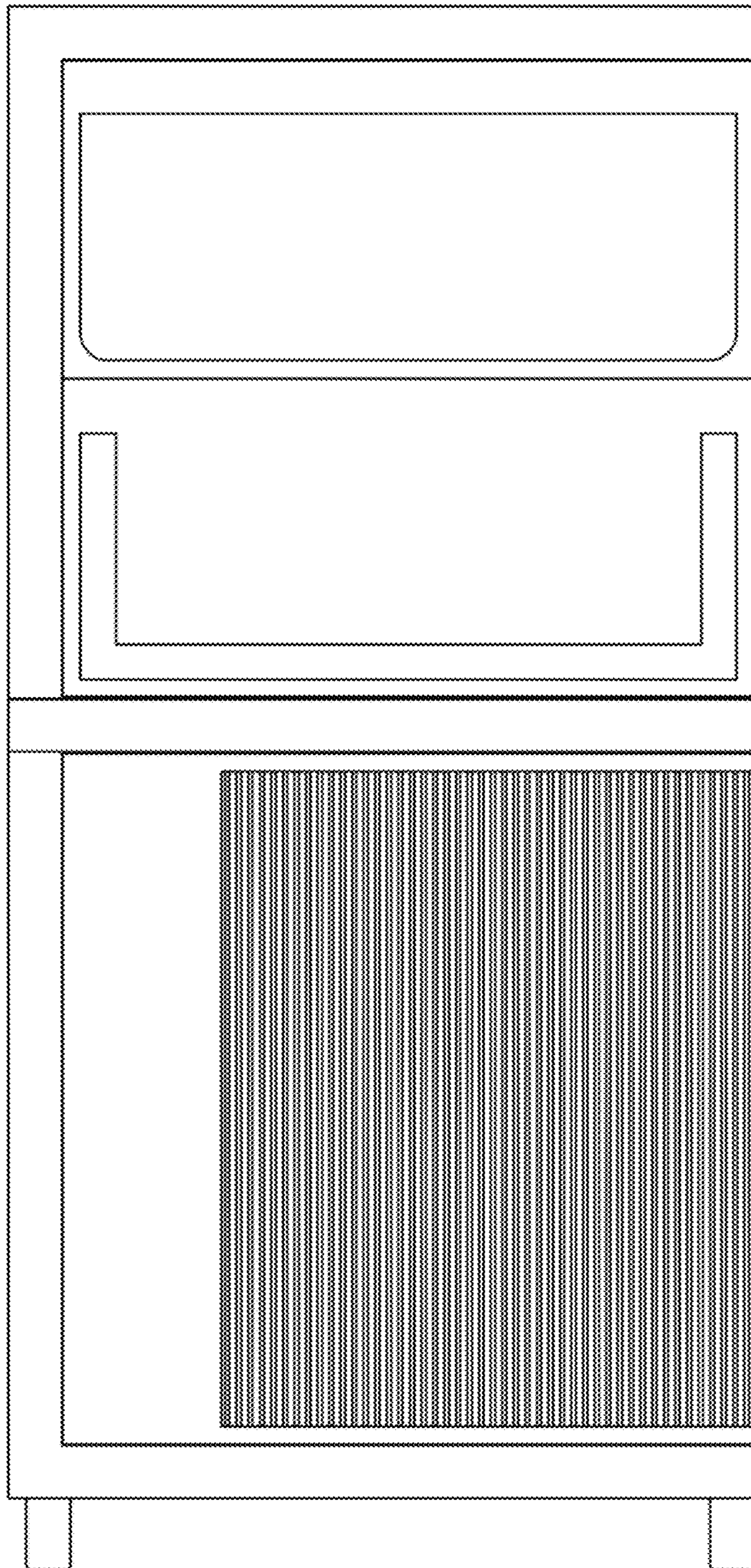
1.1



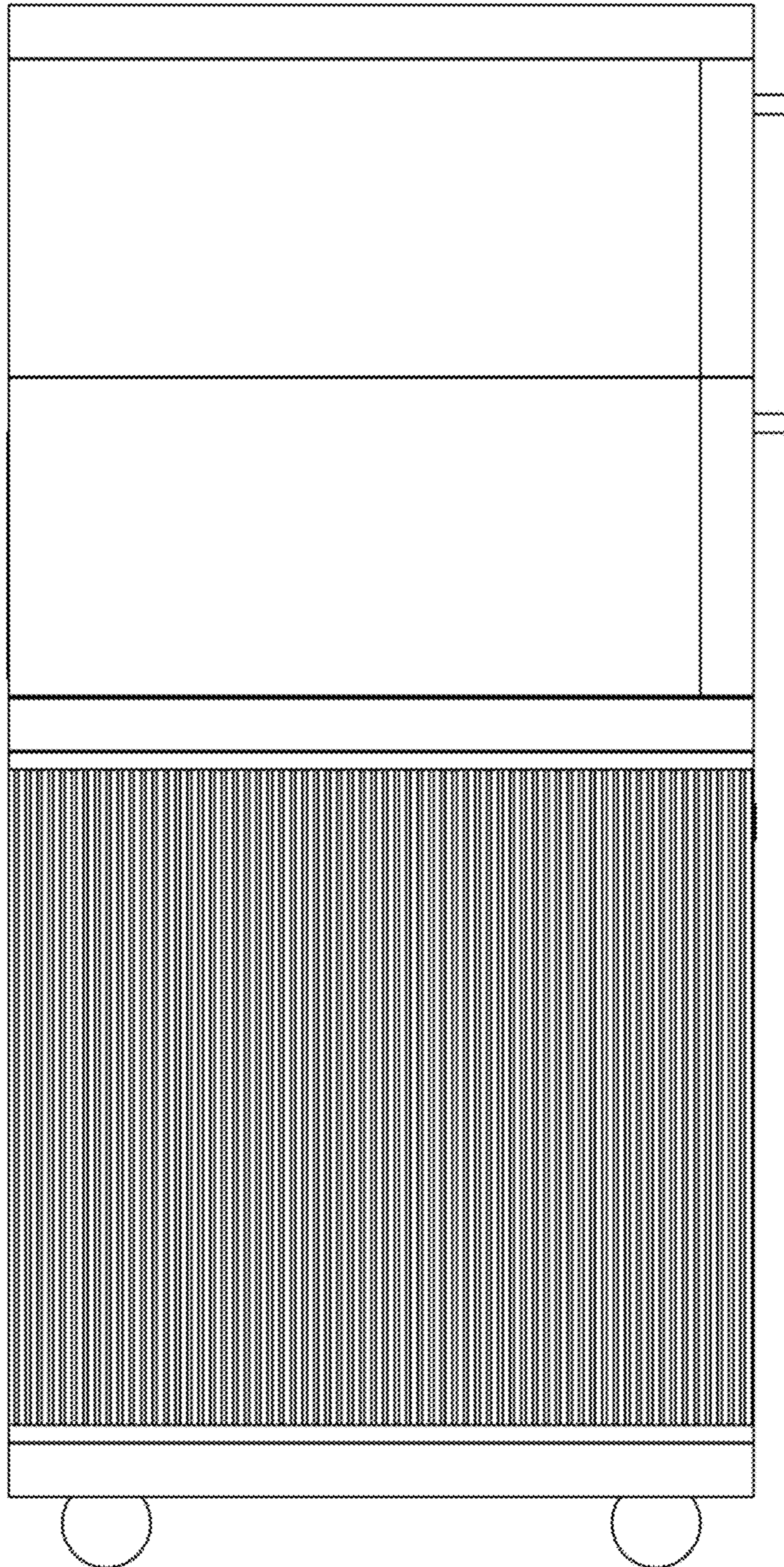
1.2



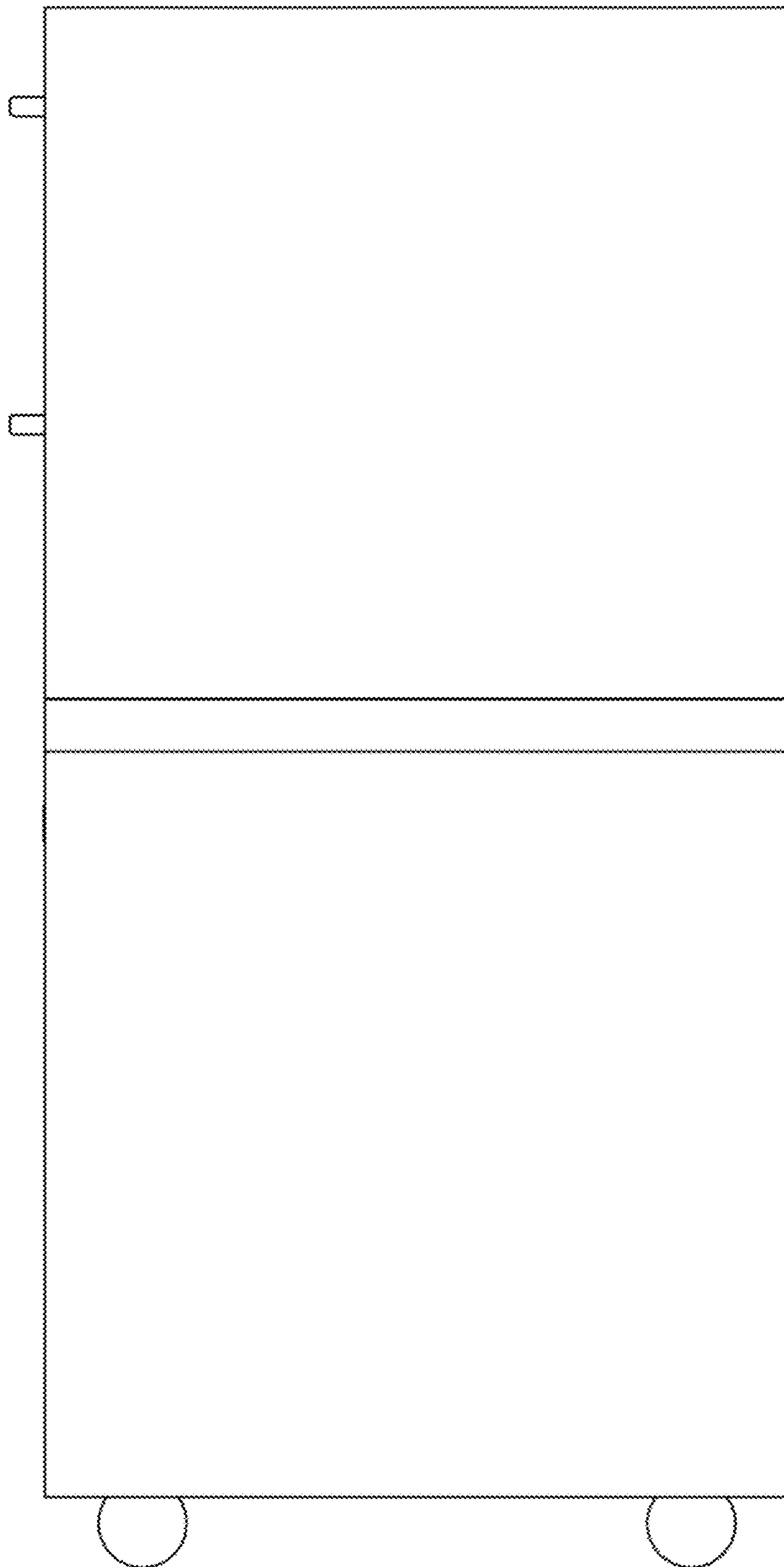
1.3



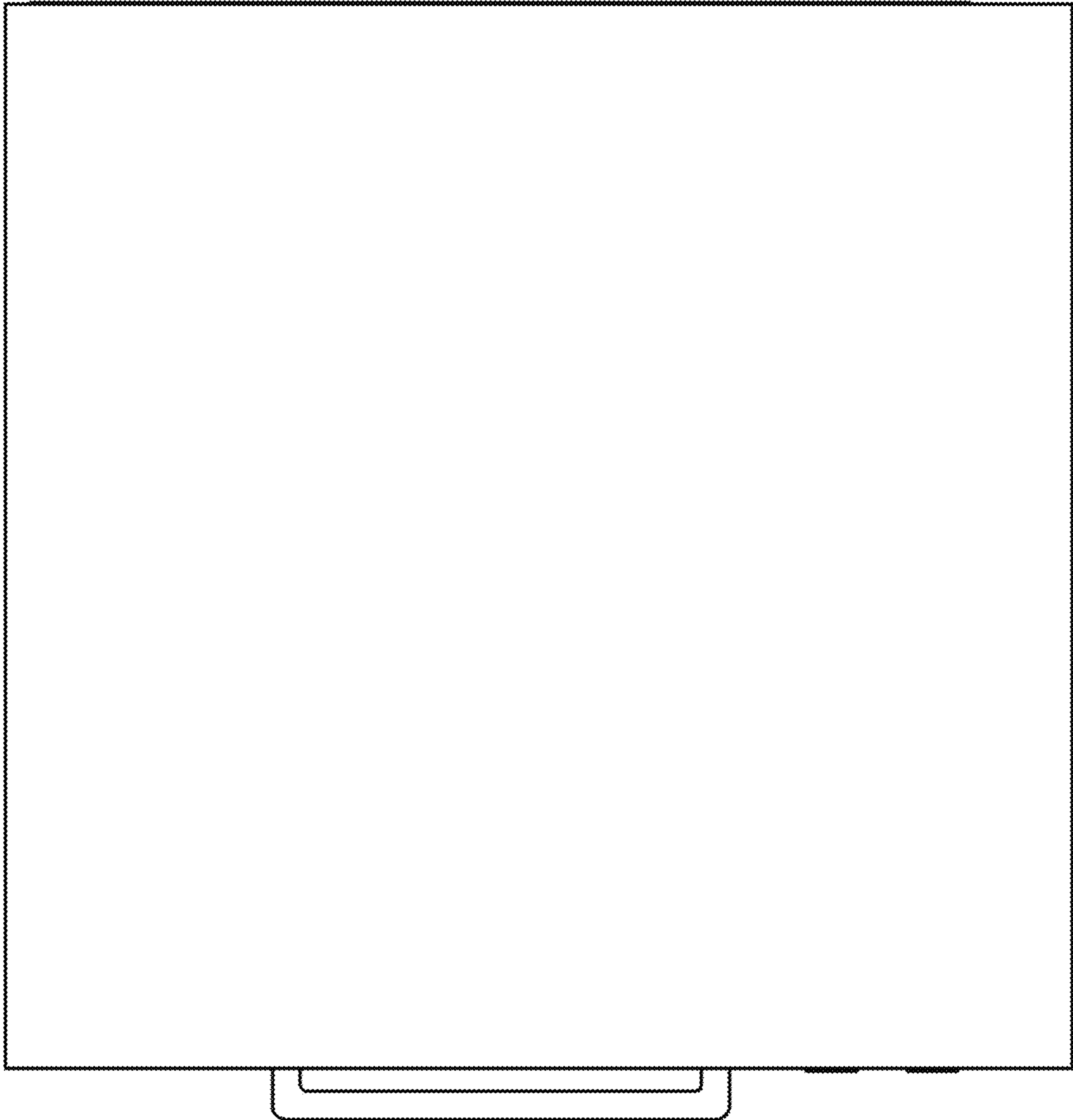
1.4



1.5



1.6



1.7

