



US00D801602S

(12) **United States Design Patent**
Im et al.

(10) **Patent No.:** **US D801,602 S**
(45) **Date of Patent:** **** Oct. 31, 2017**

- (54) **DRUM-TYPE WASHING MACHINE**
- (71) Applicant: **SAMSUNG ELECTRONICS CO., LTD.**, Suwon-si (KR)
- (72) Inventors: **Hyunhee Im**, Seoul (KR); **Sangyoung Kweon**, Suwon-si (KR); **Jihye Lee**, Hwaseong-si (KR); **Jihoon Choi**, Yongin-si (KR)
- (73) Assignee: **Samsung Electronics Co., Ltd.**, Suwon-si (KR)
- (**) Term: **15 Years**

8,024,948 B2 *	9/2011	Kitamura	D06F 58/22	6/18 F
D648,907 S *	11/2011	Jeon	D32/6	
D649,722 S *	11/2011	Chung	D32/6	
D653,822 S *	2/2012	Geyer	D32/6	
D658,340 S *	4/2012	Jeon	D32/6	
8,240,175 B2 *	8/2012	Kim	D06F 39/005	312/228.1
D689,515 S *	9/2013	Yang	D14/489	
D703,885 S *	4/2014	Ha	D32/6	
D703,886 S *	4/2014	Ha	D32/6	
D705,505 S *	5/2014	Ha	D32/25	
D731,132 S *	6/2015	Ha	D32/28	
D732,767 S *	6/2015	Ha	D32/25	
D735,424 S *	7/2015	Ha	D32/6	

(Continued)

- (21) Appl. No.: **29/560,611**
- (22) Filed: **Apr. 8, 2016**

Primary Examiner — Manpreet Matharu
Assistant Examiner — Rebecca Tsehaye
(74) *Attorney, Agent, or Firm* — NSIP Law

(30) **Foreign Application Priority Data**

Oct. 16, 2015 (KR) 30-2015-0052204

- (51) **LOC (10) Cl.** **15-05**
- (52) **U.S. Cl.**
USPC **D32/6**

- (58) **Field of Classification Search**
USPC D32/1, 5, 6, 8, 10, 11, 25, 28, 29;
D6/349, 352, 559, 560; D3/273, 297,
D3/307; 312/228; 68/27, 11, 38, 20,
68/3 R, 5 R
CPC D06F 21/10; D06F 21/02; D06F 21/00;
D06F 21/12; D06F 21/04; D06F 21/06;
D06F 21/08; D06F 23/02; D06F 23/06;
D06F 23/028; D06F 23/04; D06F 23/065
See application file for complete search history.

(56) **References Cited**

U.S. PATENT DOCUMENTS

- D620,650 S * 7/2010 Lee D32/6
- D622,916 S * 8/2010 Lee D32/6

(57) **CLAIM**

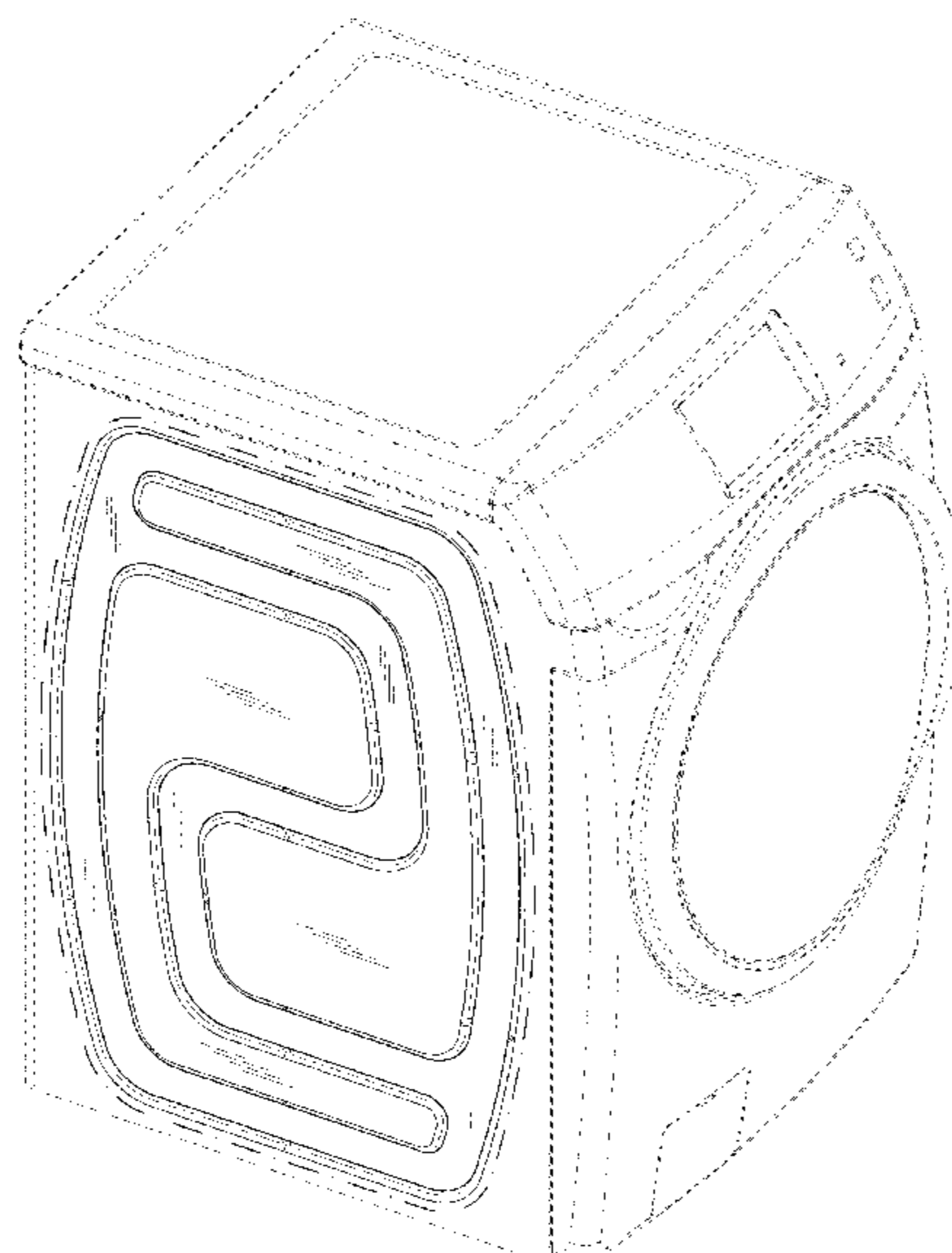
We claim the ornamental design for a drum-type washing machine, as shown and described.

DESCRIPTION

FIG. 1 is a front perspective view of a drum-type washing machine showing our new design;
FIG. 2 is a front view thereof;
FIG. 3 is a rear view thereof;
FIG. 4 is a left-side view thereof;
FIG. 5 is a right-side view thereof;
FIG. 6 is a top view thereof;
FIG. 7 is a bottom view thereof; and,
FIG. 8 is a cross-sectional view taken through line 8-8 of FIG. 4.

The broken lines in the figures show portions of the drum-type washing machine which form no part of the claimed design. The dot-dash broken lines define boundaries of the claimed design and form no part the claimed design.

1 Claim, 8 Drawing Sheets



(56)

References Cited

U.S. PATENT DOCUMENTS

D739,097 S * 9/2015 Qin D32/6
D746,521 S * 12/2015 Ha D32/6

* cited by examiner

FIG. 1

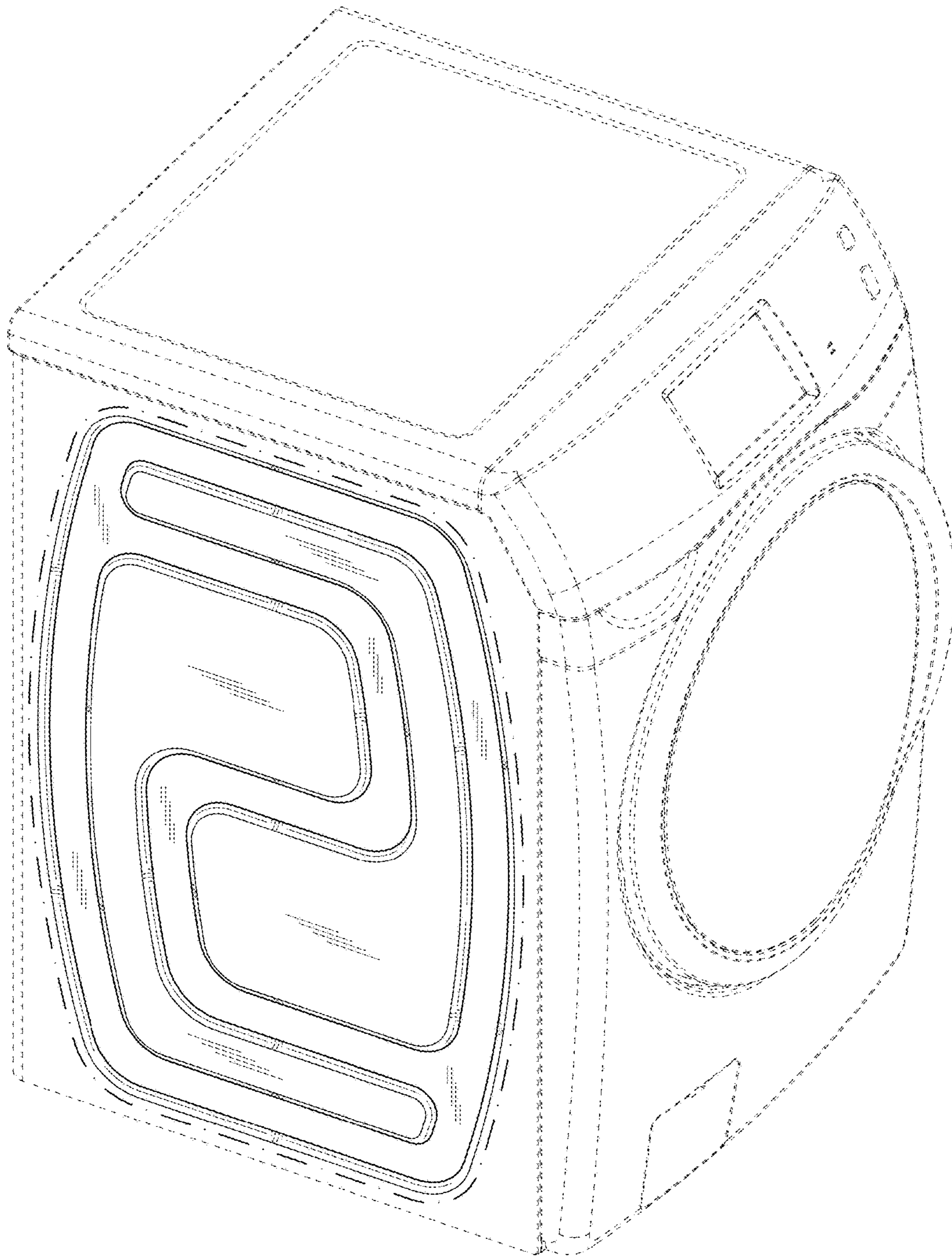


FIG.2

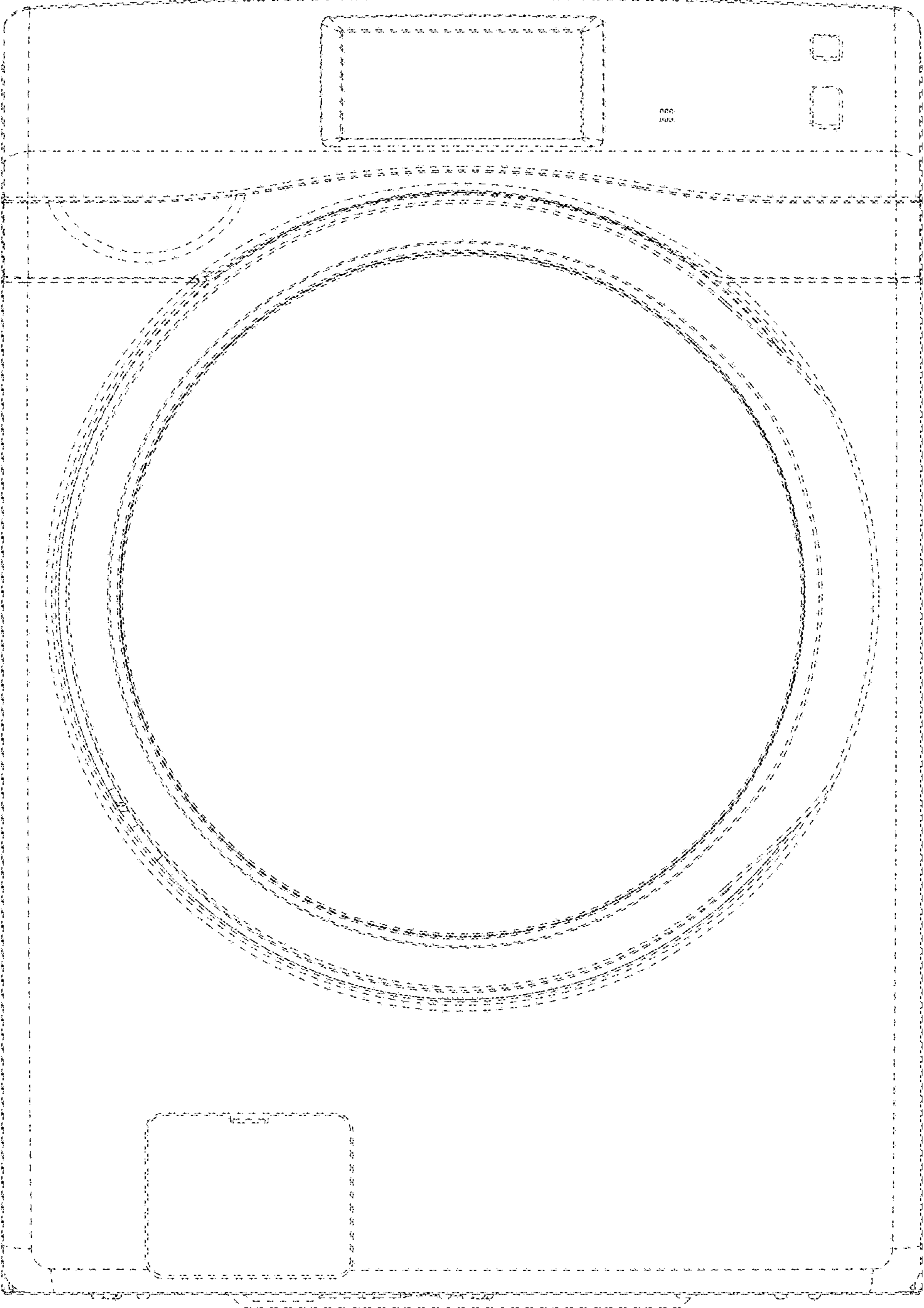


FIG.3

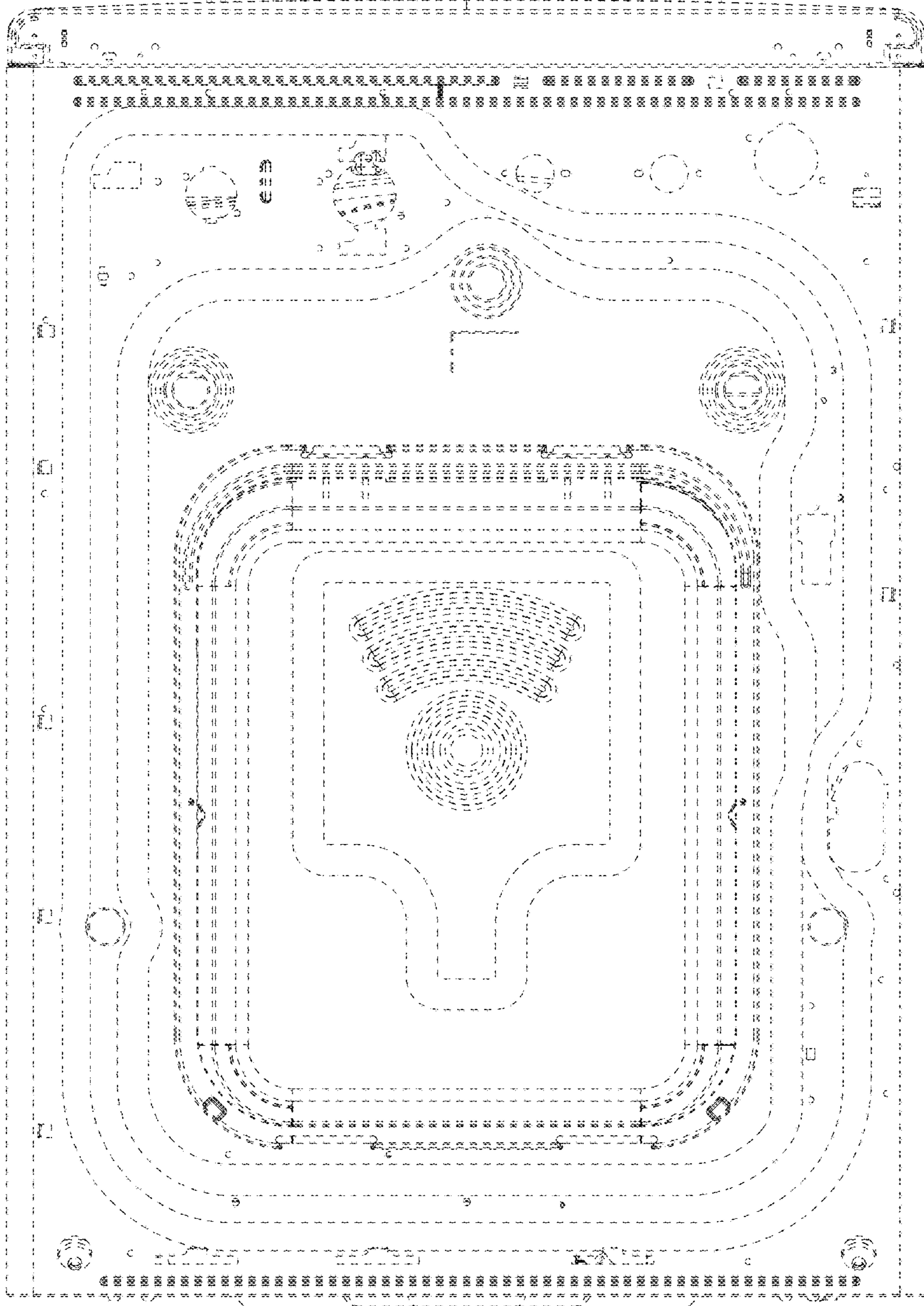


FIG.4

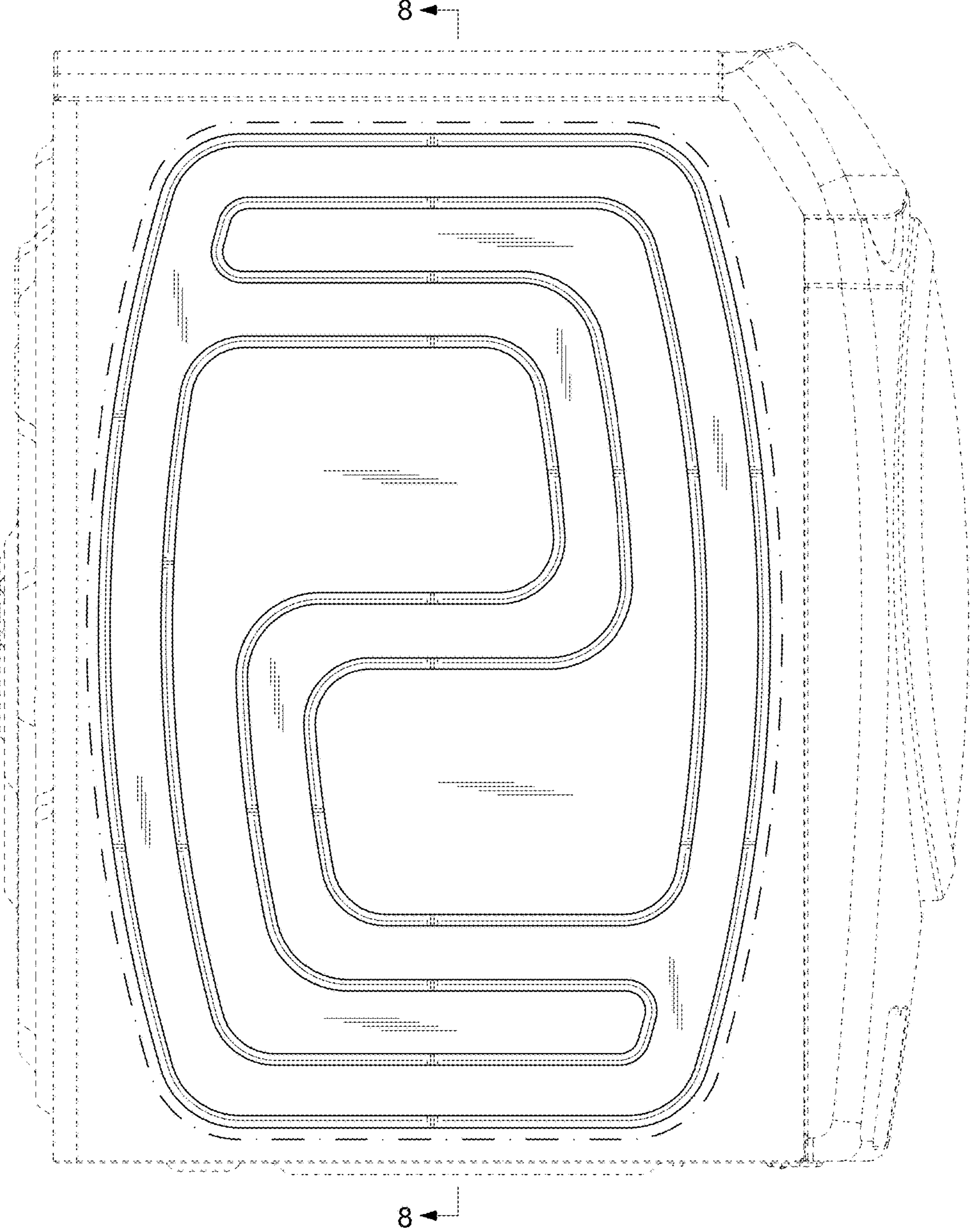


FIG.5

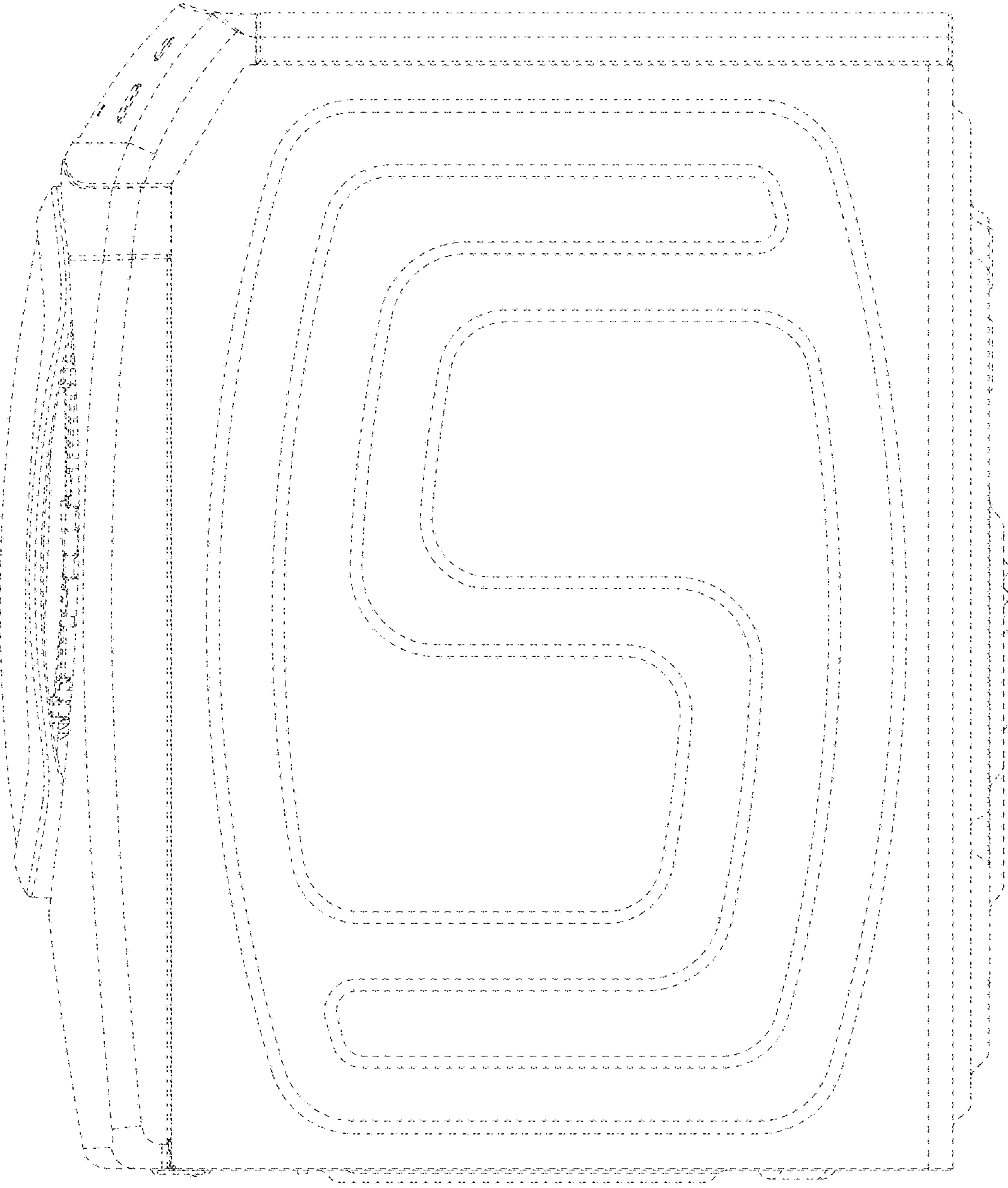


FIG.6

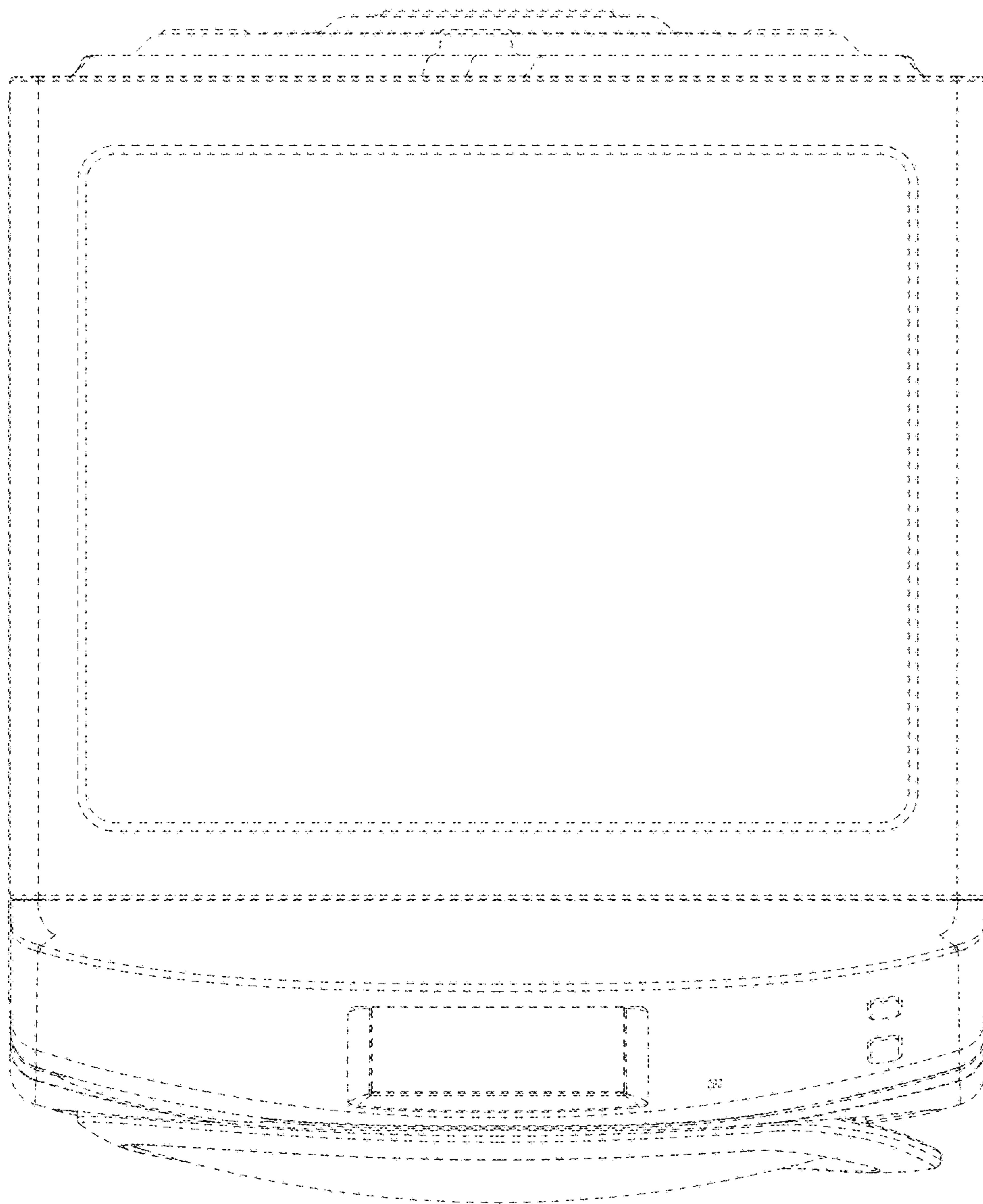


FIG.7

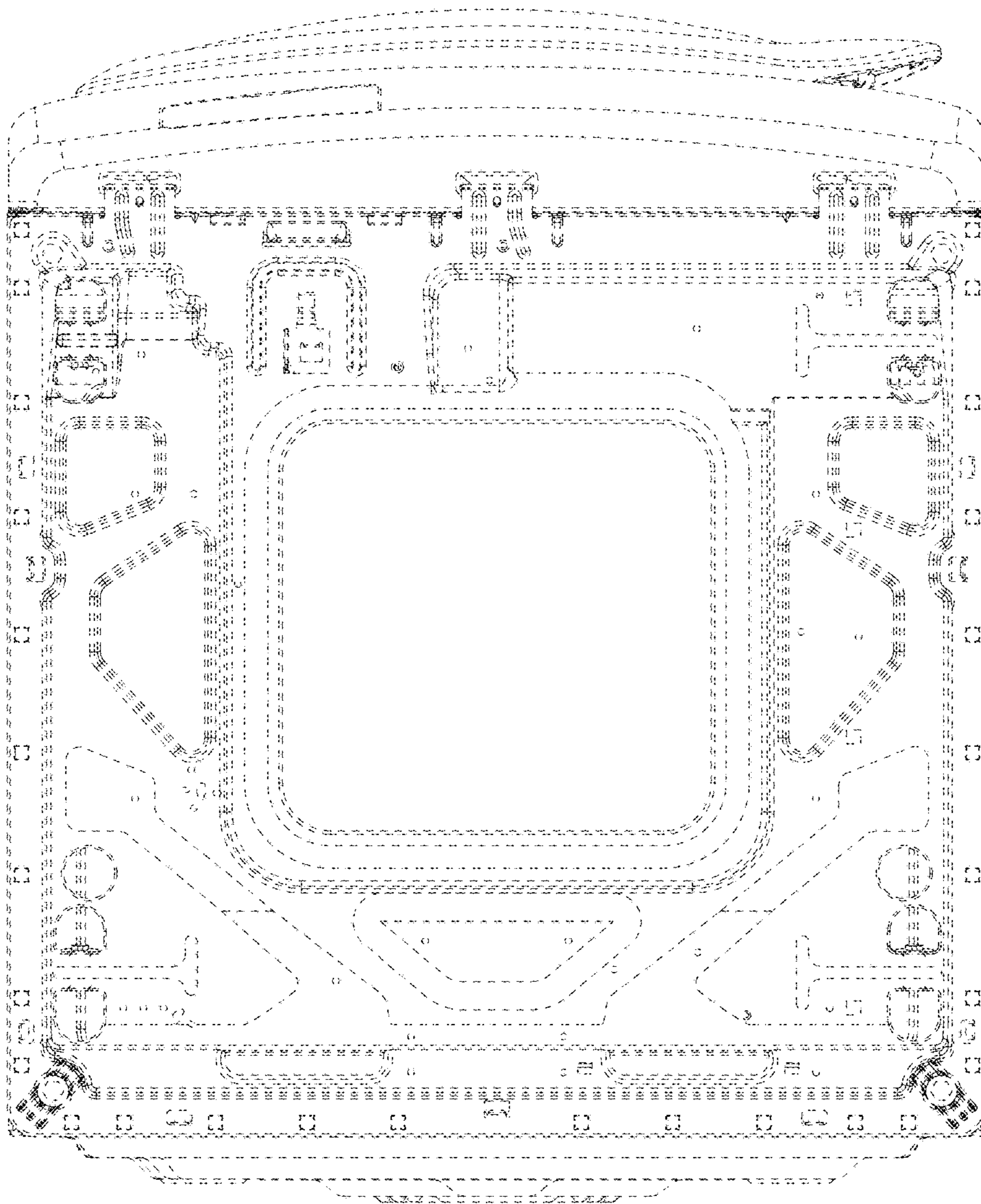


FIG.8

