



US00D801599S

(12) **United States Design Patent** (10) **Patent No.:** **US D801,599 S**
Macca et al. (45) **Date of Patent:** **** Oct. 31, 2017**

(54) **MULTI-FUNCTION PET TOOL**

(71) Applicant: **Nite Ize, Inc.**, Boulder, CO (US)

(72) Inventors: **Darren Macca**, Longmont, CO (US);
Andrew Valentine, Denver, CO (US);
Bowden Ormsbee, Longmont, CO (US)

(73) Assignee: **Nite Ize, Inc.**, Boulder, CO (US)

(**) Term: **15 Years**

(21) Appl. No.: **29/550,606**

(22) Filed: **Jan. 5, 2016**

(51) **LOC (10) Cl.** **30-03**

(52) **U.S. Cl.**
USPC **D30/199**; D8/105; D8/34; D3/208;
D3/210; D30/158

(58) **Field of Classification Search**

USPC D30/199, 158, 159, 138, 144, 151–155;
D8/14, 18, 26, 34, 33, 55, 105, 356, 499;
119/174, 600, 601, 611–632, 650–653,
119/712, 769–776, 786–799, 801, 858,
119/863, 865; D10/78, 104, 116, 70, 47,
D10/106.1, 57, 103, 106.9; D13/168,
D13/108, 107, 184, 147, 118, 119, 103,
D13/106; D11/1, 2, 14, 26–29, 89–92,
D11/44, 48, 81, 99; D21/329; 382/115,
382/124, 125–127, 313, 321; 902/3–5;
400/489; 379/433.07; 312/223.2, 263;
348/836–839, 843, 66; 220/783;
362/157, 158; D26/37, 45, 50, 38, 40;
D23/213; D22/117; D28/35; D14/480.5,
D14/484.1, 480.3, 480.4, 480.1, 435.1,
D14/507, 510, 154, 158, 163, 160, 167,
D14/168, 171, 172, 192, 193, 196, 203.1,
D14/203.3, 203.5, 226, 238.1, 242, 356,
D14/357, 358, 359, 637, 496; D9/415;
D3/207, 208, 209; 358/473; 235/462.43,
235/462.45, 462.47, 462.48, 462.44,
235/462.46, 487, 472.01, 472.02;

16/110.1, 430, 431; 439/133, 135;
709/219, 201; 710/73; 320/114, 115,
320/123; 361/679; 455/575.1, 561, 571;
433/29, 37, 72, 114, 116; 63/26–28, 32;
7/151, 158, 161, 162; 81/3.07, 3.09, 3.4,
81/488

(Continued)

(56) **References Cited**

U.S. PATENT DOCUMENTS

1,899,203 A * 2/1933 Labreche A44C 15/00
7/151
2,046,334 A * 7/1936 Loeber A47L 13/08
15/236.05

(Continued)

Primary Examiner — Susan Moon Lee

(74) *Attorney, Agent, or Firm* — Haynes and Boone, LLP

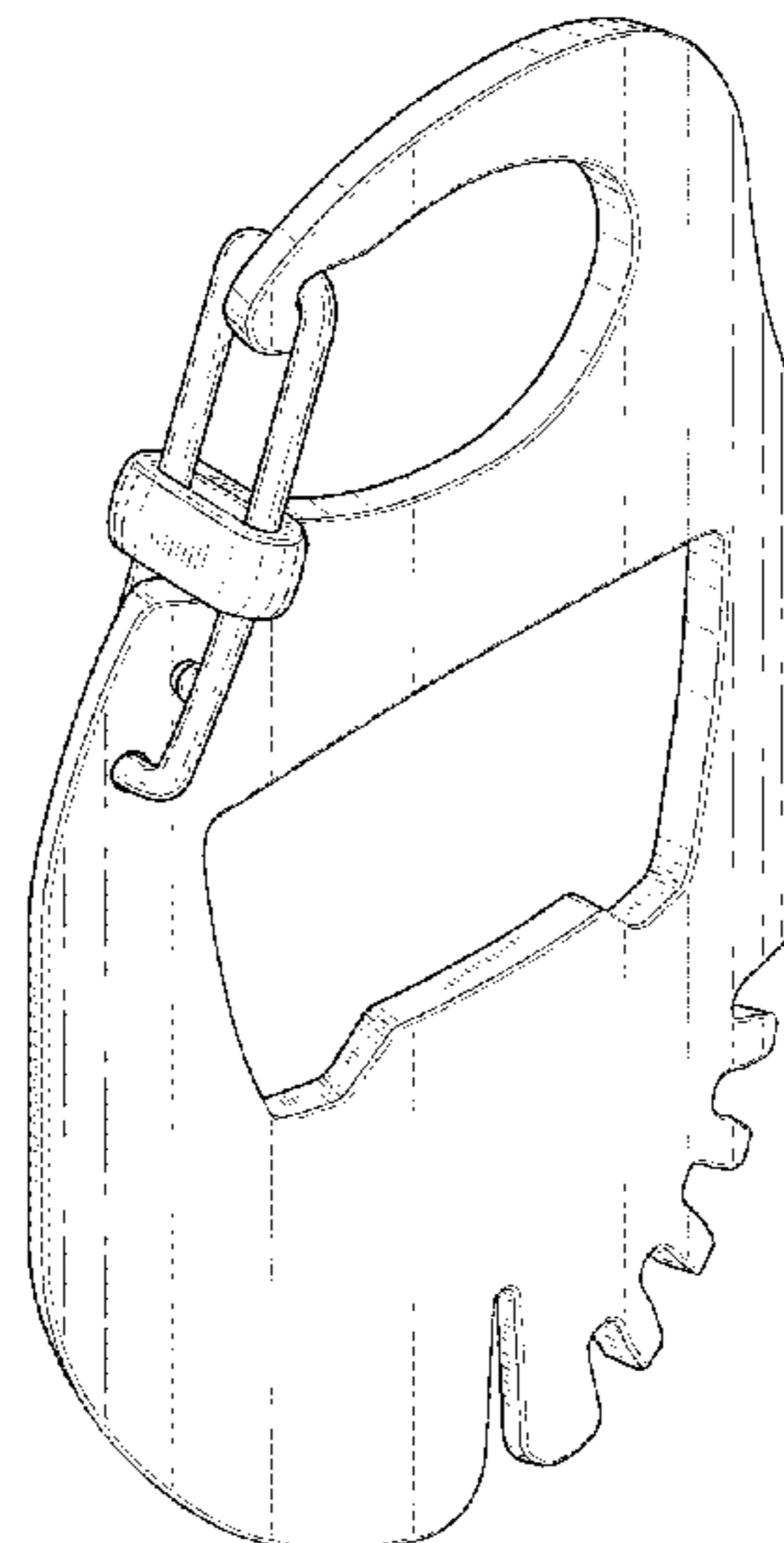
(57) **CLAIM**

The ornamental design for a multi-function pet tool, as shown and described.

DESCRIPTION

FIG. 1 is a first perspective view of the multi-function pet tool;
FIG. 2 is a front view of the multi-function pet tool of FIG. 1;
FIG. 3 is a right side view of the multi-function pet tool of FIG. 1;
FIG. 4 is a back view of the multi-function pet tool of FIG. 1;
FIG. 5 is a left side view of the multi-function pet tool of FIG. 1;
FIG. 6 is a top view of the multi-function pet tool of FIG. 1;
and,
FIG. 7 is a bottom view of the multi-function pet tool of FIG. 1.

1 Claim, 5 Drawing Sheets



- (58) **Field of Classification Search**
 CPC A01K 13/00; A01K 13/002; A01K 13/003;
 A01K 27/00–27/009; F16B 45/00–45/06;
 A45F 3/00; A45F 2003/001; A45F 4/00;
 A45F 2005/002; A45F 2005/006; A45F
 2005/008; A45F 2005/026; A45F 5/004;
 A45F 2200/0575; A63B 27/00
 See application file for complete search history.

(56) **References Cited**

U.S. PATENT DOCUMENTS

D109,695 S * 5/1938 Calencia D8/18
 D141,553 S * 6/1945 John 182/209
 D177,346 S * 4/1956 Norris D14/192
 4,363,147 A * 12/1982 Deweese B25F 1/00
 7/158
 D273,273 S * 4/1984 Faidide D8/367
 D281,483 S * 11/1985 Faidide D8/367
 4,598,435 A * 7/1986 Borodulin B65D 41/026
 215/322
 D285,989 S * 10/1986 MacDonald D3/207
 4,633,740 A * 1/1987 Jacobs B67B 7/16
 7/151
 D296,978 S * 8/1988 Smith D8/34
 D302,514 S * 8/1989 Gates D8/105
 D303,322 S * 9/1989 Tsamas D3/207
 4,891,961 A * 1/1990 Tsamas A44B 15/00
 24/598.5
 5,090,277 A * 2/1992 Spiller A43B 1/0027
 254/131
 D325,499 S * 4/1992 Wilder D8/33
 D335,432 S * 5/1993 Vaughan D8/34
 D395,355 S * 6/1998 von Freiberg D13/168
 D399,344 S * 10/1998 Ricci D3/207
 5,937,490 A * 8/1999 Mihailovic F16B 45/02
 24/599.4
 6,070,497 A * 6/2000 Farelli B67B 7/16
 81/3.09
 D431,431 S * 10/2000 Allen D8/14
 D432,027 S * 10/2000 Fox D10/2
 D444,685 S * 7/2001 Shenkel D3/208
 D449,975 S * 11/2001 Smith D8/356
 D455,642 S * 4/2002 Kelleghan D8/367
 D459,338 S * 6/2002 Sterzick D14/196
 D467,819 S * 12/2002 Tang D10/30
 D468,997 S * 1/2003 Chang D8/356
 D469,023 S * 1/2003 Mah D10/15
 D469,755 S * 2/2003 Hlas D14/223
 6,527,434 B1 * 3/2003 Fox G04B 37/1433
 368/276
 D472,700 S * 4/2003 MacDonald D3/209
 D475,591 S * 6/2003 Luquire D8/34
 D476,304 S * 6/2003 Fox D14/203.1
 D478,823 S * 8/2003 Kelleghan D10/68
 D479,221 S * 9/2003 Wong D14/192
 D485,431 S * 1/2004 Hsu D3/210
 D501,843 S * 2/2005 Oas D14/188
 D502,497 S * 3/2005 Tien D18/2

D505,938 S * 6/2005 Tse D14/188
 D513,579 S * 1/2006 Barber D8/105
 D515,903 S * 2/2006 Kelleghan D8/105
 D519,010 S * 4/2006 Oas D8/34
 D521,587 S * 5/2006 Smith D10/31
 D529,944 S * 10/2006 Oas D14/346
 D533,427 S * 12/2006 Barber D8/356
 D543,581 S * 5/2007 Bhavnani D14/346
 D546,159 S * 7/2007 Kushner D8/105
 D553,480 S * 10/2007 Kelleghan D8/356
 D571,673 S * 6/2008 Cooper D10/37
 D576,002 S * 9/2008 Barber D8/105
 D577,555 S * 9/2008 MacDonald D8/19
 D584,437 S * 1/2009 Barber D26/37
 D594,721 S * 6/2009 Smith D8/18
 D600,528 S * 9/2009 Nyssen D8/105
 D621,672 S * 8/2010 Knapton D3/210
 D622,562 S * 8/2010 Knapton D3/210
 D624,306 S * 9/2010 Case D3/207
 D624,307 S * 9/2010 Case D3/207
 D626,393 S * 11/2010 Ormsbee D8/18
 D637,366 S * 5/2011 Grainer D30/155
 D639,046 S * 6/2011 Ormsbee D3/207
 D643,757 S * 8/2011 Chang D10/65
 D652,971 S * 1/2012 Ormsbee D26/38
 D670,154 S * 11/2012 Kelleghan D8/356
 D698,625 S * 2/2014 Liang D8/356
 D709,344 S * 7/2014 Adelman B25B 15/00
 D3/208
 D715,042 S * 10/2014 Oas D3/215
 D715,610 S * 10/2014 Almsberger D8/18
 D716,168 S * 10/2014 Au Yeung D10/70
 D725,373 S * 3/2015 Jiang D3/207
 D729,513 S * 5/2015 Jiang D3/207
 D733,516 S * 7/2015 Kelleghan D8/105
 D737,173 S * 8/2015 Kelleghan D11/201
 D744,803 S * 12/2015 Johnson D8/93
 D747,947 S * 1/2016 Ma D8/105
 D758,824 S * 6/2016 Kelleghan D8/105
 D765,493 S * 9/2016 Spater D8/356
 D767,975 S * 10/2016 Jiang D3/207
 D768,460 S * 10/2016 Adelman D8/105
 D770,250 S * 11/2016 Fischer D8/17
 D772,029 S * 11/2016 Spater D8/18
 D772,677 S * 11/2016 Celestine D8/105
 D772,679 S * 11/2016 Hawker D3/210
 D773,273 S * 12/2016 Celestine D8/105
 D773,274 S * 12/2016 Berman D8/105
 D778,132 S * 2/2017 Fischer D8/17
 D780,550 S * 3/2017 Manor D8/105
 D784,682 S * 4/2017 Ormsbee D3/207
 2005/0081303 A1 * 4/2005 Goldberg B25B 15/00
 7/165
 2005/0144730 A1 * 7/2005 Barber B25B 7/22
 7/138
 2006/0266160 A1 * 11/2006 Yeh B67B 7/16
 81/3.4
 2014/0059782 A1 * 3/2014 Duncan B25F 1/04
 7/138

* cited by examiner

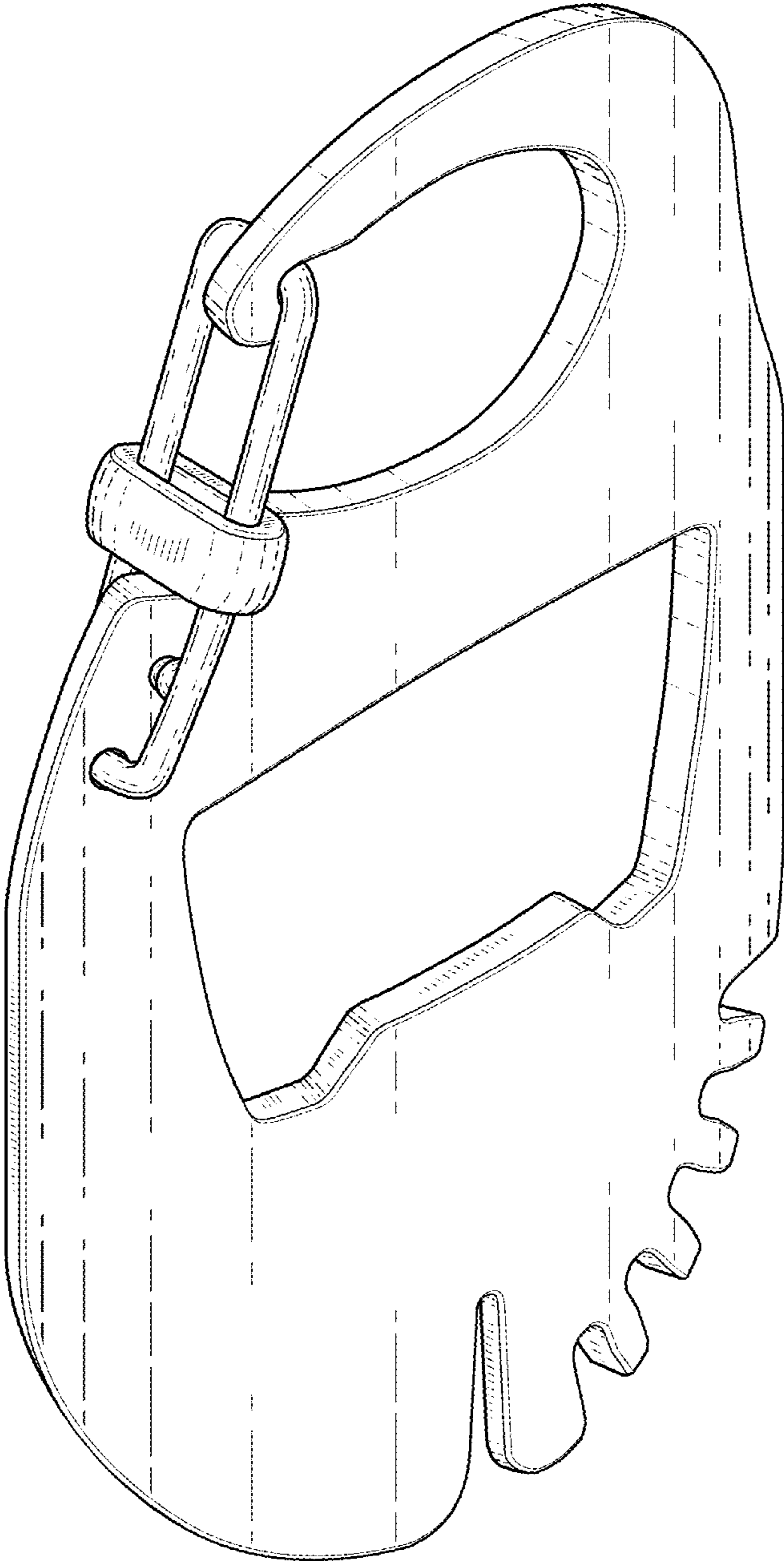


FIG. 1

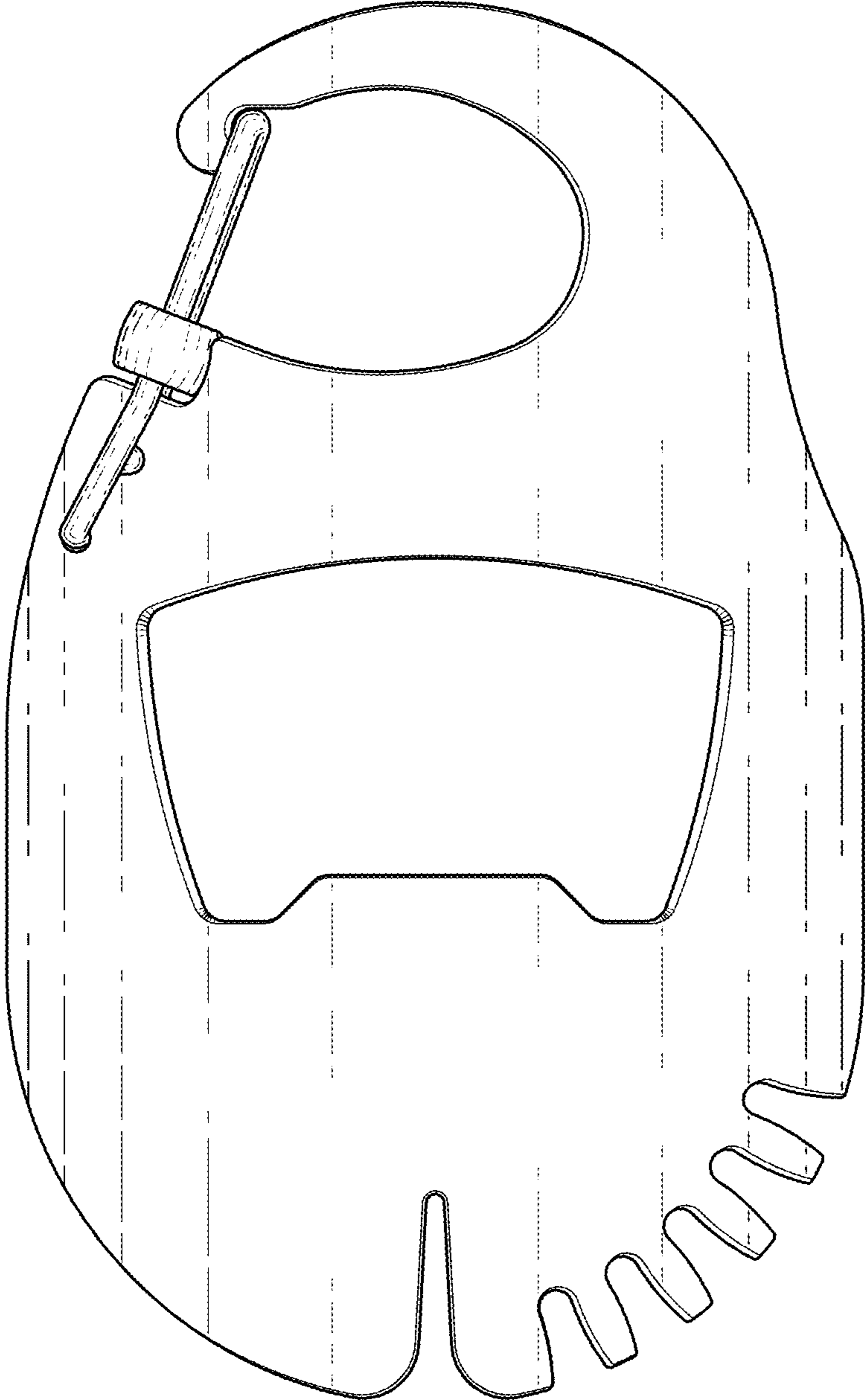


FIG. 2

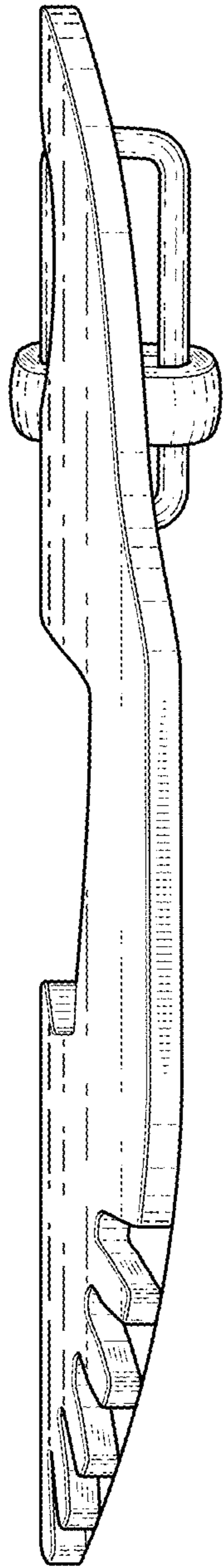


FIG. 3

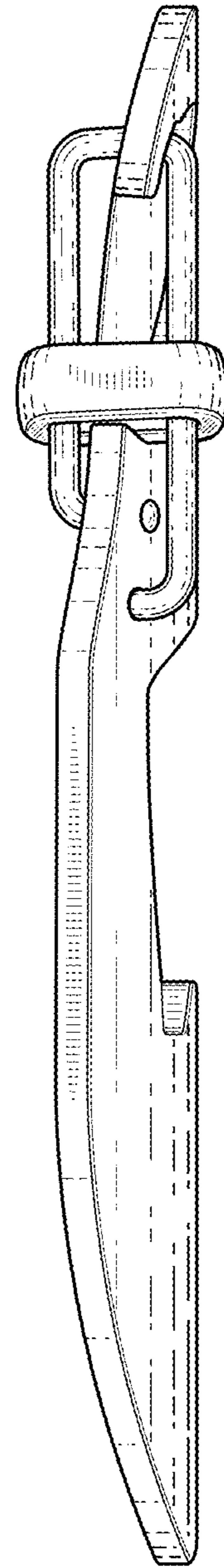


FIG. 5

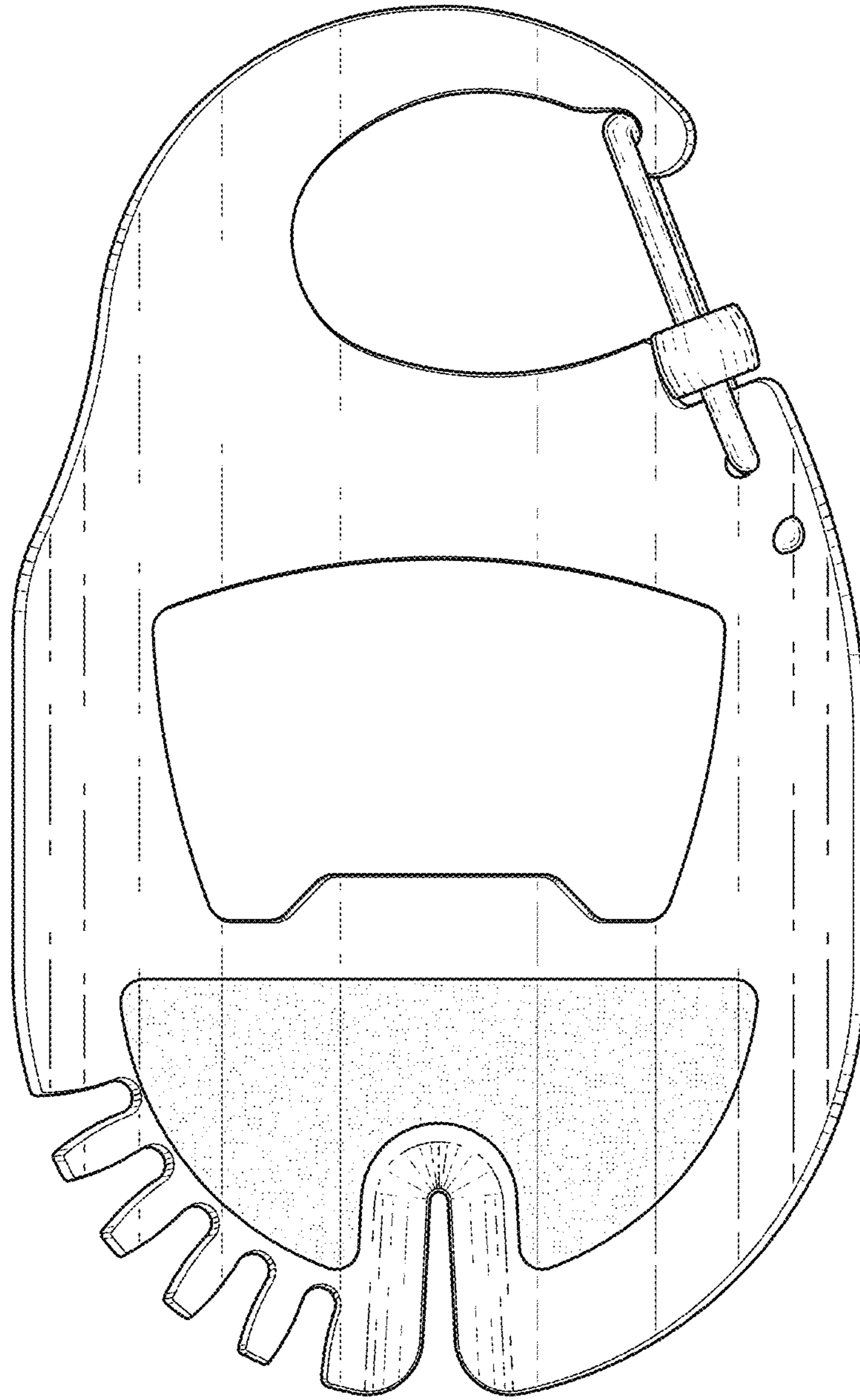


FIG. 4

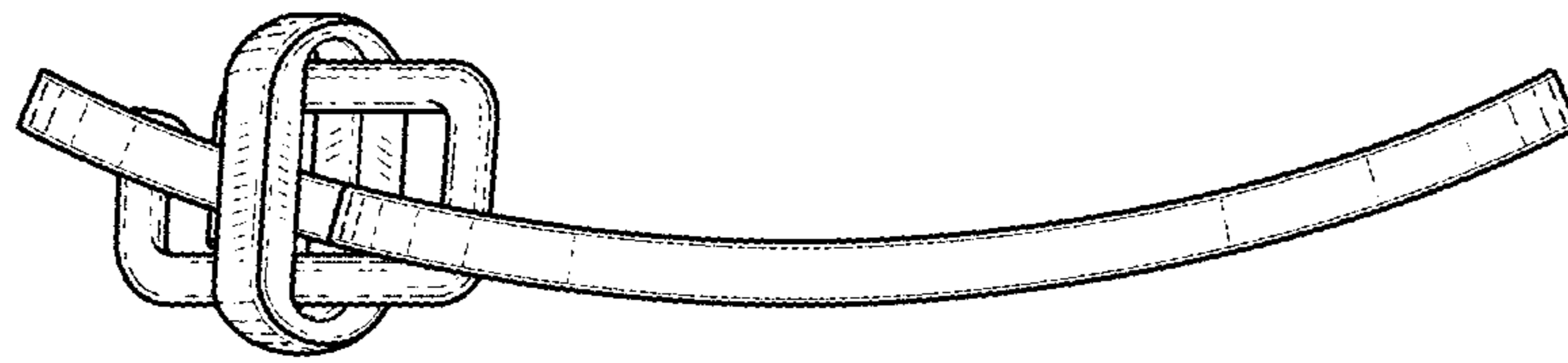


FIG. 6

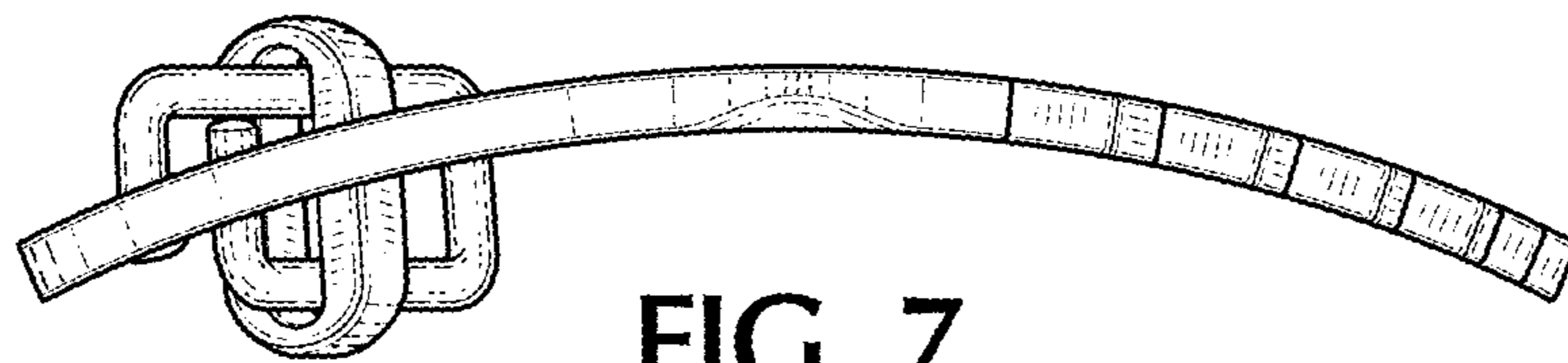


FIG. 7