



US00D801595S

(12) **United States Design Patent** (10) **Patent No.:** **US D801,595 S**
Oates (45) **Date of Patent:** **** Oct. 31, 2017**

(54) **DOG FOUNTAIN**

(71) Applicant: **PET MATE LIMITED**, Hersham,
Surrey (GB)

(72) Inventor: **Jeremy Oates**, Middlesex (GB)

(73) Assignee: **Pet Mate Limited**, Surrey (GB)

(**) Term: **15 Years**

(21) Appl. No.: **29/564,481**

(22) Filed: **May 13, 2016**

(51) **LOC (10) Cl.** **30-03**

(52) **U.S. Cl.**
USPC **D30/132**

(58) **Field of Classification Search**

USPC D30/121-133; 119/51.01, 61, 51.04, 53,
119/57.91, 54, 53.5, 52.4, 51.11, 63, 61.2,
119/52.1, 57.5, 57.6, 51.13, 62, 75, 500,
119/501, 72, 72.5, 74, 78-81, 61.56, 51.5;
239/7, 687, 379, 397.5; 222/199, 181.1,
222/181.2, 185.1, 557, 156, 485, 486,
222/548, 555, 207, 205, 424, 438, 48,
222/206, 212, 215, 460, 461, 525, 86, 89;
220/200, 227, 247, 262, 694, 700, 701,
220/703, 660-662, 521, 705, 709, 287,
220/523, 574, 6, 771, 737, 23.83, 212,
220/4.22, 847; 221/174, 185.1, 289, 295,
221/296, 559; 454/35; 209/270, 283,
209/244; 52/194, 192; 49/279, 344, 357;
D34/28; D9/531, 549, 516, 523, 530,
D9/538, 541, 544, 559, 719, 716, 424,
D9/426, 432, 428, 431, 433, 739;
D7/300, 300.1, 302-305, 312, 316, 317,
D7/507-512, 523, 524, 528, 700, 709,
D7/605, 620, 612, 619.1, 624.2, 624.3,
D7/550.1, 571, 587; D3/132; D15/143,
D15/199; D28/4, 7, 9; D19/66;
141/343, 331, 340, 384, 330, 332, 383,
141/311 R, 313, 338, 344, 345; 210/455;
215/228, 231, 235, 319-383, 386, DIG. 7,

215/388, 6, 12.1, 10, 13.1; 4/258, 259,
4/267; 206/459.1, 459.5, 501, 45.23, 6,
206/514, DIG. 10, 217, 543, 544, 546,
206/549, 223, 241, 541, 518, 522, 557,
206/591; 224/148.4, 148.7, 650
CPC . A01K 7/00; A01K 7/005; A01K 7/02; A01K
7/022; A01K 7/06; A01K 39/0213; A01K
39/02; B65D 41/26; B65D 41/265;
(Continued)

(56) **References Cited**

U.S. PATENT DOCUMENTS

D111,522 S * 9/1938 Preston D11/152
2,937,617 A * 5/1960 Brody A01K 39/04
119/51.5

(Continued)

Primary Examiner — Susan Moon Lee

(74) *Attorney, Agent, or Firm* — Fay Sharpe LLP

(57) **CLAIM**

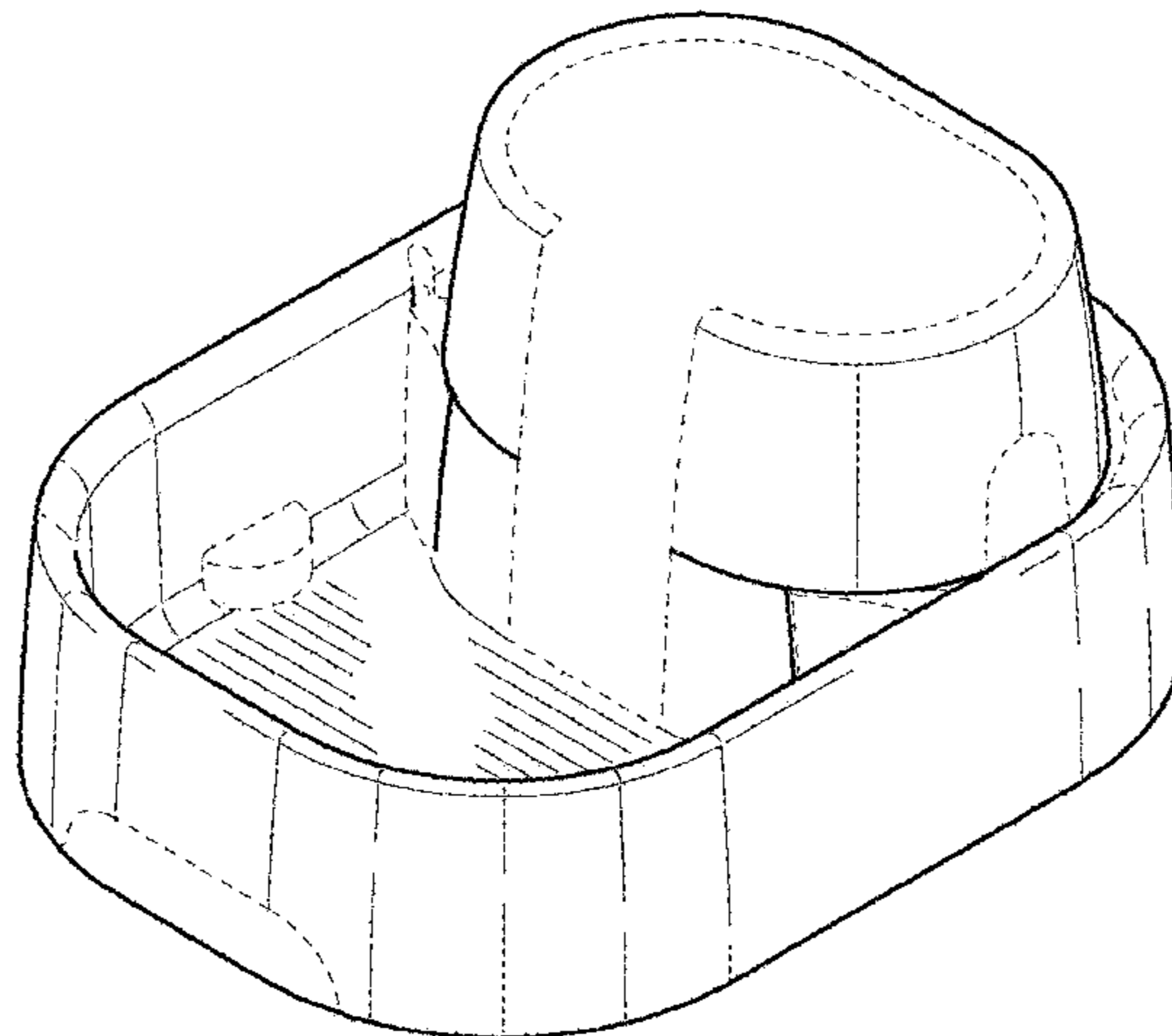
The ornamental design for a dog fountain, as shown and described.

DESCRIPTION

FIG. 1 is a front perspective view of a dog fountain;
FIG. 2 is a right side view of the dog fountain;
FIG. 3 is a top view of the dog fountain;
FIG. 4 is a left side view of the dog fountain;
FIG. 5 is a rear end view of the dog fountain;
FIG. 6 is a front end view of the dog fountain;
FIG. 7 is a rear top perspective view of the dog fountain,
shown with the uppermost component removed; and,
FIG. 8 is an exploded, front top perspective view of the dog fountain.

Broken lines and unshaded portions contained within broken lines depict portions of the dog fountain that form no part of the claimed design but are shown for purposes of illustration.

1 Claim, 8 Drawing Sheets



(58) **Field of Classification Search**

CPC B65D 41/28; B65D 41/32; B65D 41/325;
 B65D 41/34; B65D 41/56; B65D 51/20;
 B65D 51/249; B65D 51/24; B65D 51/28;
 B65D 47/243; B65D 2205/04; B65D
 21/0238; B65D 81/3205; B65D 81/3216;
 B65D 71/50; B65D 77/2024; B65D
 43/0212; B65D 2517/0049; B65D
 2543/00046; B65D 2543/00092; B65D
 2543/00537; B65D 2543/00731; B65D
 2543/00796; B65D 2577/205; A61J 9/00;
 A61J 9/006; A61J 9/001; A61J 9/003;
 A61J 11/04; A61J 19/00; B65B 39/00;
 B65B 39/001; B65B 39/005; B65B
 39/007; B67C 11/02; G01F 11/286; B67B
 7/28

See application file for complete search history.

(56) **References Cited**

U.S. PATENT DOCUMENTS

3,085,718 A * 4/1963 Nelson A47F 1/08
 222/168
 3,112,733 A * 12/1963 Arnott A01K 7/02
 119/77
 4,034,715 A * 7/1977 Arner A01K 5/0114
 119/51.5
 4,128,080 A * 12/1978 Haney A01K 5/0142
 119/51.5
 4,470,371 A * 9/1984 Strickland A01K 7/04
 119/78
 D289,208 S * 4/1987 Fanciullo D30/129
 D294,531 S * 3/1988 Neunzig D30/130
 4,840,143 A * 6/1989 Simon A01K 5/0225
 119/52.1
 5,277,149 A * 1/1994 East A01K 7/00
 119/51.5
 D346,465 S * 4/1994 Russell D30/130
 D348,418 S * 7/1994 White-Wexler D11/155
 D350,842 S * 9/1994 VanSkiver D30/121
 D351,689 S * 10/1994 VanSkiver D30/121
 D371,643 S * 7/1996 Lillelund D30/122
 5,560,315 A * 10/1996 Lampe A01K 5/0114
 119/51.5
 5,632,228 A * 5/1997 Ybarra A01K 5/0114
 119/51.5
 5,743,210 A * 4/1998 Lampe A01K 5/0135
 119/51.5
 5,775,255 A * 7/1998 Louviere, III A01K 5/0142
 119/51.5
 5,799,609 A * 9/1998 Burns A01K 7/00
 119/74
 D401,009 S * 11/1998 Hicaro, Jr. D27/102
 5,842,437 A * 12/1998 Burns A01K 7/00
 119/74

6,055,932 A * 5/2000 Weber A01K 5/0114
 119/52.1
 D428,217 S * 7/2000 Rodack D30/132
 6,142,099 A * 11/2000 Lange, Jr. A01K 5/0142
 119/51.5
 6,212,804 B1 * 4/2001 Richard G09F 19/00
 40/406
 6,467,428 B1 * 10/2002 Andrisin A01K 5/0114
 119/51.5
 D491,250 S * 6/2004 Raymond D23/201
 6,845,735 B1 * 1/2005 Northrop A01K 5/0225
 119/52.1
 D512,801 S * 12/2005 Kratzer D30/130
 6,971,331 B1 * 12/2005 Rohrer A01K 7/02
 119/52.1
 7,146,930 B1 * 12/2006 Ness A01K 7/02
 119/72
 D556,954 S * 12/2007 May D30/129
 D602,653 S * 10/2009 Mendenhall D30/130
 7,958,844 B1 * 6/2011 Northrop A01K 7/02
 119/74
 D642,337 S * 7/2011 Namvong D30/130
 8,171,885 B1 * 5/2012 Northrop A01K 7/02
 119/74
 D665,870 S * 8/2012 Fang D23/201
 8,261,696 B1 * 9/2012 Lipscomb A01K 7/02
 119/702
 D699,901 S * 2/2014 McCallum D30/132
 8,640,648 B2 * 2/2014 Lathim A01K 1/0107
 119/165
 D704,388 S * 5/2014 Fang D30/132
 D704,391 S * 5/2014 Tan D30/132
 D704,392 S * 5/2014 Fang D30/132
 D733,366 S * 6/2015 Poisson D30/132
 D751,774 S * 3/2016 Allen D30/122
 D769,548 S * 10/2016 Spiegel D30/121
 2002/0073926 A1 * 6/2002 Ness A01K 5/0114
 119/72
 2003/0178502 A1 * 9/2003 Pankow A61M 21/00
 239/17
 2005/0160995 A1 * 7/2005 Graves A01K 39/024
 119/78
 2006/0196438 A1 * 9/2006 Caputa A01K 1/0107
 119/165
 2006/0230676 A1 * 10/2006 Rowe A01K 7/00
 47/66.6
 2010/0300366 A1 * 12/2010 Lipscomb A01K 45/002
 119/74
 2011/0114026 A1 * 5/2011 Lathim A01K 7/02
 119/72
 2014/0069340 A1 * 3/2014 Lipscomb A01K 7/00
 119/74
 2016/0165836 A1 * 6/2016 Lipscomb A01K 5/0114
 119/51.5

* cited by examiner

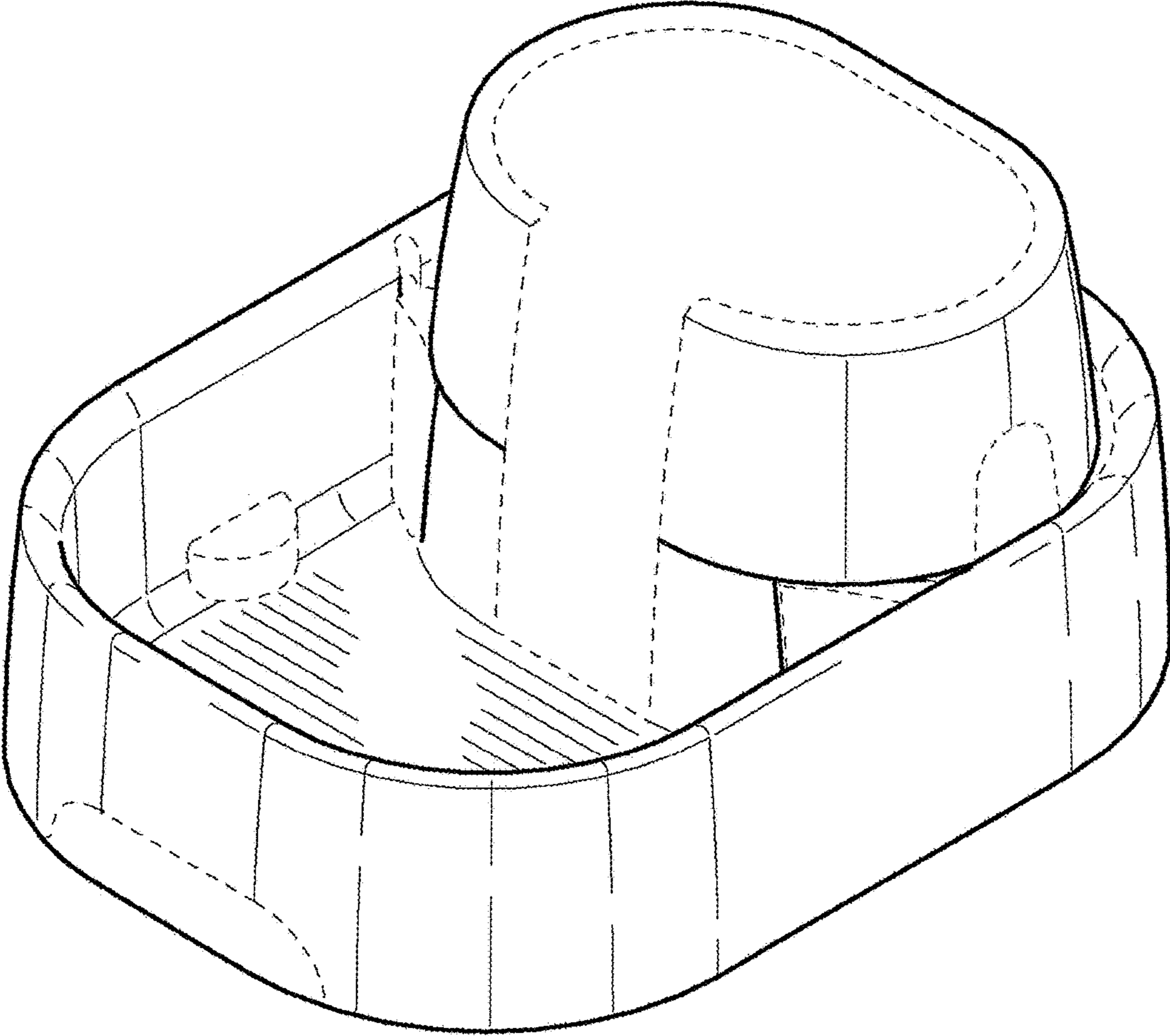


FIG. 1

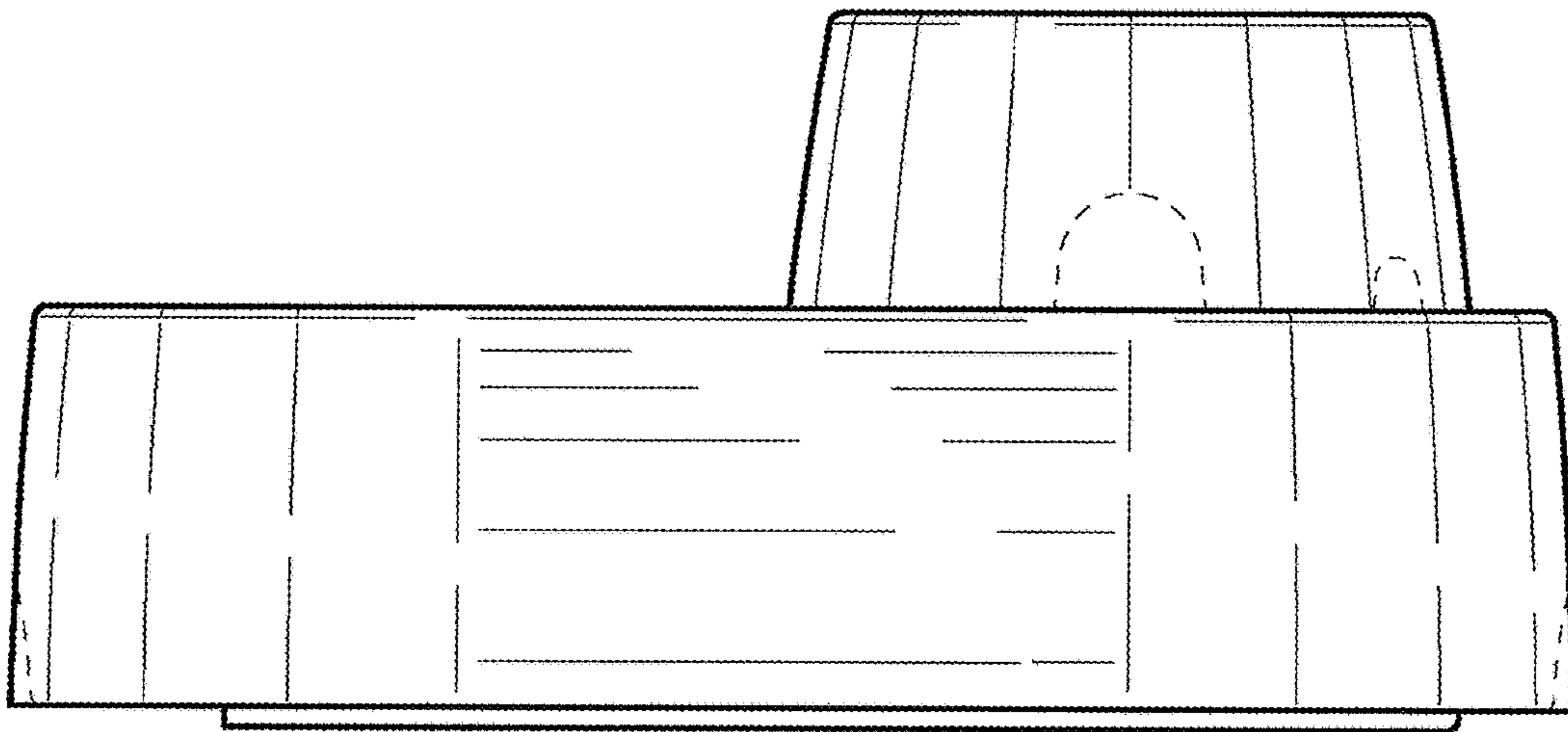


FIG. 2

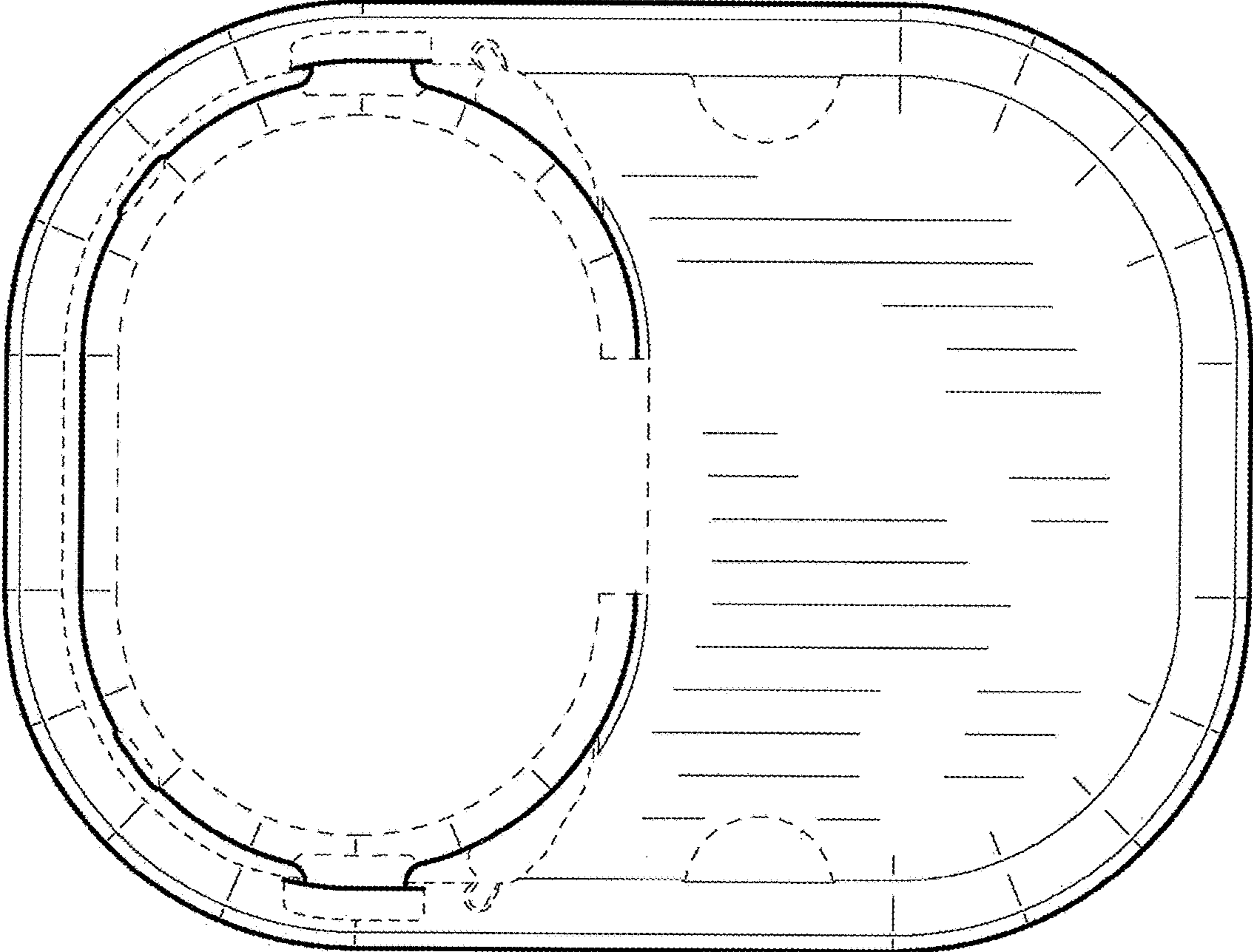


FIG. 3

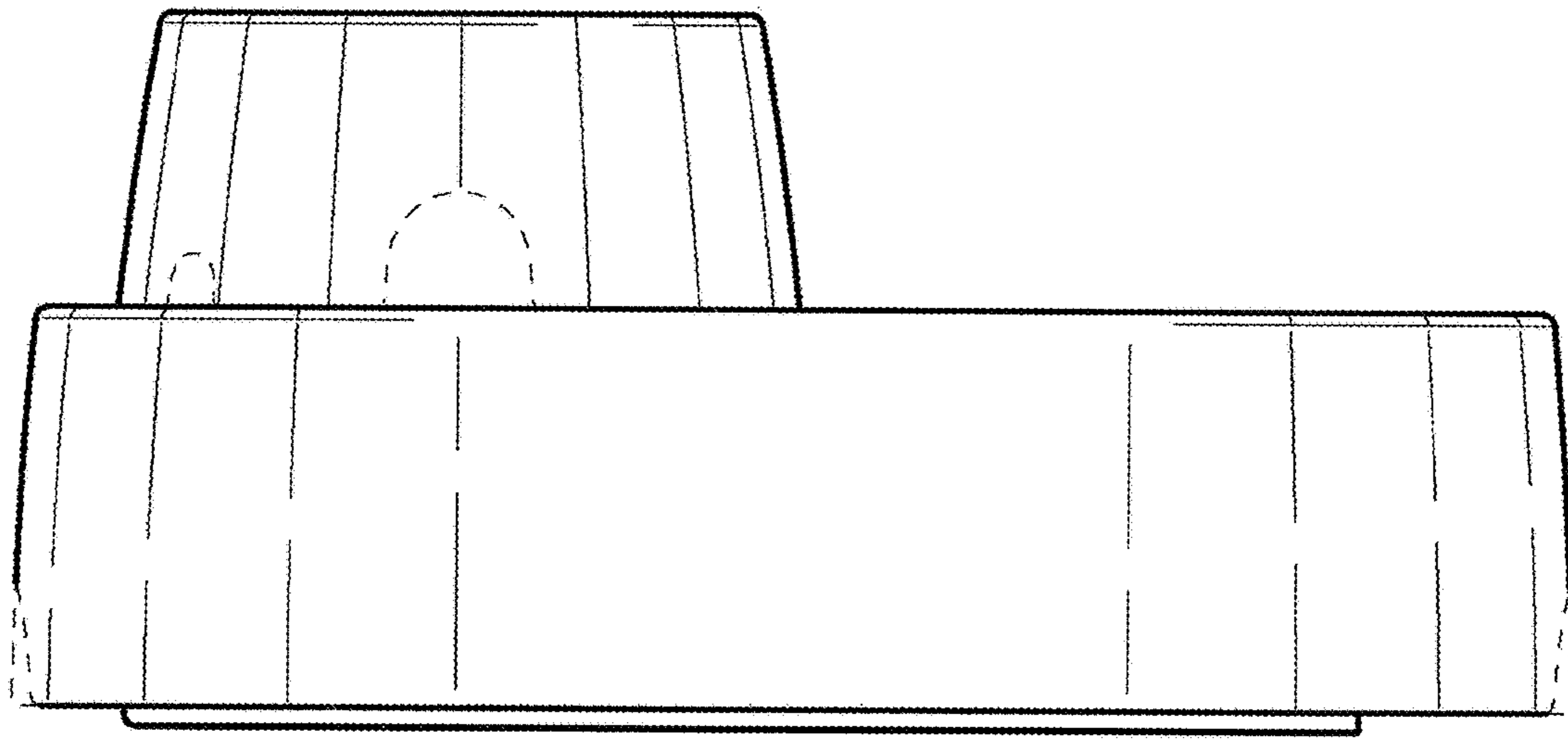


FIG. 4

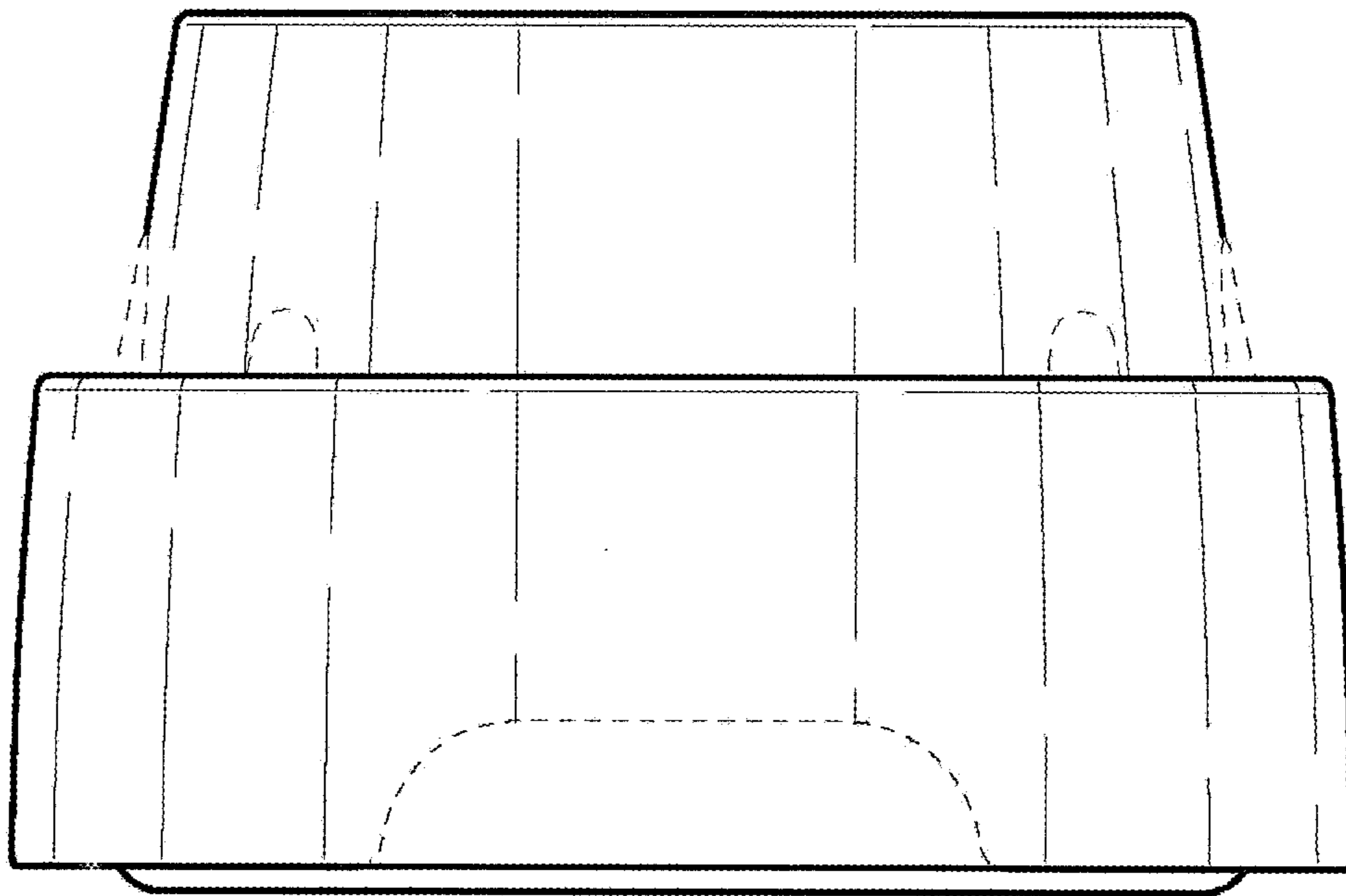


FIG. 5

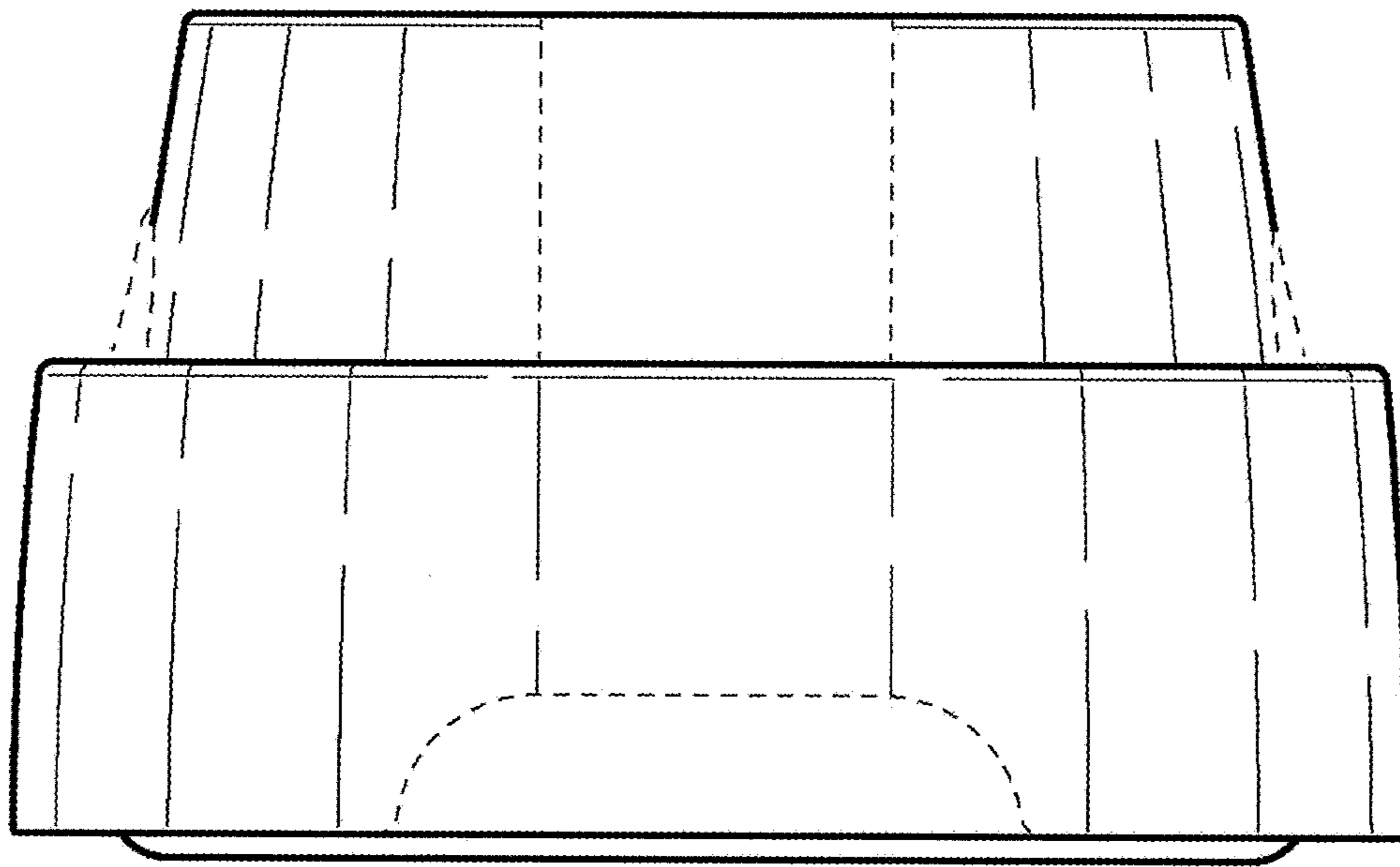


FIG. 6

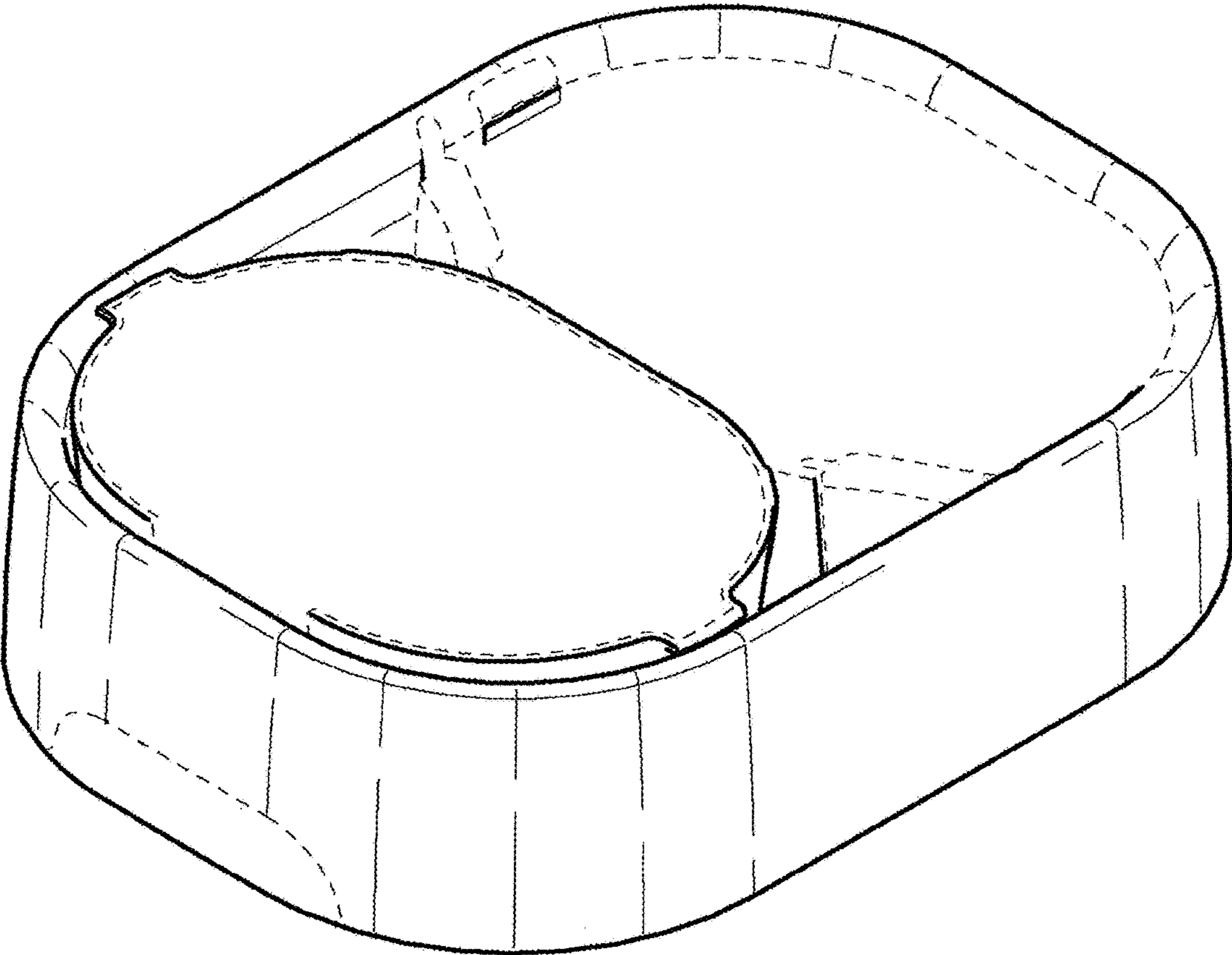


FIG. 7

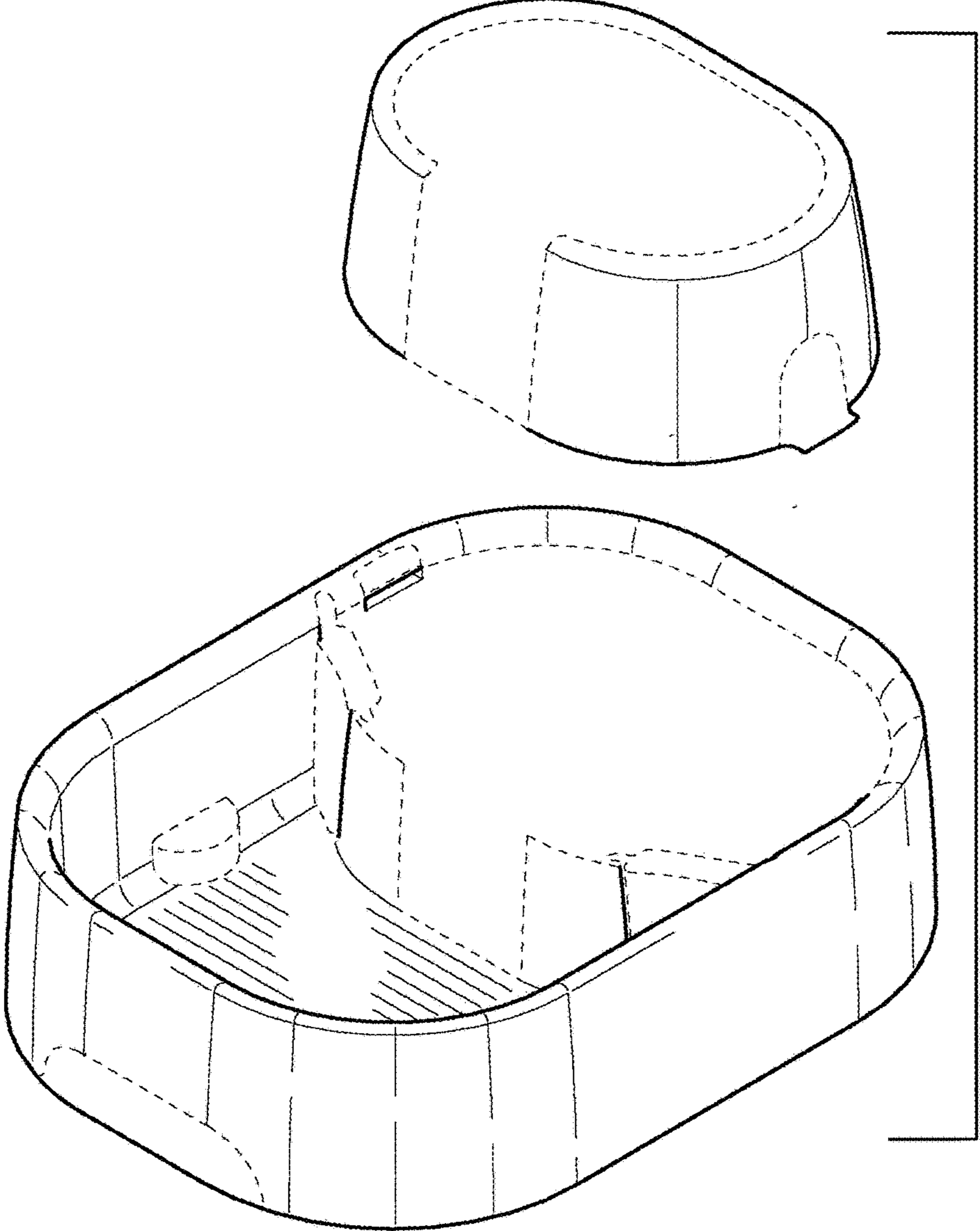


FIG. 8