



US00D801594S

(12) **United States Design Patent**  
**Hicks**

(10) **Patent No.:** **US D801,594 S**  
(45) **Date of Patent:** **\*\* Oct. 31, 2017**

(54) **WATER TROUGH**

(71) Applicant: **HERDX, INC.**, San Antonio, TX (US)

(72) Inventor: **Ronald B Hicks**, Boerne, TX (US)

(\*\*) Term: **15 Years**

(21) Appl. No.: **29/571,953**

(22) Filed: **Jul. 22, 2016**

(51) **LOC (10) Cl.** ..... **30-03**

(52) **U.S. Cl.**  
USPC ..... **D30/131; D30/132; D30/121**

(58) **Field of Classification Search**  
USPC ..... D30/133, 121, 122, 124, 127, 128, 132, D30/129-131; 119/51.01, 61, 51.04, 53, 119/57.91, 54, 53.5, 52.4, 51.11, 63, 61.2, 119/52.1, 57.5, 57.6, 51.13, 62, 75, 500, 119/501, 73, 74, 51.12, 51.5, 52.2, 61.1, 119/60, 58, 59, 77, 81, 76, 78; 239/7, 239/687, 379, 397.5; 222/199, 181.1, 222/181.2, 185.1, 557, 156, 485, 486, 222/548, 555; 220/200, 227, 247, 262, 220/697-702; 221/174, 185.1, 289, 295, 221/296, 559; 454/35; 209/270, 283, 209/244; 52/194, 192; 49/279, 344, 357; D34/28; D7/409, 601; 211/181.1; 414/24.5; D32/53.1; 15/260, 262, 264, 15/257.01, 257.05, 257.06; 118/419; D9/424, 429

CPC ..... A01K 7/00; A01K 7/025; A01K 7/005; A01K 7/02; A01K 7/022; A01K 7/027; A01K 7/04

See application file for complete search history.

968,613 A \* 8/1910 Van Ostrand ..... A01K 7/00  
119/72

1,139,132 A \* 5/1915 Maynard ..... A01K 7/06  
119/76

1,491,225 A \* 4/1924 Dobson ..... A01K 7/00  
119/61.1

1,522,004 A \* 1/1925 Fink ..... A01K 7/04  
119/73

1,560,088 A \* 11/1925 Marquardt ..... A01K 7/00  
119/73

1,560,263 A \* 11/1925 Leder ..... A01K 5/01  
119/61.1

1,574,756 A \* 3/1926 Peterson ..... A01K 7/04  
119/73

1,644,660 A \* 10/1927 Arkfeld ..... A01K 7/04  
119/73

1,721,805 A \* 7/1929 Cormier ..... A01K 7/025  
166/69

(Continued)

*Primary Examiner* — Susan Moon Lee  
(74) *Attorney, Agent, or Firm* — Jackson Walker, LLP

(57) **CLAIM**

I claim the ornamental design for a water trough, as shown and described.

**DESCRIPTION**

FIG. 1 is a top plan view of a water trough showing my design;  
 FIG. 2 is a left side elevational view thereof;  
 FIG. 3 is a right side elevational view thereof;  
 FIG. 4 is a front elevational view thereof;  
 FIG. 5 is a rear elevational view thereof;  
 FIG. 6 is a bottom plan view thereof;  
 FIG. 7 is a top, rear, right perspective view thereof;  
 FIG. 8 is a top, front, right perspective view thereof; and,  
 FIG. 9 is a cross-sectional view thereof taken along line 9-9 in FIG. 1, to better illustrate certain external aspects of the design.

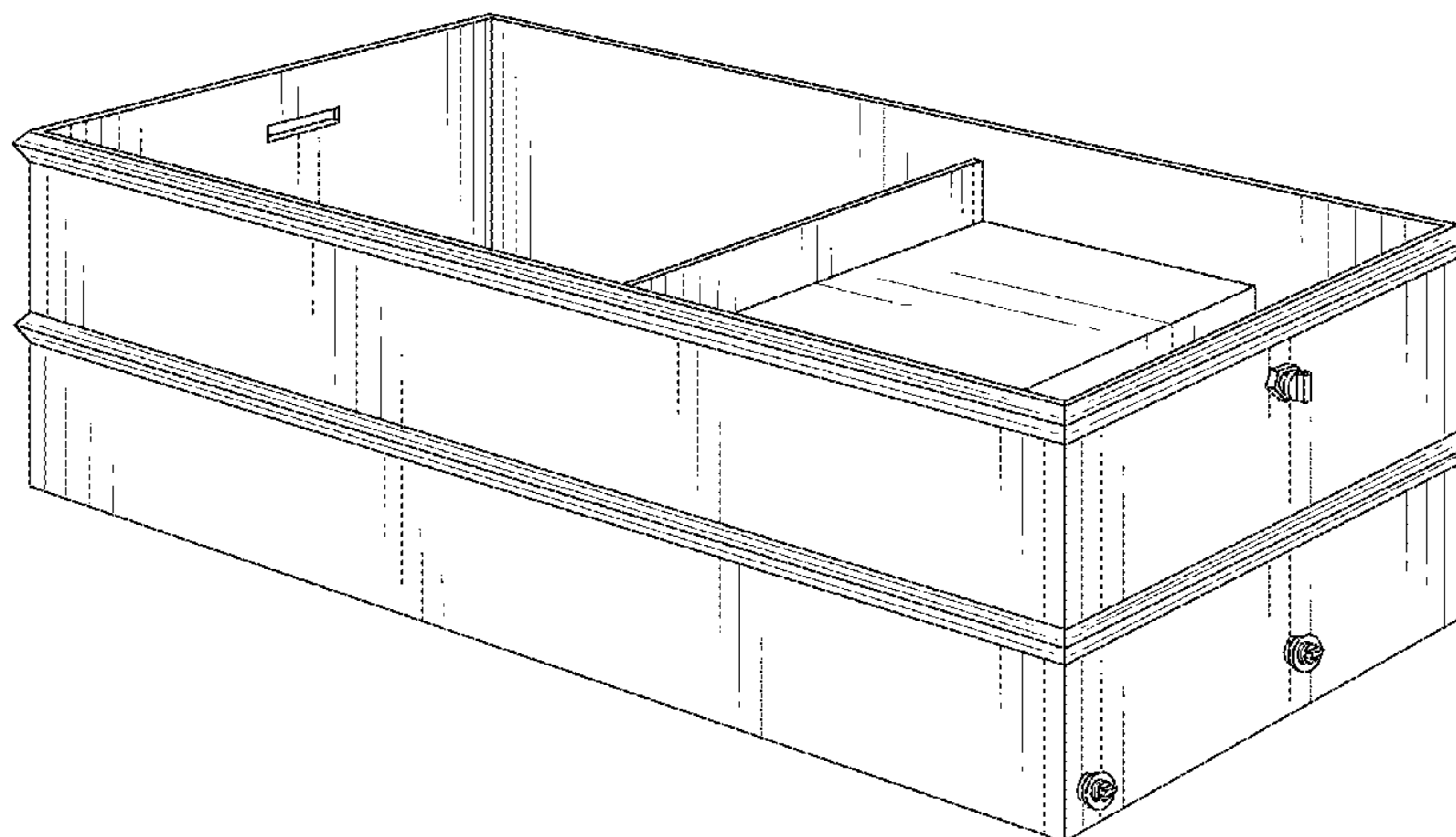
**1 Claim, 8 Drawing Sheets**

(56) **References Cited**

**U.S. PATENT DOCUMENTS**

330,088 A \* 11/1885 Boies ..... A01K 7/06  
119/62

346,702 A \* 8/1886 Barber ..... A01K 7/06  
119/76



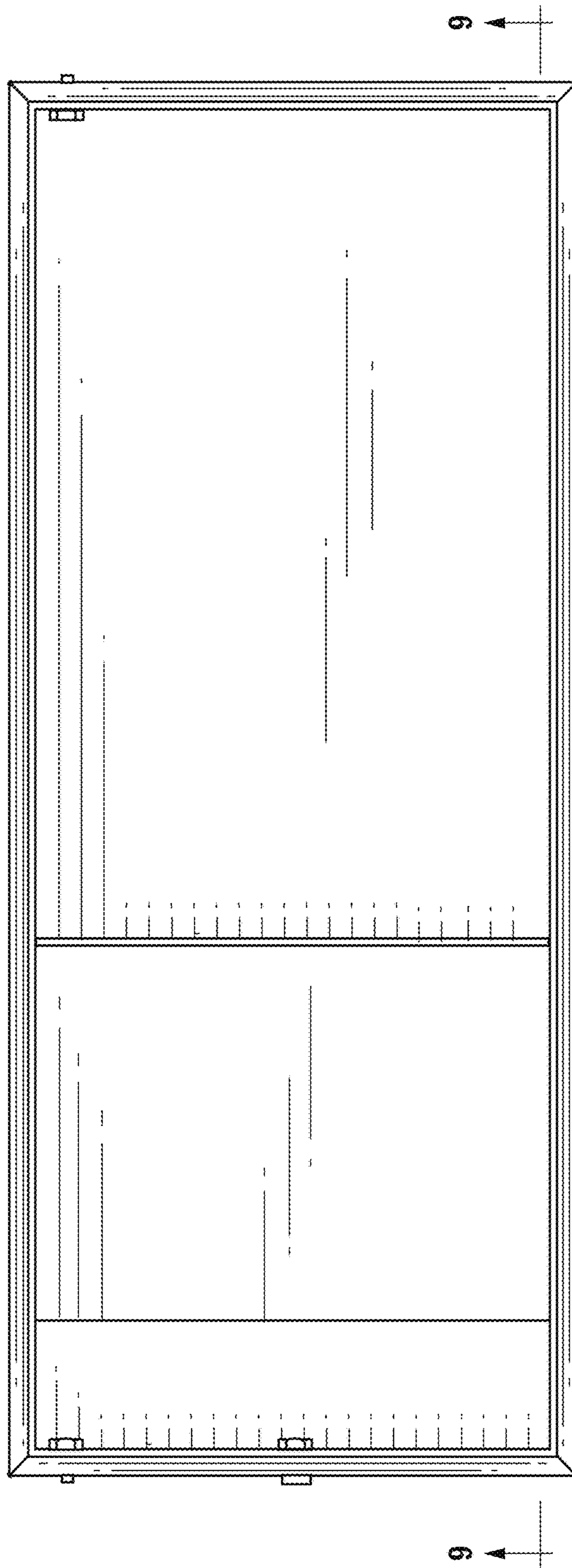
(56)

**References Cited**

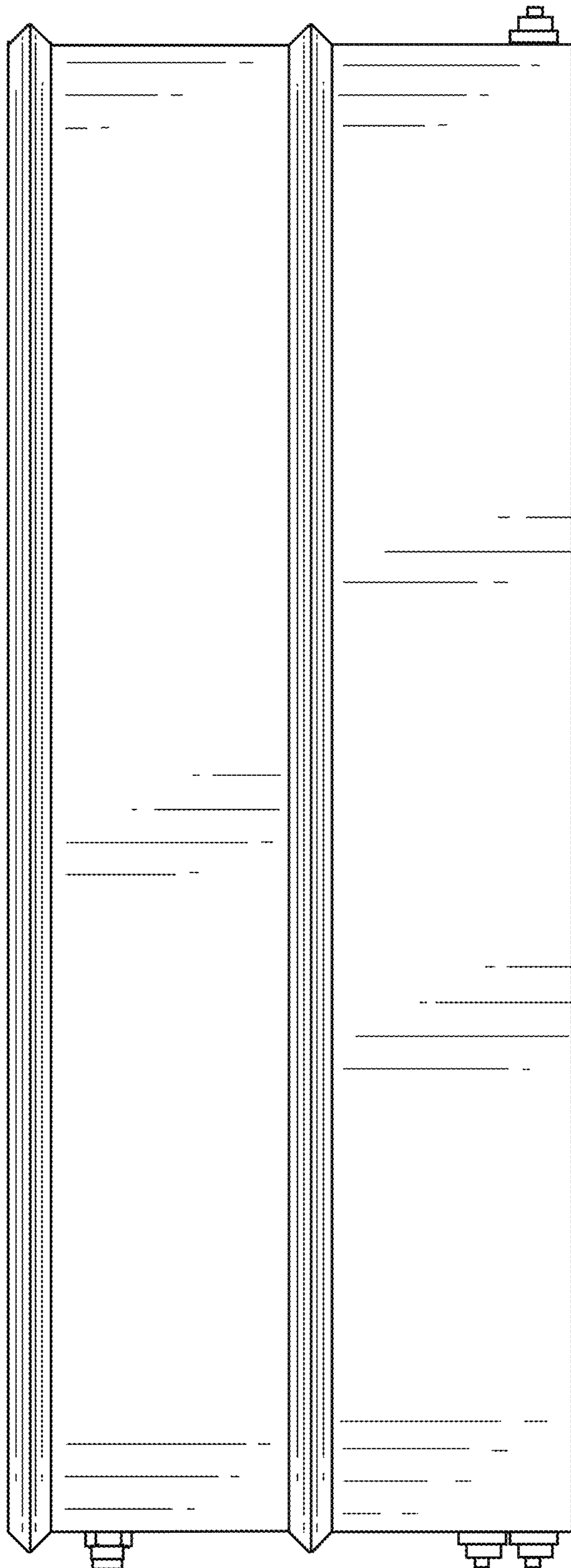
U.S. PATENT DOCUMENTS

1,782,075 A \* 11/1930 Ruskamp ..... A01K 7/025  
119/73  
1,782,350 A \* 11/1930 Hupp ..... A01K 7/025  
119/73  
2,133,388 A \* 10/1938 Henderson ..... A01K 7/025  
119/73  
D162,476 S \* 3/1951 Saunders et al. .... D30/131  
D219,227 S \* 11/1970 Cusenbary ..... D30/131  
4,138,967 A \* 2/1979 Tamborrino ..... A01K 7/04  
119/78  
4,306,664 A \* 12/1981 Bawden ..... A01K 7/025  
206/518  
4,883,022 A \* 11/1989 Barker ..... A01K 7/027  
119/73  
4,893,609 A \* 1/1990 Giordani ..... F23L 17/00  
122/18.4  
5,582,132 A \* 12/1996 Morton ..... A01K 7/04  
119/80  
D438,347 S \* 2/2001 Petersen ..... D30/121  
6,453,487 B1 \* 9/2002 Babington ..... E03C 1/18  
126/33  
7,100,599 B2 \* 9/2006 Babington ..... A47J 27/18  
126/376.1  
D677,019 S \* 2/2013 Cirincione ..... D30/130  
8,651,065 B1 \* 2/2014 Eash ..... A01K 7/027  
119/72  
2008/0257274 A1 \* 10/2008 Drouillard ..... A01K 7/00  
119/72  
2012/0181260 A1 \* 7/2012 Bertagnolli ..... E02B 15/02  
219/201  
2015/0150215 A1 \* 6/2015 Pumphrey ..... A01K 7/04  
119/73

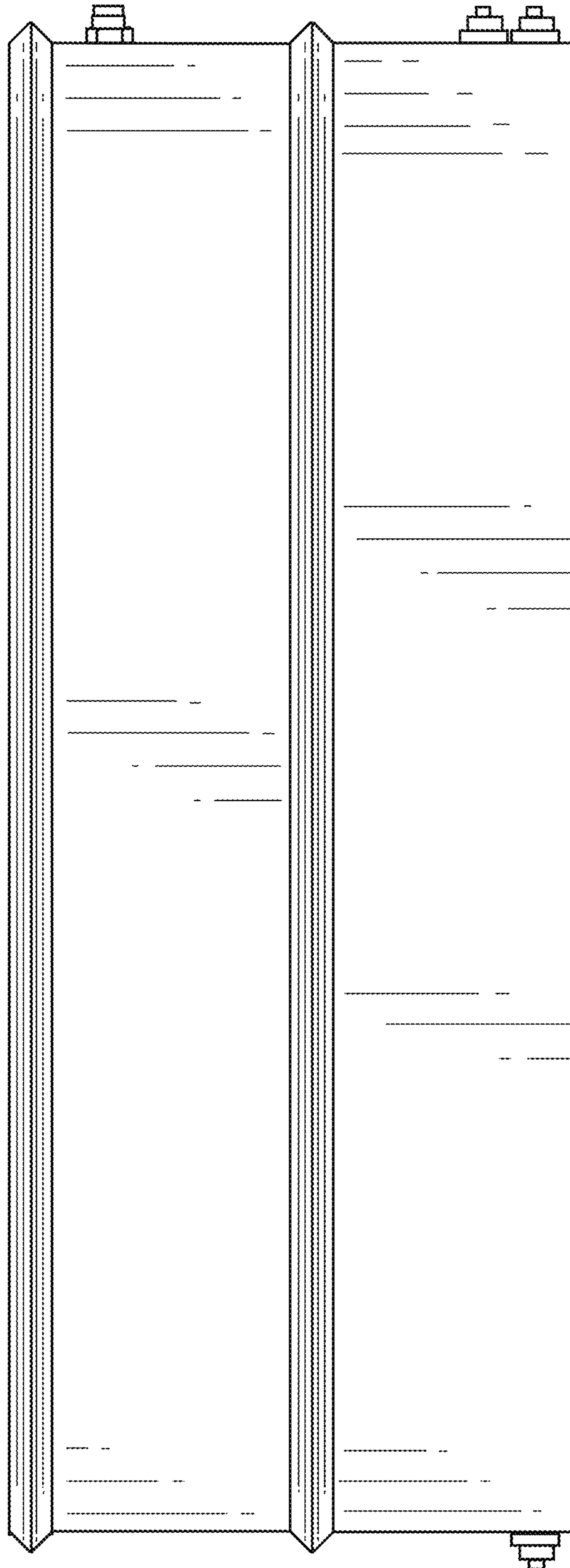
\* cited by examiner



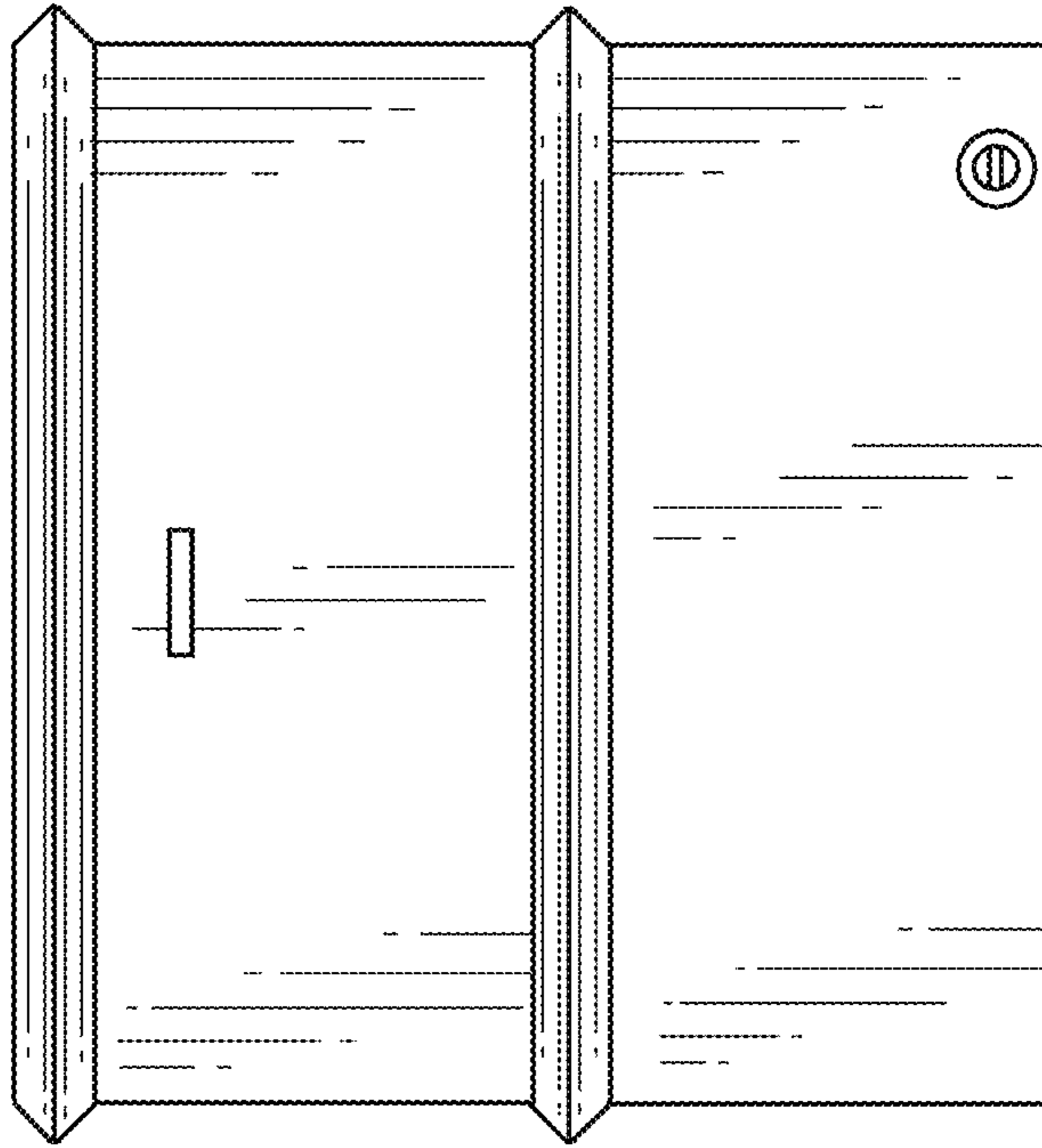
*Fig. 1*



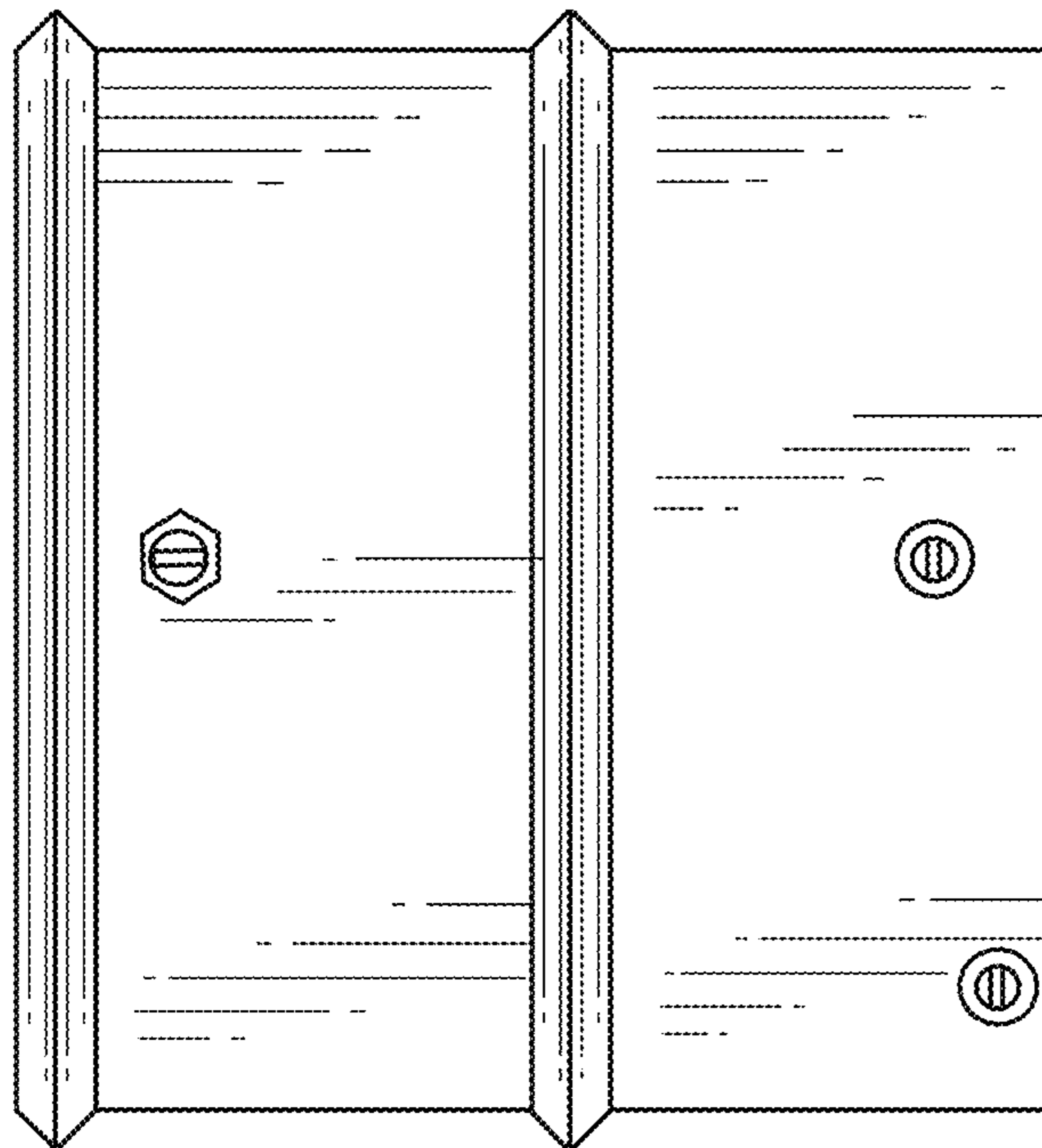
*Fig. 2*



*Fig. 3*



*Fig. 5*



*Fig. 4*

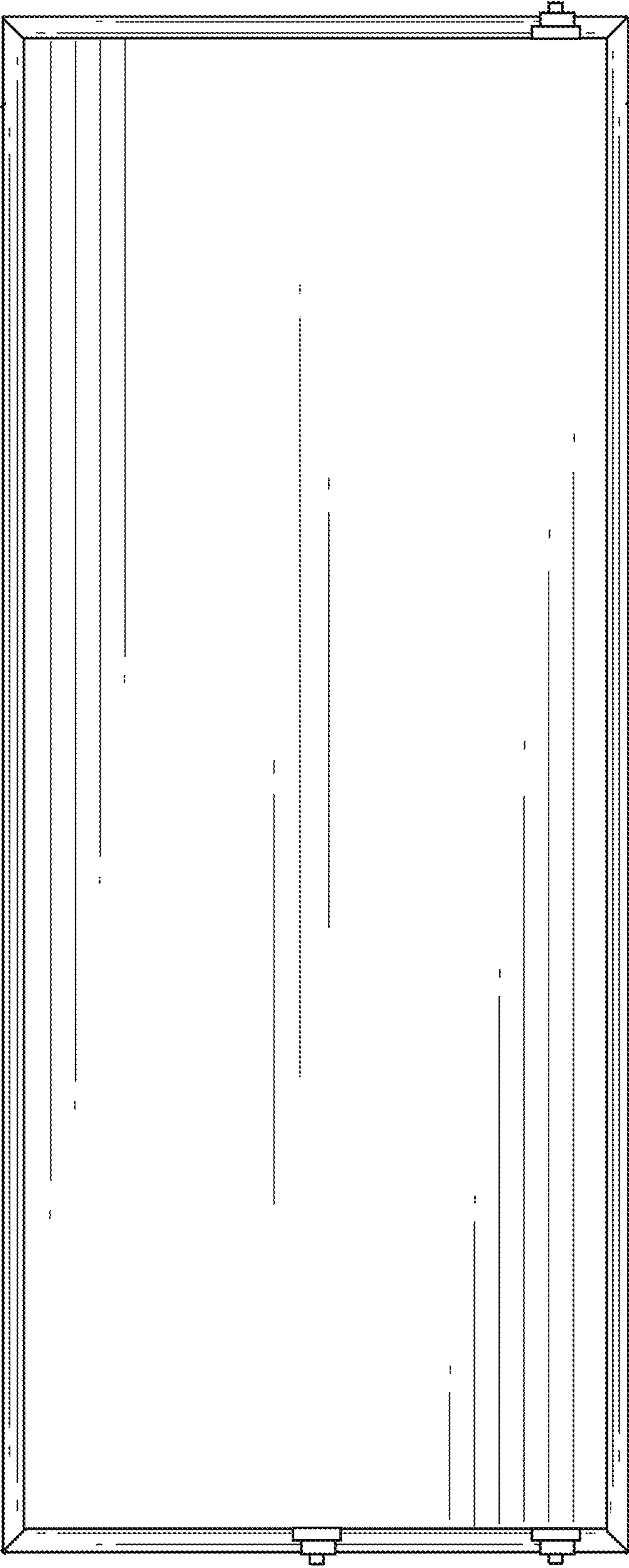
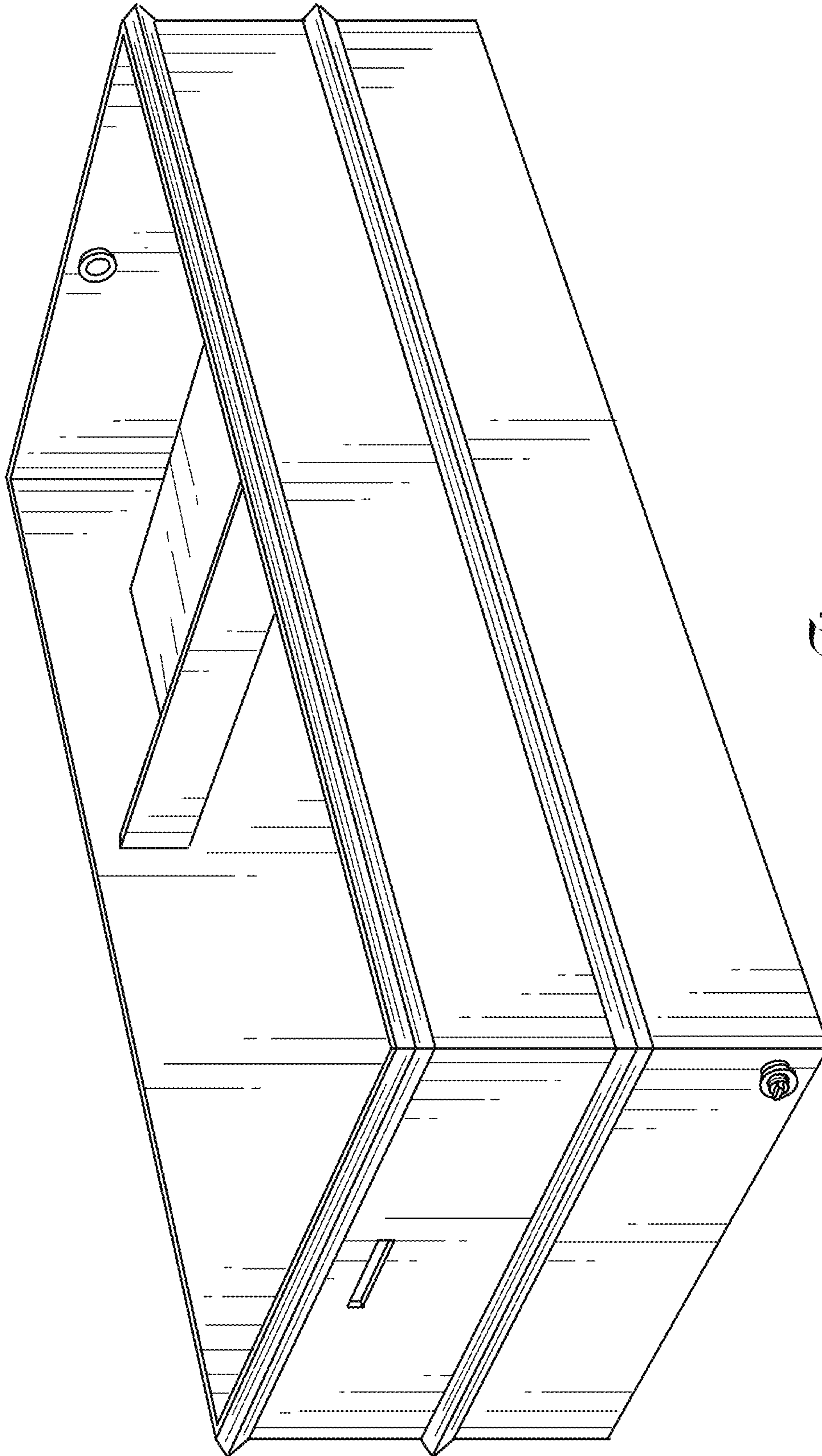


Fig. 6



*Fig. 7*



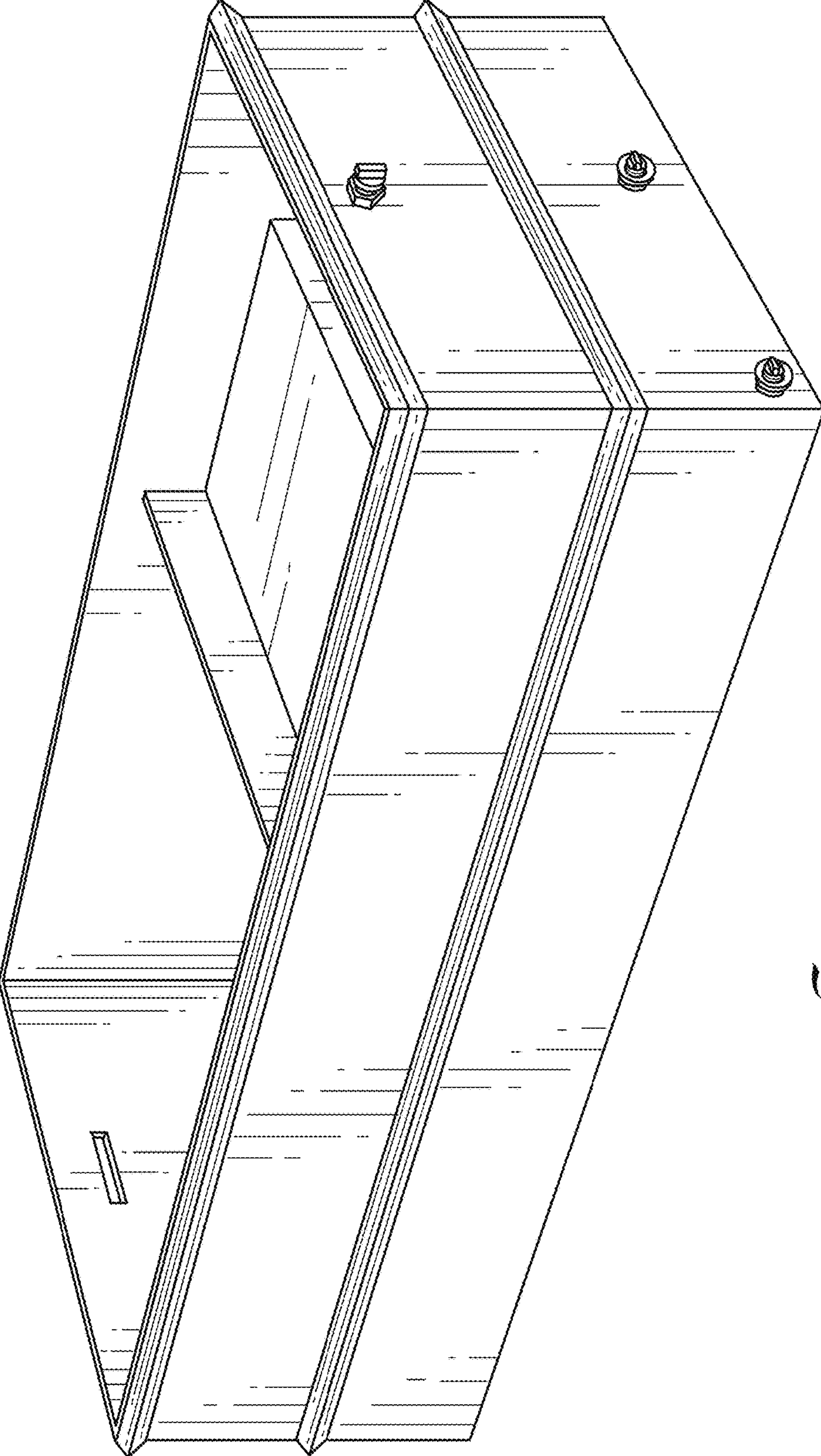
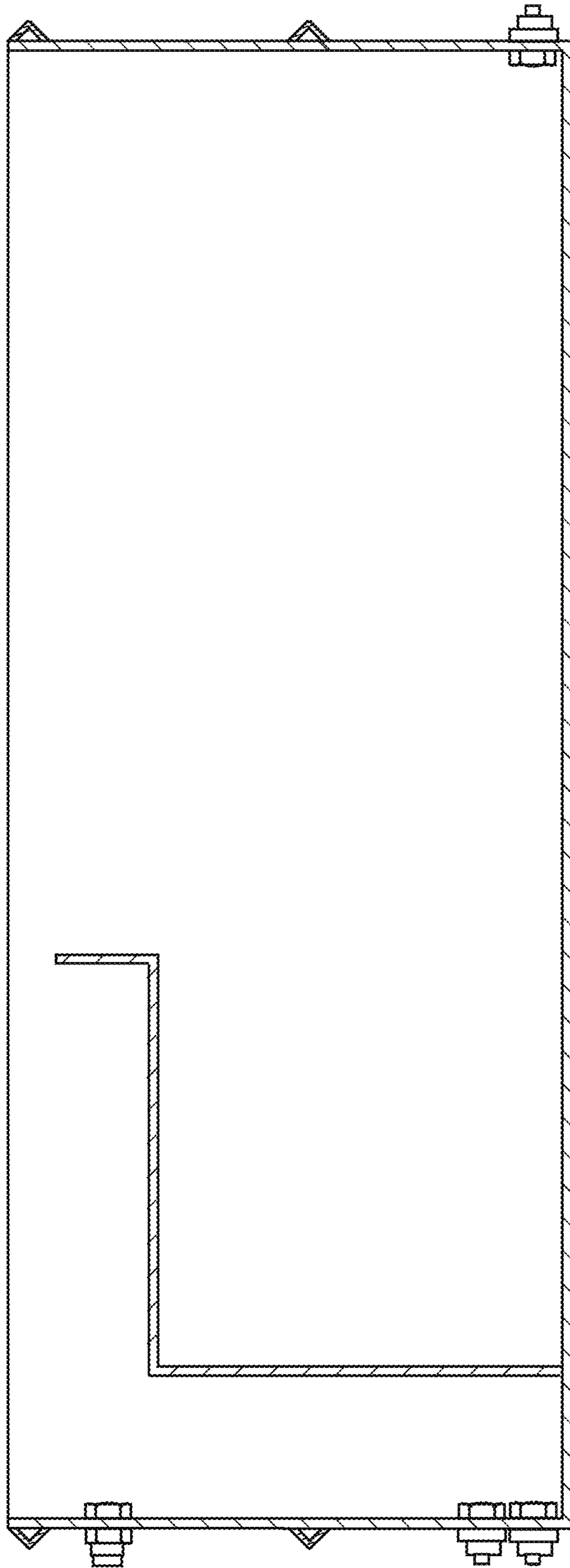


Fig. 8



*Fig. 9*