



US00D801593S

(12) **United States Design Patent** (10) **Patent No.:** **US D801,593 S**
Bales et al. (45) **Date of Patent:** **** Oct. 31, 2017**

(54) **PET FEEDING DEVICE**

99/DIG. 15; D21/656, 576, 406, 408,
D21/490; D1/124; 446/71-76, 81, 369,
446/268-270, 279, 280

(71) Applicant: **Feline Environmental Enrichment
Design Company, LLC**, Philadelphia,
PA (US)

CPC A01K 5/01-5/0142; A01K 5/02; A01K
5/0233; A01K 5/0241; A01K 5/025;
A01K 5/0275; A01K 5/0283; A01K
5/0291; A01K 15/00; A01K 15/02; A01K
15/025; A01K 15/026; A01K 15/021;
A01K 7/005; A63H 33/004; A63H
33/005; A63H 3/02; A63H 3/003; A63H
7/00; A63H 9/00; A63H 11/10; G09F
19/00

(72) Inventors: **Elizabeth B. Bales**, Philadelphia, PA
(US); **Steven Krupnick**, Philadelphia,
PA (US); **David Krupnick**,
Philadelphia, PA (US); **Susan Ann
Lohr**, Philadelphia, PA (US); **Phebe
Kearney-Scott**, Sewell, NJ (US)

See application file for complete search history.

(73) Assignee: **FELINE ENVIRONMENTAL
ENRICHMENT DESIGN
CORPORATION**, Wilmington, DE
(US)

(56)

References Cited

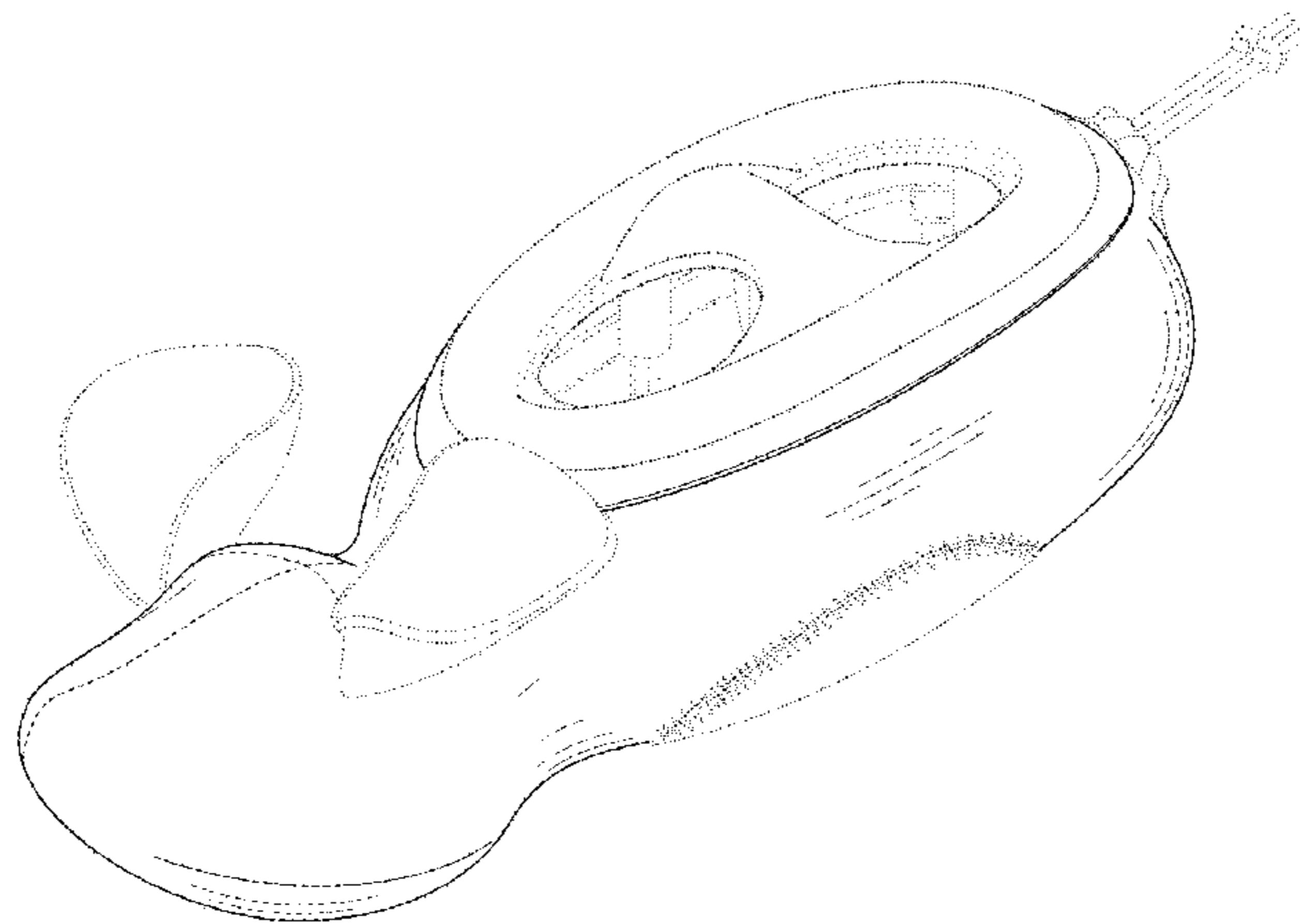
U.S. PATENT DOCUMENTS

(**) Term: **15 Years**
(21) Appl. No.: **29/603,843**
(22) Filed: **May 12, 2017**

159,928 A	2/1875	Hotchkiss	
1,212,332 A	1/1917	Ensign et al.	
1,265,926 A	5/1918	Ludlam	
1,953,692 A	4/1934	Shoff	
D95,727 S *	5/1935	Askew	119/253
2,096,872 A *	10/1937	Baker	G09F 23/14 229/116.3
D159,744 S	8/1950	Low	
2,823,490 A *	2/1958	Griem	A63H 3/005 206/362.2
2,833,244 A	5/1958	Bohlman	
3,420,412 A *	1/1969	Greene	B65D 81/365 222/78
D235,787 S	7/1975	Gorman	
D242,989 S *	1/1977	Becker	D21/655
D253,666 S	12/1979	Saitoh	
4,257,408 A *	3/1981	Ramey	A63H 3/001 601/46
4,277,909 A	7/1981	Rainwater	
D278,646 S	4/1985	McCoy	
4,593,817 A *	6/1986	Ferrero	A45C 1/12 206/216
D287,985 S	1/1987	Lin	
D289,189 S	4/1987	Kilgore	
D291,203 S	8/1987	Silver	
4,694,829 A *	9/1987	Frye	A61F 7/02 383/901
4,816,000 A *	3/1989	Hsu	A63H 3/005 206/457
D301,905 S	6/1989	Havelock	
D306,832 S *	3/1990	Horne	D21/588
D314,593 S	2/1991	Crist	

Related U.S. Application Data

(63) Continuation of application No. 29/576,239, filed on
Sep. 1, 2016, now Pat. No. Des. 790,138.
(51) **LOC (10) Cl.** **30-03**
(52) **U.S. Cl.**
USPC **D30/121**
(58) **Field of Classification Search**
USPC D30/121, 160, 122, 129-133, 199;
119/701-711, 51.11, 51.13, 51.15, 61.5,
119/51.01, 61.56, 51.03, 59, 62, 63, 51.5,
119/57.8, 74, 61.54, 61.55, 61; 312/204;
248/151, 188; 108/156, 153.1-157;
220/23.87, 630, 737, 743, 9.4, 495.01,
220/574, 212, 255, 23.83, 575; 206/515;
D7/586, 543, 550.1, 587, 505, 584, 545,
D7/500, 553.1-553.8, 546, 555, 556, 504,
D7/565, 562, 602, 507, 549, 558, 552.2,
D7/560, 566, 548, 681, 578, 588, 568;
D9/609, 643; 43/109; D22/122; 99/430,



US D801,593 S

Page 2

5,074,249	A	12/1991	McMahon		8,505,770	B2 *	8/2013	Askinasi	A01K 23/00 119/174
5,092,778	A *	3/1992	Shaver	A63F 9/0001 434/236	D692,002	S	10/2013	Wu	
D343,392	S	1/1994	Harden		D698,094	S	1/2014	Paculdo	
D344,568	S	2/1994	Byrd		D709,776	S	7/2014	Rosenfeld	
D358,180	S	5/1995	Gonzales		8,875,660	B2 *	11/2014	Grabois	A01K 63/003 119/247
D373,662	S	9/1996	Box		D721,212	S	1/2015	Paculdo	
5,632,377	A *	5/1997	Ferrero	A23G 3/50 206/457	D724,277	S	3/2015	Avalos Sartorio	
5,640,931	A *	6/1997	Markham	A01K 15/025 119/711	D724,796	S	3/2015	Diskin	
D384,749	S	10/1997	Gresty-Poole		D726,975	S	4/2015	Kim	
5,680,157	A	10/1997	Bidiville		9,063,587	B2	6/2015	Boldin	
D392,825	S *	3/1998	Markelonis	D6/518	9,119,377	B2	9/2015	Gratza	
5,800,238	A	9/1998	Cowley		D748,208	S	1/2016	Hornsby	
D401,347	S *	11/1998	Cosentino	D21/604	D756,703	S	5/2016	Kennedy	
5,979,843	A *	11/1999	Beck	A61J 9/0669 248/102	D765,799	S	9/2016	Lui	
D420,339	S	2/2000	Burke		9,635,837	B2 *	5/2017	Simon	A01K 15/026
D420,409	S	2/2000	Koenig		2001/0027754	A1	10/2001	Tsengas	
6,039,628	A	3/2000	Kusmiss		2003/0213440	A1	11/2003	Kelly	
6,089,947	A	7/2000	Green		2004/0237905	A1	12/2004	Tsengas	
D430,878	S	9/2000	Adler		2005/0022751	A1	2/2005	Nelson	
6,112,936	A *	9/2000	Arizmendi	B65D 83/0805 150/154	2005/0241595	A1	11/2005	Moulton	
6,119,850	A *	9/2000	Chen	A61L 9/12 206/0.5	2006/0292956	A1 *	12/2006	Sayles	A45C 1/12 446/8
D437,899	S	2/2001	Ritchey		2007/0234969	A1	10/2007	Lynch	
D438,865	S	3/2001	Smith		2008/0011242	A1 *	1/2008	Hirschberg	A01K 15/025 119/707
6,256,015	B1	7/2001	Adler		2008/0096459	A1 *	4/2008	Mingle	A61J 1/1462 446/74
6,350,169	B1	2/2002	Holt		2009/0255482	A1 *	10/2009	Santarsiero	A01K 15/025 119/707
6,371,053	B1	4/2002	Tsengas		2009/0272326	A1	11/2009	Bacon	
D459,771	S *	7/2002	Atkins	D21/658	2010/0064982	A1	3/2010	White	
D463,073	S *	9/2002	Van Vlake	D30/103	2010/0147229	A1	6/2010	DeFazio	
6,481,381	B2	11/2002	Ritchey		2010/0326369	A1	12/2010	Freeman	
6,641,094	B2 *	11/2003	Fishler	A61J 9/08 248/102	2011/0079183	A1 *	4/2011	Krotts	A01K 15/025 119/711
6,663,457	B2	12/2003	Ritchey		2013/0061815	A1 *	3/2013	Mobrem	A01K 15/025 119/707
6,688,305	B1 *	2/2004	Perry	A61M 11/00 128/202.16	2015/0013616	A1 *	1/2015	Tsengas	A01K 15/025 119/711
6,699,090	B1 *	3/2004	Vick	A61L 9/12 446/369					
D490,078	S	5/2004	Mak						
6,798,398	B2	9/2004	Smith						
D498,955	S *	11/2004	Edwards	D6/515					
6,824,112	B2 *	11/2004	Lange	A61J 9/0607 248/102					
6,827,317	B1 *	12/2004	Maki Risaliti	A63H 3/003 248/102					
D512,470	S	12/2005	Sikio						
D521,076	S	5/2006	Walker						
D533,318	S	12/2006	Renforth						
D535,068	S	1/2007	Renforth						
D535,791	S	1/2007	Renforth						
D536,488	S	2/2007	Renforth						
D544,929	S	6/2007	Crane						
7,246,574	B2	7/2007	Renforth						
D550,522	S	9/2007	Raia						
D555,300	S	11/2007	Tsengas						
D558,204	S	12/2007	Kim						
D569,052	S	5/2008	Lamstein						
D589,659	S	3/2009	Semler						
D595,717	S	7/2009	Mote						
D603,914	S	11/2009	Kelly						
D608,847	S *	1/2010	Ivanic	D21/661					
7,737,941	B2	6/2010	Pearcey						
D624,251	S	9/2010	Rutherford						
7,874,452	B2 *	1/2011	Karr	A47G 23/0216 220/737					
D644,792	S	9/2011	Lee						
D650,538	S	12/2011	Anderson						
D652,181	S	1/2012	Lee						
8,196,551	B1	6/2012	Tsengas						
8,240,273	B2	8/2012	Benson						
D676,517	S	2/2013	Cook						
D678,631	S	3/2013	Paculdo						
8,408,481	B1	4/2013	Priest						

OTHER PUBLICATIONS

Website: <http://www.caffooddispenserreviews.com/cat-treat-dispensers-toys-reviews/>; accessed Aug. 30, 2016; 7 pages.

* cited by examiner

Primary Examiner — Susan Moon Lee
(74) *Attorney, Agent, or Firm* — Morgan, Lewis & Bockius LLP

(57) CLAIM

The ornamental design for a pet feeding device, as shown and described.

DESCRIPTION

FIG. 1 is a front, left, top perspective view of a pet feeding device showing our new design;
FIG. 2 is a rear, right, bottom perspective view of the pet feeding device shown in FIG. 1;
FIG. 3 is a front elevational view of the pet feeding device shown in FIG. 1;
FIG. 4 is a rear elevational view of the pet feeding device shown in FIG. 1;
FIG. 5 is a left-side elevational view of the pet feeding device shown in FIG. 1;
FIG. 6 is a right-side elevational view of the pet feeding device shown in FIG. 1;

FIG. 7 is a top plan view of the pet feeding device shown in FIG. 1; and,

FIG. 8 is a bottom plan view of the pet feeding device shown in FIG. 1.

The broken lines shown in the drawings represent portions of the pet feeding device that form no part of the claimed design.

1 Claim, 7 Drawing Sheets

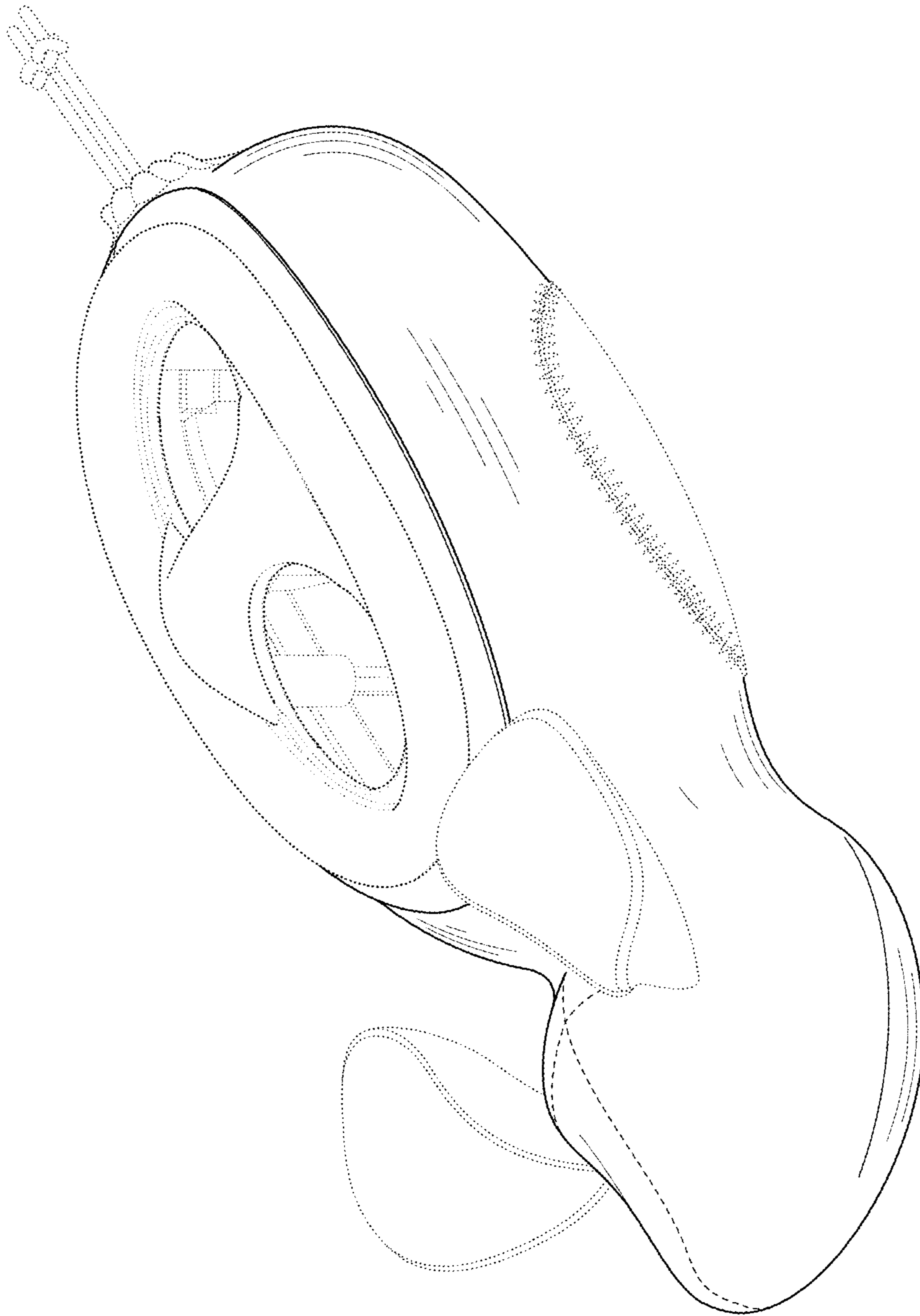


FIG. 1

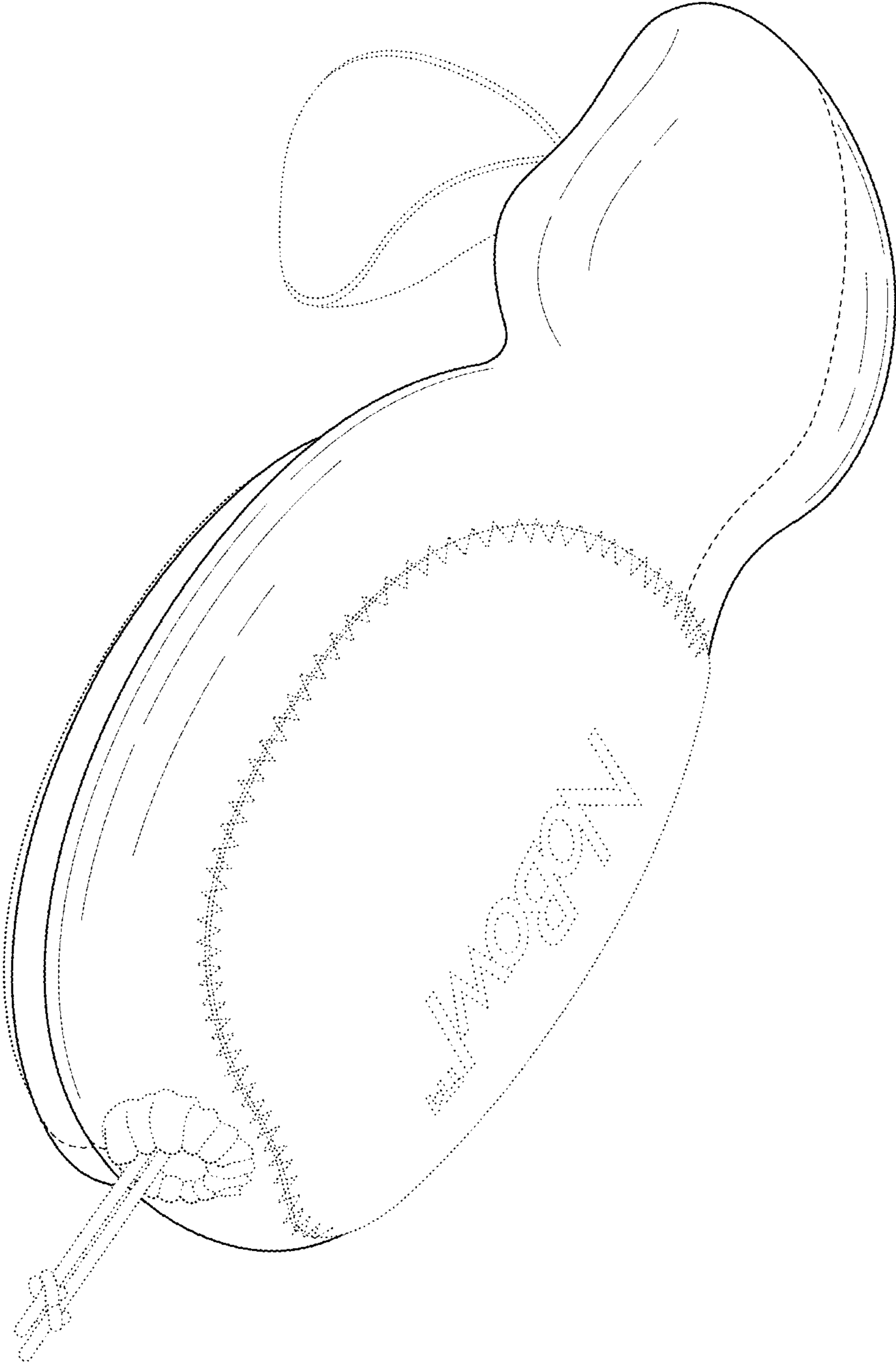


FIG. 2

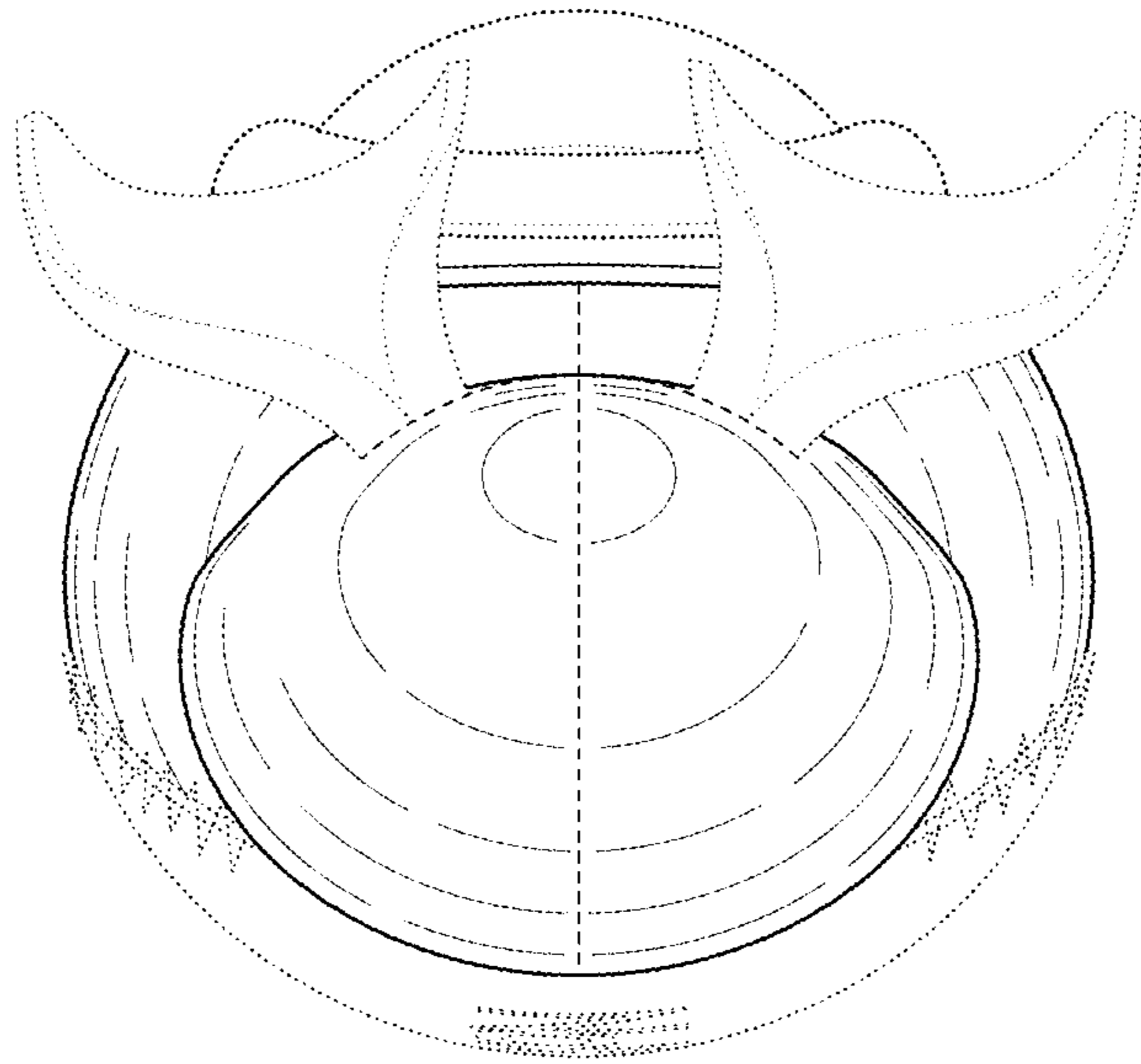


FIG. 3

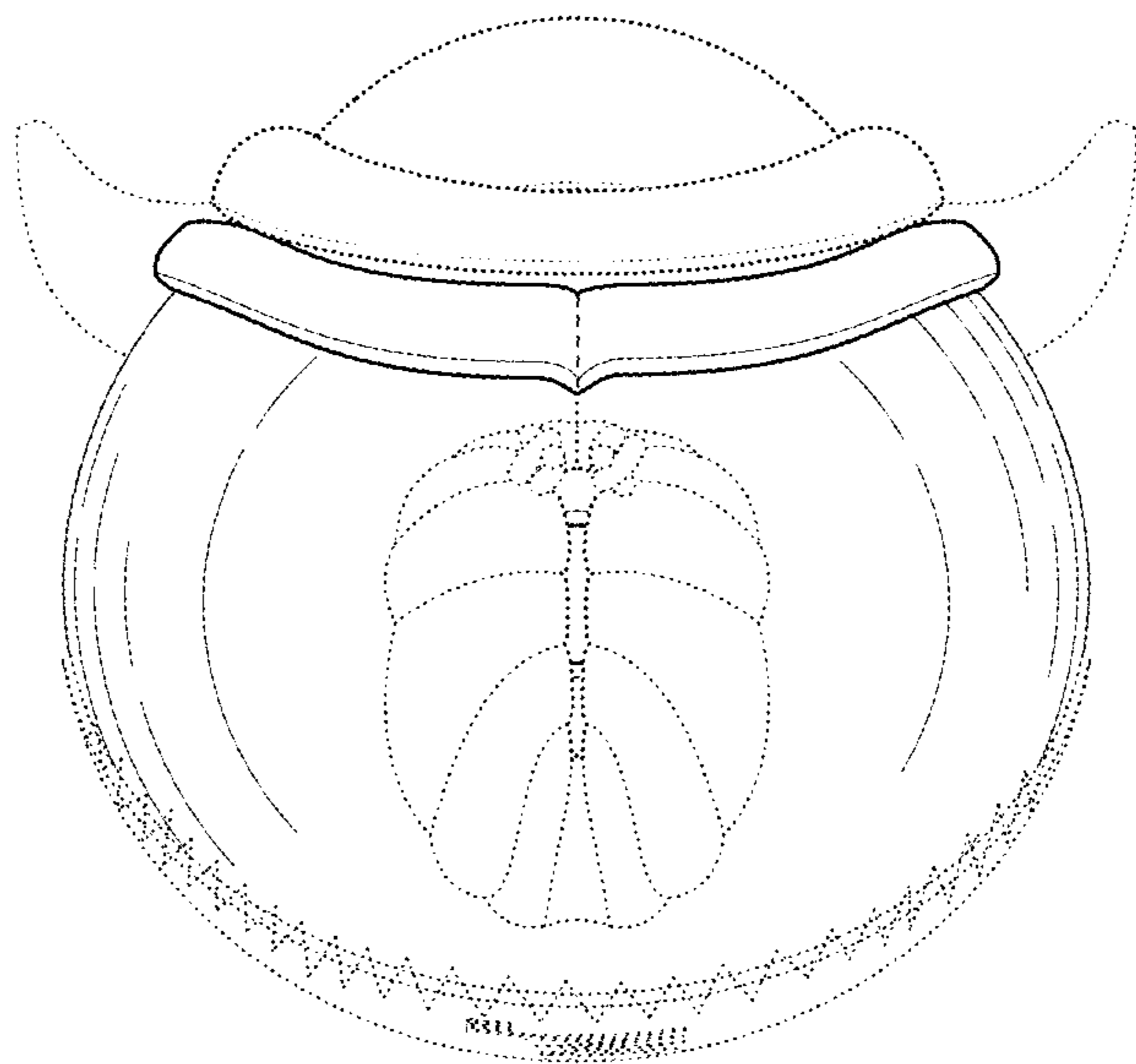


FIG. 4

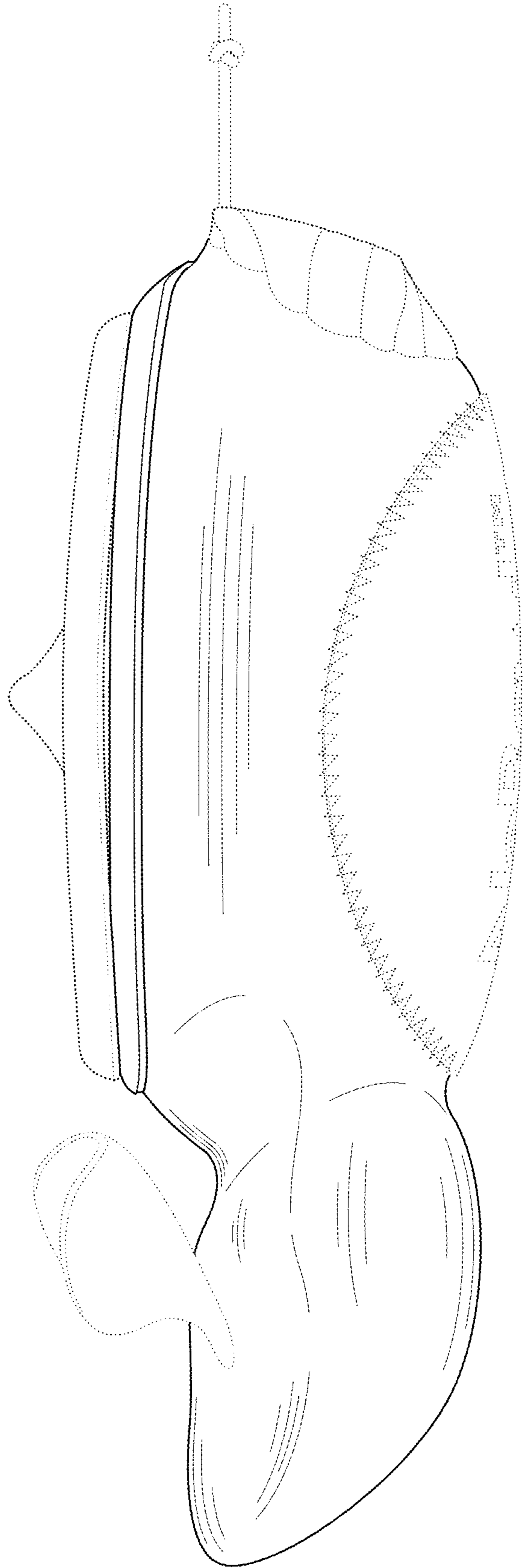


FIG. 5

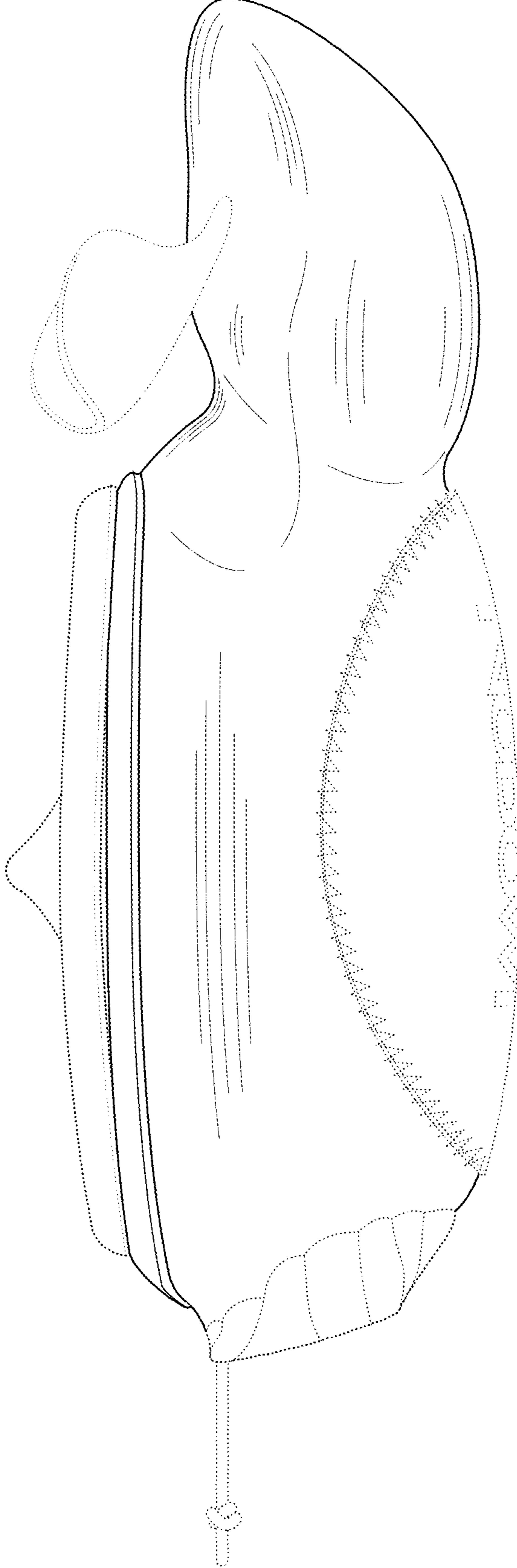


FIG. 6

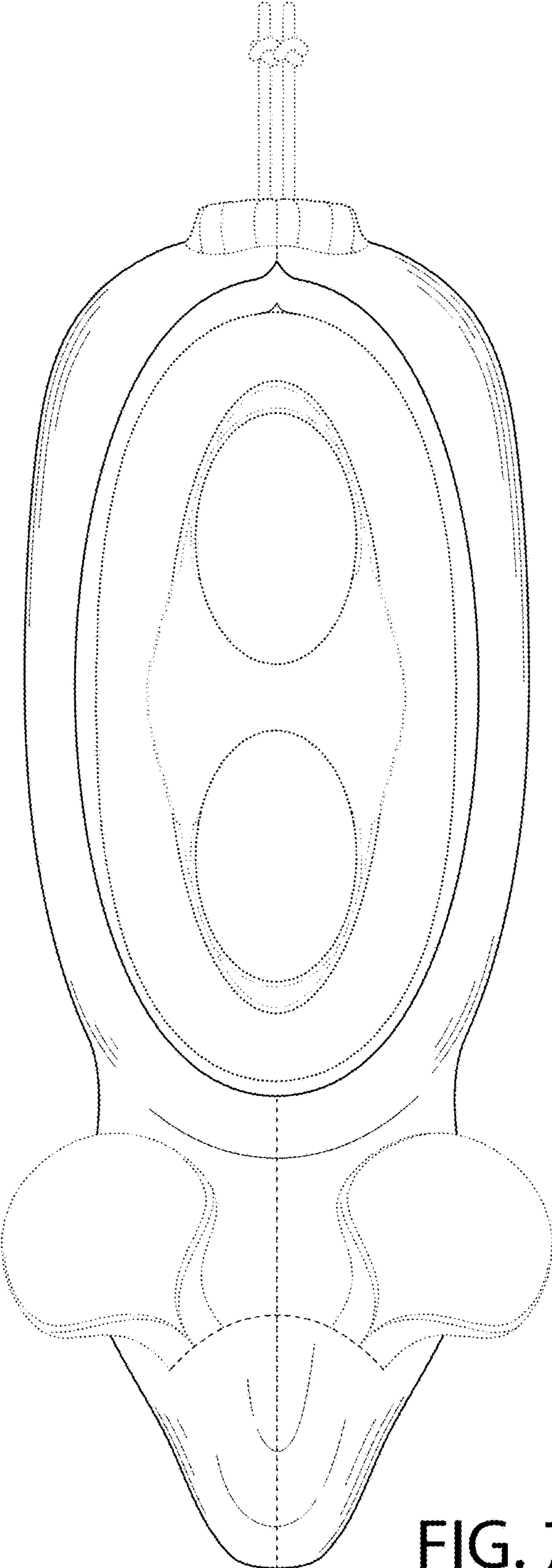


FIG. 7

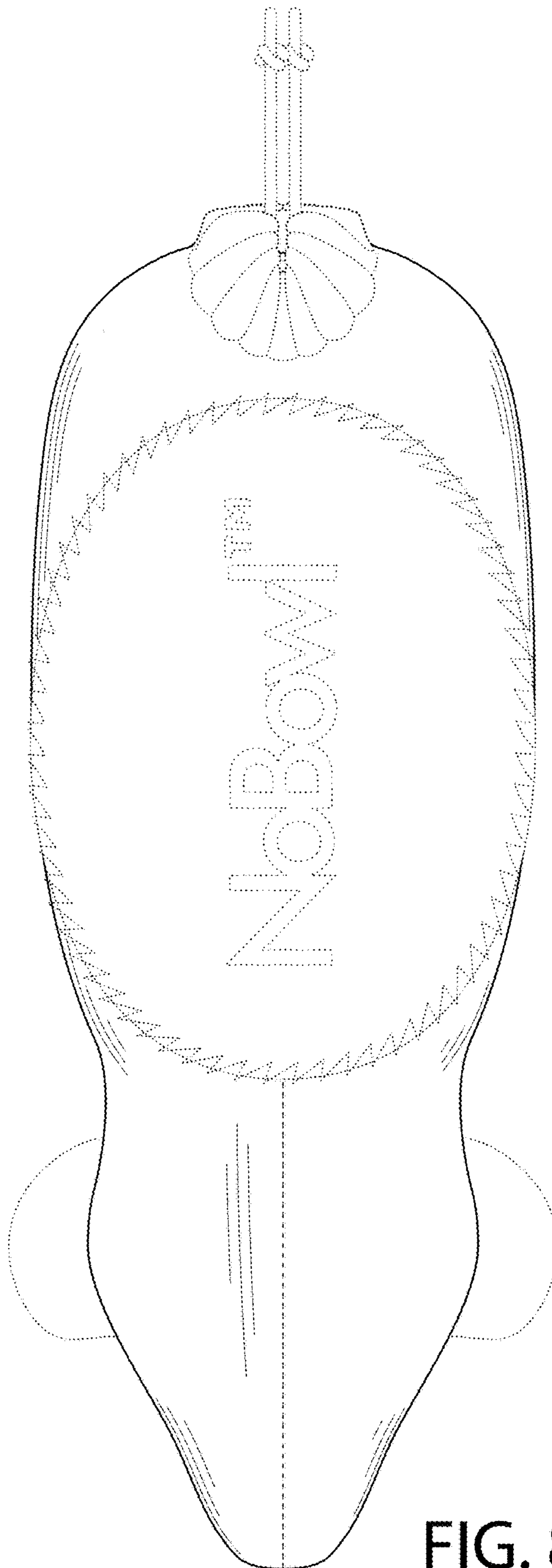


FIG. 8