



US00D801591S

(12) **United States Design Patent**
Mehdi et al.

(10) **Patent No.:** **US D801,591 S**

(45) **Date of Patent:** **** Oct. 31, 2017**

- (54) **WEDGE-SHAPED AQUARIUM**
- (71) Applicant: **Top Line Brand, LLC**, Cerritos, CA (US)
- (72) Inventors: **Sadiq Mehdi**, Long Beach, CA (US);
Neal Dulaney, Santa Cruz, CA (US);
Feng Yu, Cypress, CA (US)
- (73) Assignee: **Top Line Brands, LLC**, Cerritos, CA (US)
- (**) Term: **15 Years**
- (21) Appl. No.: **29/583,252**
- (22) Filed: **Nov. 3, 2016**
- (51) **LOC (10) Cl.** **30-02**
- (52) **U.S. Cl.**
USPC **D30/101**
- (58) **Field of Classification Search**
USPC D30/101-107; D11/145
CPC A01K 63/00; A01K 63/003; A01K 63/006;
A01K 63/02
See application file for complete search history.

(56) **References Cited**

U.S. PATENT DOCUMENTS

- 1,954,674 A * 4/1934 Lager A01G 9/24
D11/145
- 3,651,975 A * 3/1972 Callan A01K 63/003
119/269
- 4,176,620 A * 12/1979 Kassos A01K 63/003
119/246

- 5,445,112 A * 8/1995 Grosman A01K 63/006
119/246
- D397,522 S * 8/1998 Bishop D30/101
- 6,029,605 A * 2/2000 Licata A01K 63/003
119/246
- D572,413 S * 7/2008 Kilroy D30/104
- D580,108 S * 11/2008 Kilroy D30/104
- D616,610 S * 5/2010 Kilroy D30/104

* cited by examiner

Primary Examiner — Wan Laymon

(74) *Attorney, Agent, or Firm* — George W. Moxon, II;
Brian P. Harrod

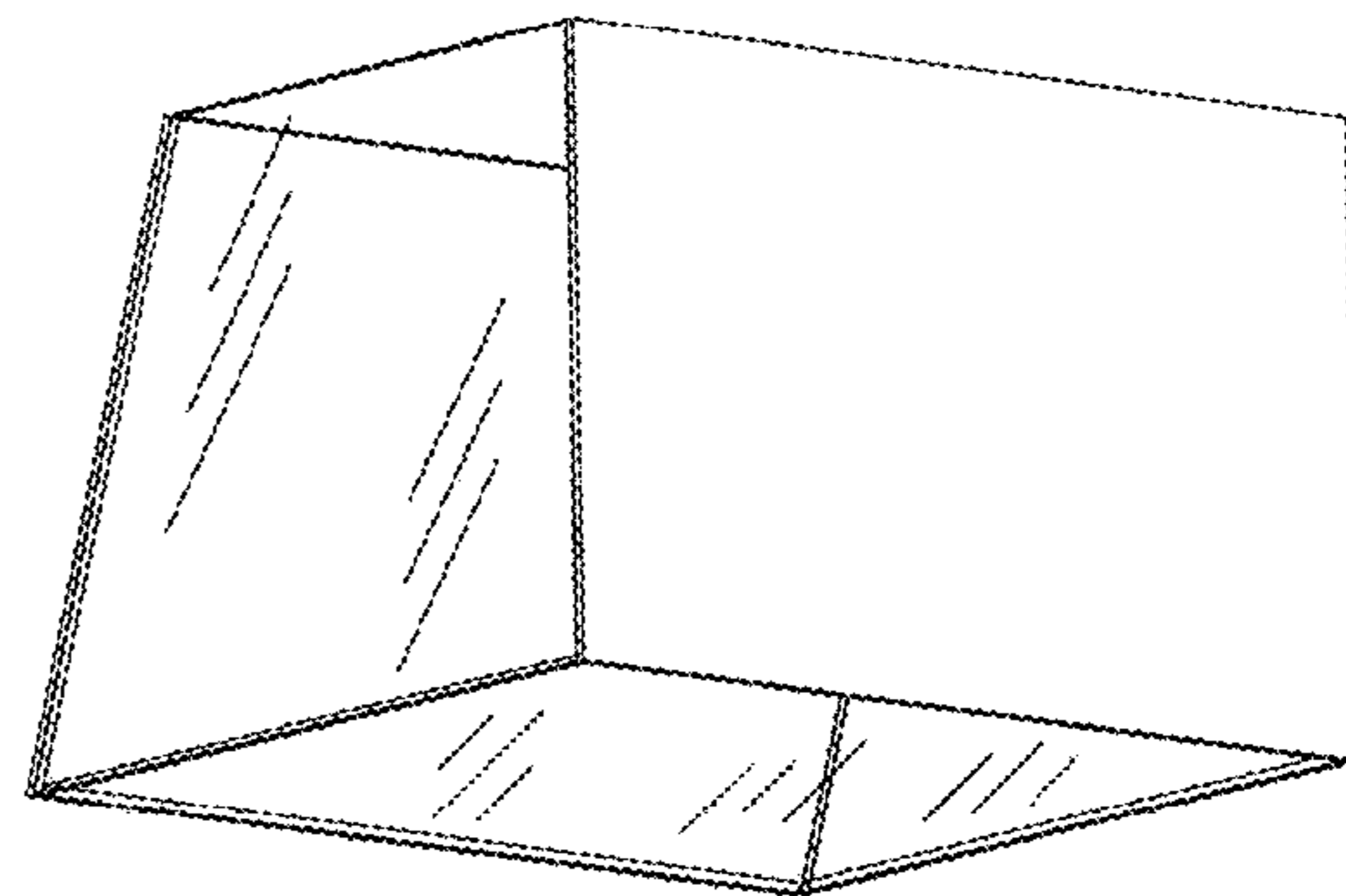
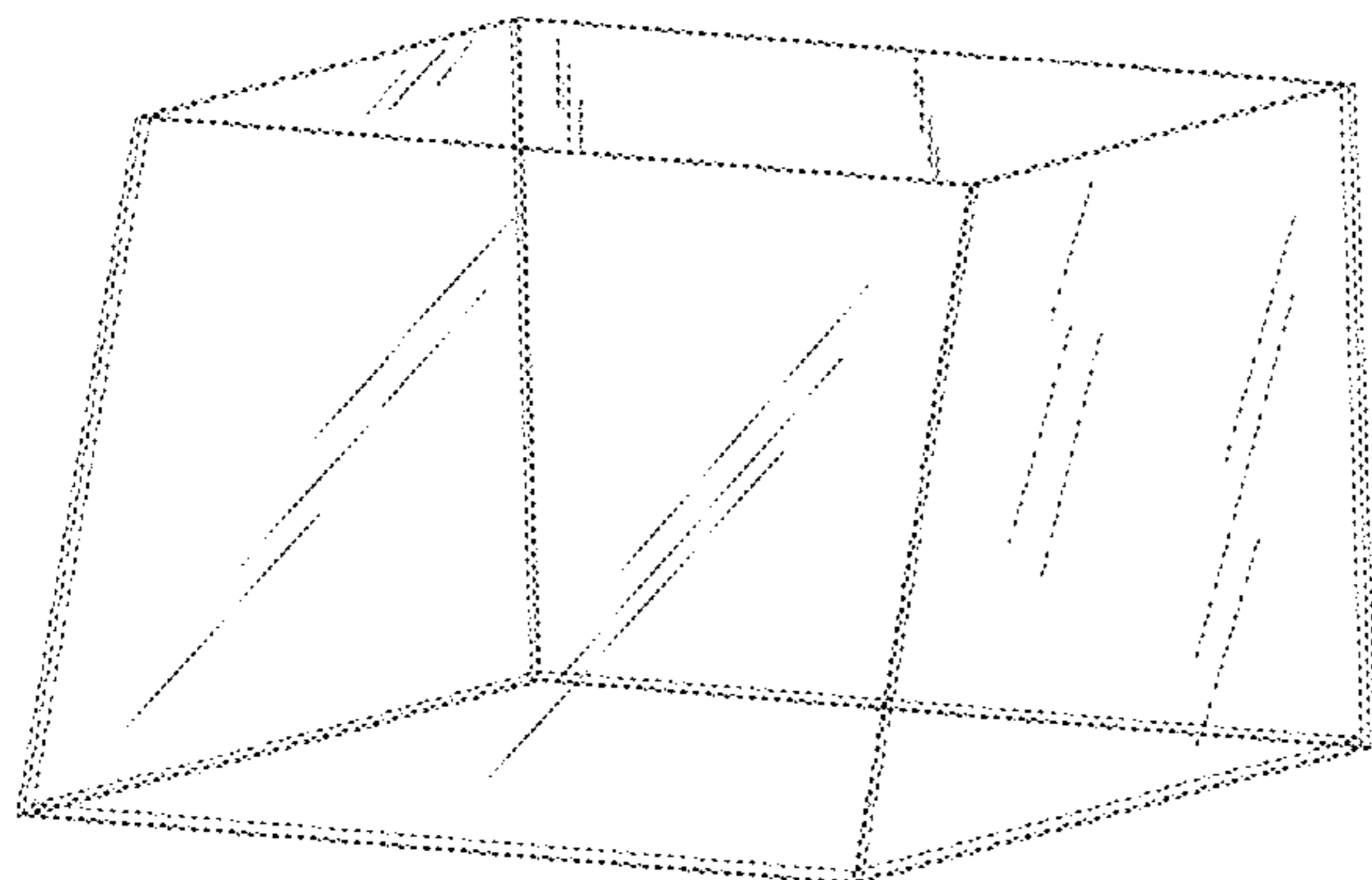
(57) **CLAIM**

The ornamental design for a wedge-shaped aquarium, as shown and described.

DESCRIPTION

FIG. 1 is a front view of a wedge-shaped aquarium showing our new design;
 FIG. 2 is a left side view thereof, the right side view is a mirror image of the left side;
 FIG. 3 is a top view thereof;
 FIG. 4 is a bottom view thereof;
 FIG. 5 is a rear view thereof;
 FIG. 6 is a perspective view from above thereof; and,
 FIG. 7 is a perspective view from below thereof.
 The front, sides, and bottom panels are transparent; the rear panel is opaque.
 The article is an wedge-shaped aquarium with an angled front panel.

1 Claim, 7 Drawing Sheets



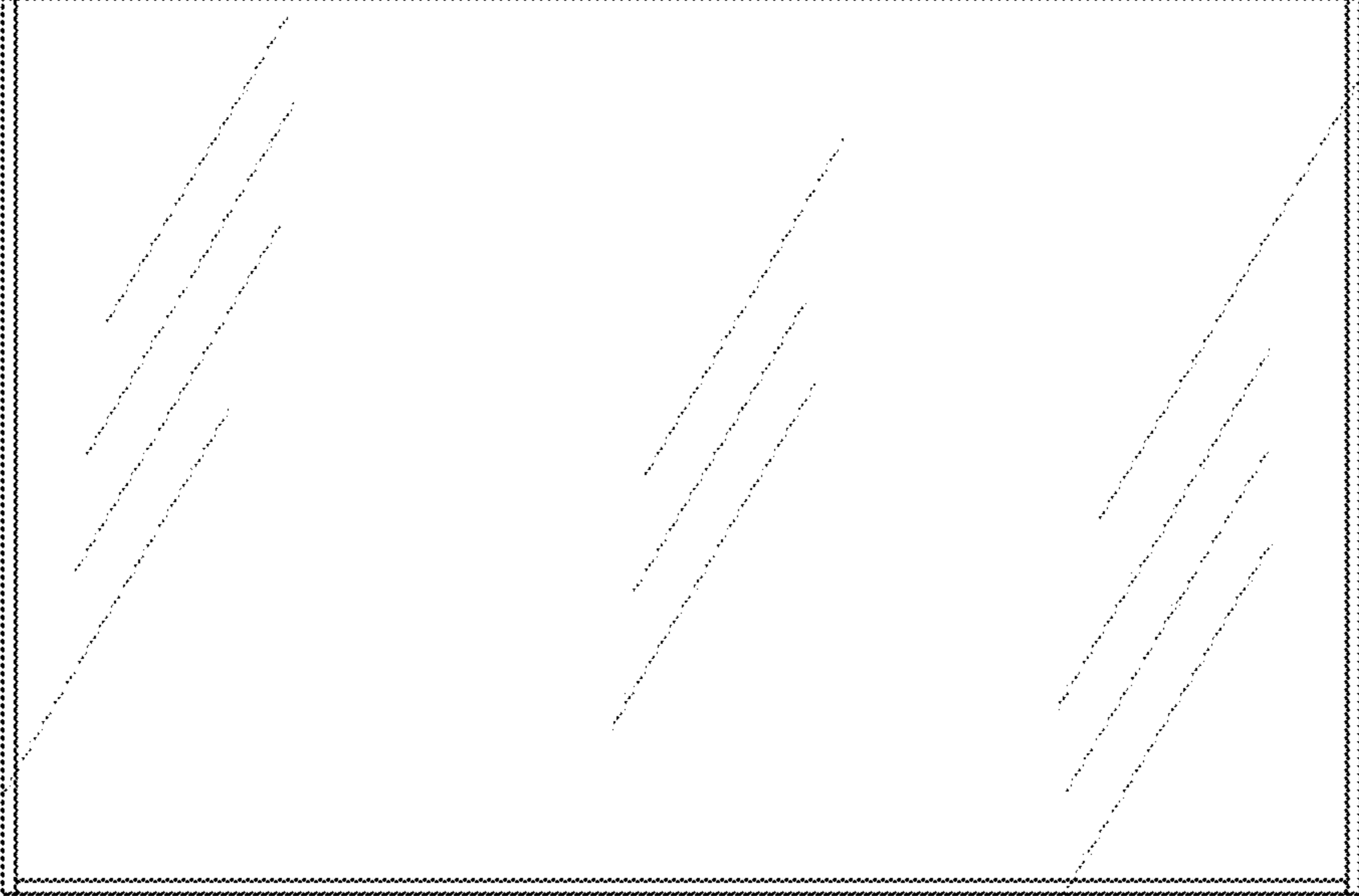


Fig. 1

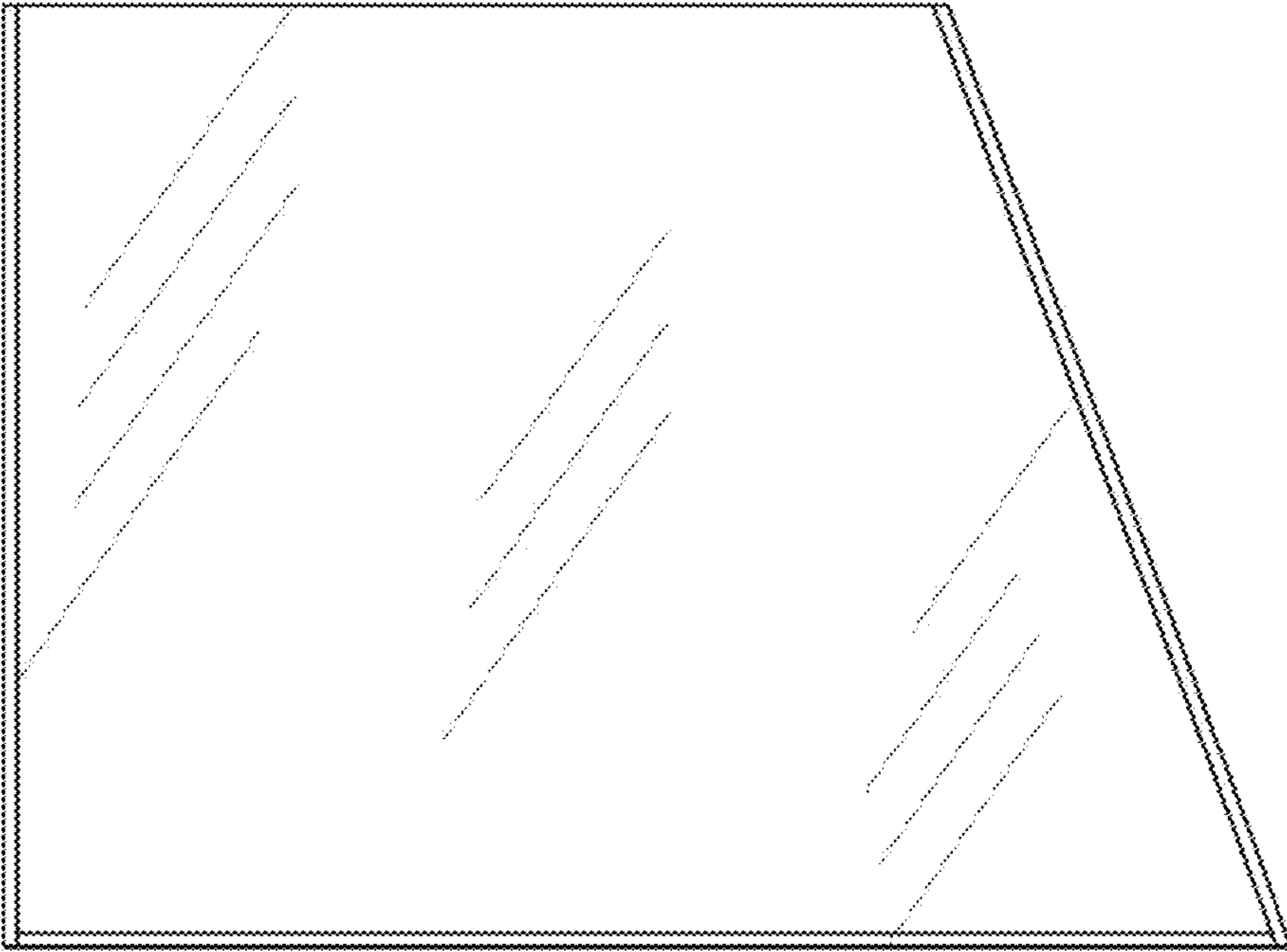


Fig. 2

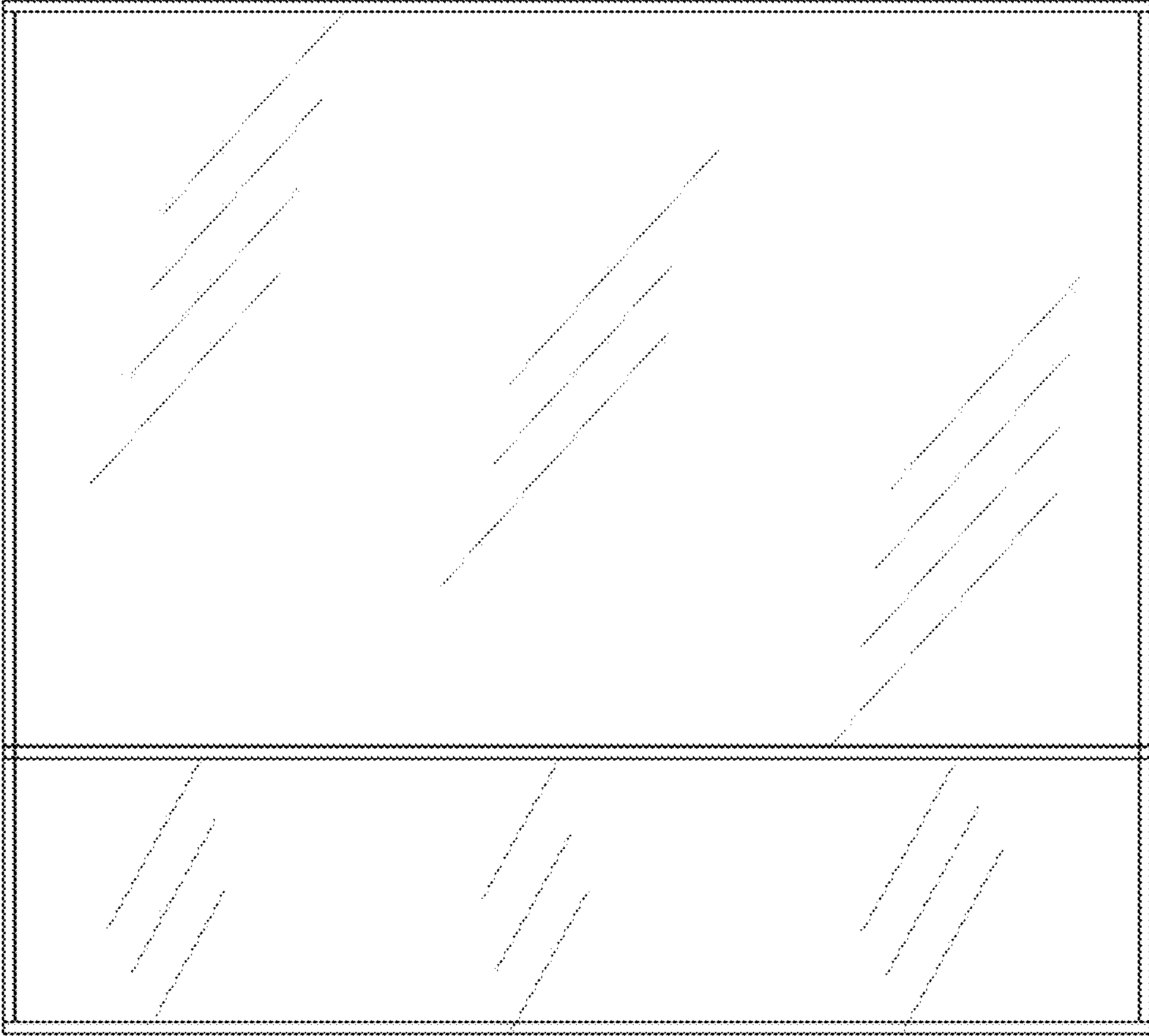


Fig. 3

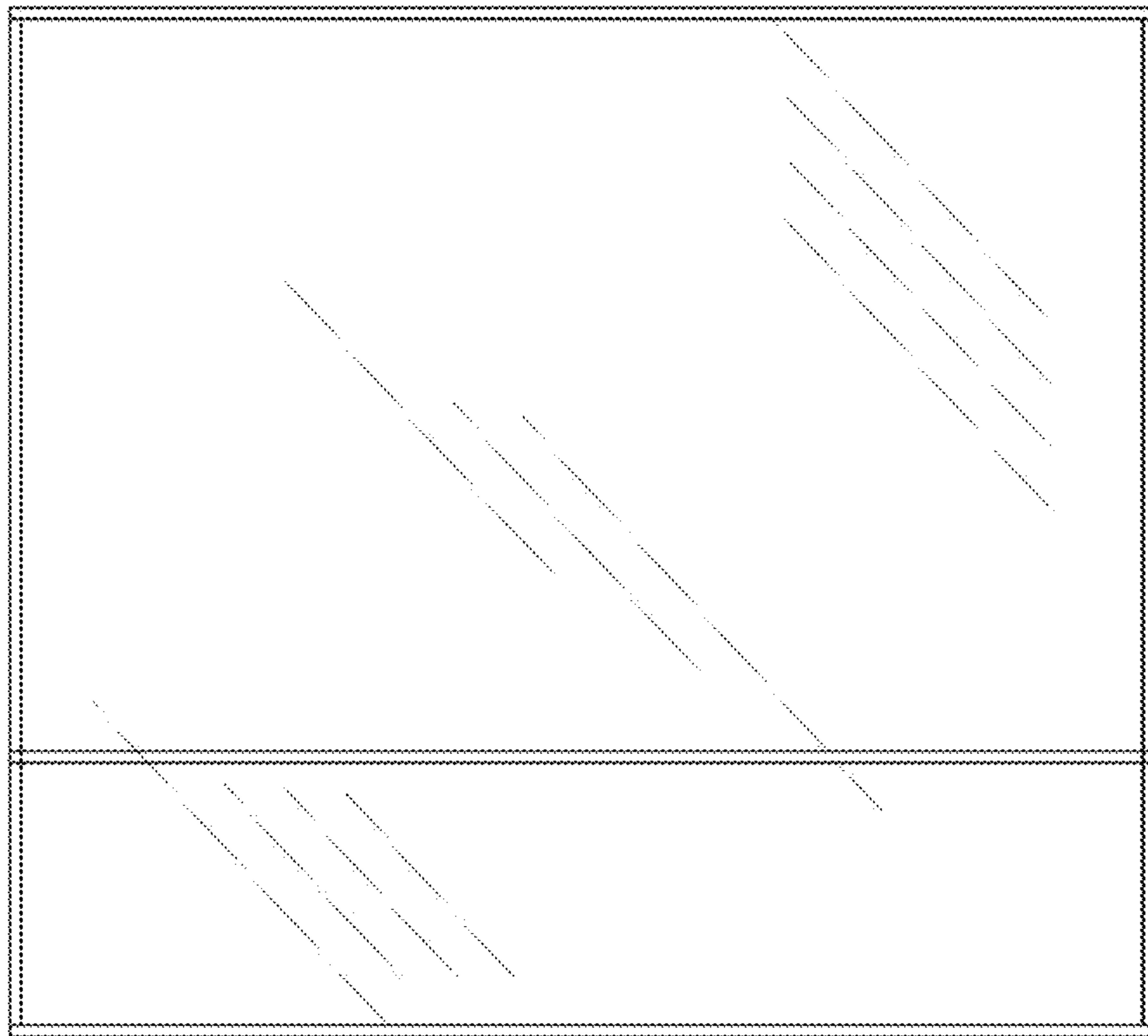


Fig. 4

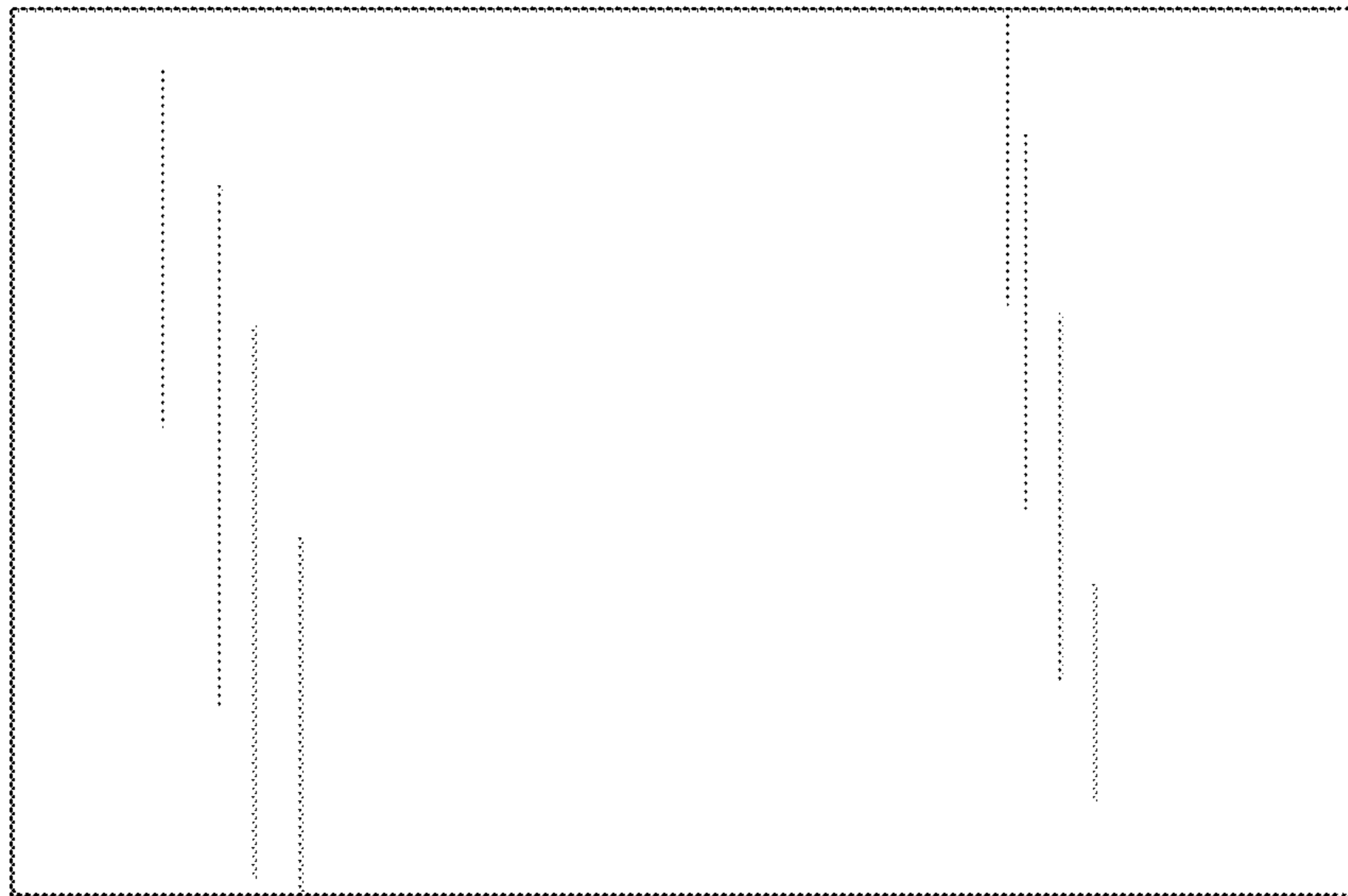


Fig. 5

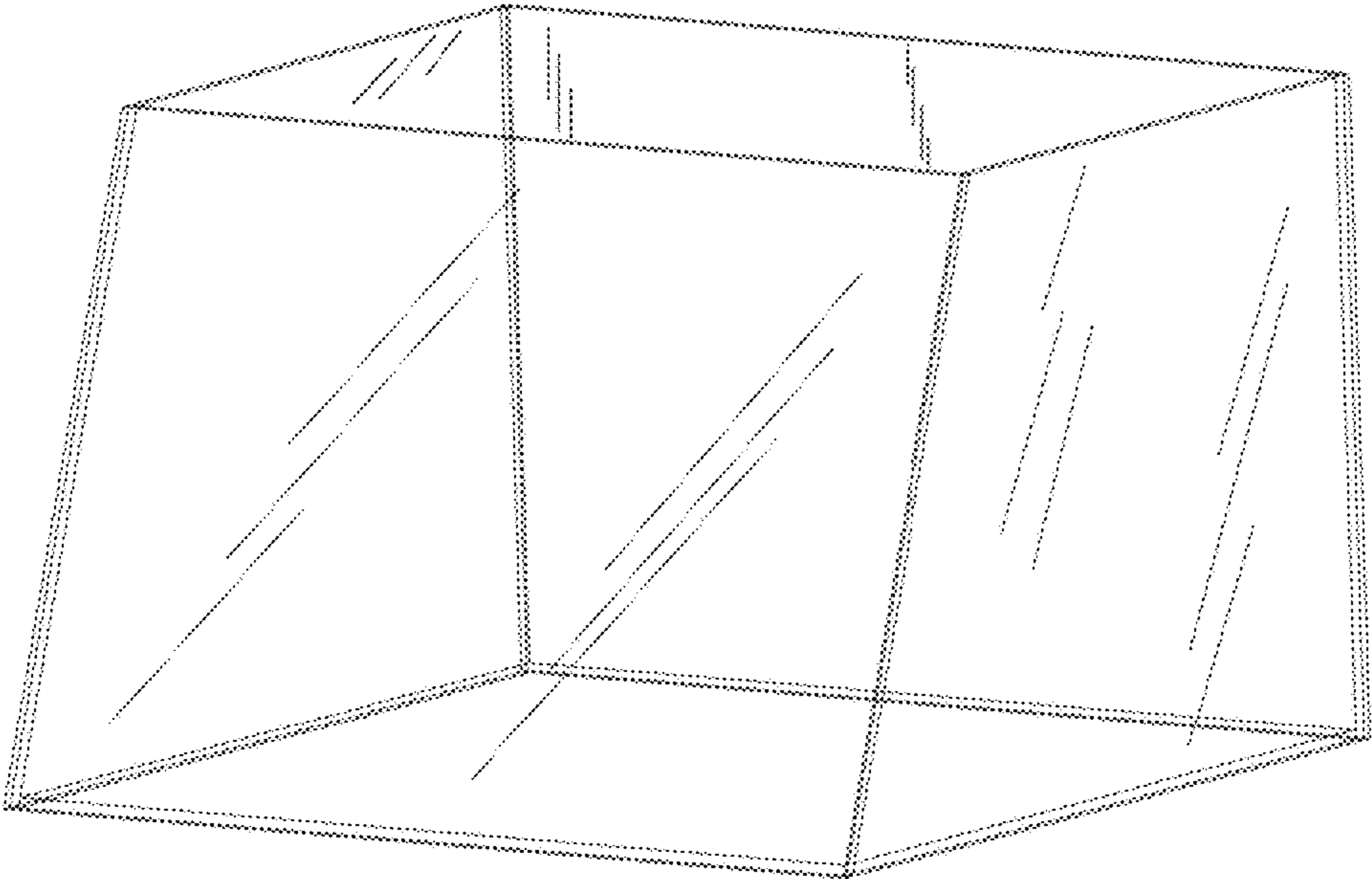


Fig. 6

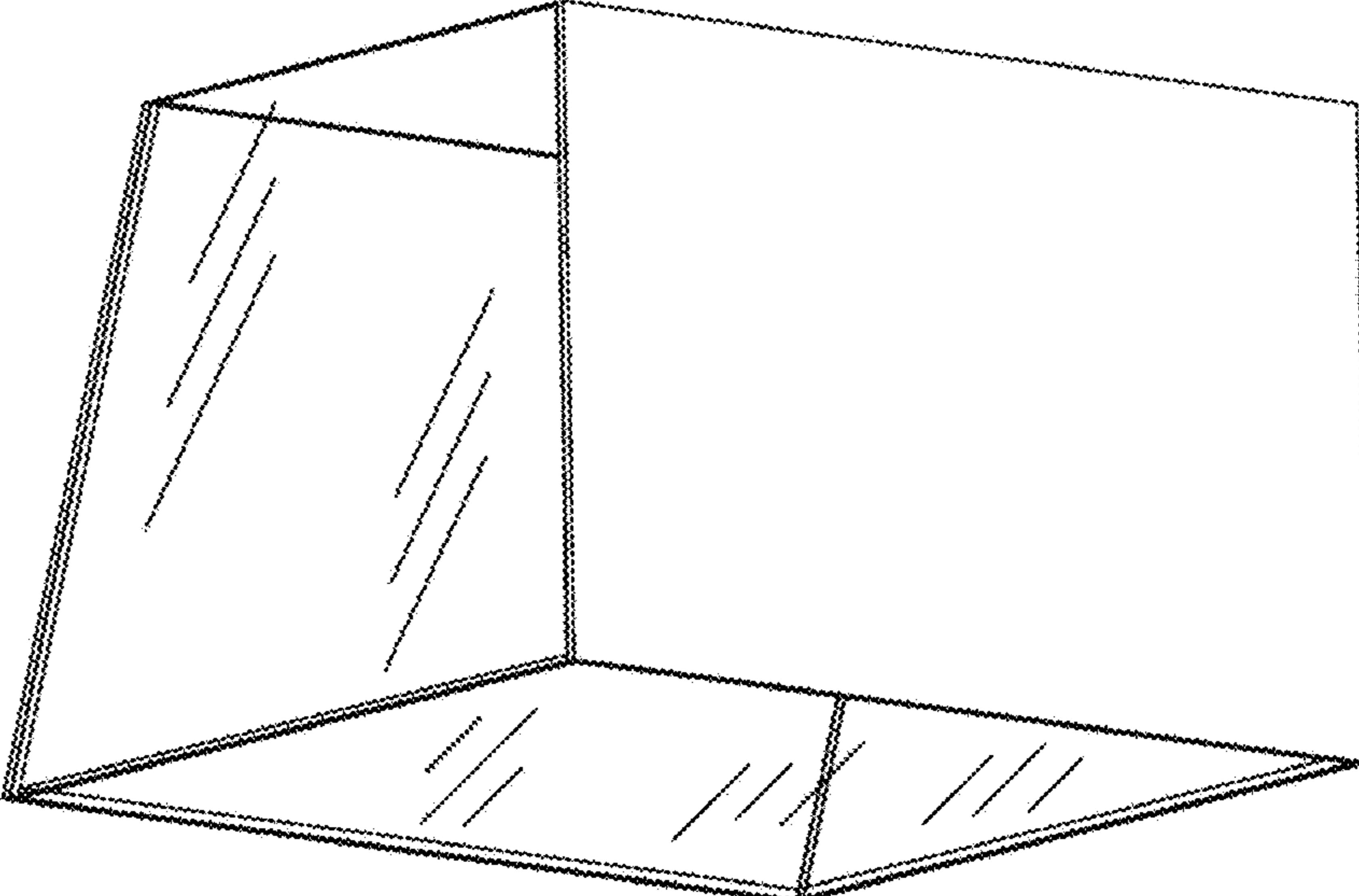


Fig. 7