



US00D801588S

(12) **United States Design Patent**
Endicott, Jr.

(10) **Patent No.:** **US D801,588 S**

(45) **Date of Patent:** **** Oct. 31, 2017**

- (54) **HEARING PROTECTION EAR CUP**
- (71) Applicant: **Theodore Raymond Endicott, Jr.,**
Kempner, TX (US)
- (72) Inventor: **Theodore Raymond Endicott, Jr.,**
Kempner, TX (US)
- (**) Term: **15 Years**
- (21) Appl. No.: **29/564,333**
- (22) Filed: **May 12, 2016**
- (51) **LOC (10) Cl.** **29-02**
- (52) **U.S. Cl.**
USPC **D29/112**
- (58) **Field of Classification Search**
USPC D29/112; D2/869; D9/763, 772, 773;
D14/205, 188, 189, 192
CPC H04R 25/00; H04R 25/652; H04R 5/033;
H04R 5/0335; H04R 1/10; H04R 1/1008;
H04R 1/1016; H04R 1/105; H04R
1/1058; H04R 1/1066; H04R 1/1083;
A42B 1/06; A42B 1/08; A42B 3/16;
A42B 3/163; A42B 3/166; A61F 11/00;
A61F 11/06; A61F 11/08; A61F 11/10;
A61F 11/12; A61F 11/14; A61F 2011/145
See application file for complete search history.

(56) **References Cited**

U.S. PATENT DOCUMENTS

D166,399 S *	4/1952	Lattuca	D29/112
2,697,836 A *	12/1954	Lattuca	A61F 11/06 2/209
D174,601 S *	4/1955	Tremulis et al.	D29/112
2,883,671 A *	4/1959	Hornickel	A61F 11/14 128/866
D288,141 S *	2/1987	Pozzini	D14/205
D291,197 S *	8/1987	LaLanne	D14/205
D298,670 S *	11/1988	Palmaer	D14/205
D324,523 S *	3/1992	Hughes	D14/205

5,285,530 A *	2/1994	Nardone, Jr	A61F 11/06 2/209
5,384,857 A *	1/1995	Nordin	A61F 11/14 381/374
D371,639 S *	7/1996	Schmitt	D14/205
D403,126 S *	12/1998	Scanlon	D29/112
D411,200 S *	6/1999	Almqvist	D14/192
D413,413 S *	8/1999	Dillon	D14/205
D434,191 S *	11/2000	Emilsson	D29/112
D509,323 S *	9/2005	Emilsson	D29/112
D541,483 S *	4/2007	Birgersson	D29/112
D541,484 S *	4/2007	Birgersson	A61F 11/14 D29/112
D601,436 S *	10/2009	Stephens	D9/772
D623,963 S *	9/2010	Fairchild, Jr.	D9/772
D651,764 S *	1/2012	Gresko	A61F 11/14 D29/112
D663,900 S *	7/2012	Karlsson	A61F 11/14 D29/112

(Continued)

Primary Examiner — Elizabeth J Oswecki

(57) **CLAIM**

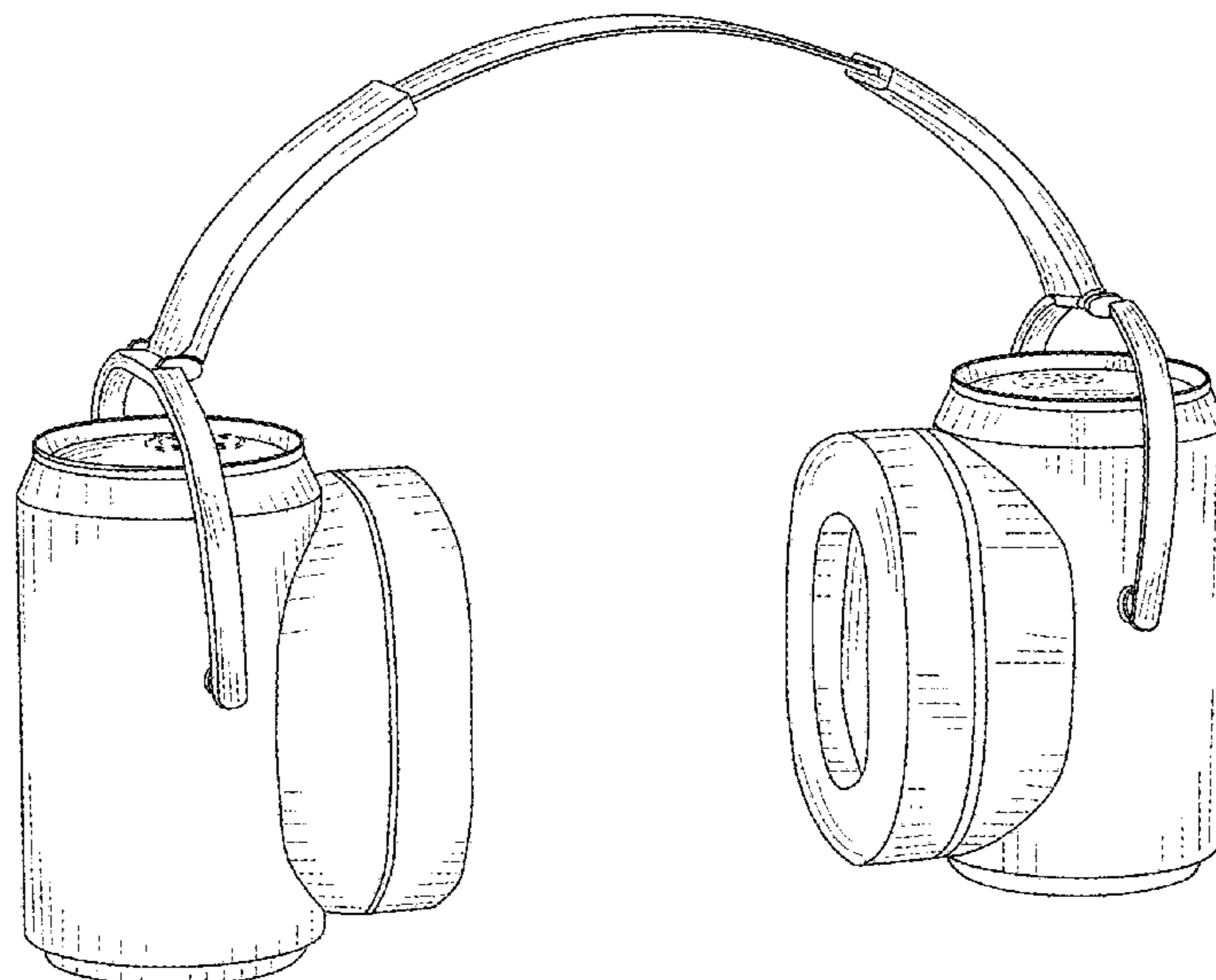
The ornamental design for hearing protection ear cup, as shown and described.

DESCRIPTION

FIG. 1 is a perspective view of a hearing protection ear cup showing my new design;
 FIG. 2 is a front elevational view thereof;
 FIG. 3 is a rear elevational view thereof;
 FIG. 4 is a left side elevational view thereof;
 FIG. 5 is a right side elevational view thereof;
 FIG. 6 is a bottom plan view thereof;
 FIG. 7 is a top plan view thereof; and,
 FIG. 8 is a perspective cross-sectional view taken along line 8-8 of FIG. 2.

The broken line showing of tabs is included for the purpose of illustrating environmental structure and forms no part of the claimed design.

1 Claim, 8 Drawing Sheets



(56)

References Cited

U.S. PATENT DOCUMENTS

D713,268 S *	9/2014	Jones	D9/772
D736,475 S *	8/2015	Fletcher	D29/112
D752,816 S *	3/2016	Fletcher	D29/112
D757,681 S *	5/2016	Kuskin	D14/205
D778,734 S *	2/2017	Odikor	D9/772
D779,975 S *	2/2017	Arranz	D9/772
D780,378 S *	2/2017	Chow	D14/205
D780,601 S *	3/2017	Arranz	D9/772
D787,470 S *	5/2017	Kelly	D14/205

* cited by examiner

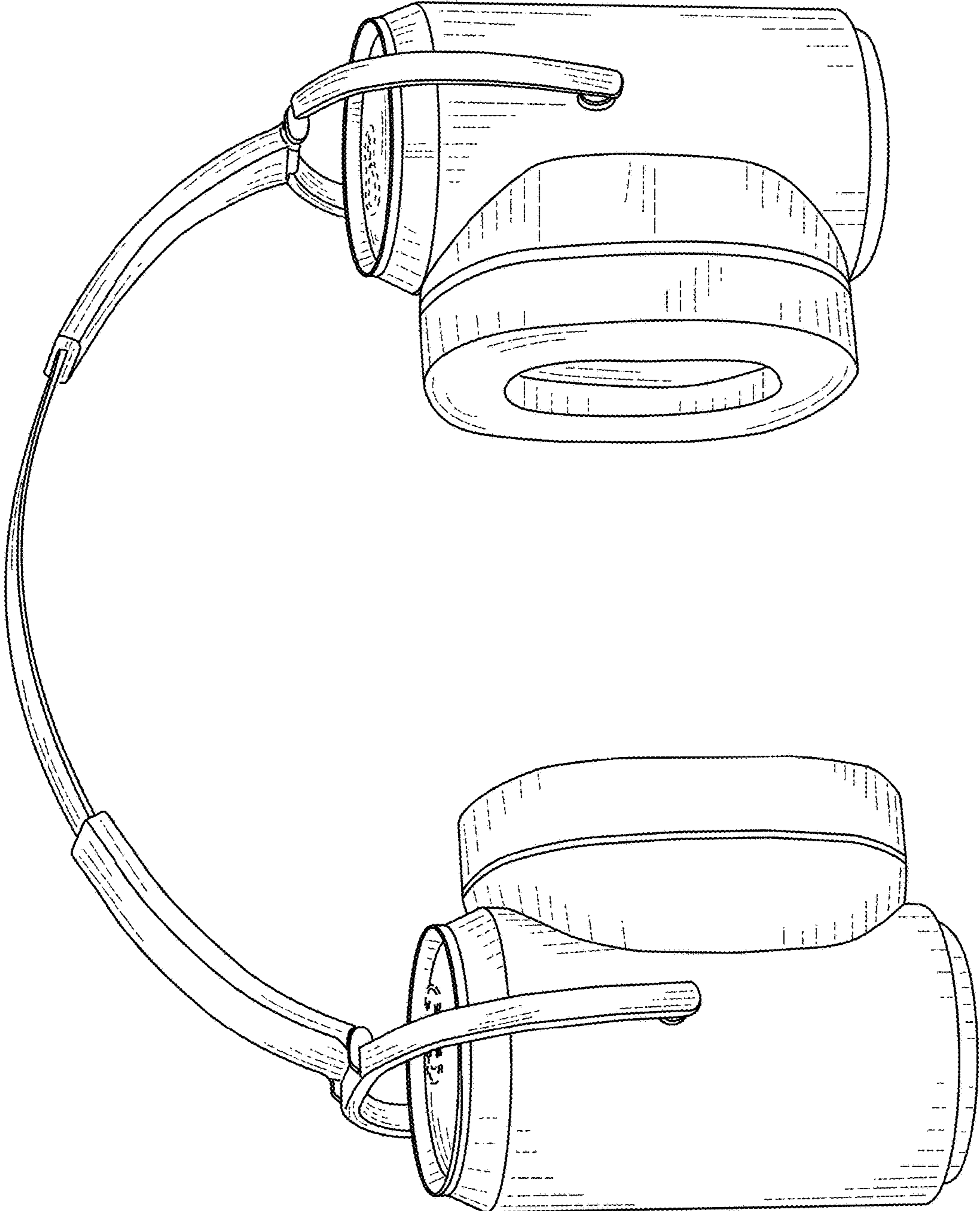


FIG. 1

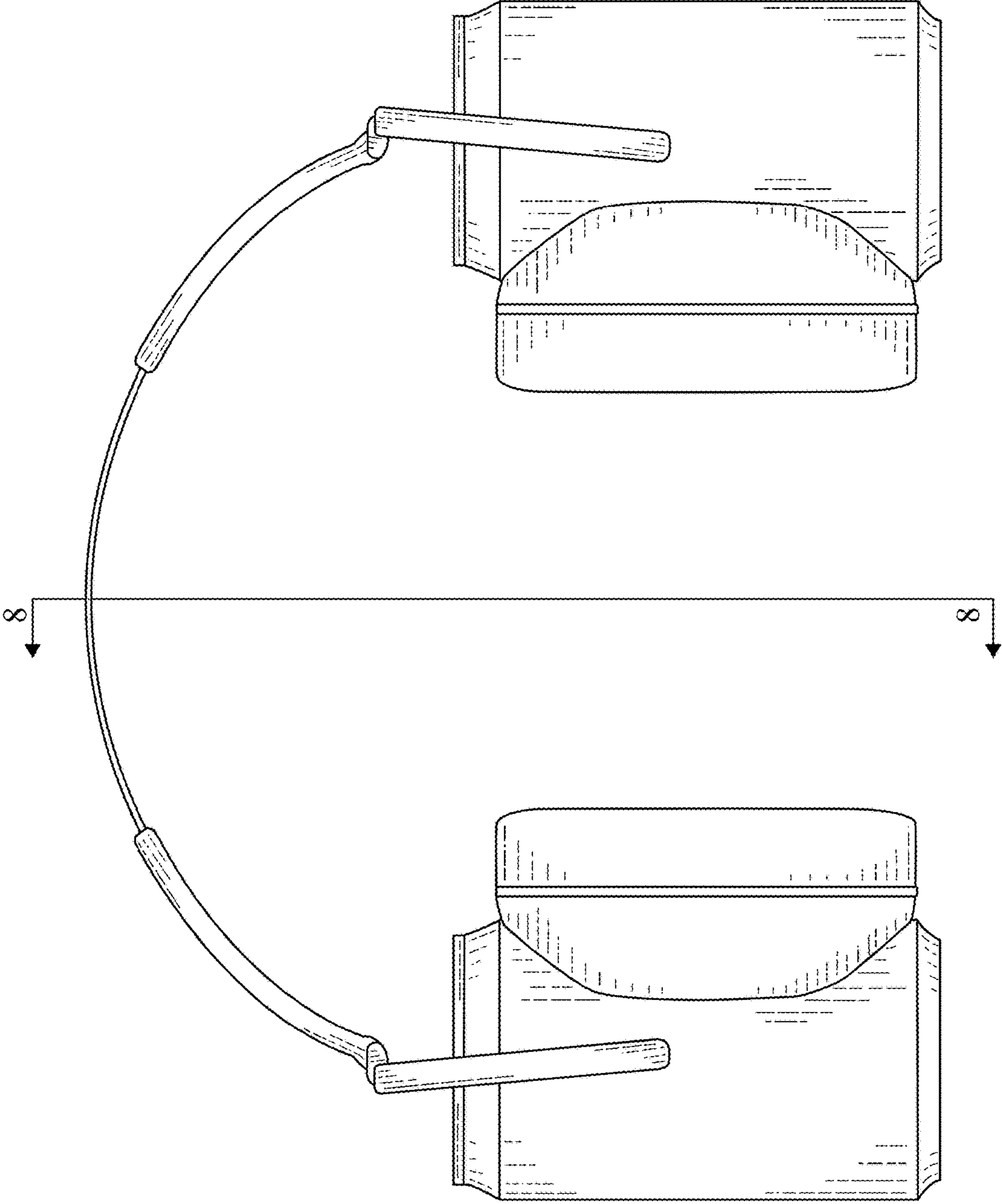


FIG. 2

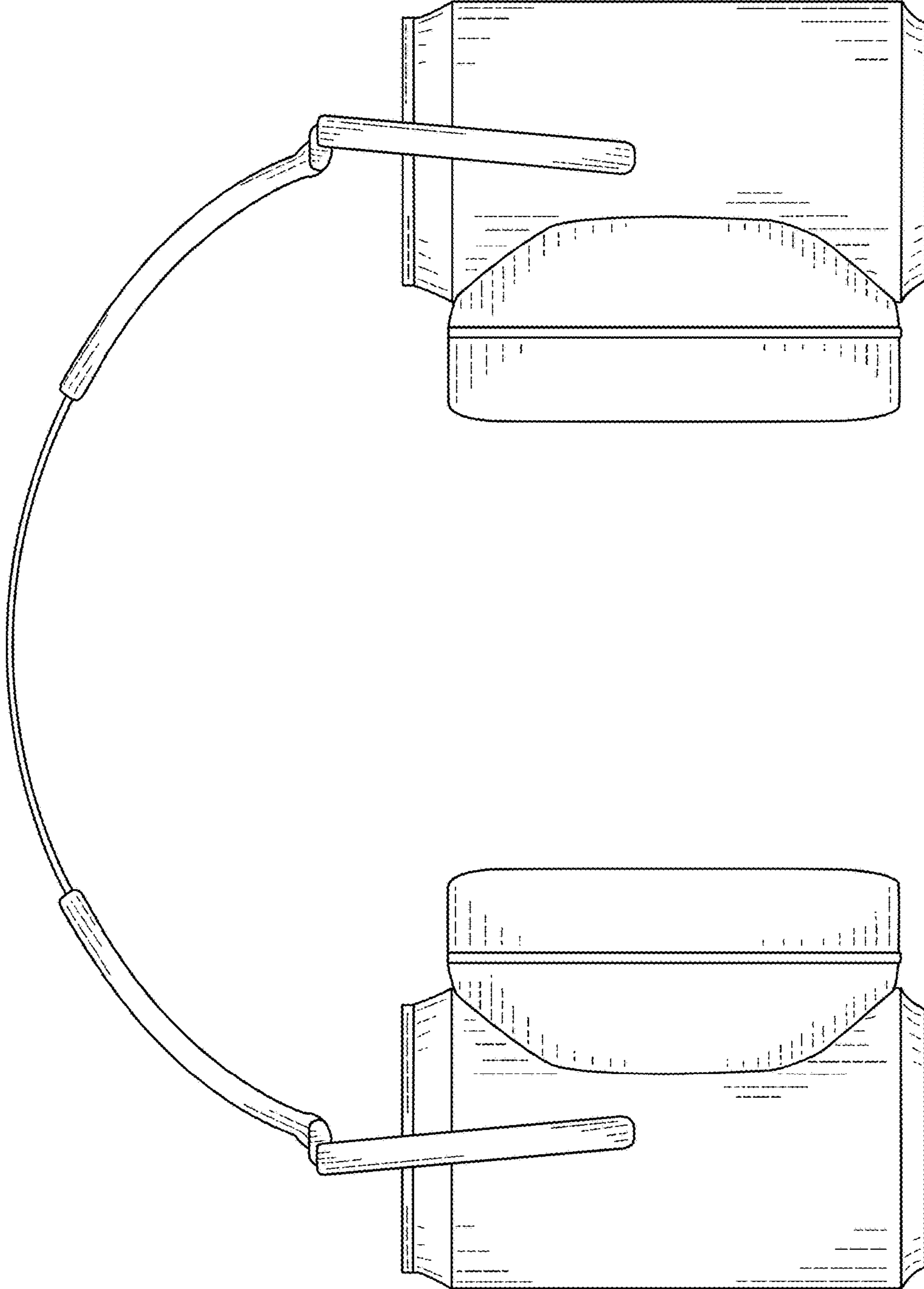


FIG. 3

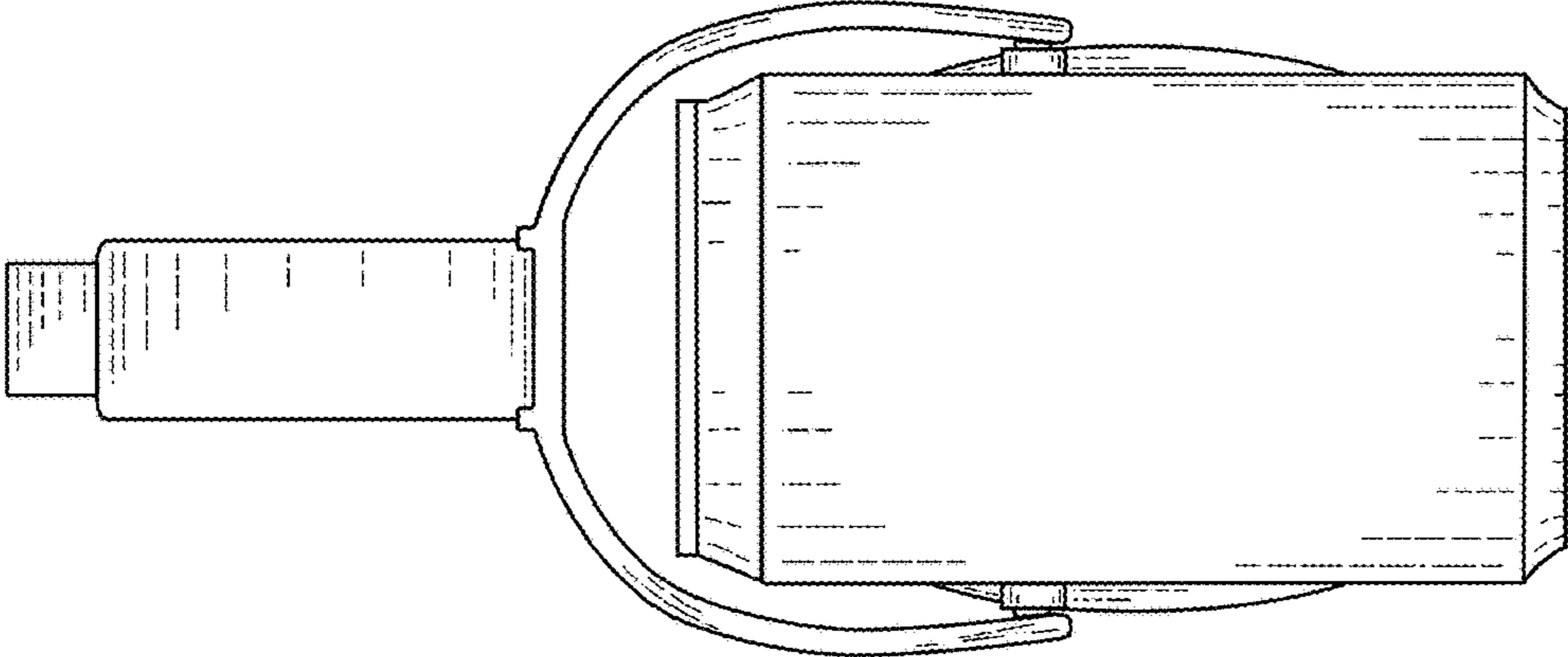


FIG. 4

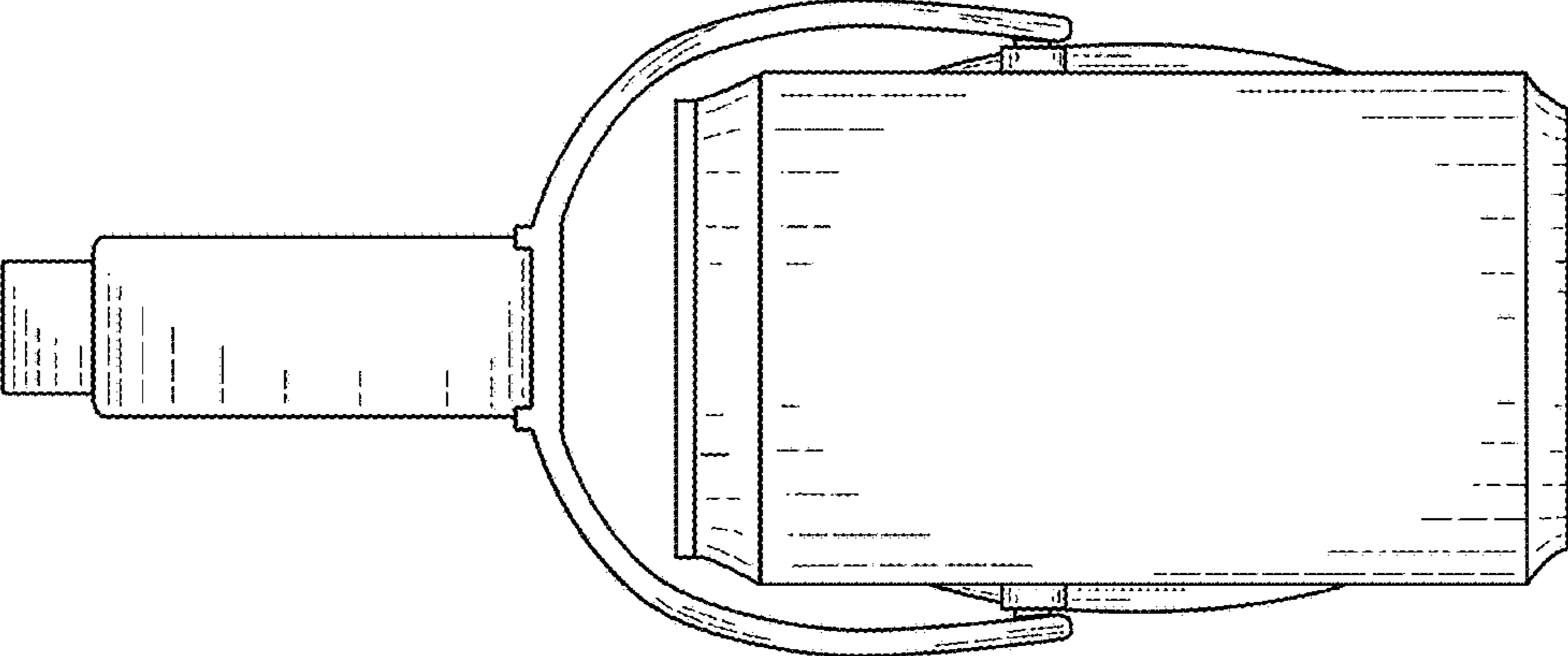


FIG. 5

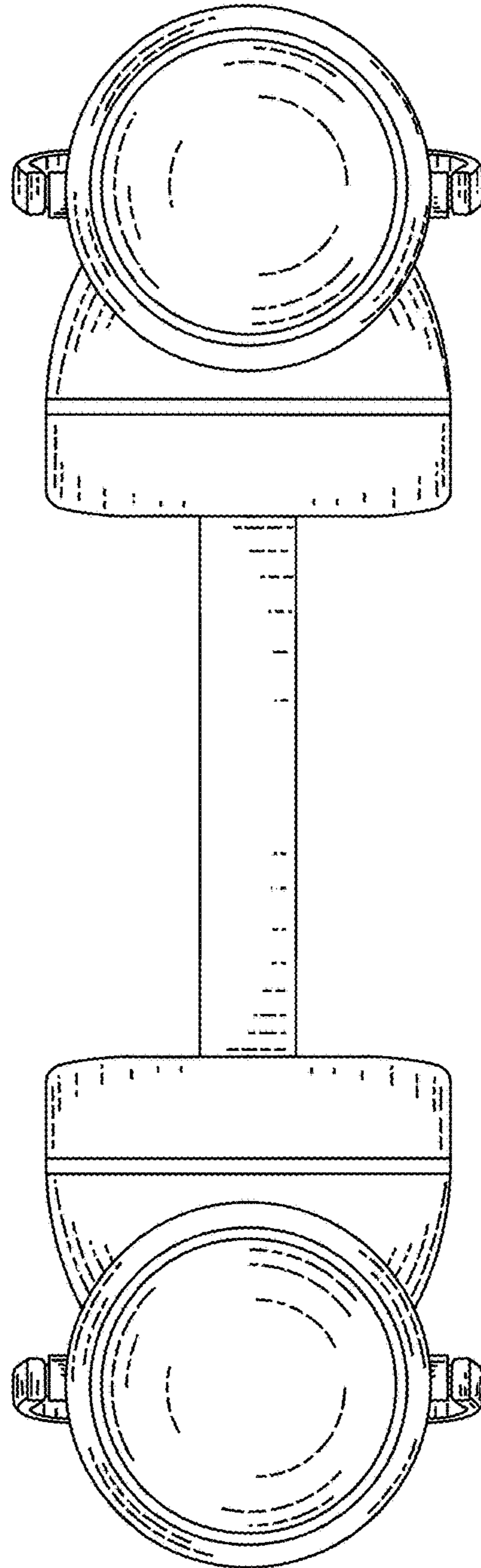


FIG. 6

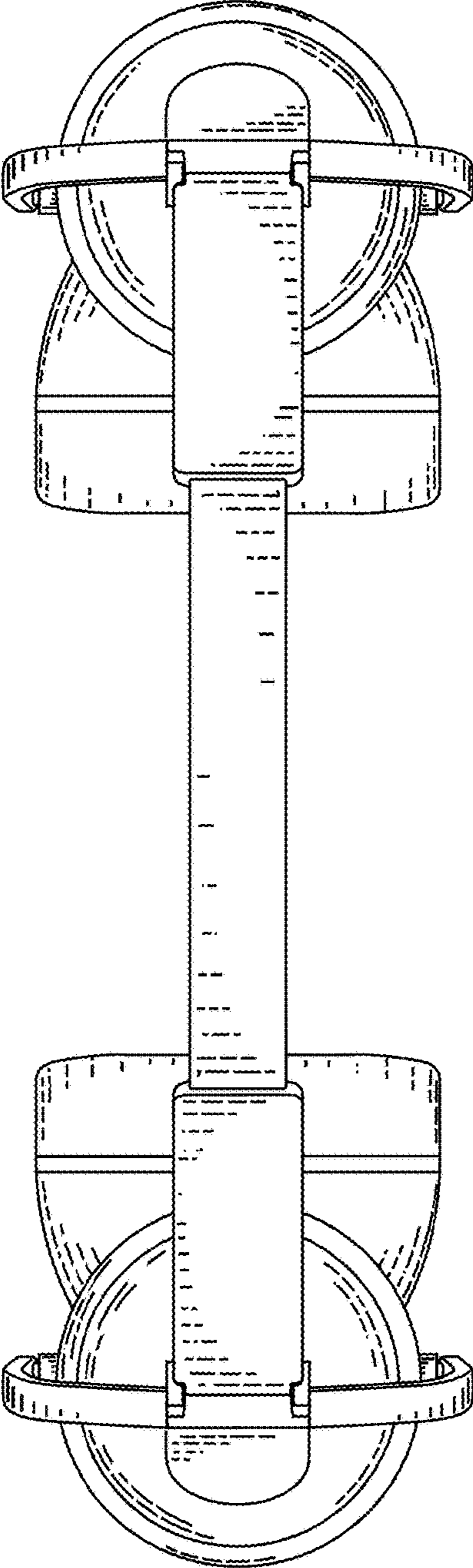


FIG. 7

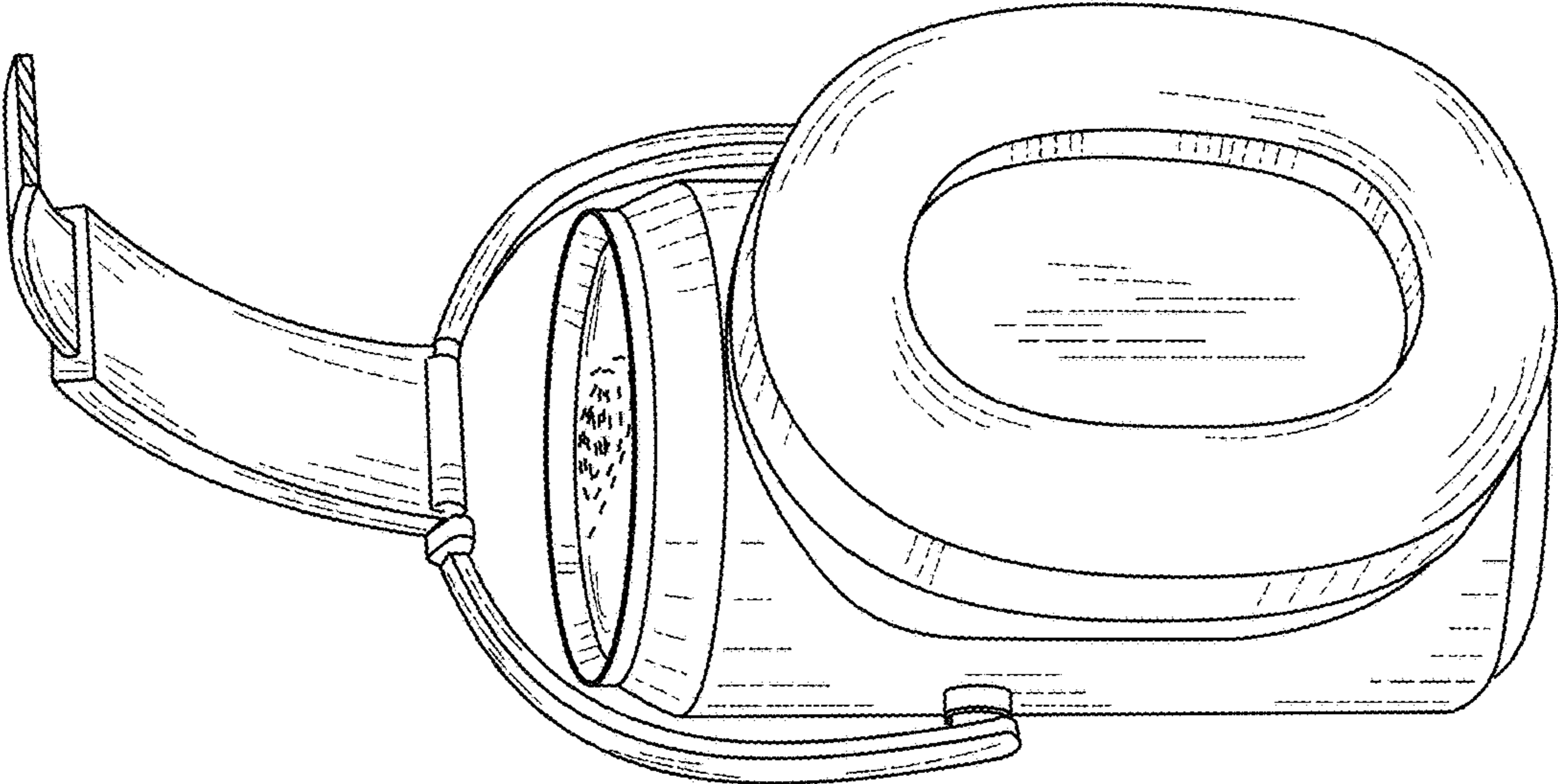


FIG. 8