



US00D801587S

(12) **United States Design Patent**  
**Rieck et al.**

(10) **Patent No.:** **US D801,587 S**

(45) **Date of Patent:** **\*\* Oct. 31, 2017**

(54) **HEADWEAR**

(71) Applicant: **DAQRI, LLC**, Los Angeles, CA (US)

(72) Inventors: **Douglas Rieck**, Santa Monica, CA (US); **Brian Mullins**, Altadena, CA (US); **Ryan Ries**, La Canada, CA (US); **Hien Nguyen**, Westminster, CA (US); **Arash Kalantari**, Los Angeles, CA (US); **Timotheos Leahy**, Los Angeles, CA (US)

(73) Assignee: **DAQRI, LLC**, Los Angeles, CA (US)

(\*\*) Term: **15 Years**

(21) Appl. No.: **29/579,642**

(22) Filed: **Sep. 30, 2016**

(51) **LOC (10) Cl.** ..... **09-03**

(52) **U.S. Cl.**  
USPC ..... **D29/105**

(58) **Field of Classification Search**  
USPC ..... D29/102-107, 122, 110  
CPC ..... A63B 71/10; A42B 3/166; A42B 3/222;  
A42B 3/228; A42B 3/32; A42B 3/00;  
A42B 3/322; A61F 9/06  
See application file for complete search history.

(56) **References Cited**

**U.S. PATENT DOCUMENTS**

D214,547 S	*	7/1969	Fisher	.....	D29/105
D214,824 S	*	8/1969	Fisher	.....	D29/107
D215,137 S	*	9/1969	Fisher	.....	D29/107
D291,127 S	*	7/1987	Bohjort	.....	D29/105
D397,519 S	*	8/1998	Crupi	.....	D29/107
D510,644 S	*	10/2005	Batstone	.....	D29/107
D567,450 S	*	4/2008	Renfrew	.....	D29/107
D568,002 S	*	4/2008	Mateu Codina	.....	D29/107

D595,014 S	*	6/2009	Tinius	.....	D29/107
D638,169 S	*	5/2011	Lebel	.....	D29/107
D640,010 S	*	6/2011	Mateu Codina	.....	D29/105

(Continued)

*Primary Examiner* — Ruth McInroy

(74) *Attorney, Agent, or Firm* — Schwegman Lundberg & Woessner, P.A.

(57) **CLAIM**

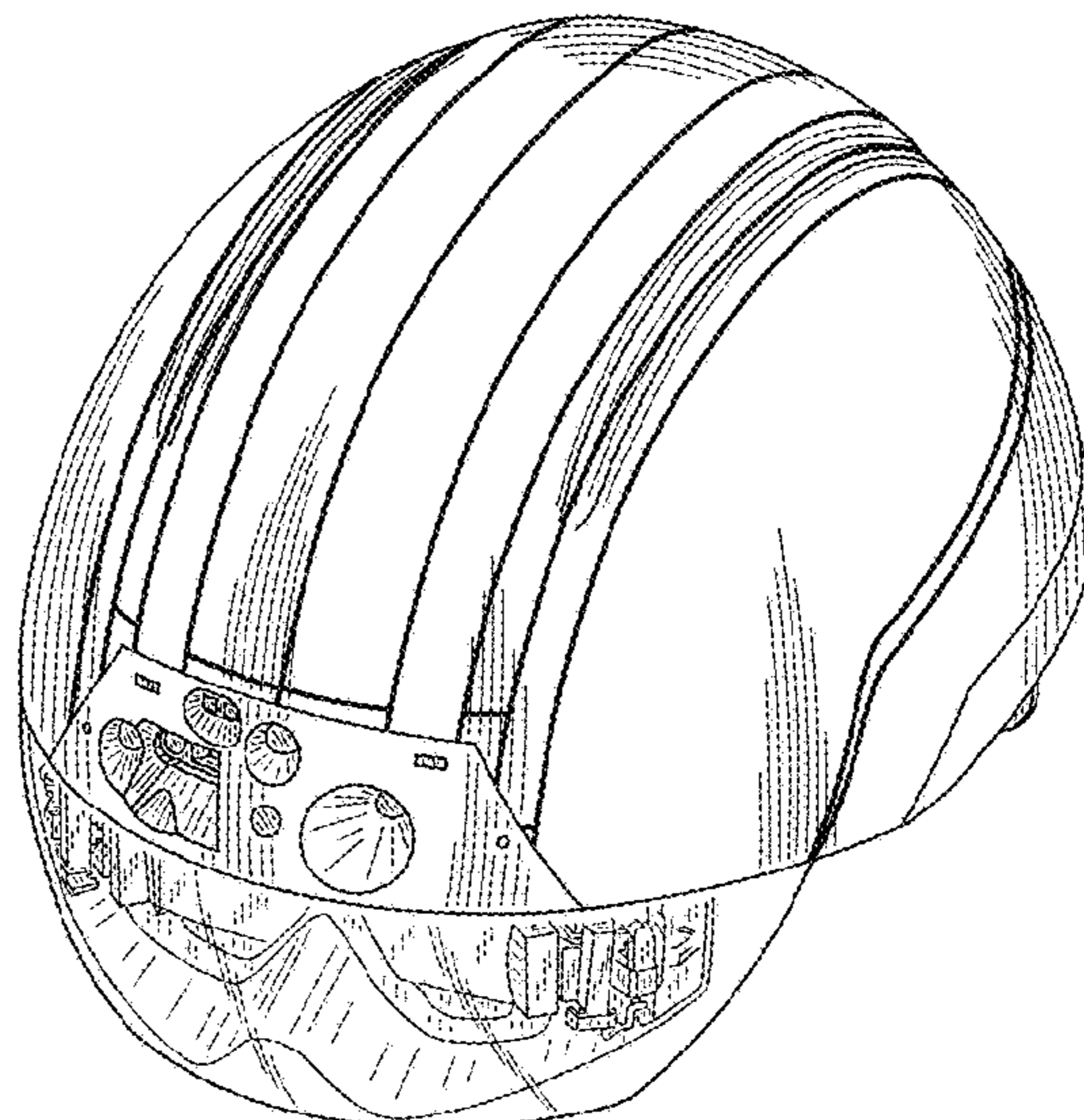
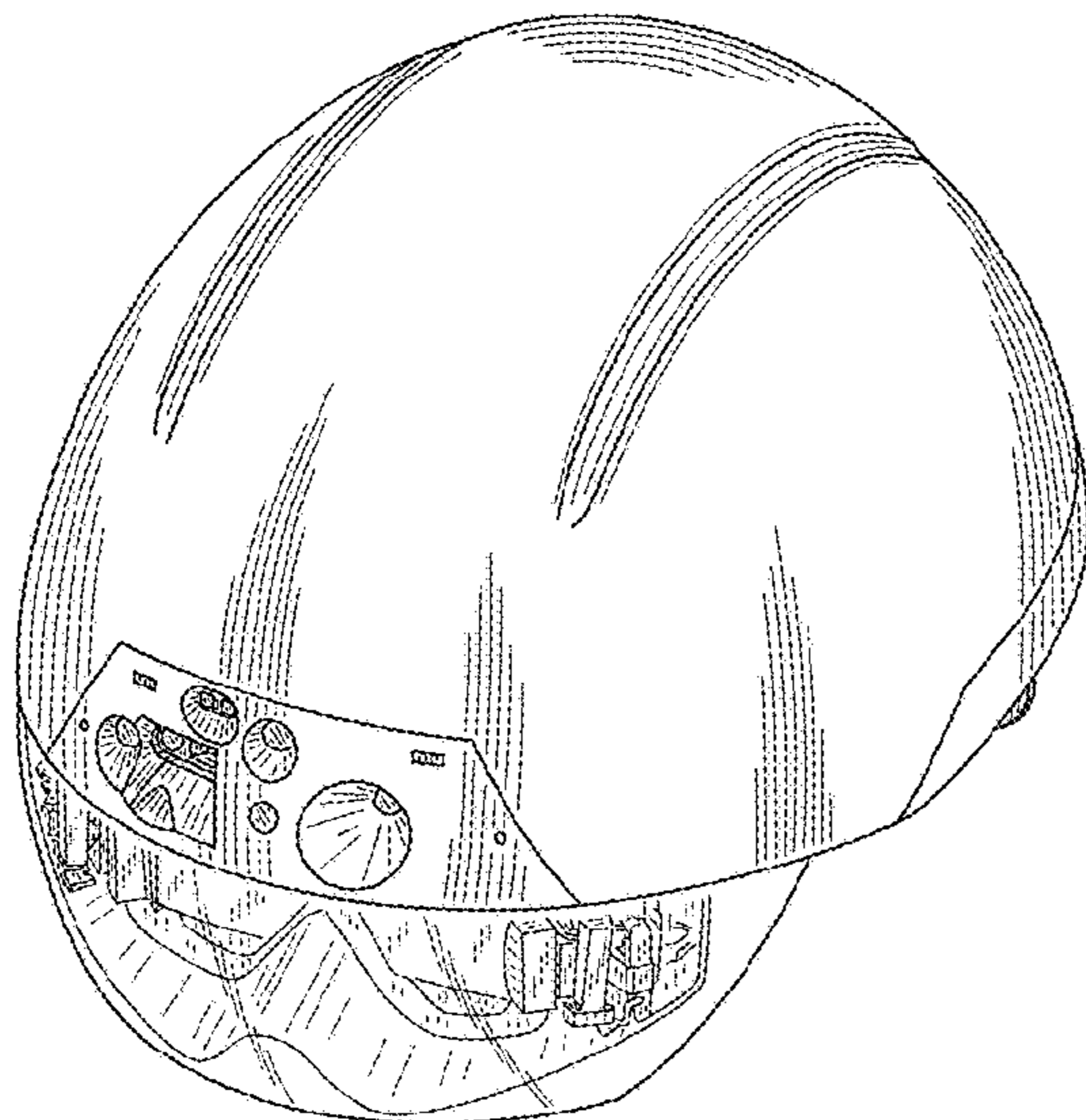
The ornamental design for headwear, as shown and described.

**DESCRIPTION**

FIG. 1 is a top, left, front perspective view of a headwear showing our new design;  
 FIG. 2 is a top, left, rear perspective view thereof;  
 FIG. 3 is a bottom, left, rear perspective view thereof;  
 FIG. 4 is a bottom, right, rear perspective view thereof;  
 FIG. 5 is a front view thereof;  
 FIG. 6 is a rear view thereof;  
 FIG. 7 is a left side view thereof;  
 FIG. 8 is a right side view thereof;  
 FIG. 9 is a top view thereof;  
 FIG. 10 is a top, left, front perspective view of a second embodiment thereof;  
 FIG. 11 is a top, left, rear perspective view of FIG. 10;  
 FIG. 12 is a bottom, left, rear perspective view of FIG. 10;  
 FIG. 13 is a bottom, right, rear perspective view of FIG. 10;  
 FIG. 14 is a front view of FIG. 10;  
 FIG. 15 is a rear view of FIG. 10;  
 FIG. 16 is a left side view of FIG. 10;  
 FIG. 17 is a right side view of FIG. 10; and,  
 FIG. 18 is a top view of FIG. 10.

In FIGS. 1-9, which illustrate the first embodiment of the design, the shade lines show contour and not surface ornamentation. In FIGS. 10-18, which illustrate the second embodiment of the design, the thick solid lines, where present, show surface ornamentation and not contour, while the shade lines show contour and not surface ornamentation.

**1 Claim, 18 Drawing Sheets**



(56)

**References Cited**

U.S. PATENT DOCUMENTS

D765,316 S *	8/2016	Incerti .....	D29/102
D766,515 S *	9/2016	Incerti .....	D29/102
D766,516 S *	9/2016	Starck .....	D29/102
D777,379 S *	1/2017	Mullins .....	D29/107
D781,001 S *	3/2017	Kournwsky .....	D29/107

\* cited by examiner

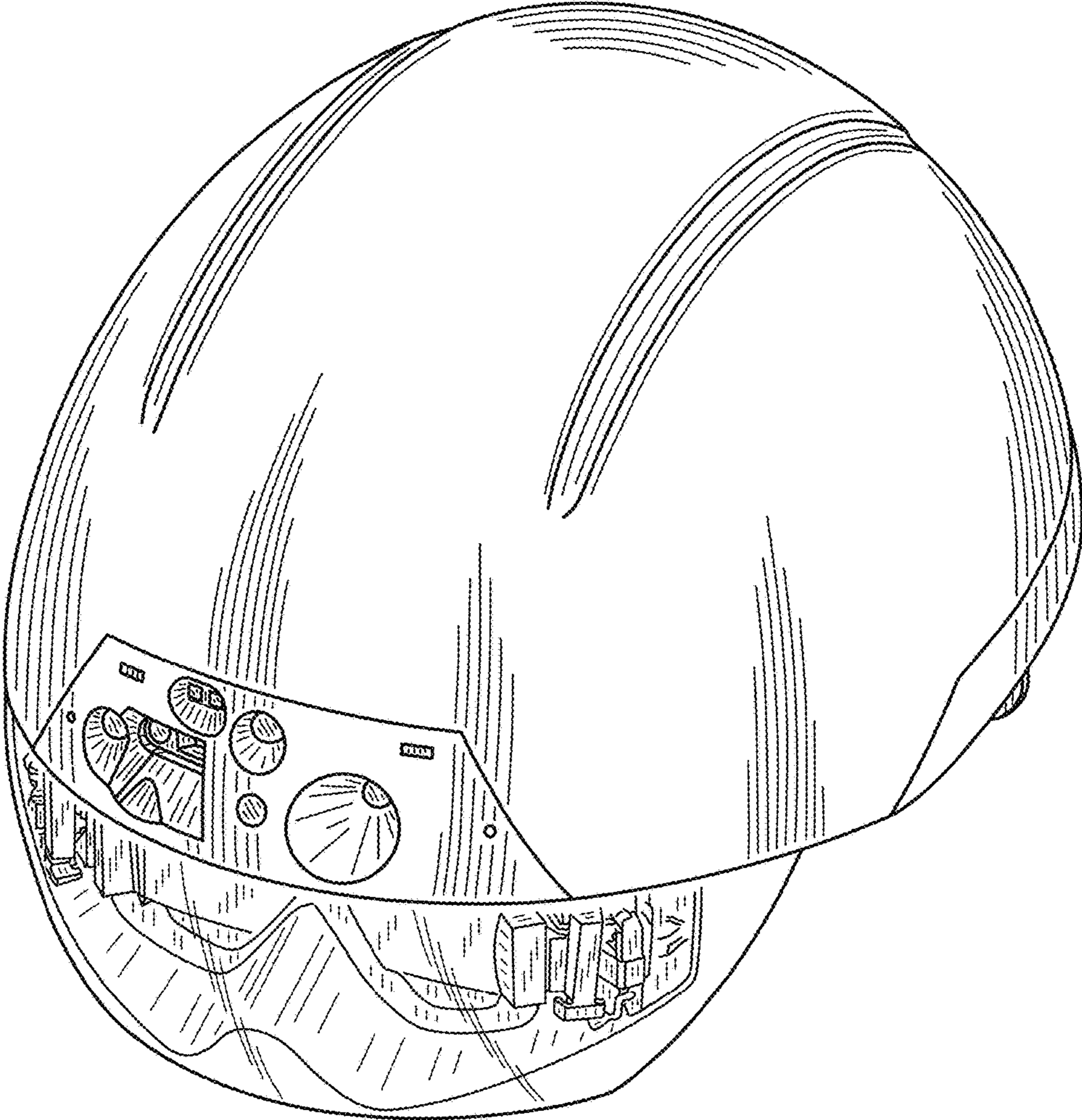


FIG. 1

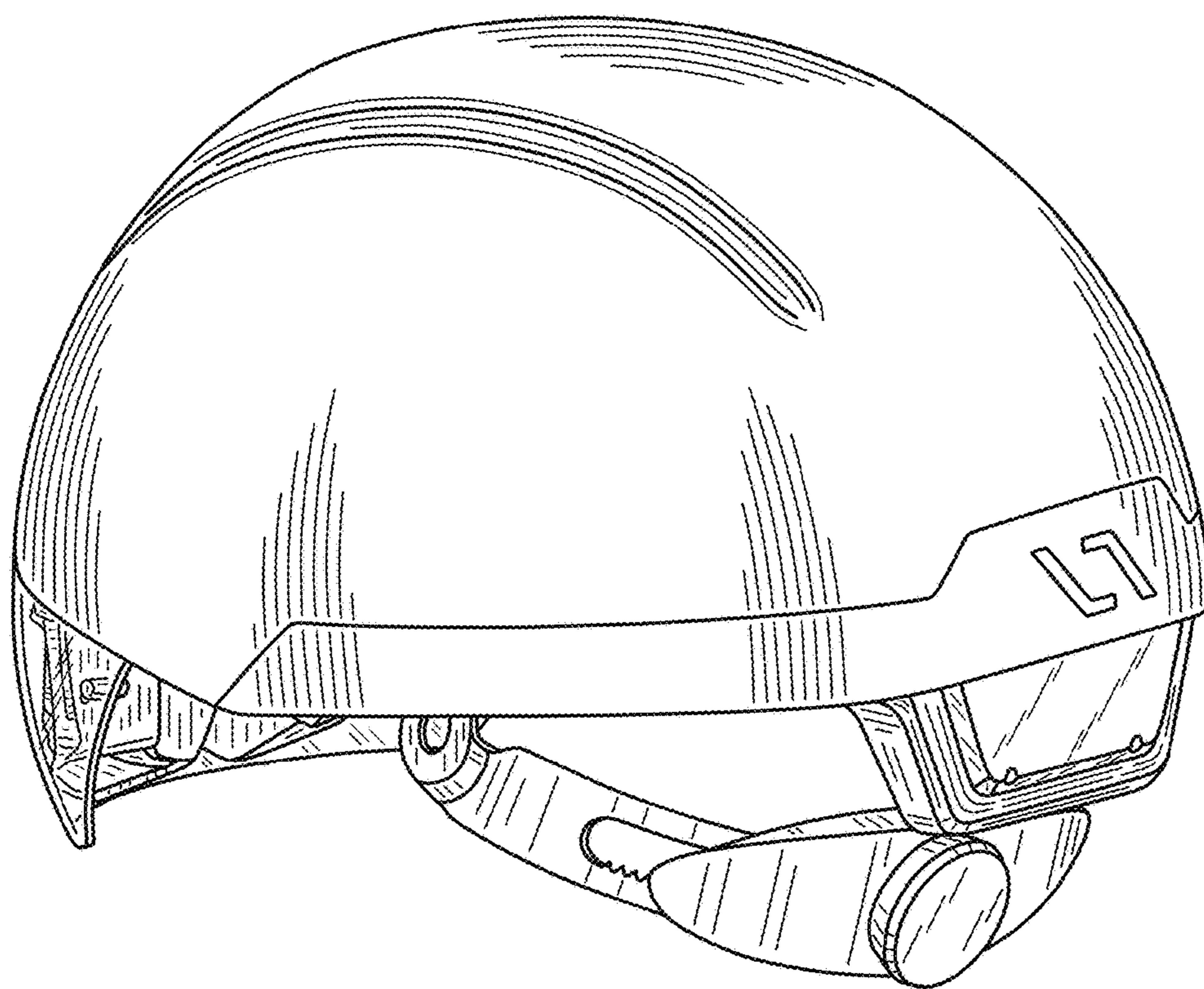


FIG. 2

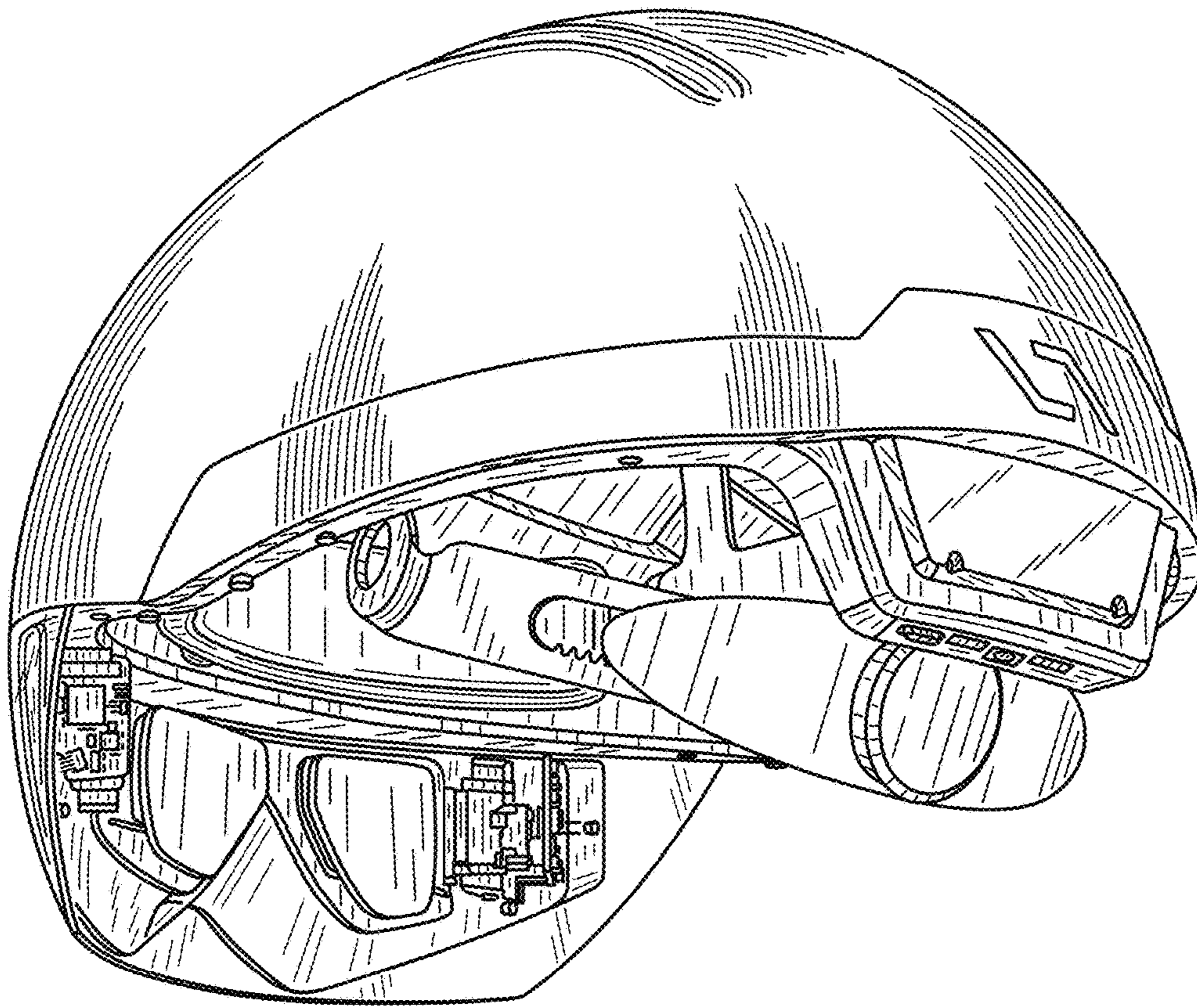


FIG. 3

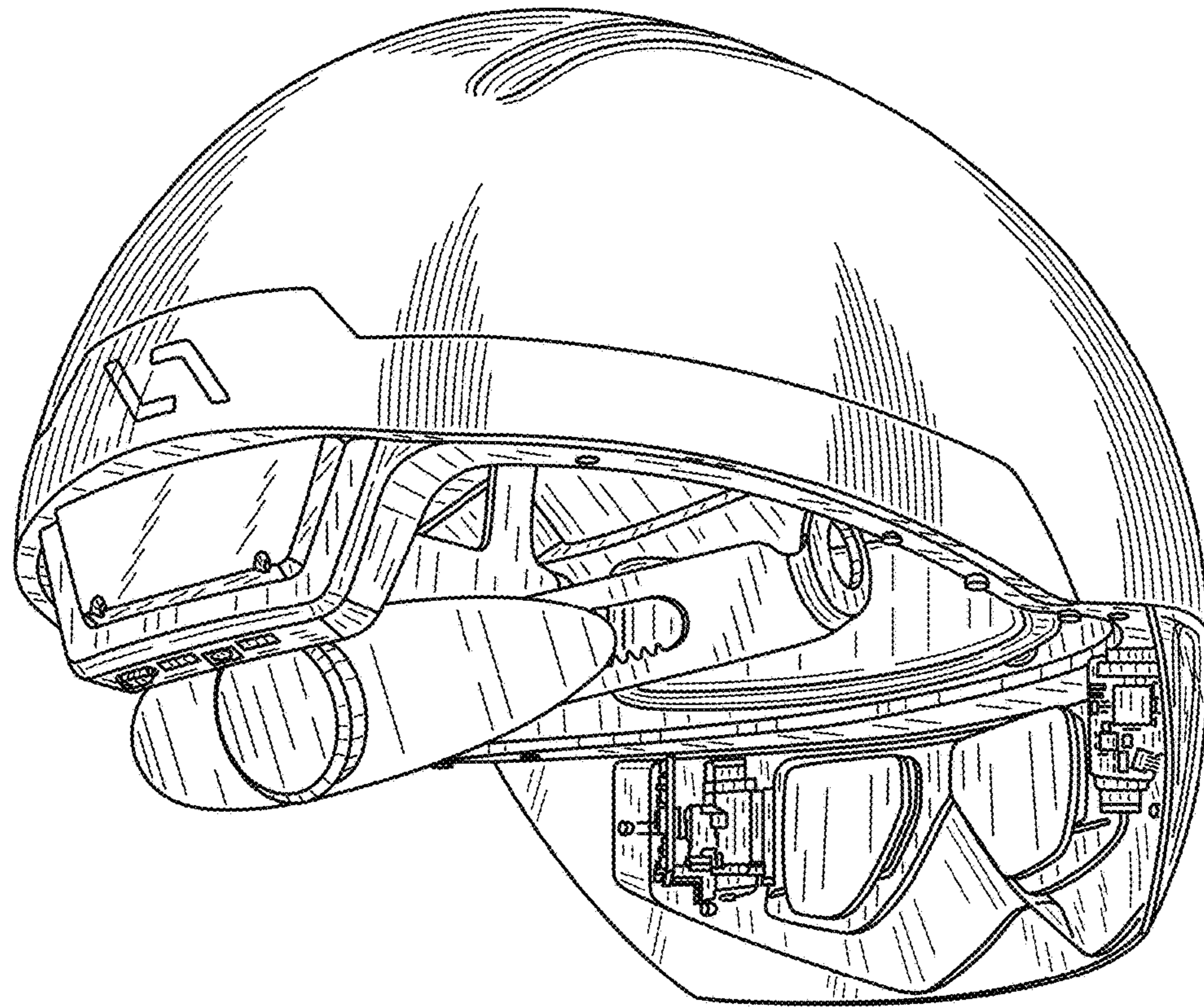


FIG. 4

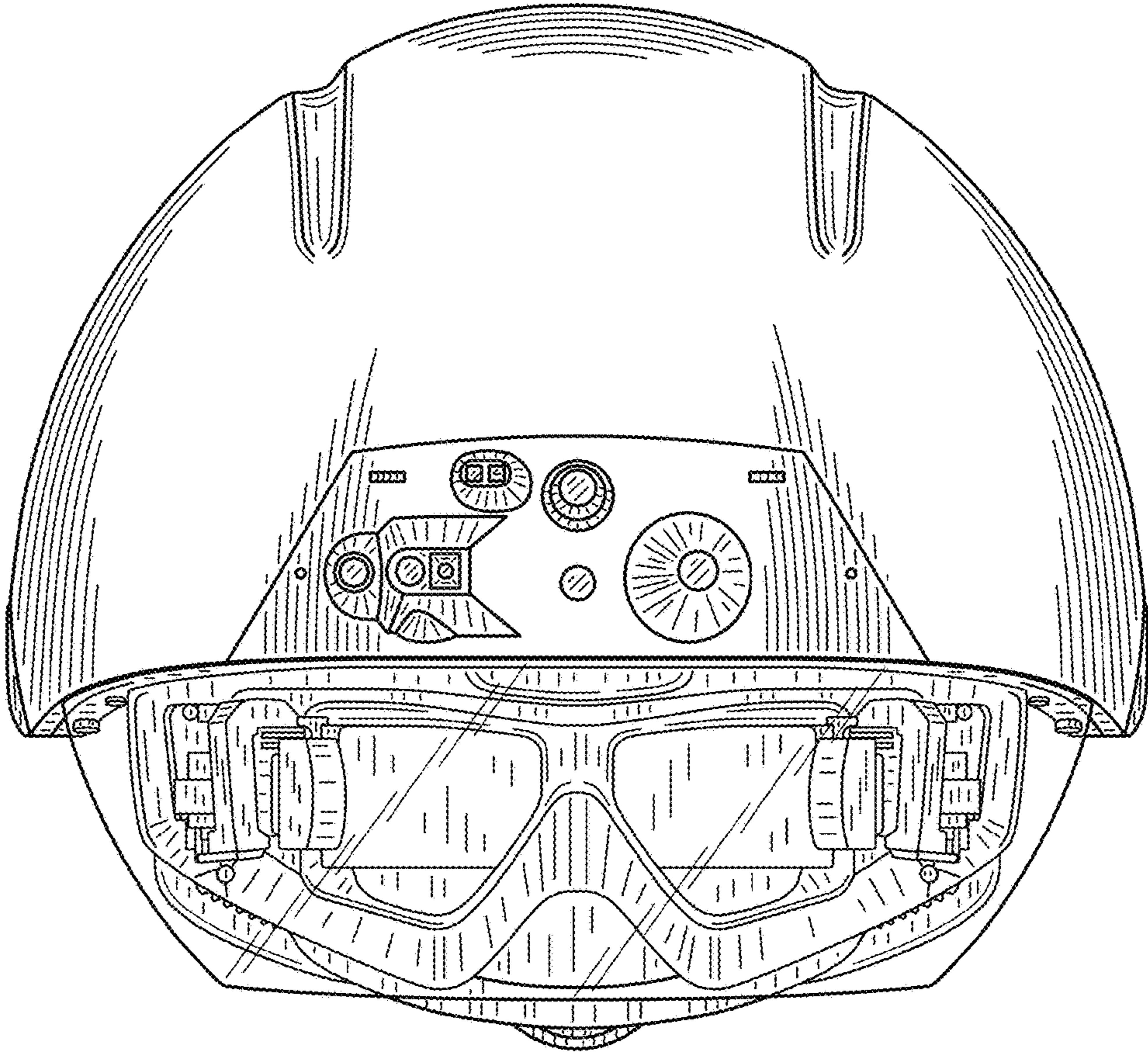


FIG. 5

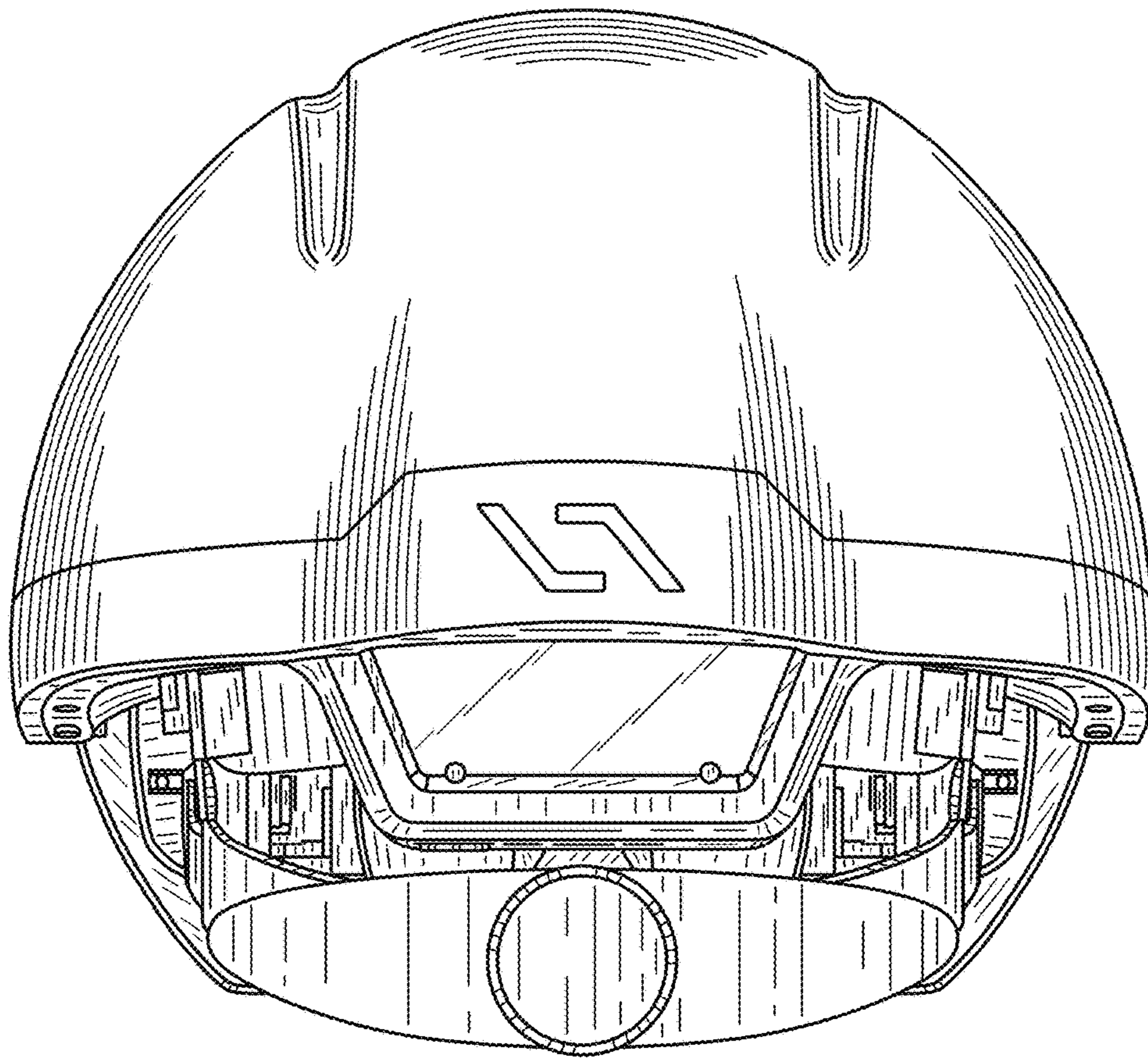


FIG. 6



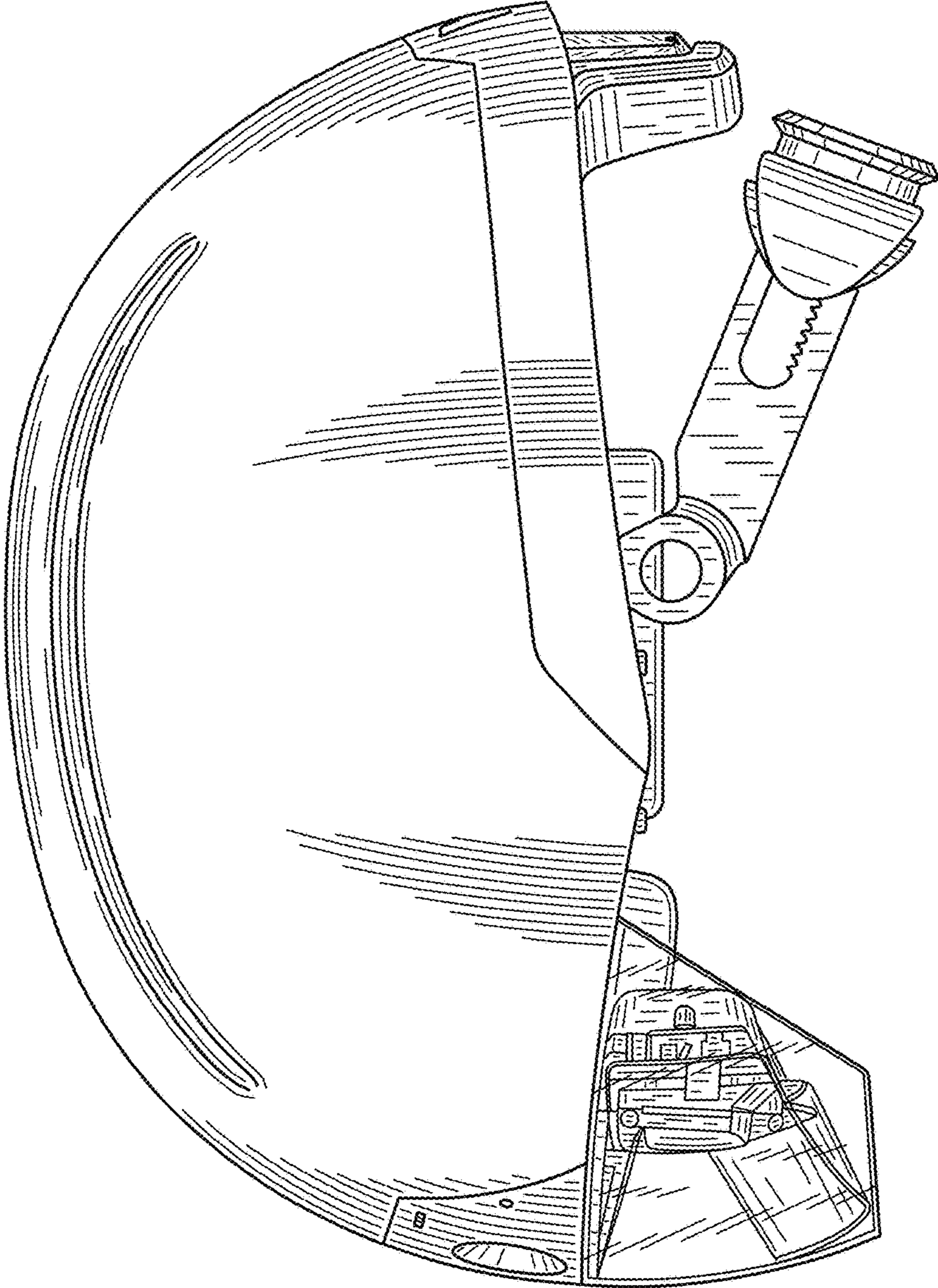


FIG. 7

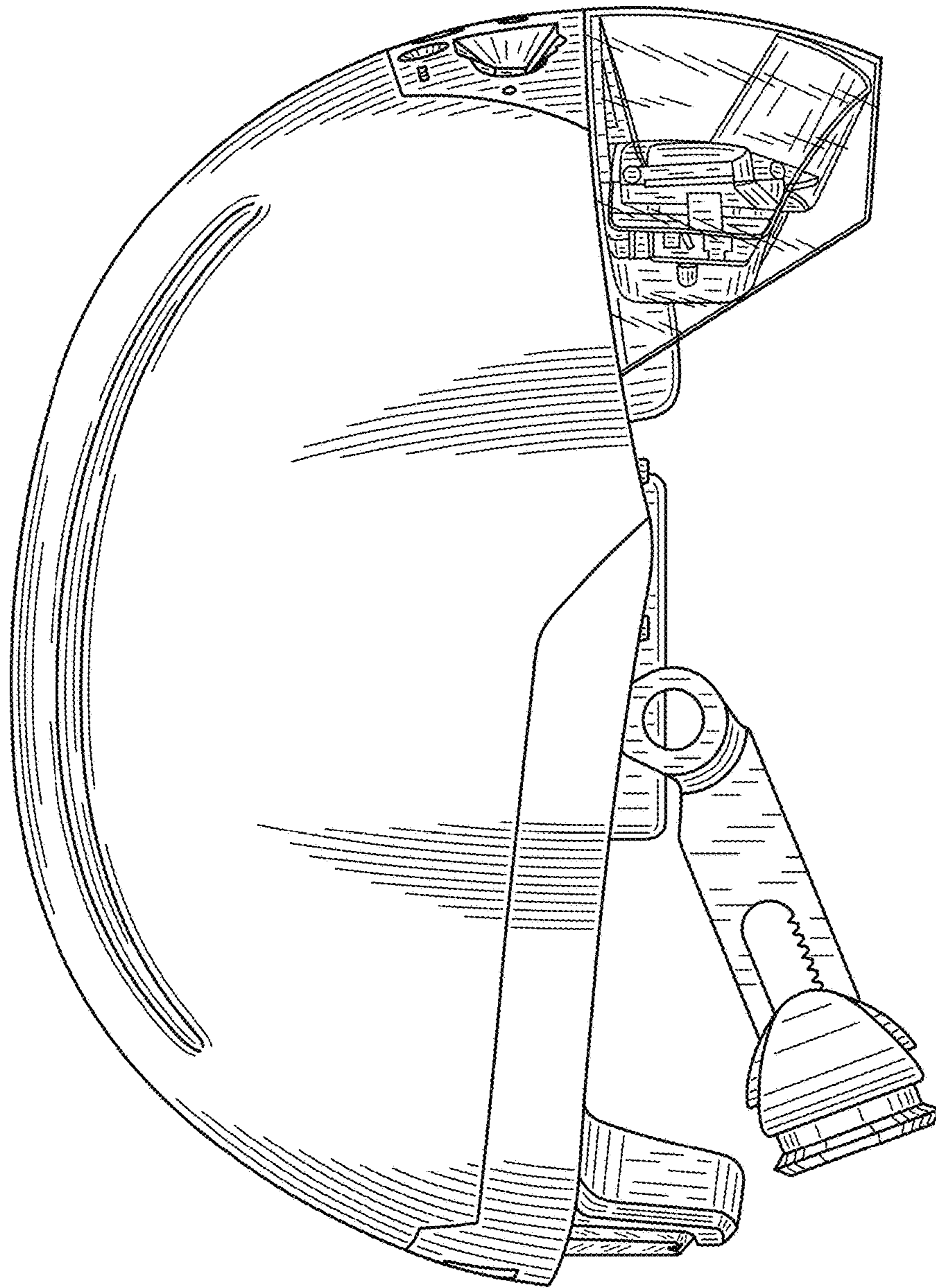


FIG. 8

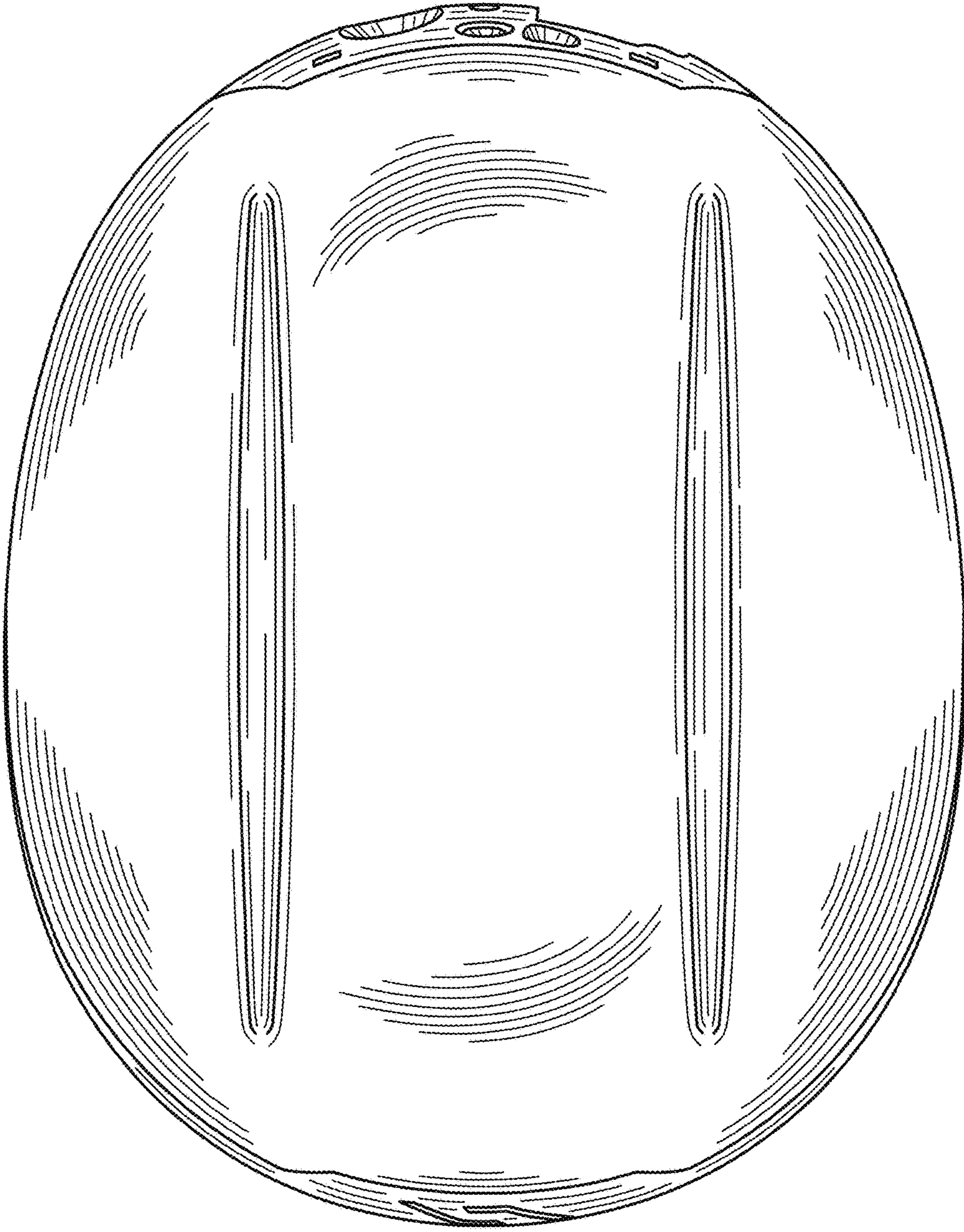


FIG. 9

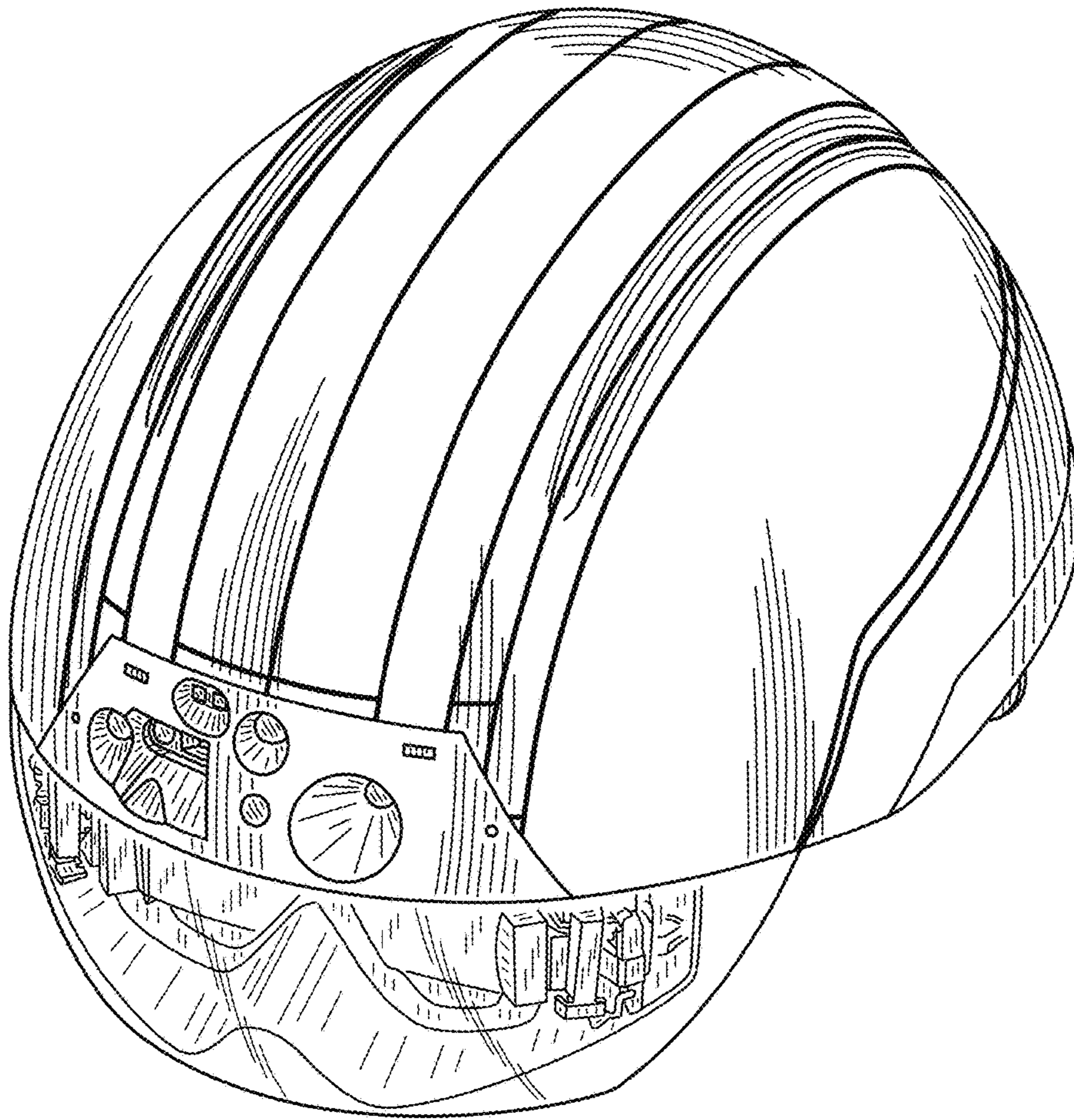


FIG. 10

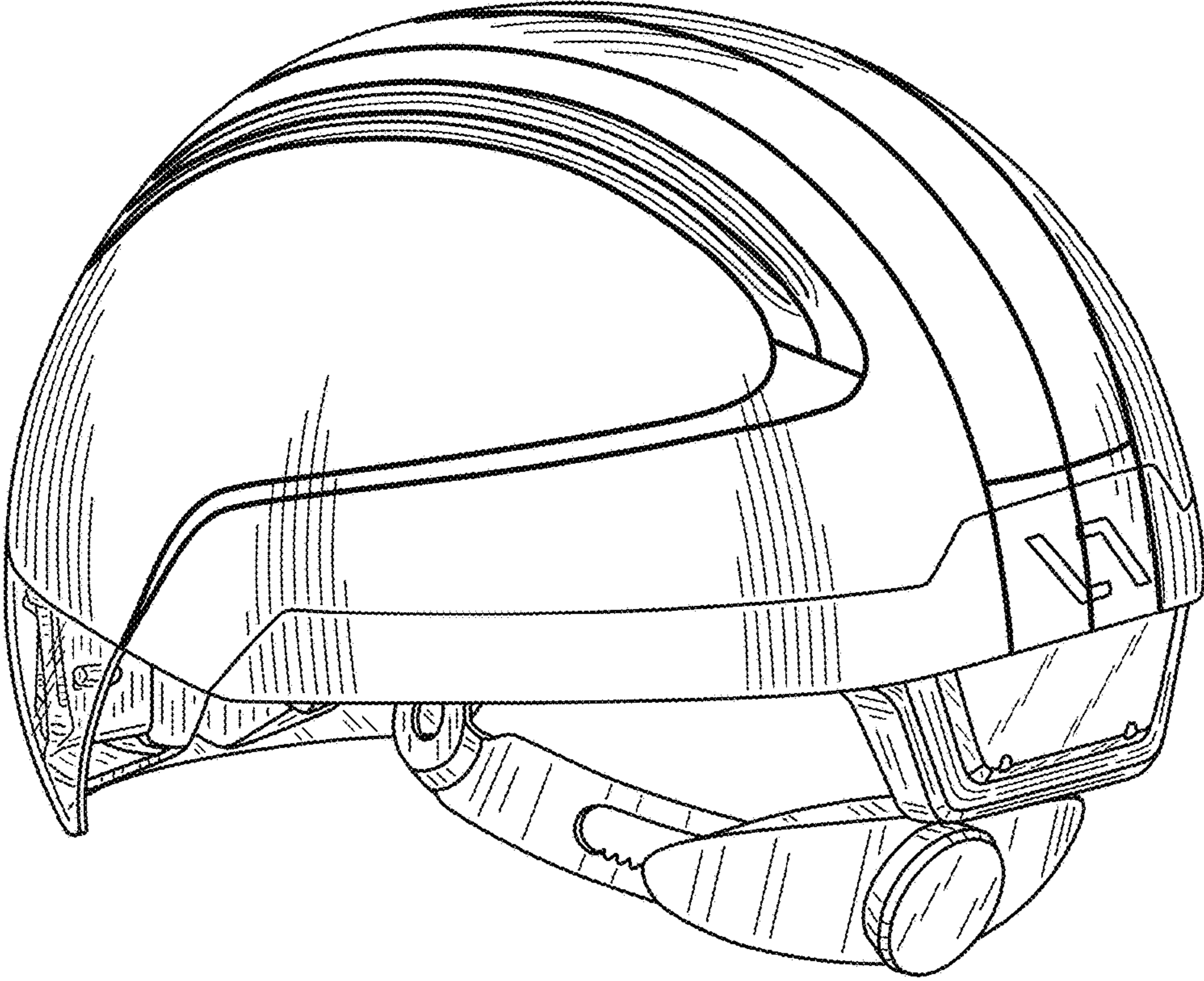


FIG. 11

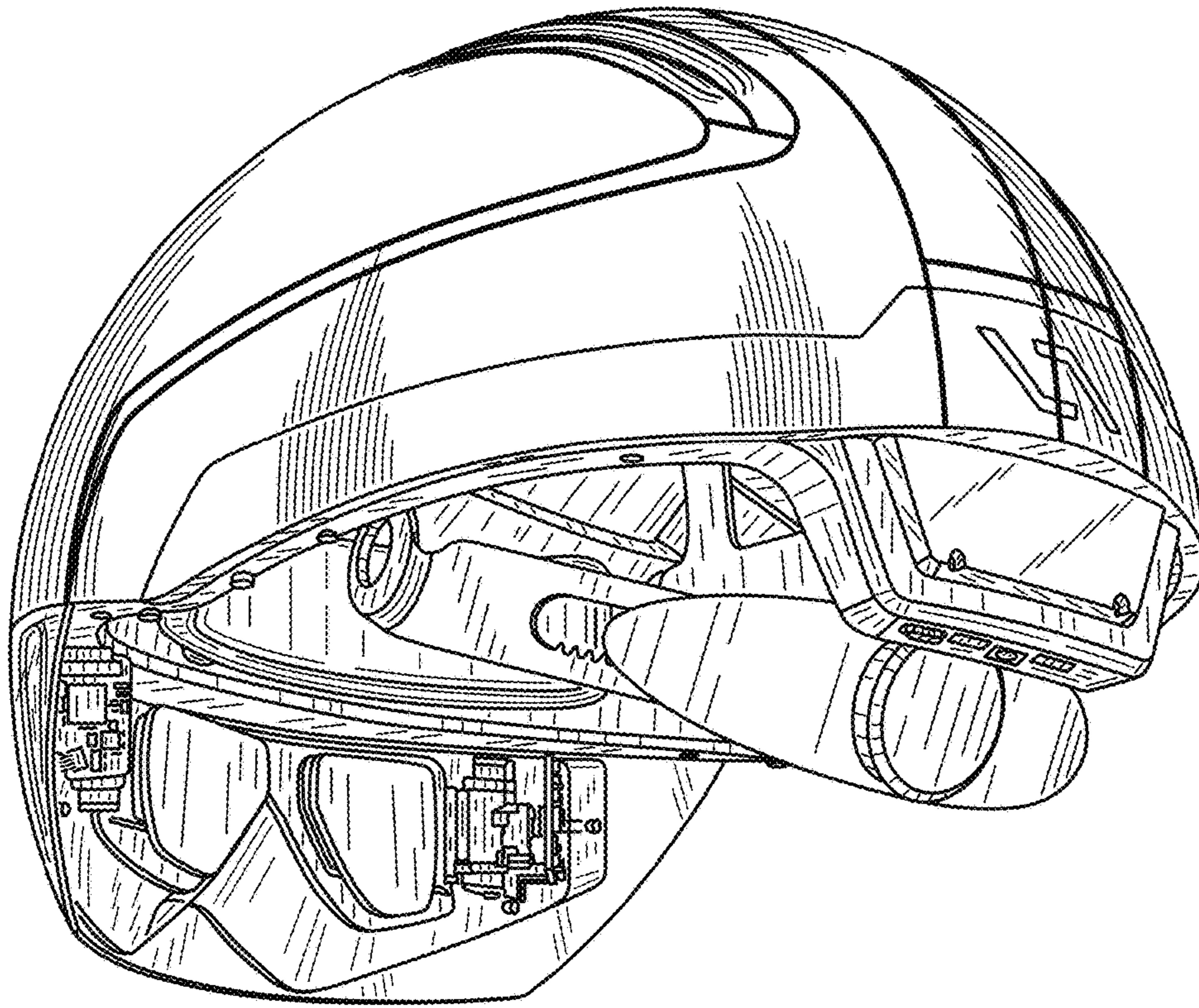


FIG. 12

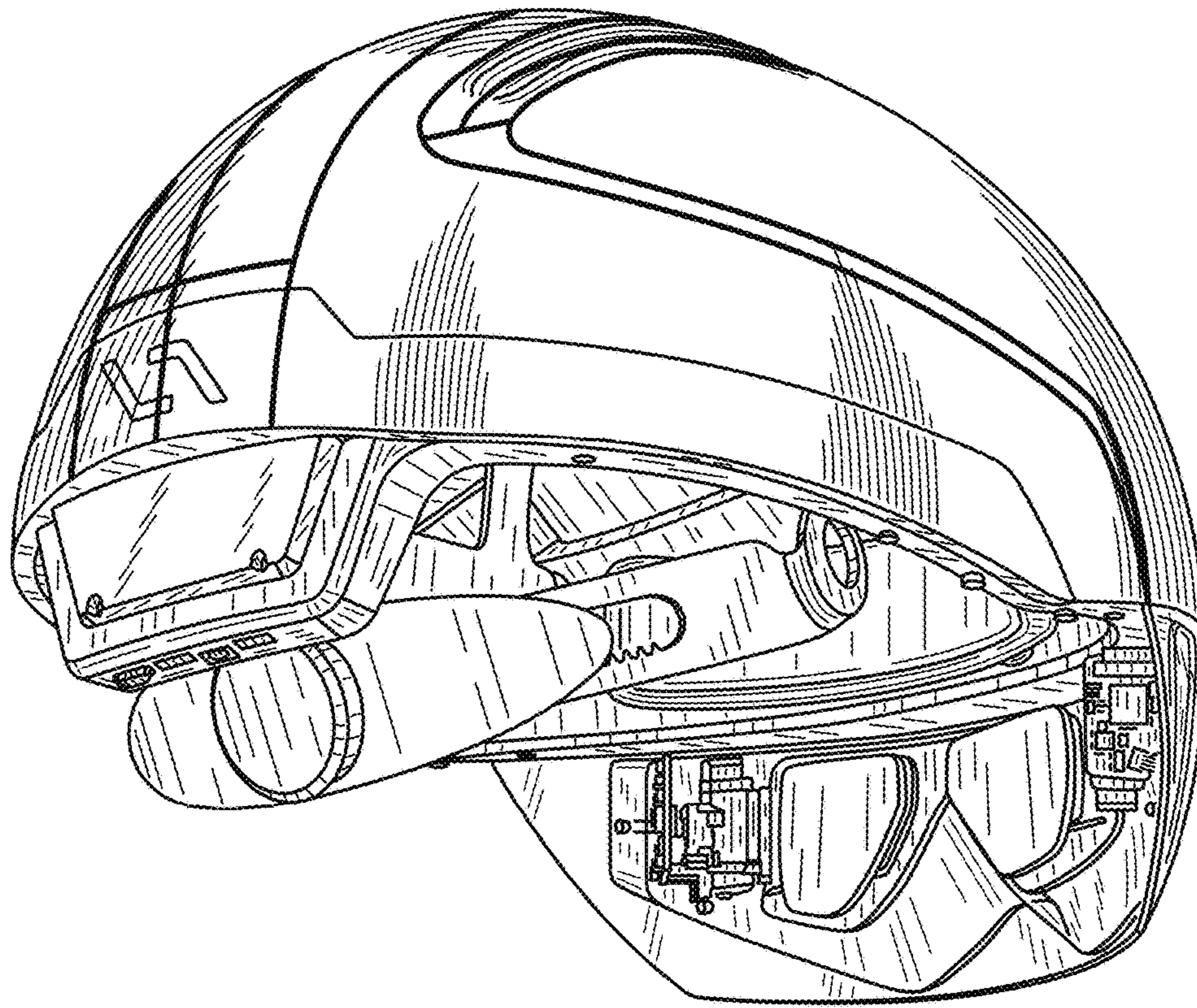


FIG. 13

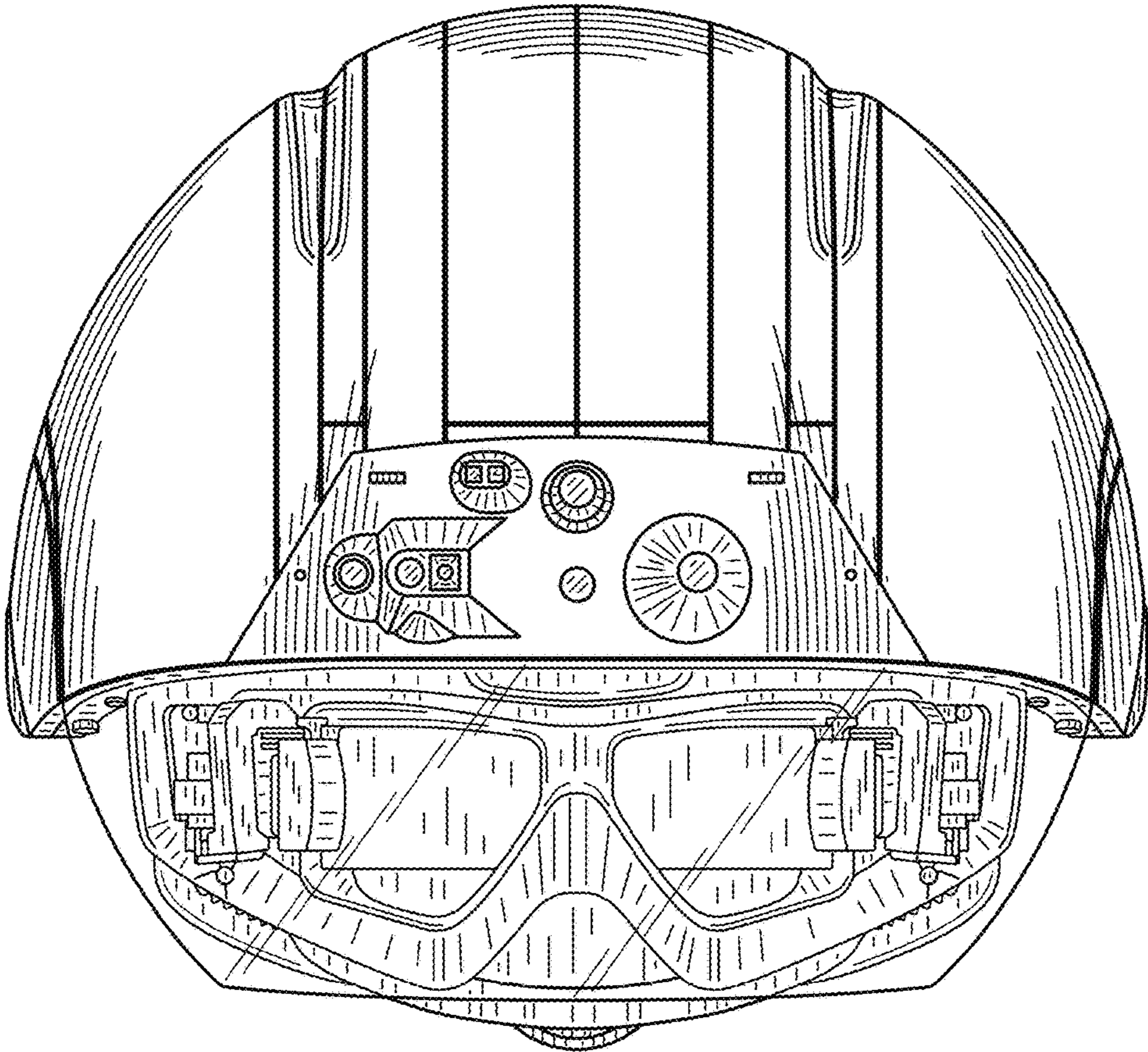


FIG. 14



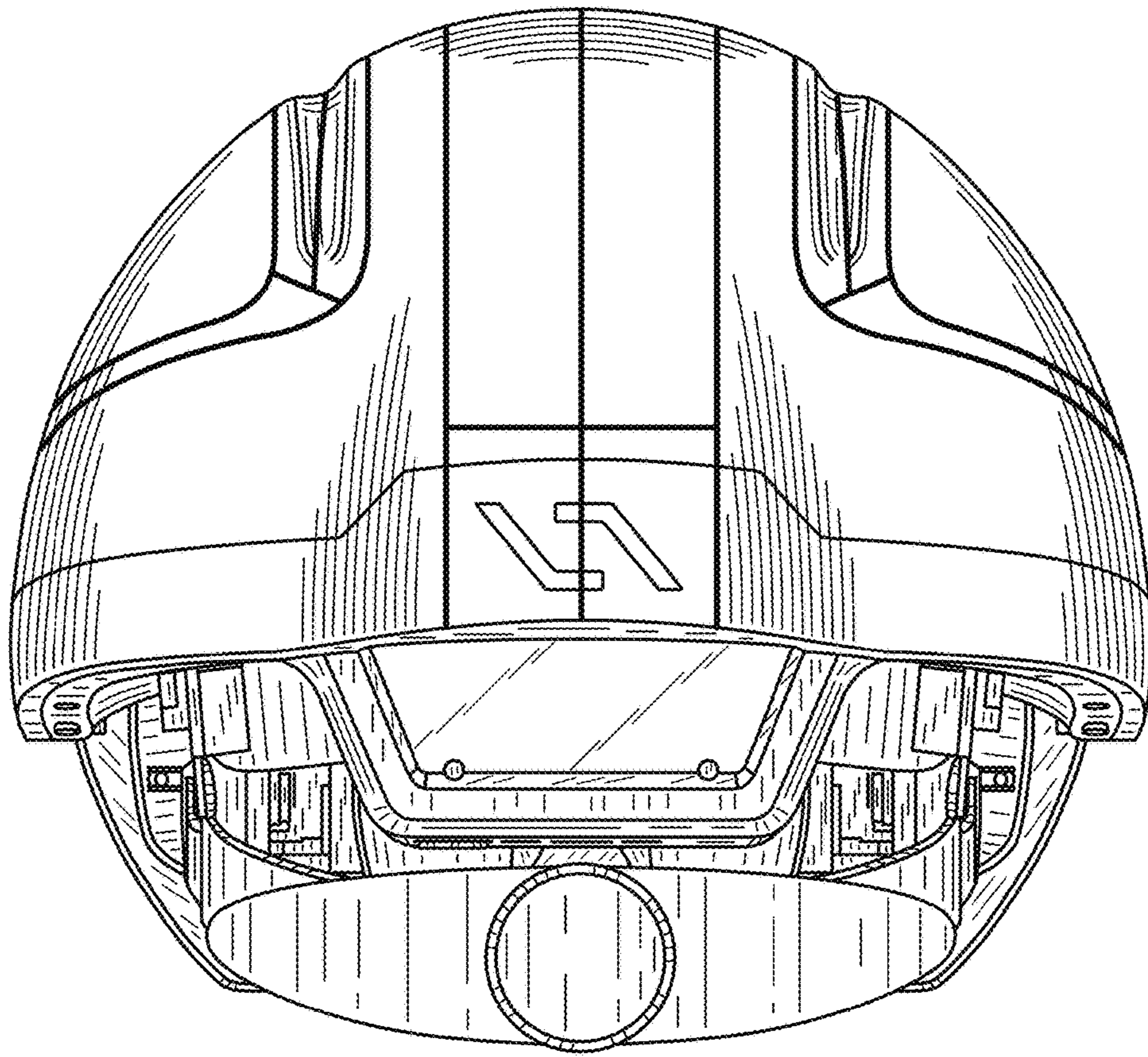


FIG. 15

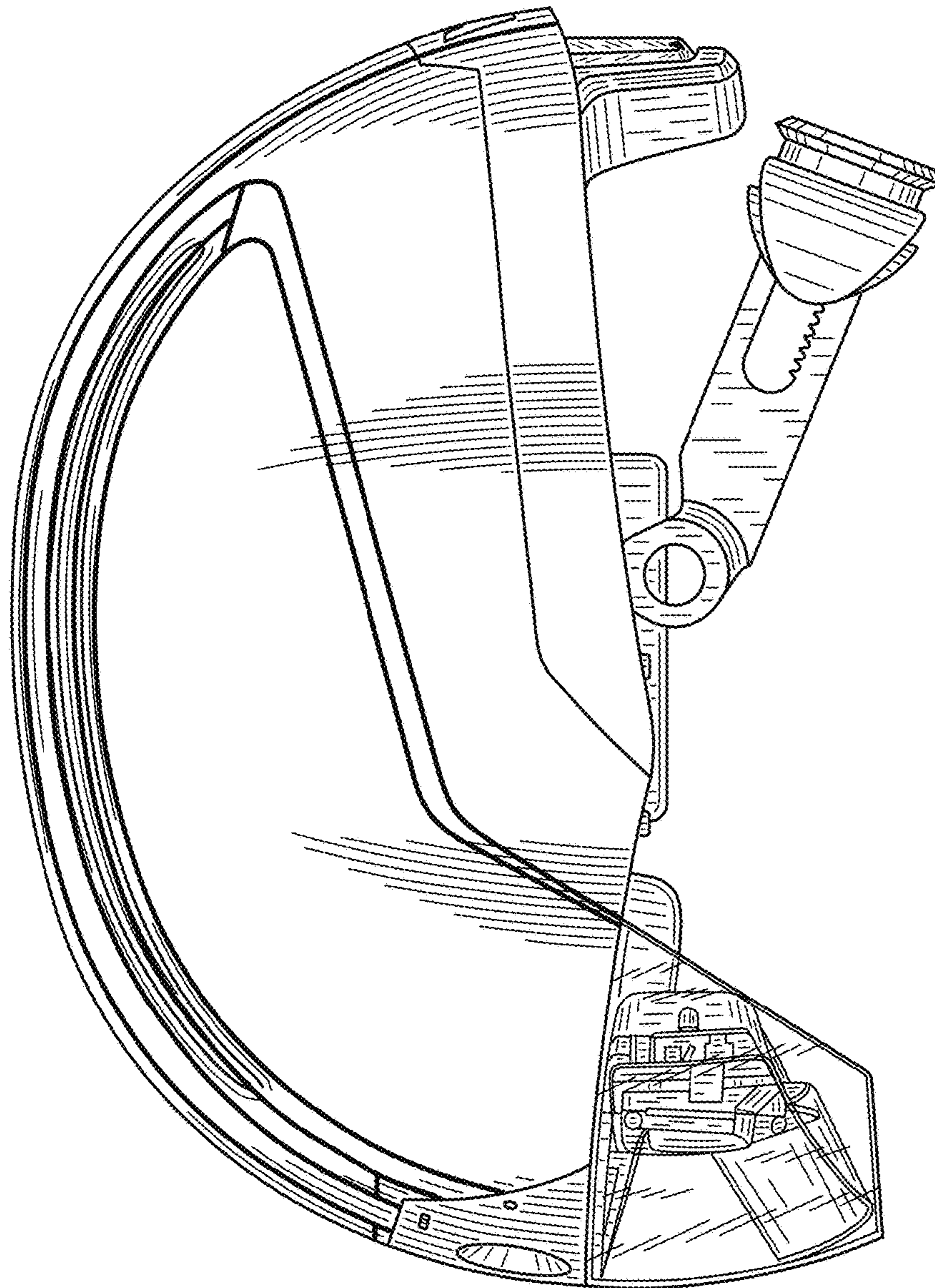


FIG. 16

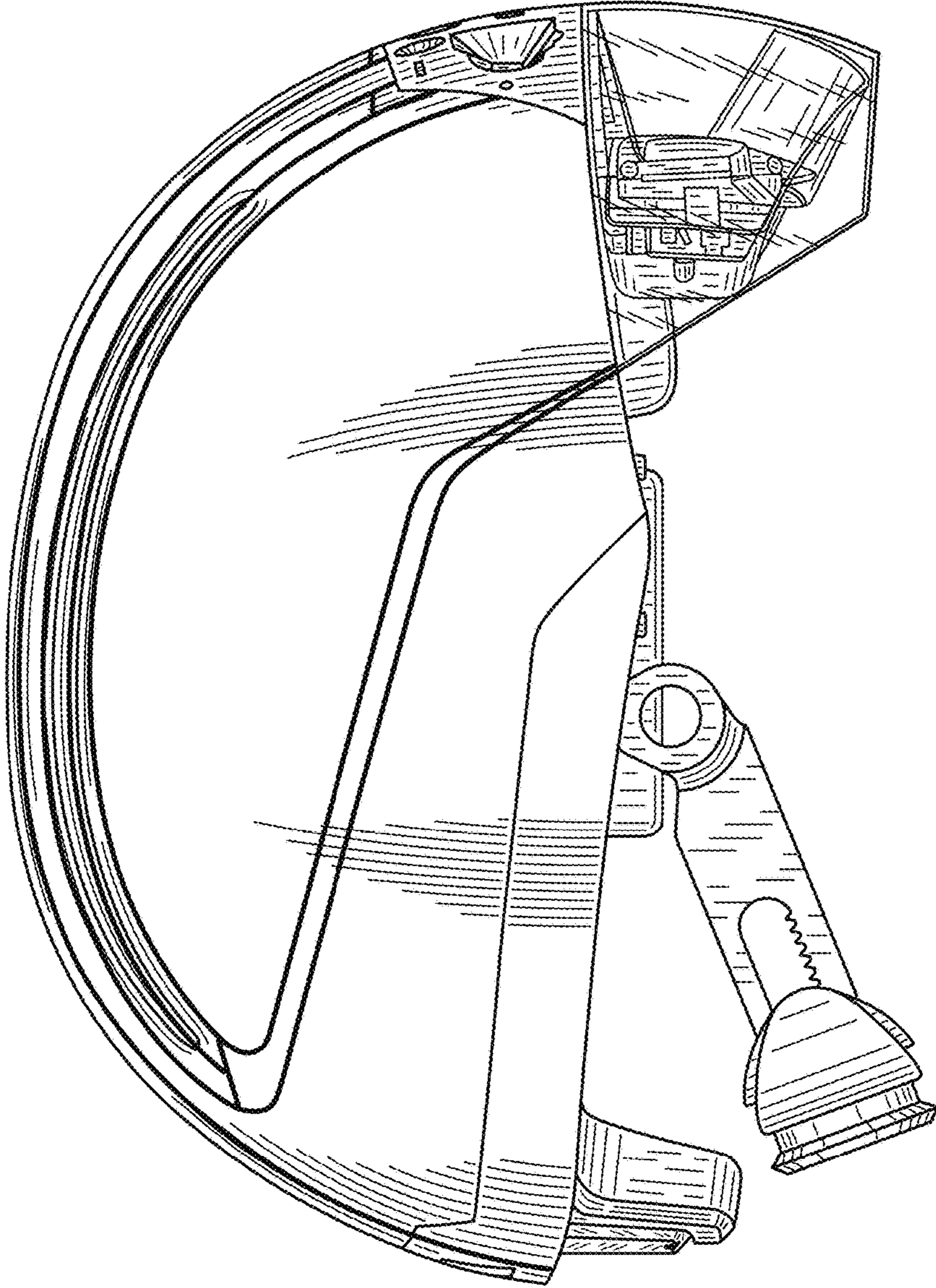


FIG. 17

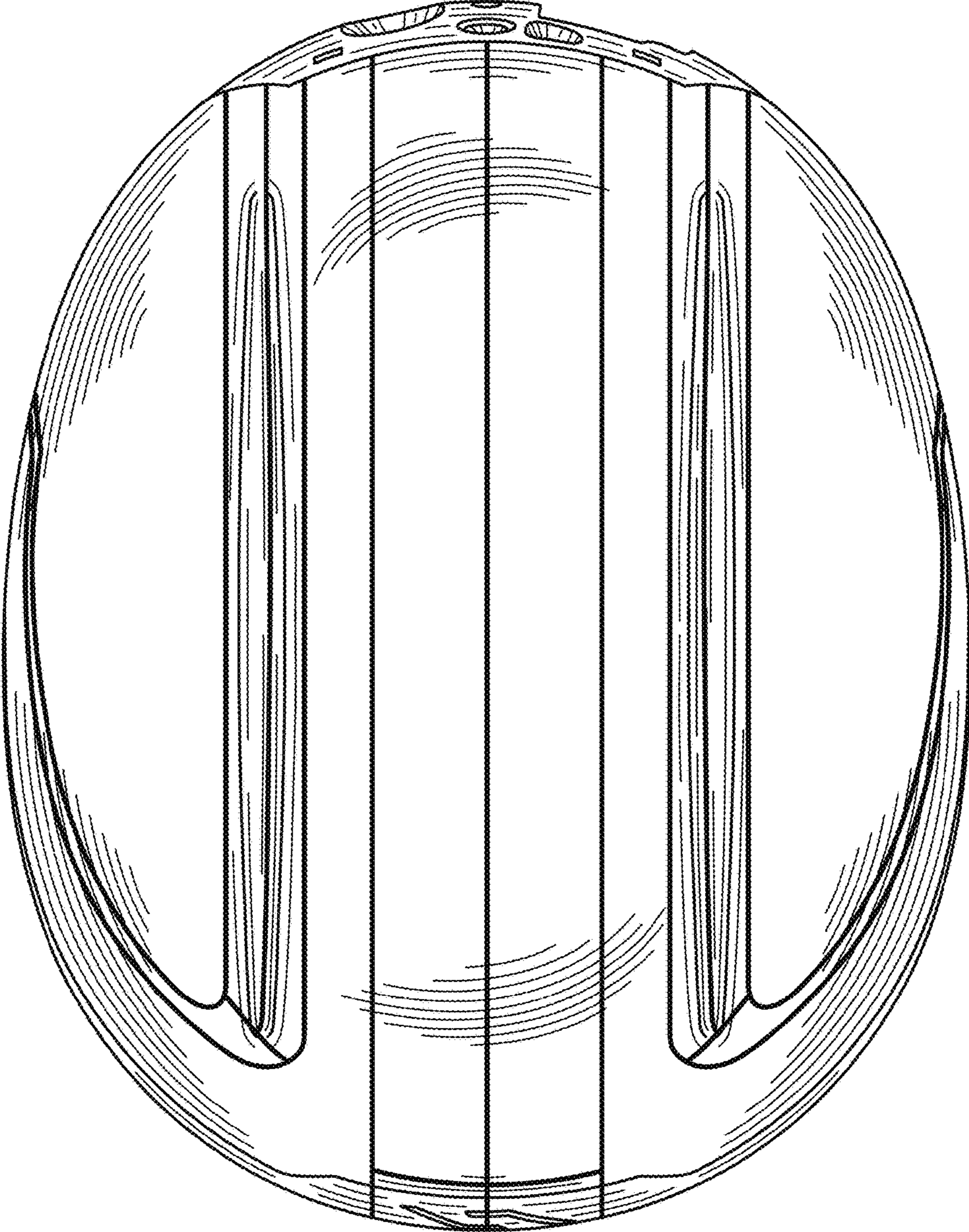


FIG. 18