



US00D801585S

(12) **United States Design Patent**  
**Doody et al.**

(10) **Patent No.:** **US D801,585 S**

(45) **Date of Patent:** **\*\* Oct. 31, 2017**

(54) **STRAP CLAW**  
(71) Applicants: **Lance A. Doody**, Vass, NC (US);  
**Matthew M. Garrison**, Southern Pines,  
NC (US)

(72) Inventors: **Lance A. Doody**, Vass, NC (US);  
**Matthew M. Garrison**, Southern Pines,  
NC (US)

(73) Assignee: **Lance A. Doody**, Vass, NC (US)

(\*\*) Term: **15 Years**

(21) Appl. No.: **29/551,678**

(22) Filed: **Jan. 15, 2016**

(51) **LOC (10) Cl.** ..... **29-02**

(52) **U.S. Cl.**  
USPC ..... **D29/101.4**

(58) **Field of Classification Search**  
USPC ..... D11/1-2, 200-201, 206-210, 214-218,  
D11/230; 24/163 R, 169-171, 173,  
24/177-179, 191, 194-195, 197, 200,  
24/614-616, 625, 198, 578.11, 578.1,  
24/163 K, 114; D22/108; 7/151, 152;  
D8/33; 224/666; D29/101.1, 101.4, 122  
CPC ..... A41D 2200/00; A41D 2200/10; A44B  
11/00; A41B 11/005; A41B 11/006; A41B  
11/25; A41B 11/16

See application file for complete search history.

(56) **References Cited**

**U.S. PATENT DOCUMENTS**

4,157,166 A \* 6/1979 Voelker ..... A45C 11/04  
224/250  
D436,438 S \* 1/2001 Frey ..... D3/247  
D453,294 S \* 2/2002 Bitzer ..... D8/395  
D631,611 S \* 1/2011 Sattler ..... D29/101.4  
7,866,813 B2 \* 1/2011 Anhalt ..... A42B 1/247  
2/209.13

8,651,443 B2 \* 2/2014 Mayer ..... G01D 5/244  
248/205.5  
8,713,764 B1 \* 5/2014 Rittenhouse ..... A45F 5/02  
24/3.11  
D706,057 S \* 6/2014 Goodman ..... D6/546

**OTHER PUBLICATIONS**

Standard 3 Row Molle Claw (for Vests and Plate Carriers), <http://www.tacticalholsters.com/product/Accessories/GCA23.html>,  
known at least as early as Jan. 14, 2016, 2 pgs.

(Continued)

*Primary Examiner* — Randall Gholson

(74) *Attorney, Agent, or Firm* — Womble Carlyle  
Sandridge & Rice, LLP

(57) **CLAIM**

We claim the ornamental design for a strap claw, as shown  
and described.

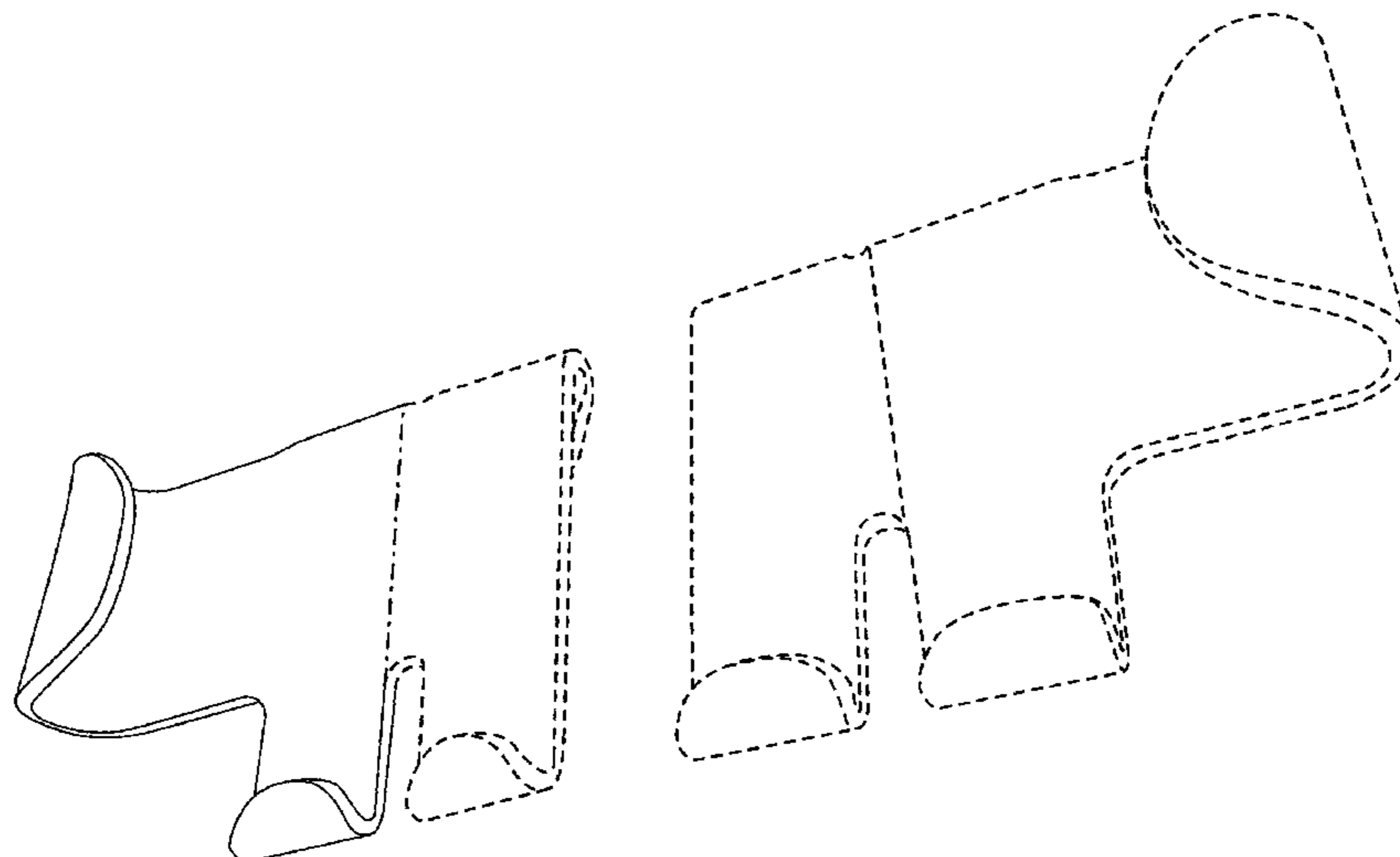
**DESCRIPTION**

FIG. 1 is a front bottom right perspective view of our new  
design;  
FIG. 2 is a top view thereof;  
FIG. 3 is a bottom view thereof;  
FIG. 4 is a front view thereof;  
FIG. 5 is a back view thereof;  
FIG. 6 is a left side view thereof;  
FIG. 7 is a right side view thereof; and,  
FIG. 8 is a front view thereof with environmental elements  
shown.

The dash-dot lines in FIGS. 1-5 and 8 represent unclaimed  
boundary lines of the claimed design. The dash-dash lines in  
the Figures represent optional elements or portions of the  
strap claw that form no part of the claimed design.

The additional dash-dash lines in FIG. 8 represent environ-  
mental elements that form no part of the claimed design.

**1 Claim, 6 Drawing Sheets**



(56)

**References Cited**

OTHER PUBLICATIONS

S.T.R.I.K.E. Platform Ambidextrous, <http://blackhawk.com/Products/Holsters-Duty-Gear/Holsters/Accessories/Platforms/S-T-R-I-K-E-%C2%AE-Platform-Ambidextrous.aspx>, known at least as early as Jan. 14, 2016, 7 pgs.

Mystery Cinch, <http://www.mysteryranch.com/mystery-cinch>, known at least as early as Jan. 14, 2016, 4 pgs.

CTOMS Paris (Pack to Armor Rapid Integration System), <http://ctoms.ca/paris.html?search=products>, known at least as early as Jan. 14, 2016, 1 pg.

\* cited by examiner

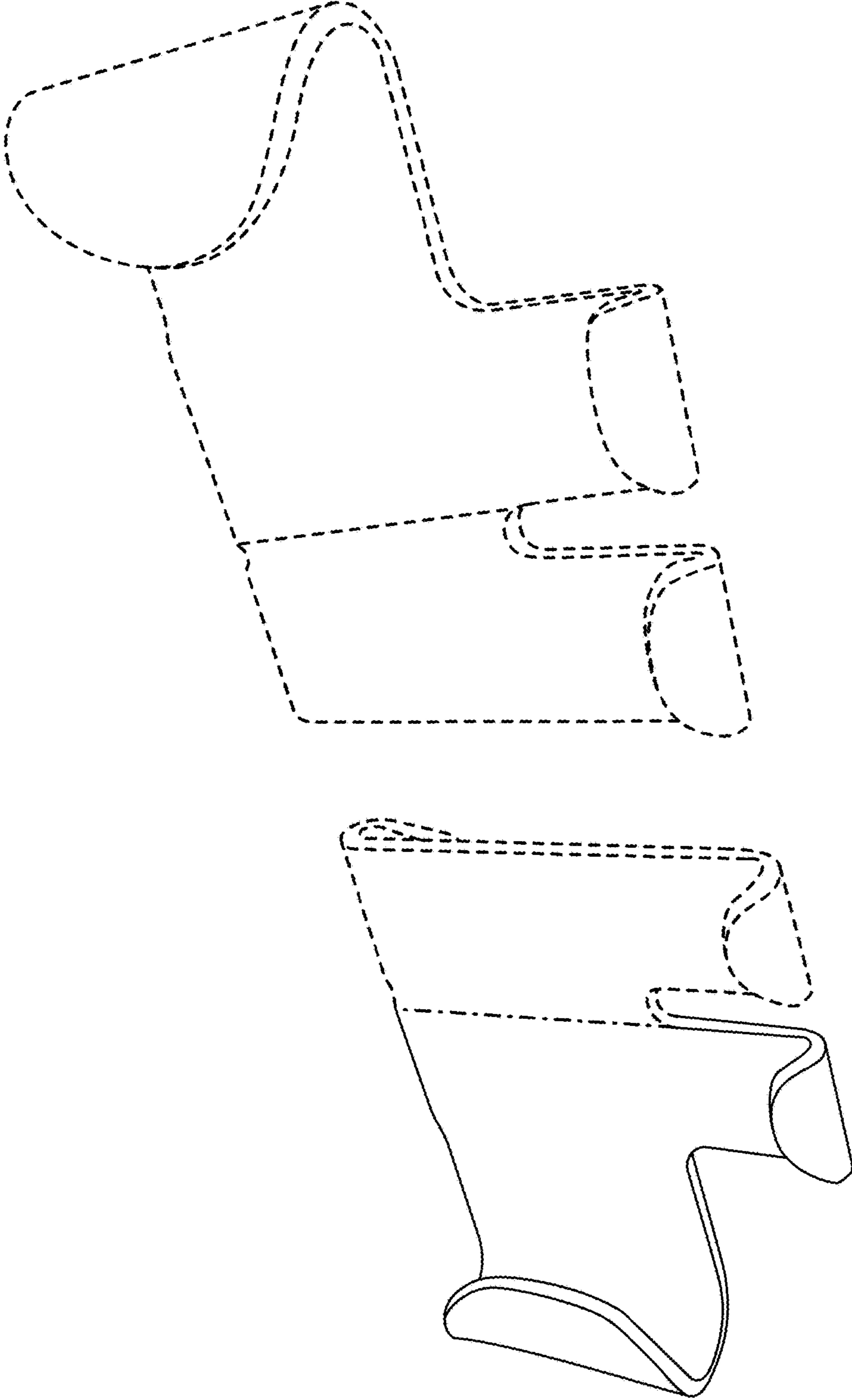


FIG. 1

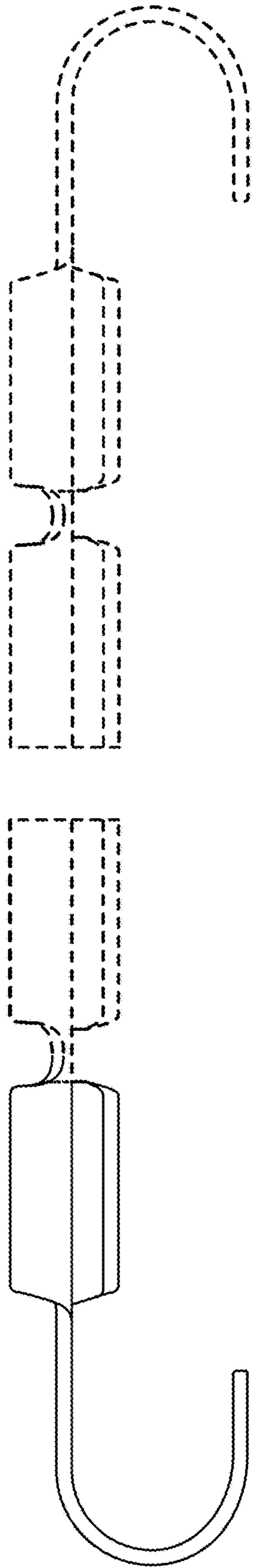


FIG. 2

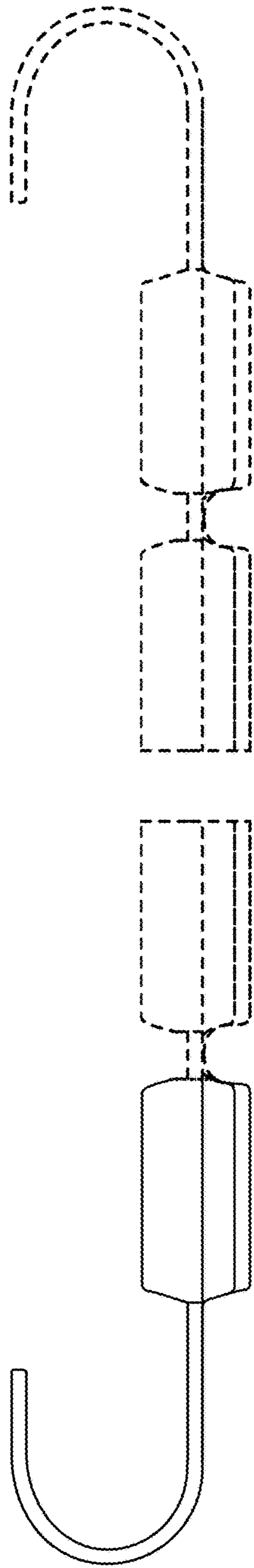


FIG. 3

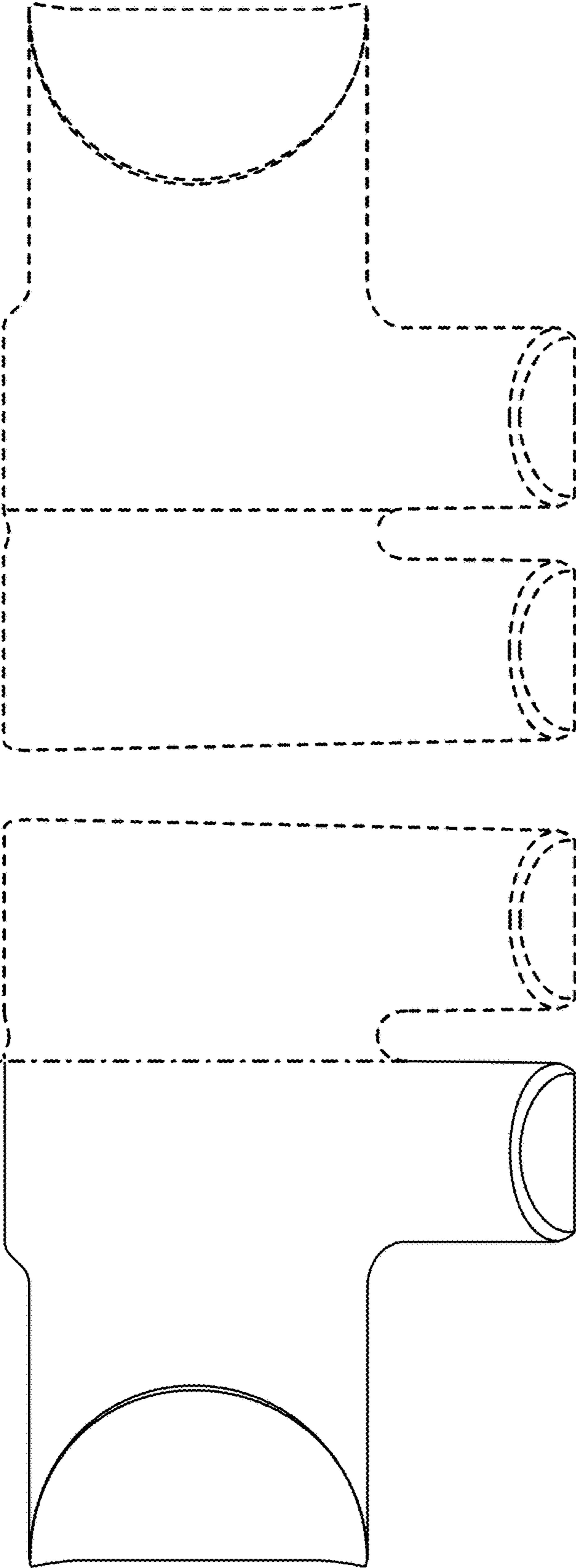


FIG. 4

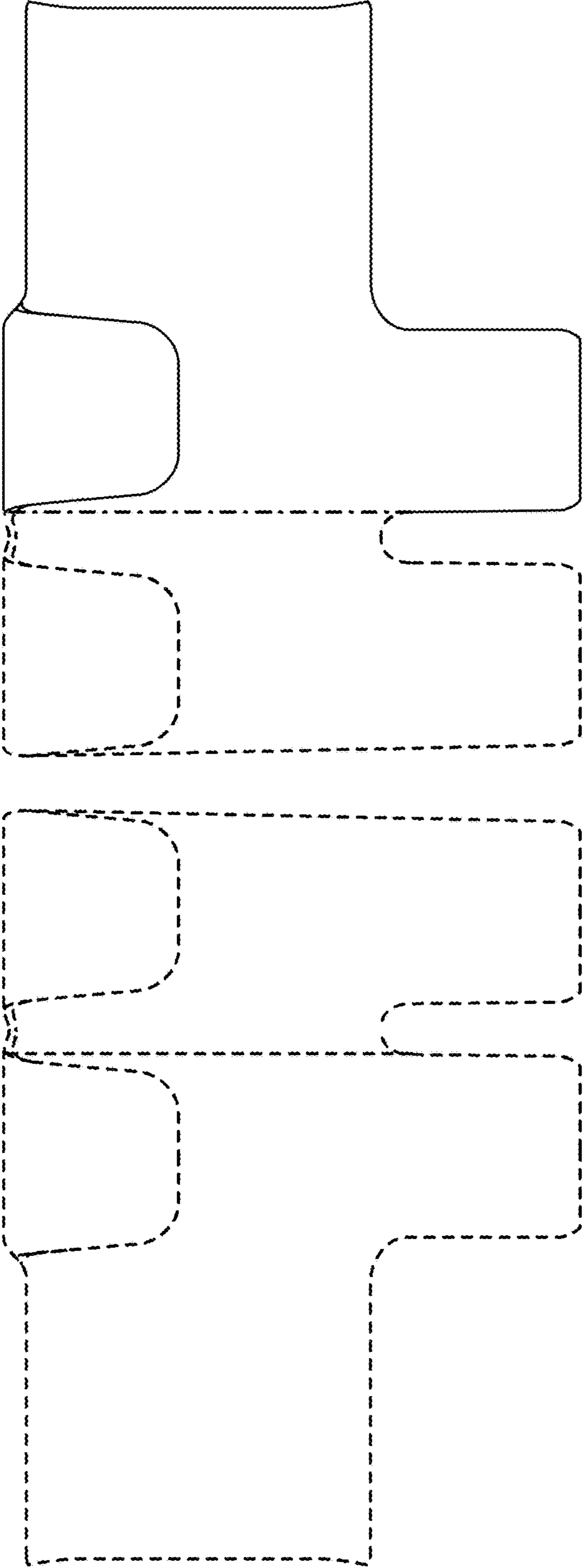


FIG. 5

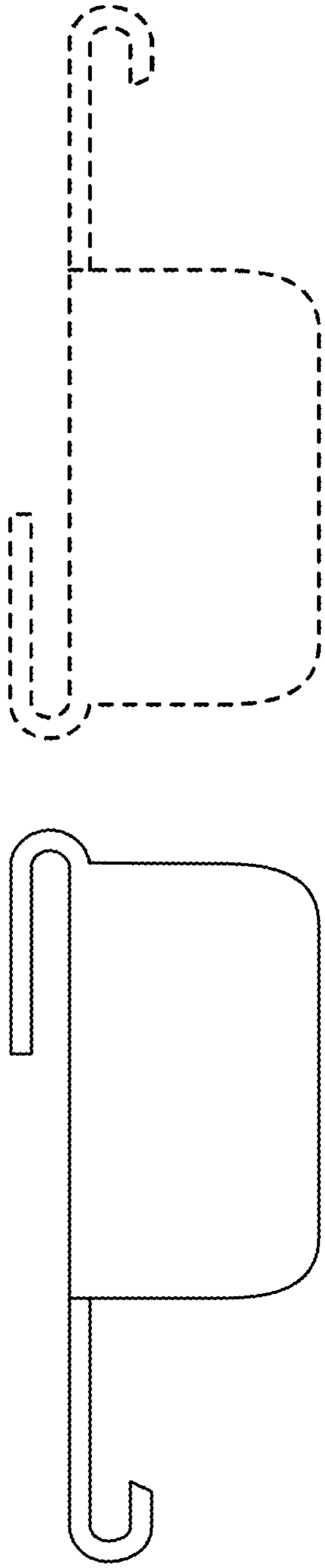


FIG. 6

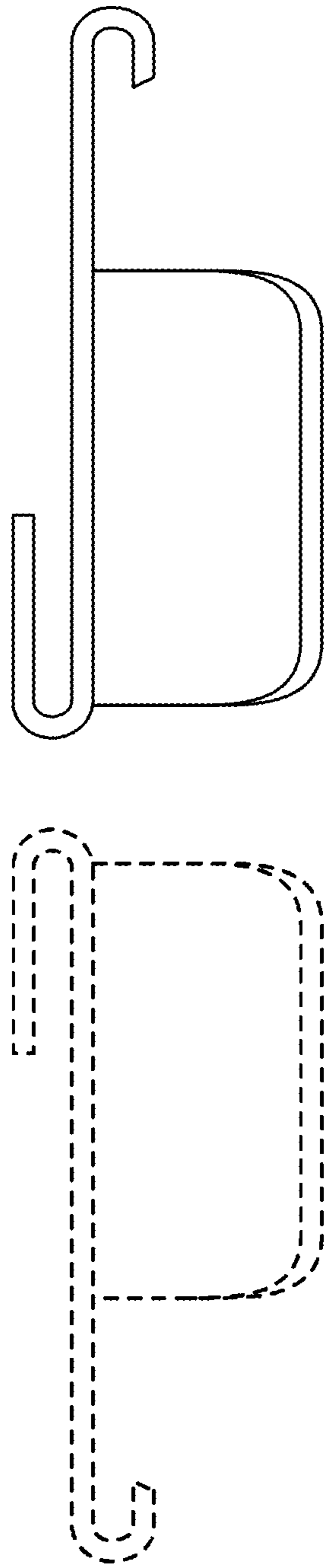


FIG. 7

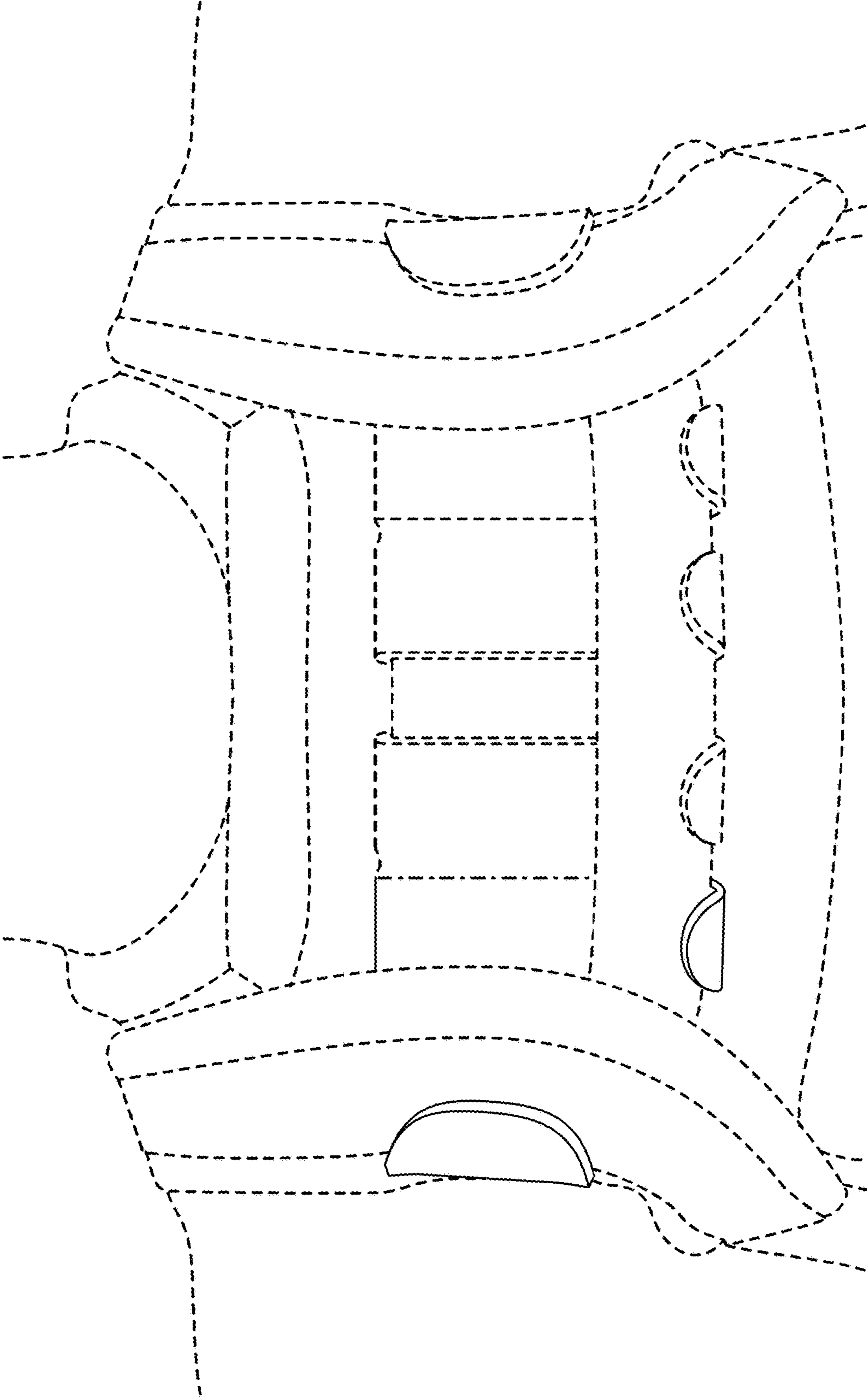


FIG. 8