



US00D801583S

(12) **United States Design Patent**
Wade et al.

(10) **Patent No.:** **US D801,583 S**
(45) **Date of Patent:** **** Oct. 31, 2017**

- (54) **FOOT CARE DEVICE**
- (71) Applicant: **Soniped LLC**, Salt Lake City, UT (US)
- (72) Inventors: **Jason Peter Wade**, Salt Lake City, UT (US); **Steven Derrick Porter**, Salt Lake City, UT (US); **Logan Mills Woolley**, Salt Lake City, UT (US)
- (73) Assignee: **SONIPED, LLC**, Salt Lake City, UT (US)
- (**) Term: **15 Years**
- (21) Appl. No.: **29/552,952**
- (22) Filed: **Jan. 27, 2016**

5,056,507 A * 10/1991 Yum A61H 7/001
601/136
D324,778 S * 3/1992 Whittington D28/63
D363,378 S * 10/1995 Fredricks D28/63
D430,357 S * 8/2000 Nash D28/63
D439,016 S * 3/2001 Syran D28/63
D455,867 S * 4/2002 Pratt D28/63
D463,625 S * 9/2002 Chau D28/63

* cited by examiner

Primary Examiner — Manpreet Matharu

Assistant Examiner — Rebecca Tsehaye

(74) *Attorney, Agent, or Firm* — Workman Nydegger

Related U.S. Application Data

- (63) Continuation of application No. 29/524,779, filed on Apr. 23, 2015.

(51) **LOC (10) Cl.** **28-03**

(52) **U.S. Cl.**
USPC **D28/63**

(58) **Field of Classification Search**

USPC D28/63; D4/119, 124, 126, 136, 120;
D32/43, 47; 601/104, 136; 4/622, 621,
4/604, 606, 601, 104
CPC A61B 21/4015; A61H 15/00;
A61H 2205/12; A61H 2205/125;
A61F 5/00

See application file for complete search history.

(56) **References Cited**

U.S. PATENT DOCUMENTS

D280,868 S * 10/1985 Russell D24/212
4,807,602 A * 2/1989 Scarborough A61H 9/00
601/104

(57) **CLAIM**

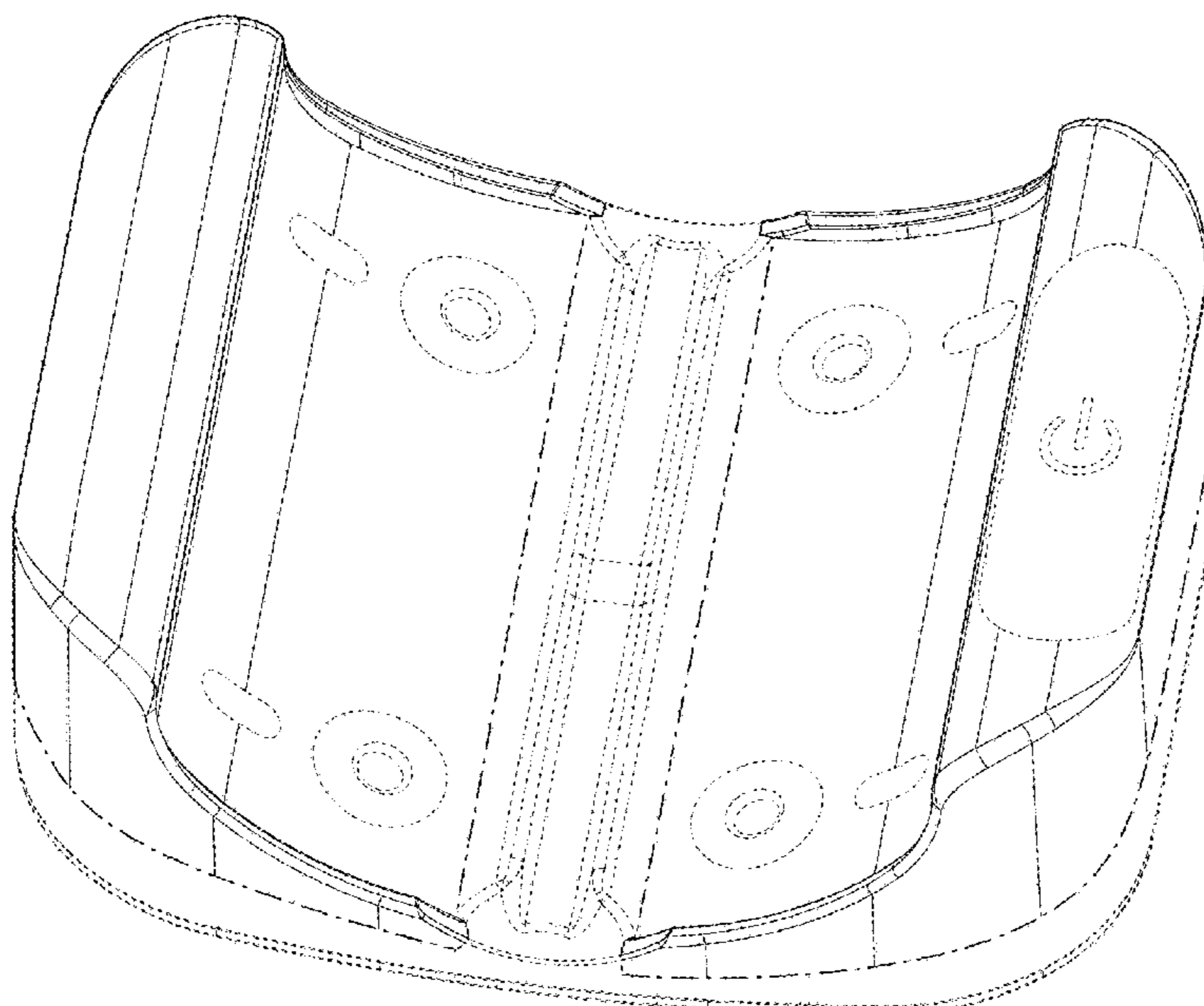
The ornamental design for a foot care device, as shown and described.

DESCRIPTION

FIG. 1 is a top, front perspective view of a foot care device; FIG. 2 is a front elevation view thereof; FIG. 3 is a rear elevation view thereof; FIG. 4 is a right side elevation view thereof; FIG. 5 is a left side elevation view thereof; FIG. 6 is a top plan view thereof; and, FIG. 7 is a bottom plan view thereof.

The broken lines depicted in FIGS. 1-7 illustrate portions of the foot care device that form no part of the claimed design. The alternating long and short dashed lines represent boundary lines between claimed and unclaimed subject areas, whereas the even dashes represent unclaimed environmental subject matter.

1 Claim, 5 Drawing Sheets



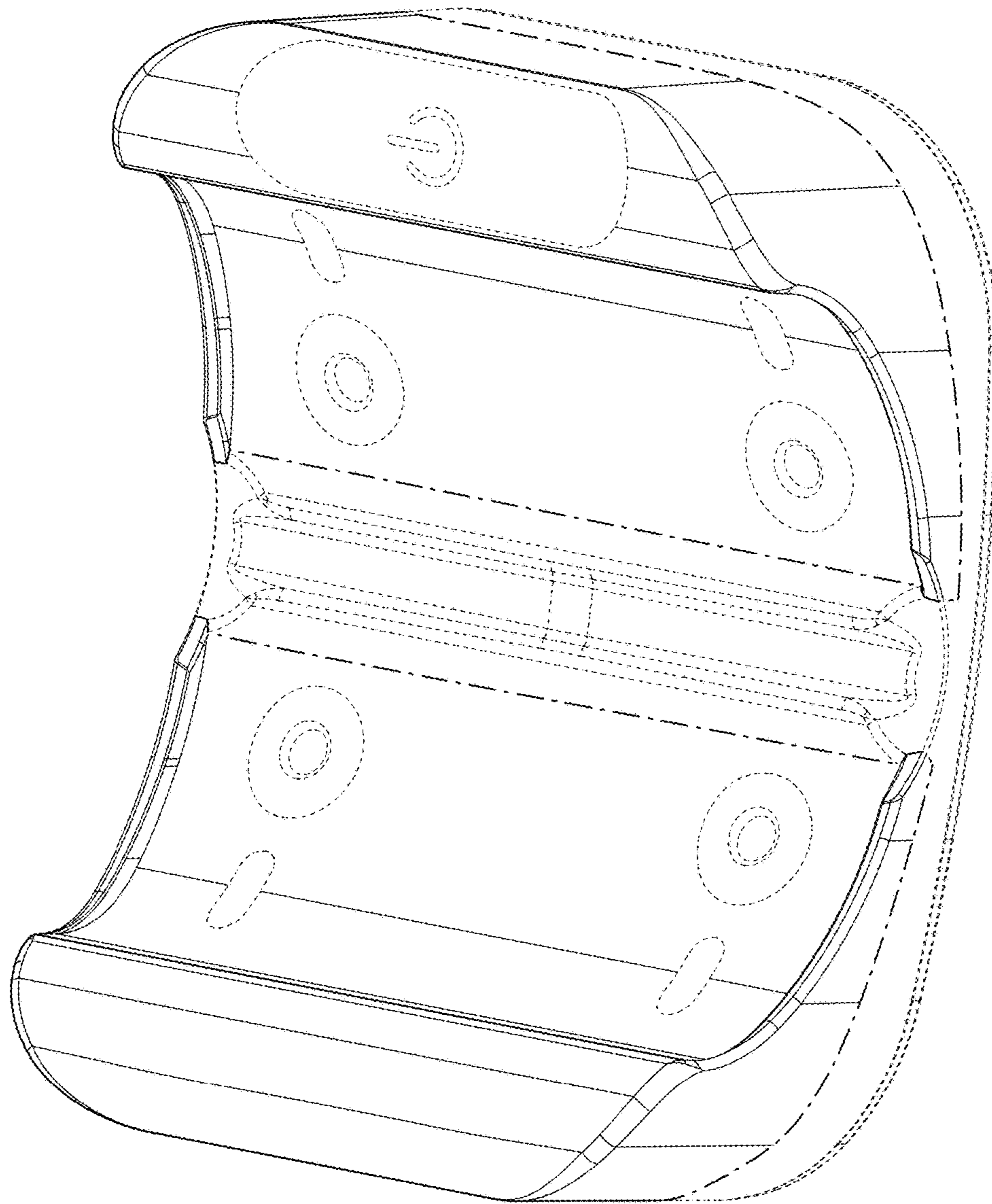


FIG. 1

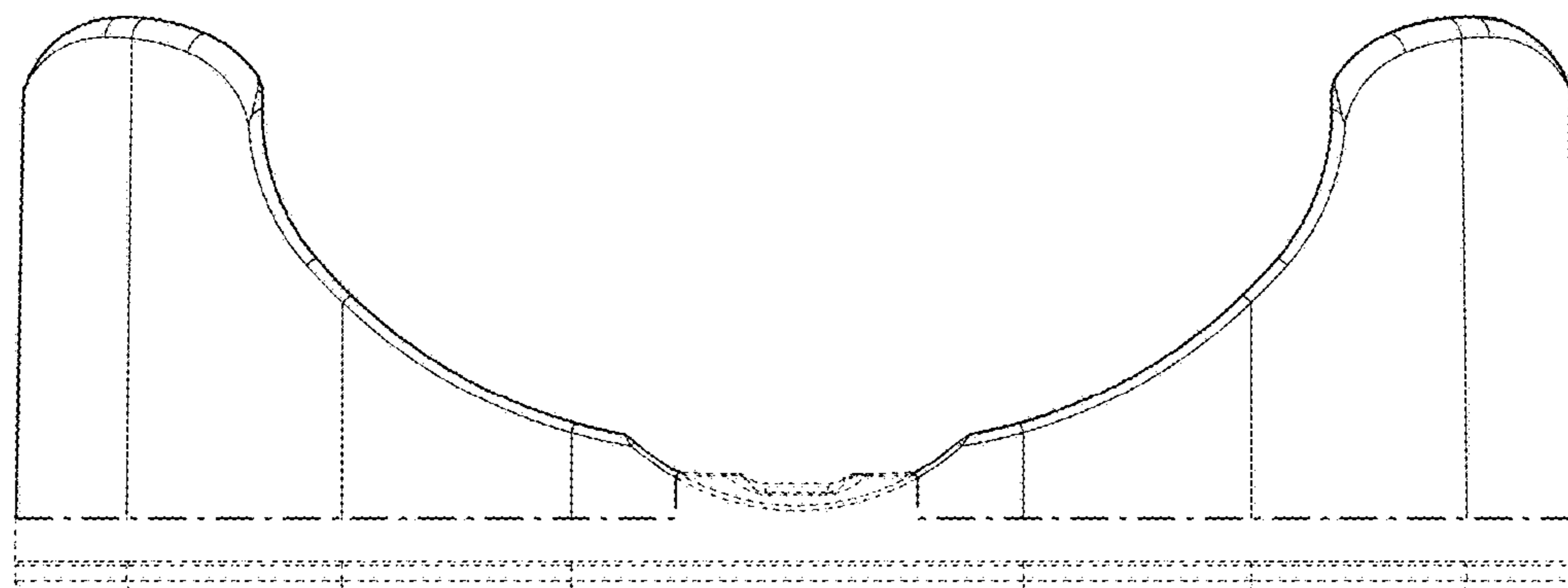


FIG. 2

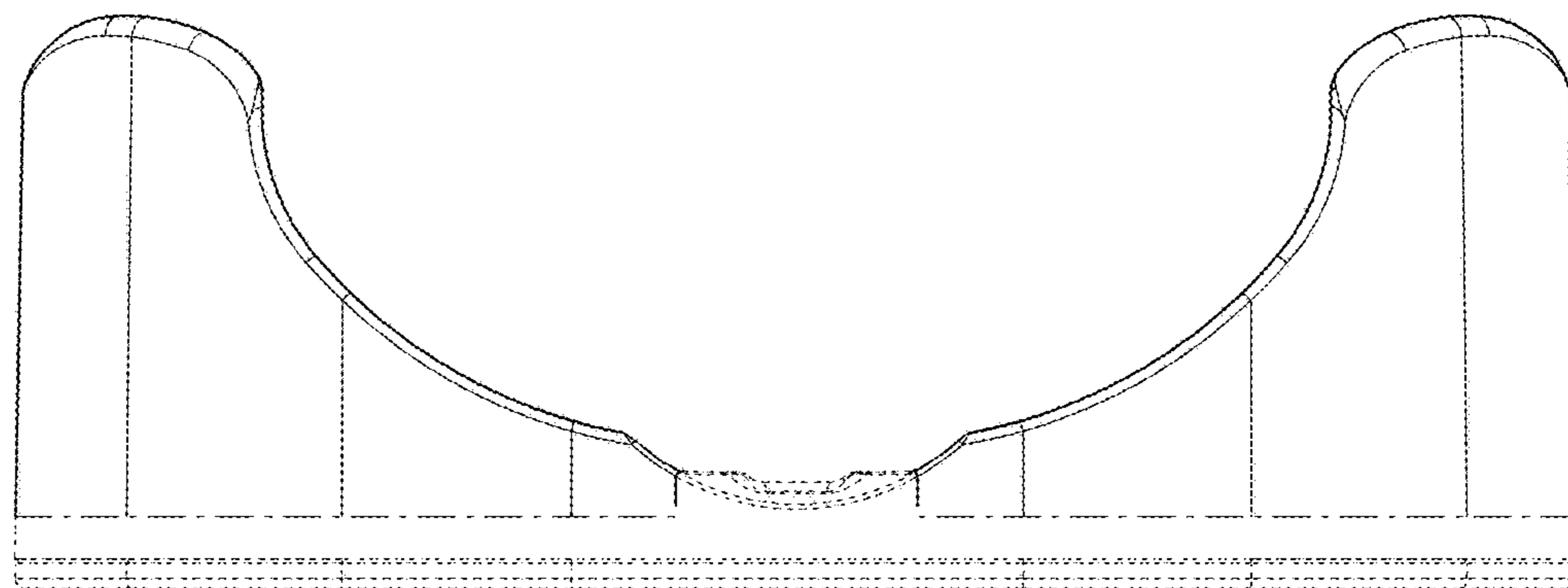


FIG. 3

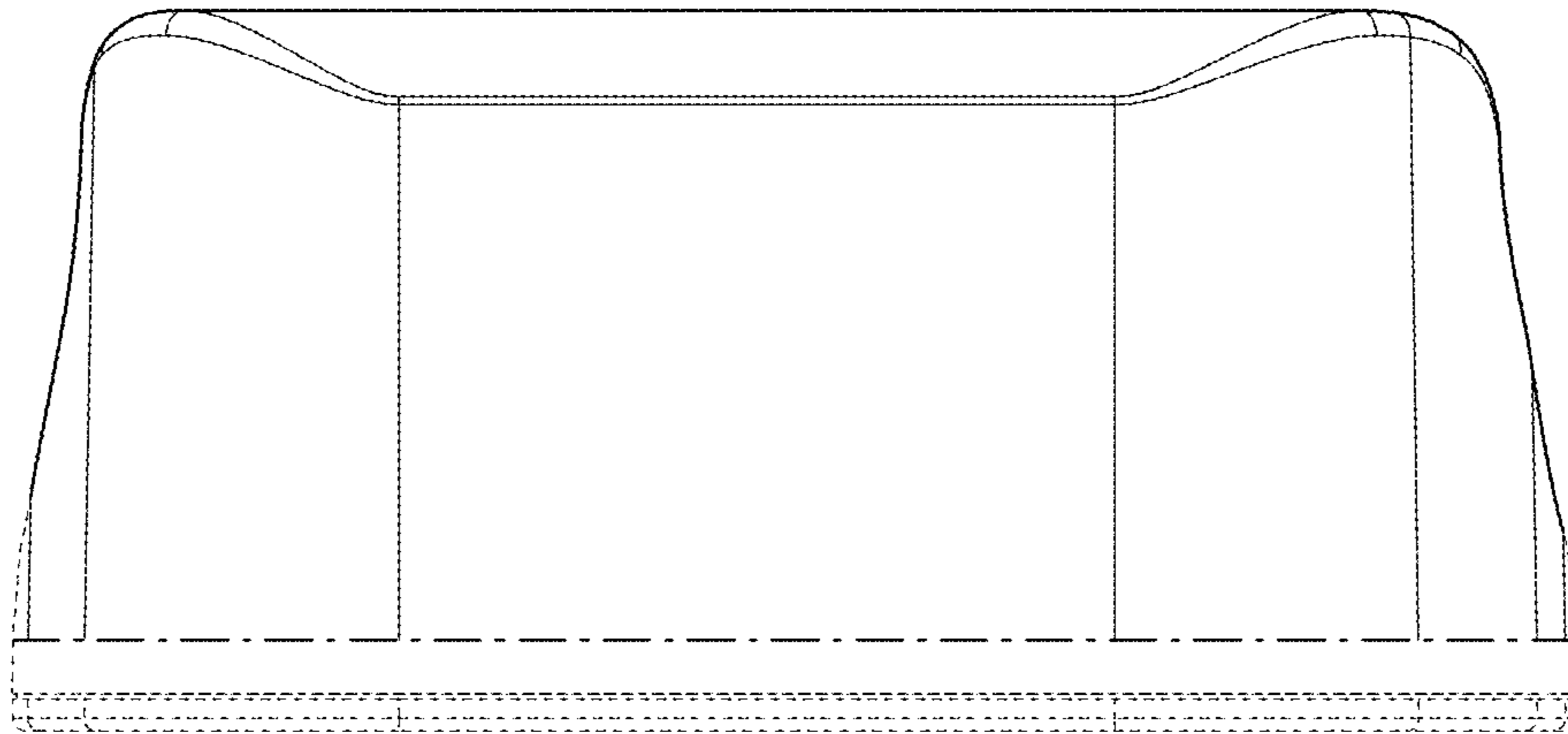


FIG. 4

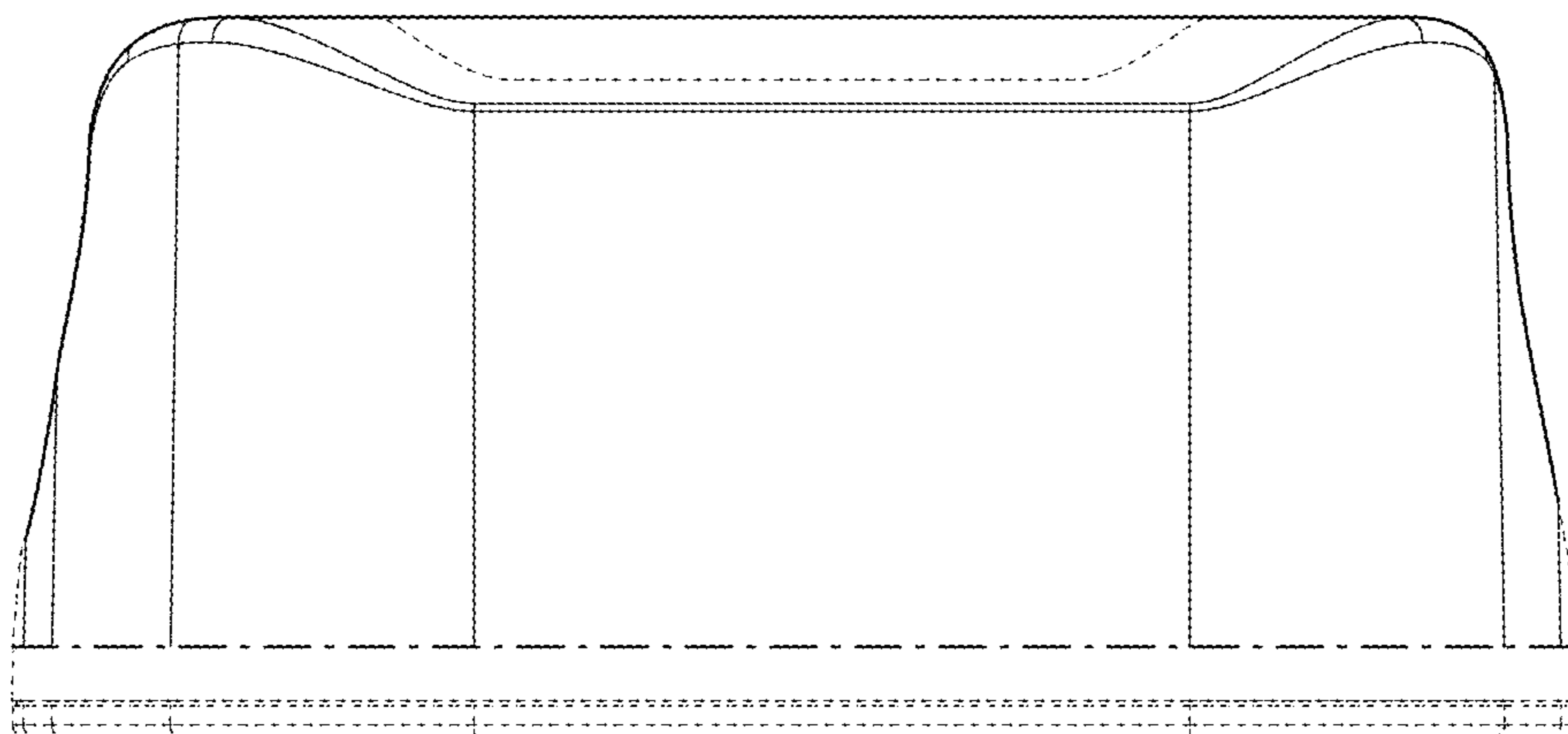


FIG. 5

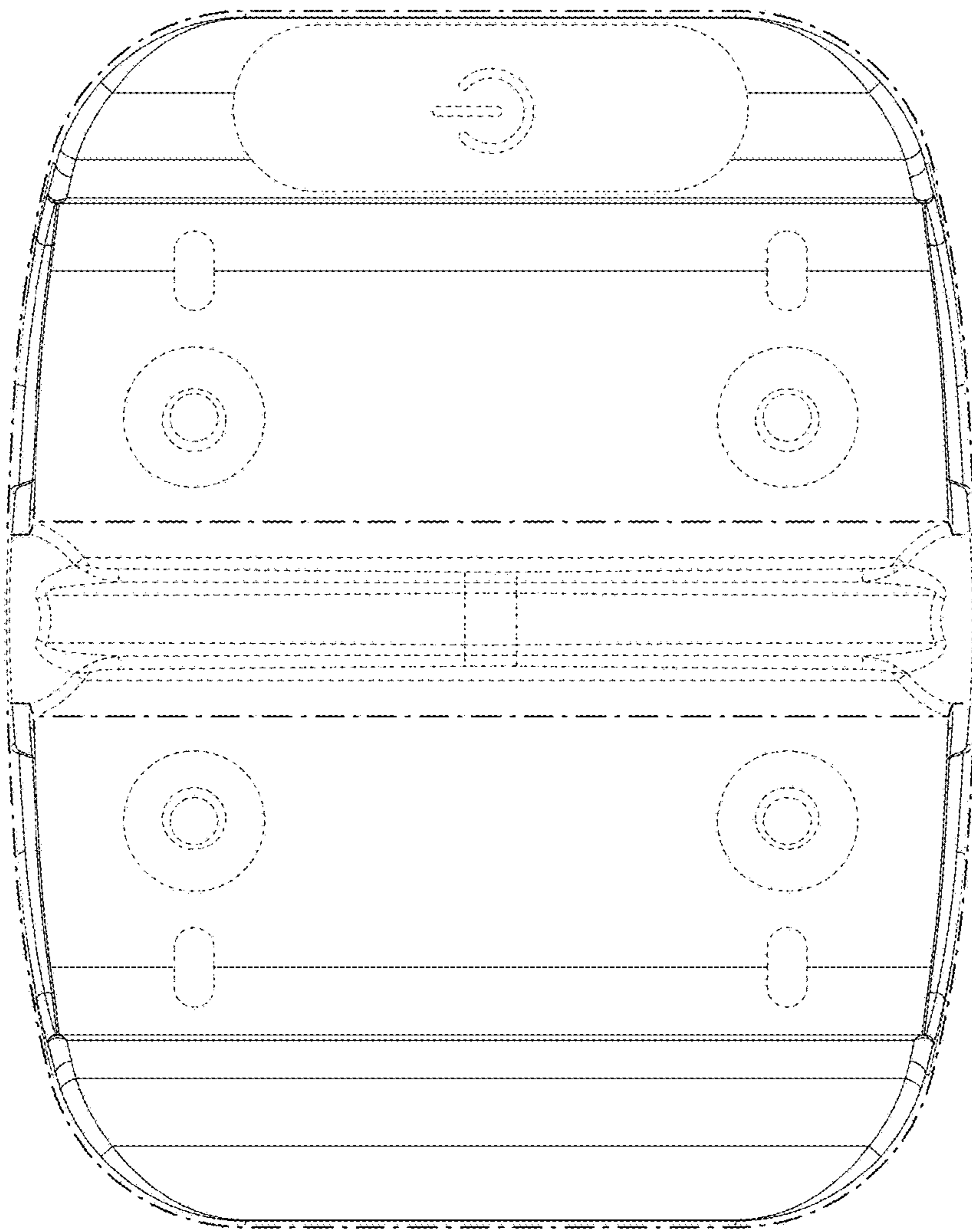


FIG. 6

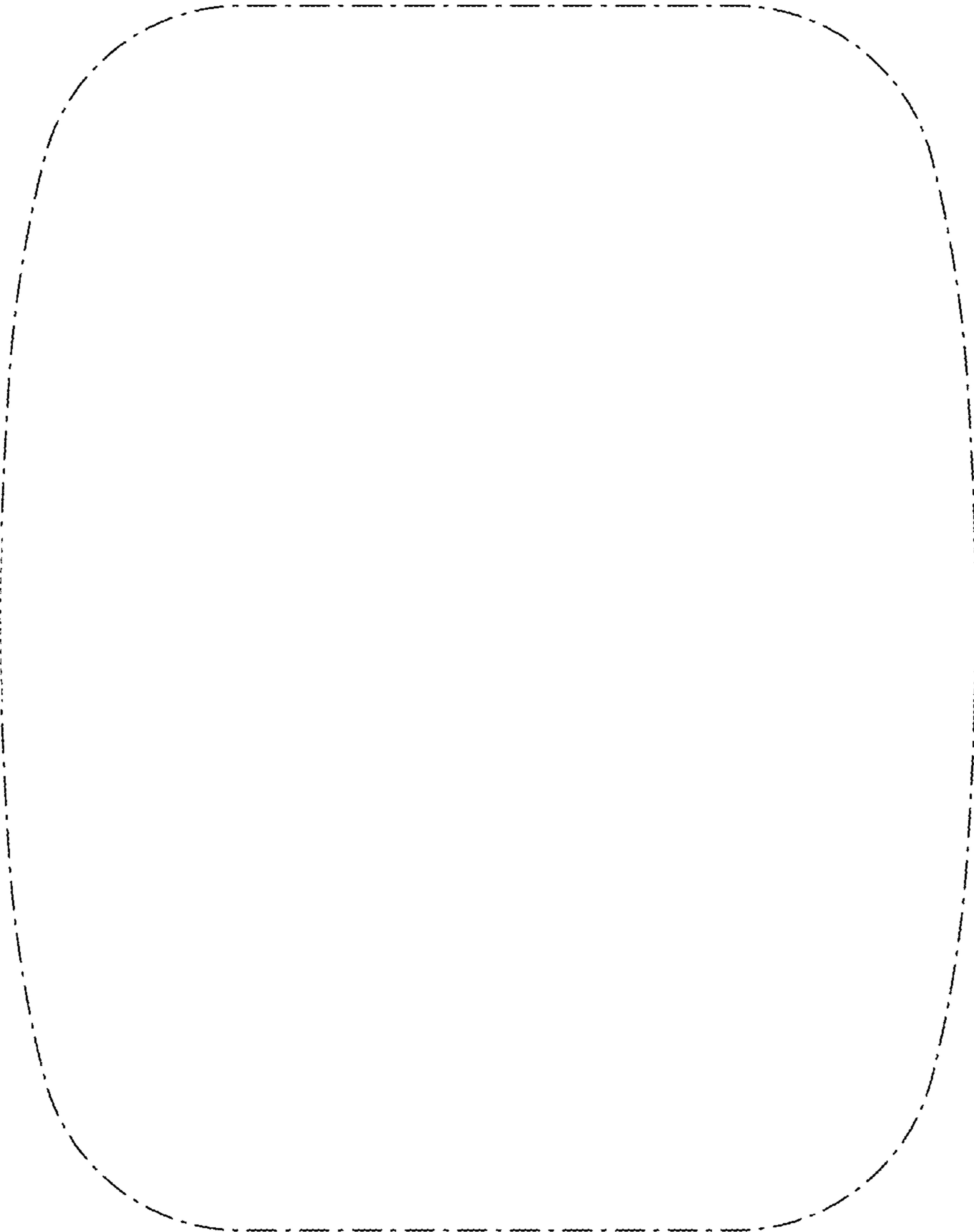


FIG. 7