



US00D801581S

(12) **United States Design Patent** (10) **Patent No.:** **US D801,581 S**
Scott et al. (45) **Date of Patent:** **** Oct. 31, 2017**

(54) **DISPENSER FOR E-LIQUID**
(71) Applicant: **Nerudia Limited**, Liverpool (GB)
(72) Inventors: **Kenneth Scott**, Manchester (GB); **Tom Sudlow**, Manchester (GB)
(73) Assignee: **Nerudia Limited**, Liverpool (GB)
(**) Term: **15 Years**
(21) Appl. No.: **29/587,384**
(22) Filed: **Dec. 13, 2016**

D671,678 S * 11/2012 Wu D27/189
D691,420 S * 10/2013 McIntire D7/510
D706,976 S * 6/2014 Wu D27/189
D723,736 S * 3/2015 Liu D27/189
D723,737 S * 3/2015 Liu D27/189
D725,953 S * 4/2015 Gamelli D7/300.1
D733,961 S * 7/2015 Wu D27/189
D736,455 S * 8/2015 Liu D27/189
D736,458 S * 8/2015 Liu D27/189
D736,460 S * 8/2015 McKeon D27/189

(Continued)

Primary Examiner — Robert M Spear
Assistant Examiner — Marissa J Cash
(74) *Attorney, Agent, or Firm* — McDonnell Boehnen Hulbert & Berghoff LLP

Related U.S. Application Data

(62) Division of application No. 29/529,659, filed on Jun. 9, 2015, now Pat. No. Des. 793,005.
(51) **LOC (10) Cl.** **27-06**
(52) **U.S. Cl.**
USPC **D27/189**
(58) **Field of Classification Search**
USPC D3/203.1, 203.6, 20; D9/432, 686, 724; D13/118, 119, 184; D27/100, 139, 141, D27/142, 143, 144, 162, 163, 164, 167, D27/172–193, 194; D7/300.1, 510, 511
CPC A24F 47/00; A24F 47/008; H05B 3/03; A61M 16/108; A61M 16/10; B65D 85/1045
See application file for complete search history.

(57) **CLAIM**

The ornamental design for a dispenser for e-liquid, as shown and described.

DESCRIPTION

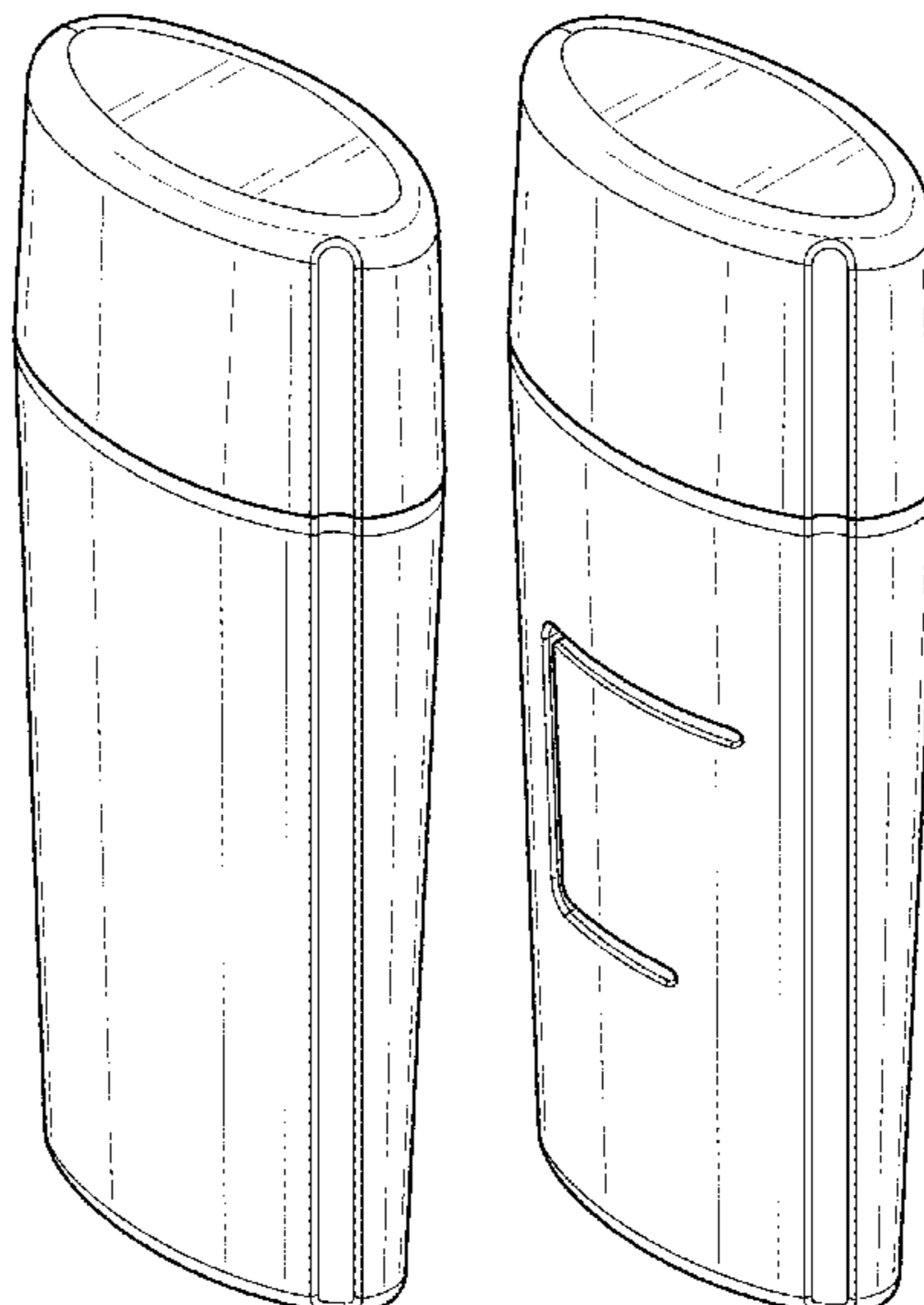
FIG. 1 is a perspective view of a first embodiment for a dispenser for e-liquid of the present design;
FIG. 2 is a front view thereof;
FIG. 3 is a rear view thereof;
FIG. 4 is a right side view thereof;
FIG. 5 is a left side view thereof;
FIG. 6 is a top view thereof;
FIG. 7 is a bottom view thereof;
FIG. 8 is a perspective view of a second embodiment for a dispenser for e-liquid of the present design;
FIG. 9 is a front view thereof;
FIG. 10 is a rear view thereof;
FIG. 11 is a right side view thereof;
FIG. 12 is a left side view thereof;
FIG. 13 is a top view thereof; and,
FIG. 14 is a bottom view thereof.
In the drawings, the broken lines depict environmental subject matter only and form no part of the claimed design.

(56) **References Cited**

U.S. PATENT DOCUMENTS

D323,292 S * 1/1992 Jones D9/424
D346,878 S * 5/1994 Gee D27/194
D355,275 S * 2/1995 Focke D27/186
D381,261 S * 7/1997 Crawford D9/529
D493,912 S * 8/2004 Wong D27/141
D596,348 S * 7/2009 Buse D27/189
D665,734 S * 8/2012 Fitch D13/107

1 Claim, 14 Drawing Sheets



(56)

References Cited

U.S. PATENT DOCUMENTS

D736,995 S *	8/2015	Recio	D27/141
D737,507 S *	8/2015	Liu	D27/189
D737,508 S *	8/2015	Liu	D27/189
D752,282 S *	3/2016	Doster	D27/189
D752,283 S *	3/2016	Doster	D27/189
D753,336 S *	4/2016	Chen	D27/101
D753,338 S *	4/2016	Chen	D27/162
D756,563 S *	5/2016	Joyce, III	D27/189
D760,027 S *	6/2016	Meyers	D7/510
D768,920 S *	10/2016	Jones	D27/189
D770,679 S *	11/2016	Weigensberg	D27/189
D778,494 S *	2/2017	Scott	D27/189

* cited by examiner

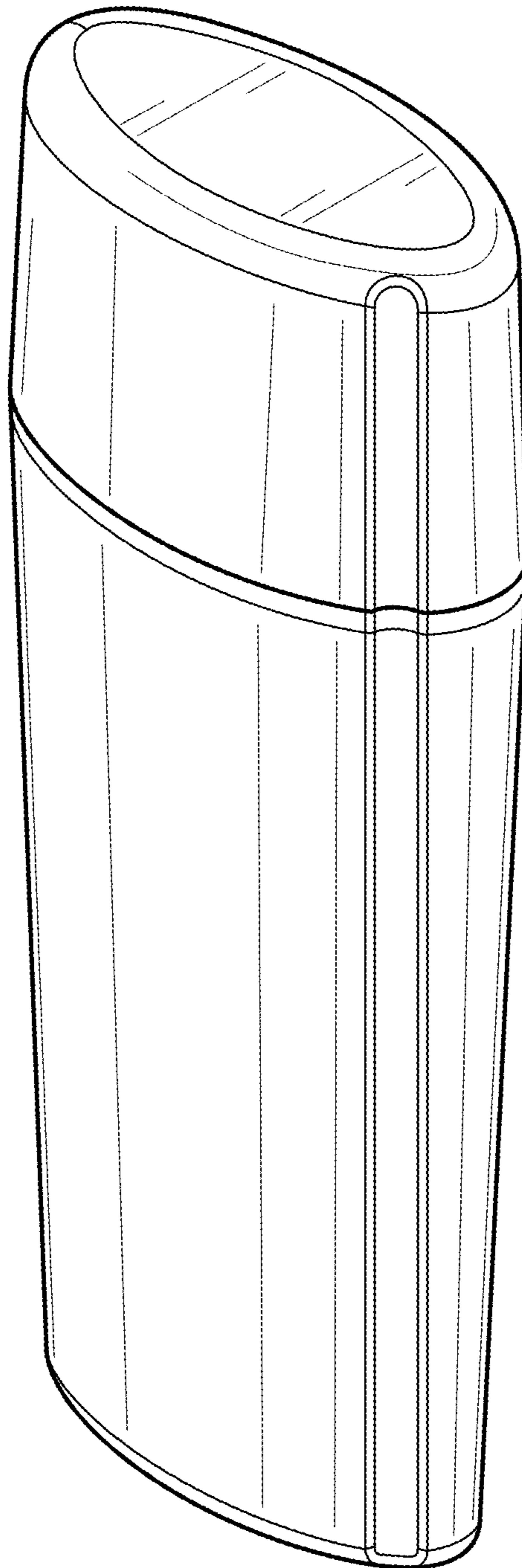


FIG. 1

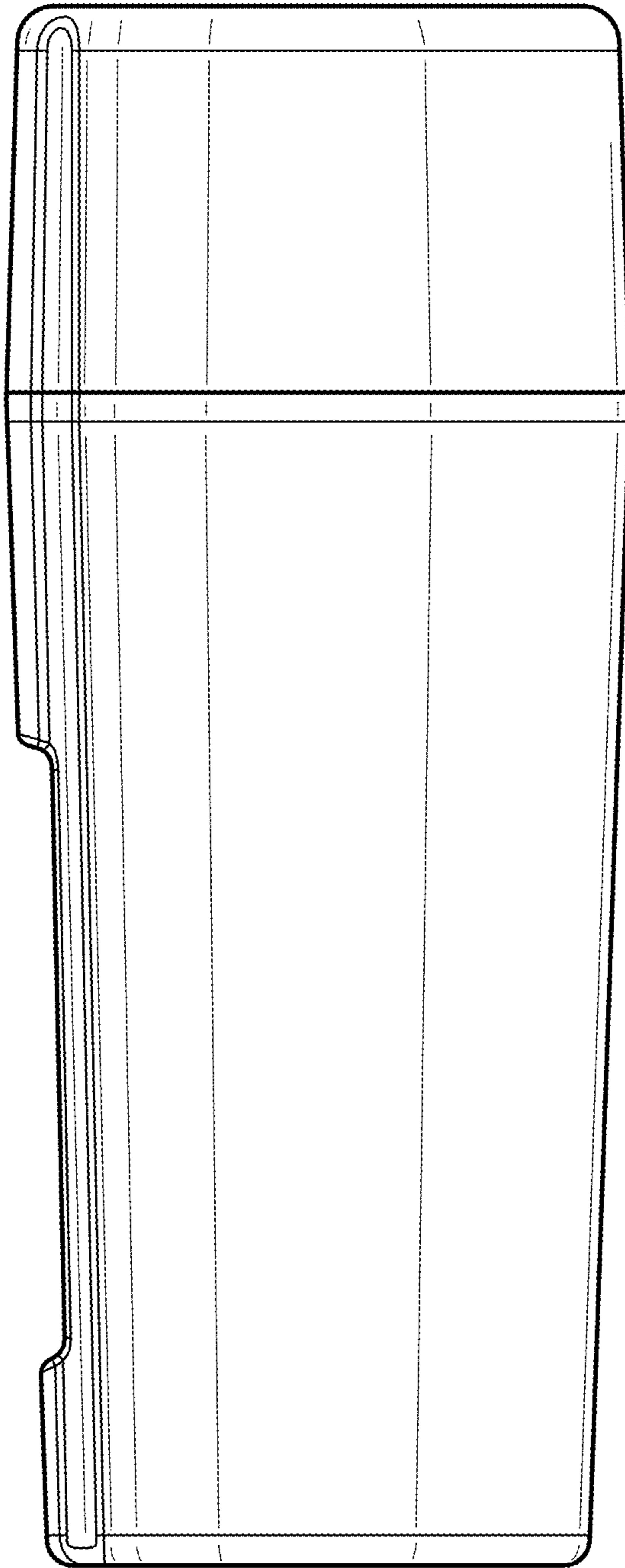


FIG. 2

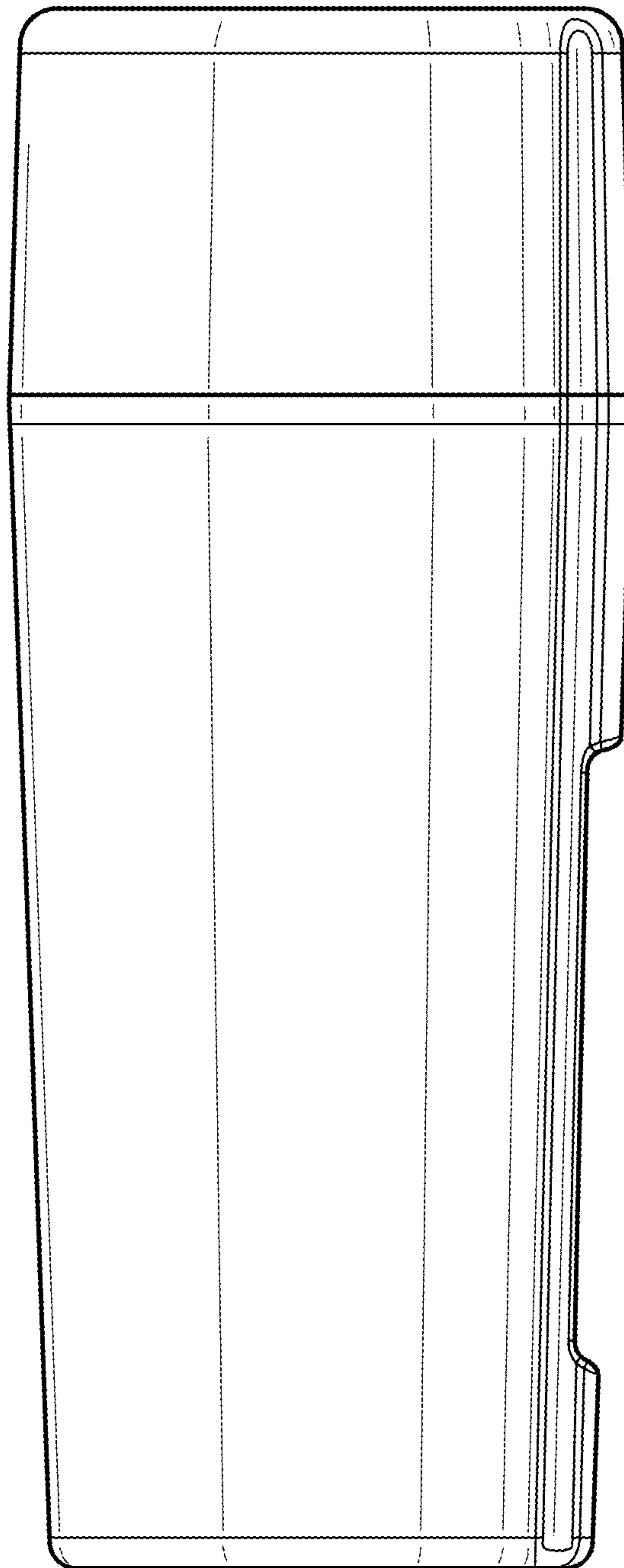


FIG. 3

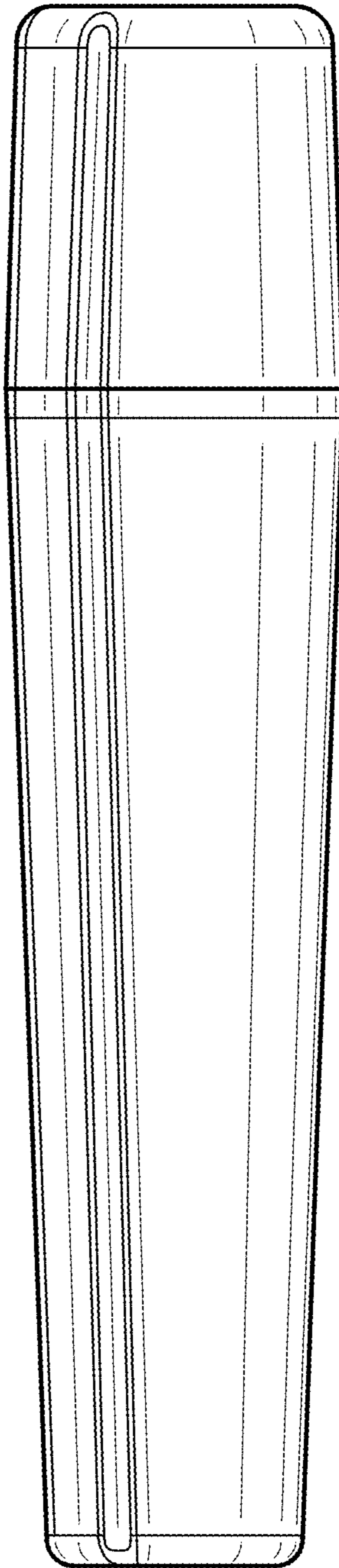


FIG. 4

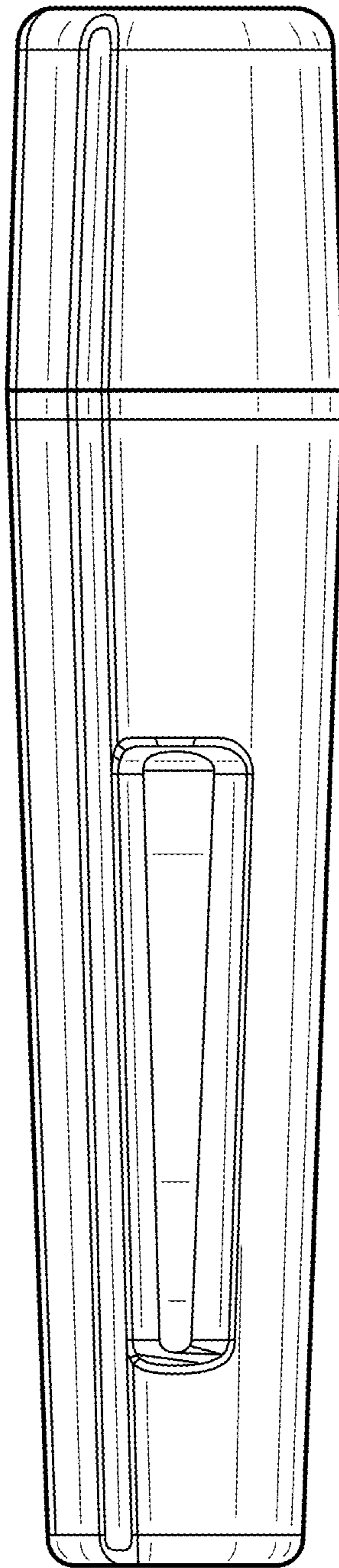


FIG. 5

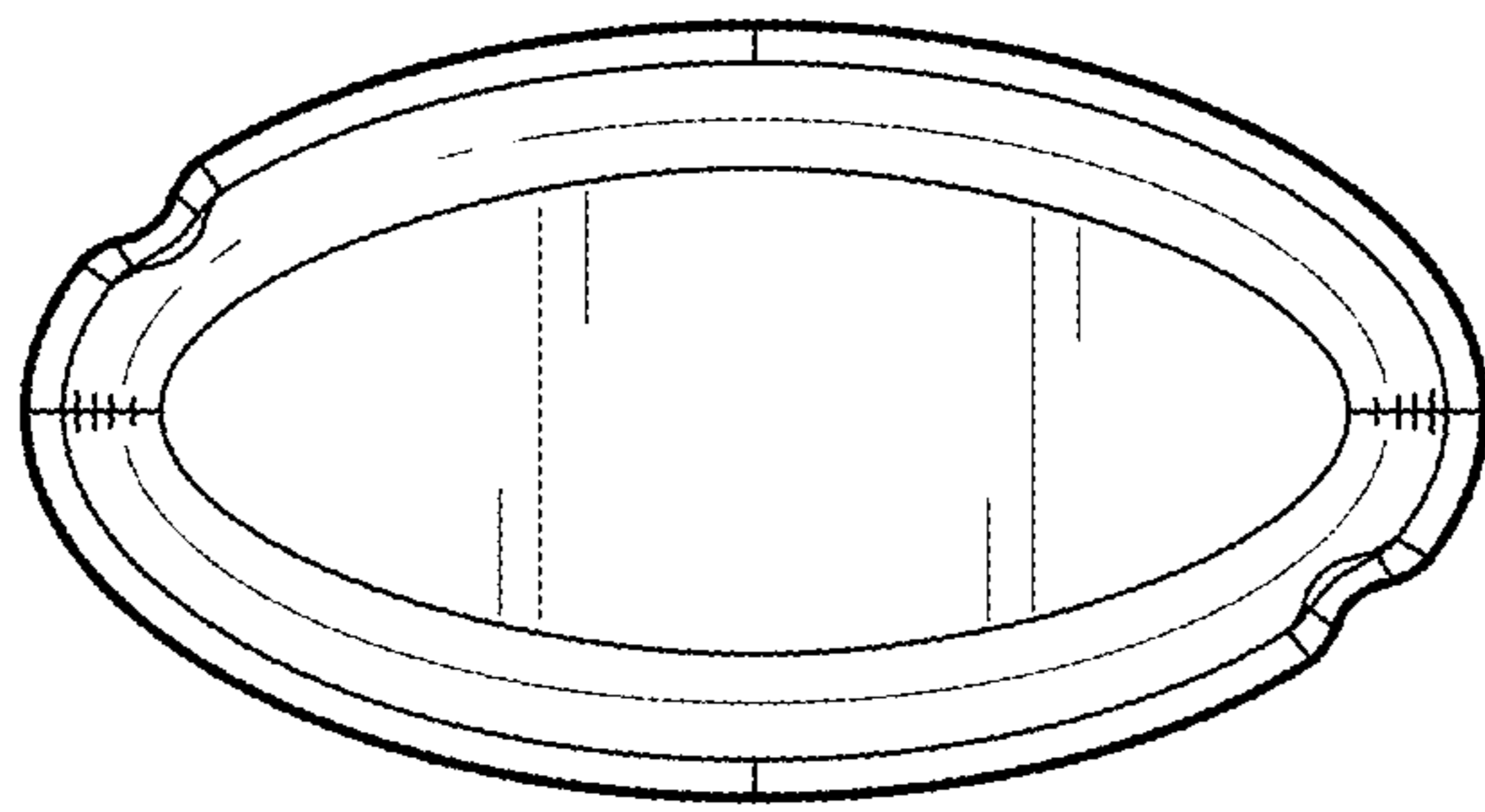


FIG. 6

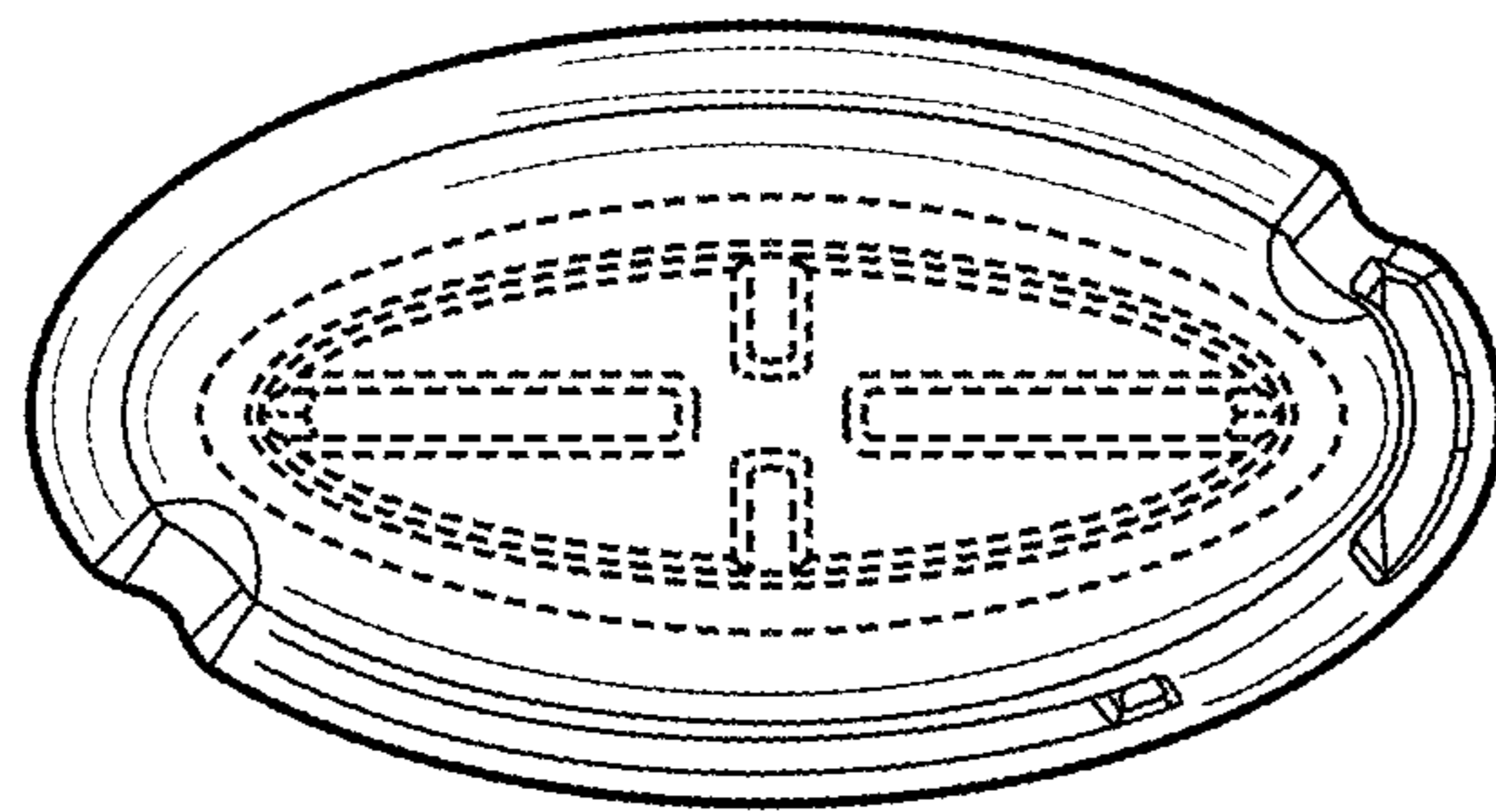


FIG. 7

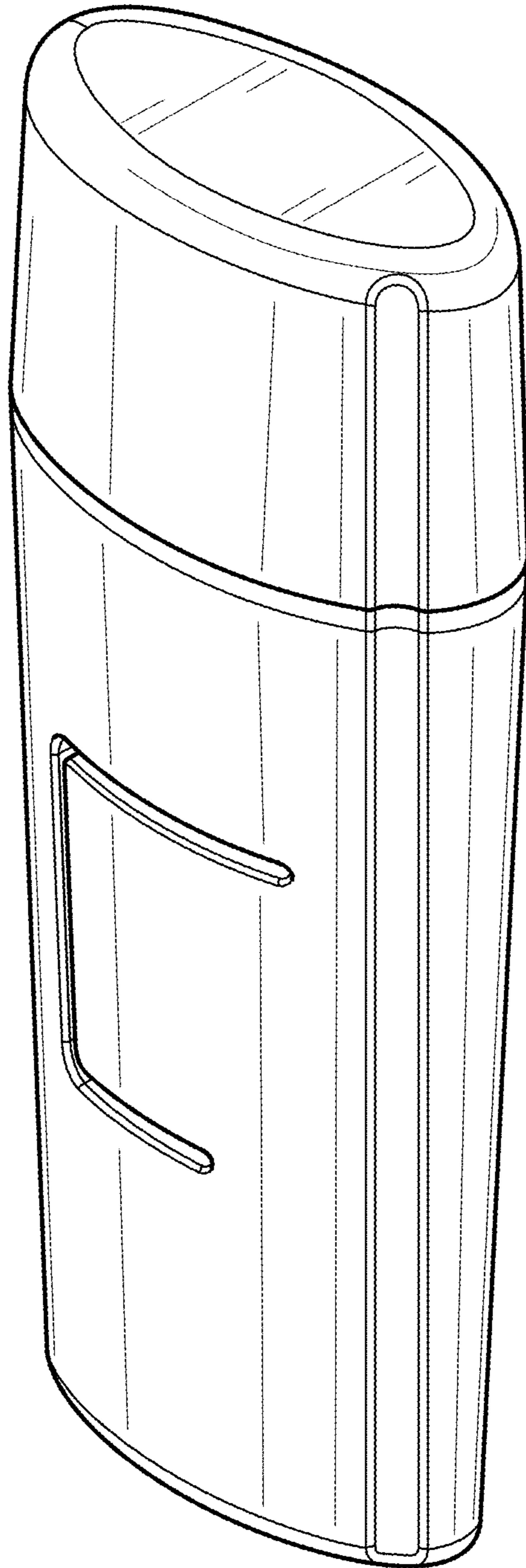


FIG. 8

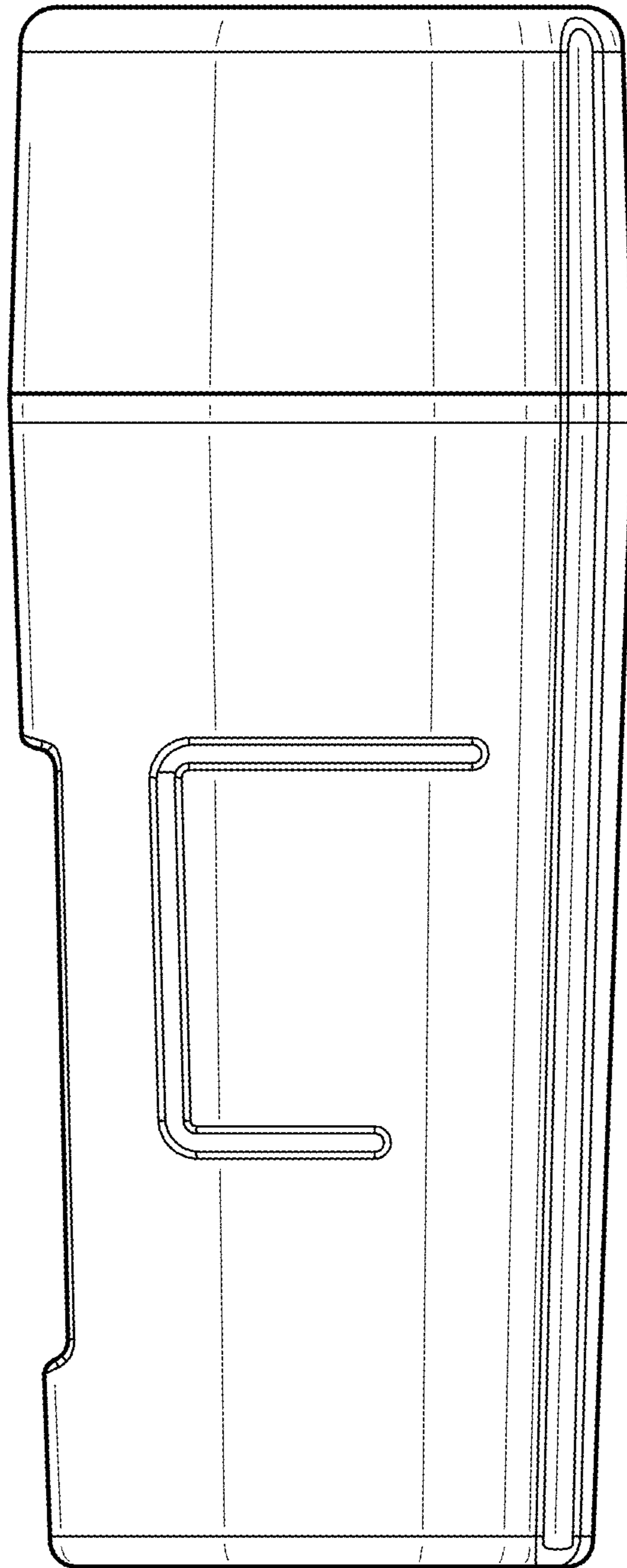


FIG. 9

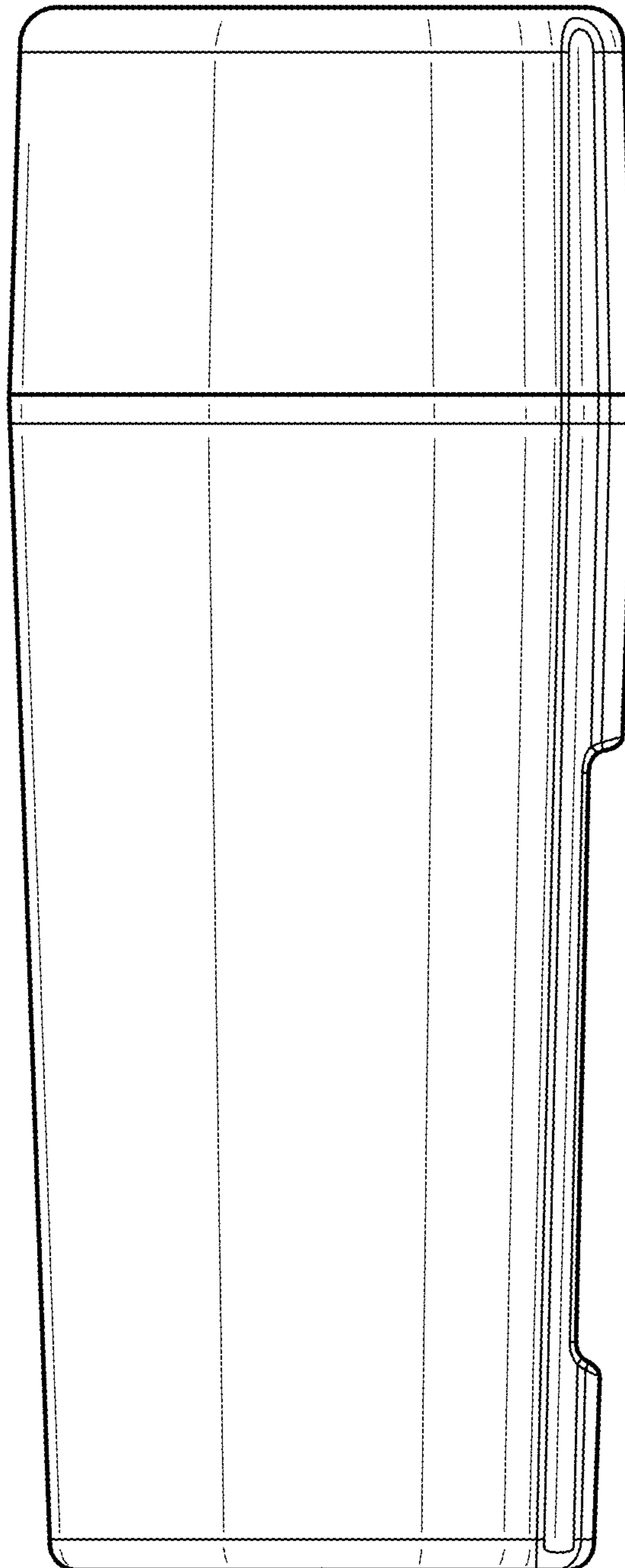


FIG. 10

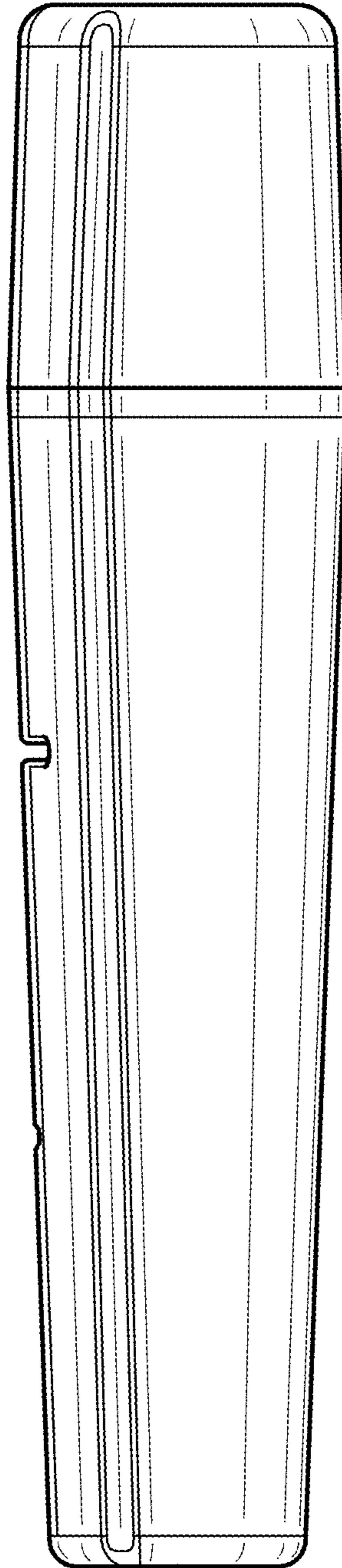


FIG. 11

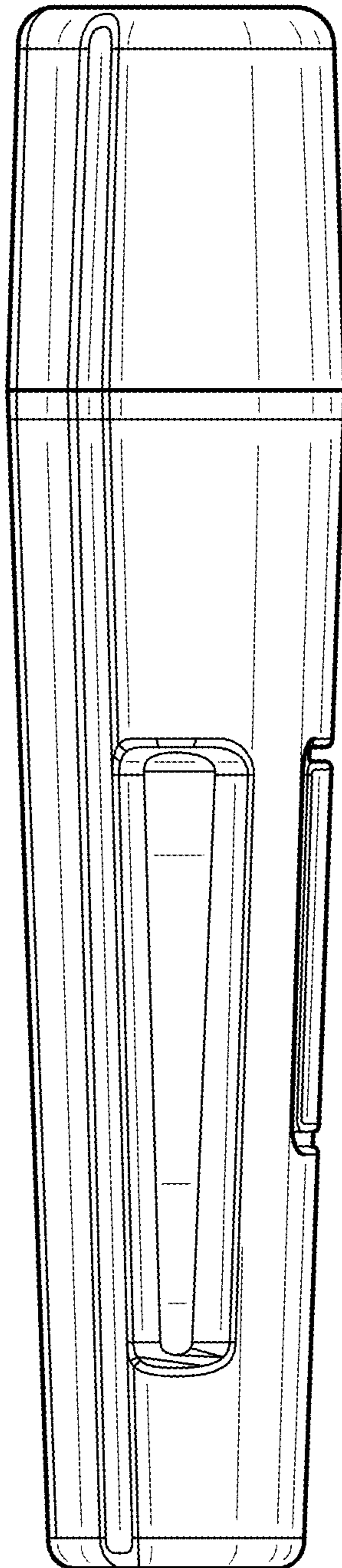


FIG. 12

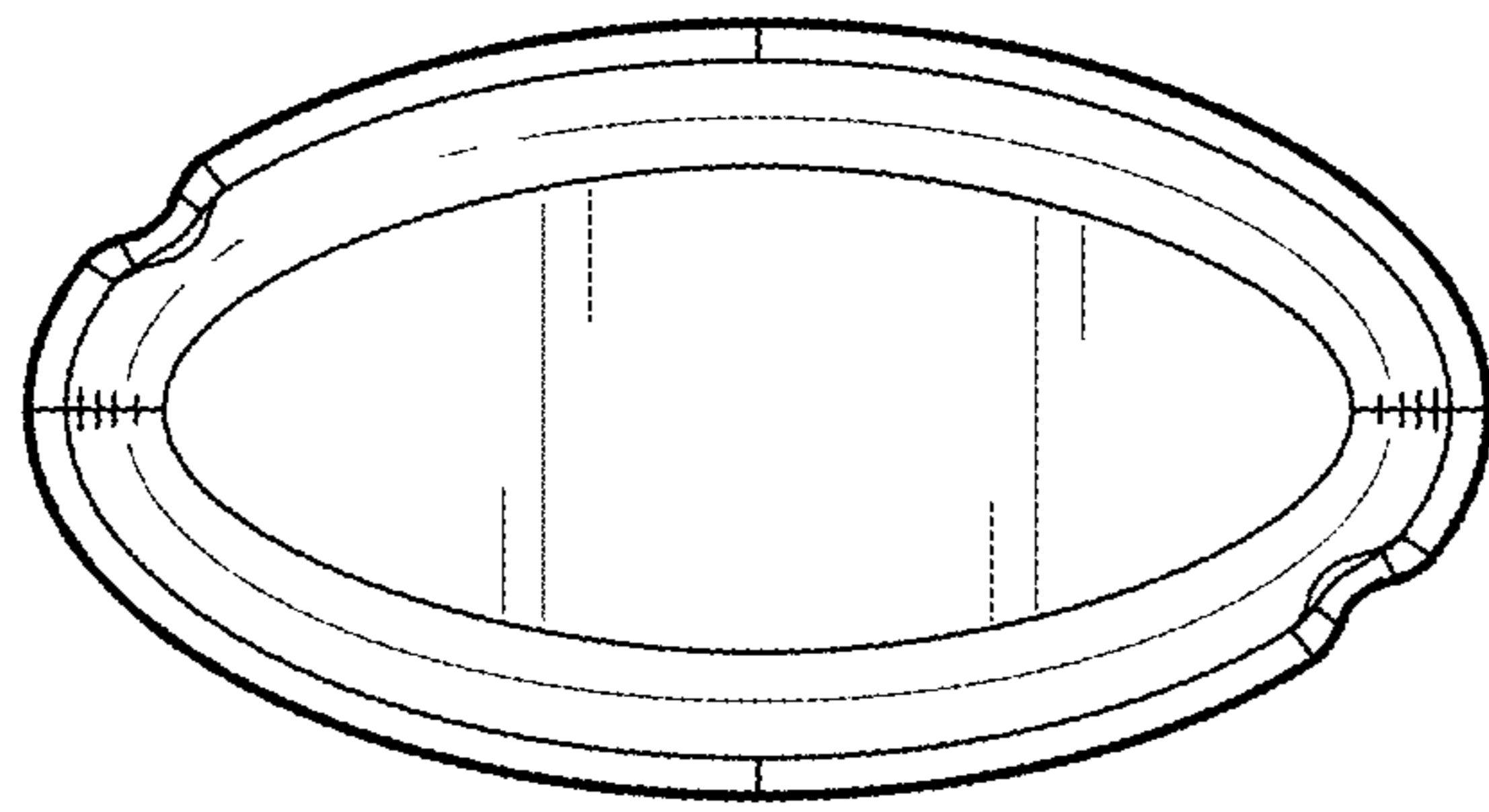


FIG. 13

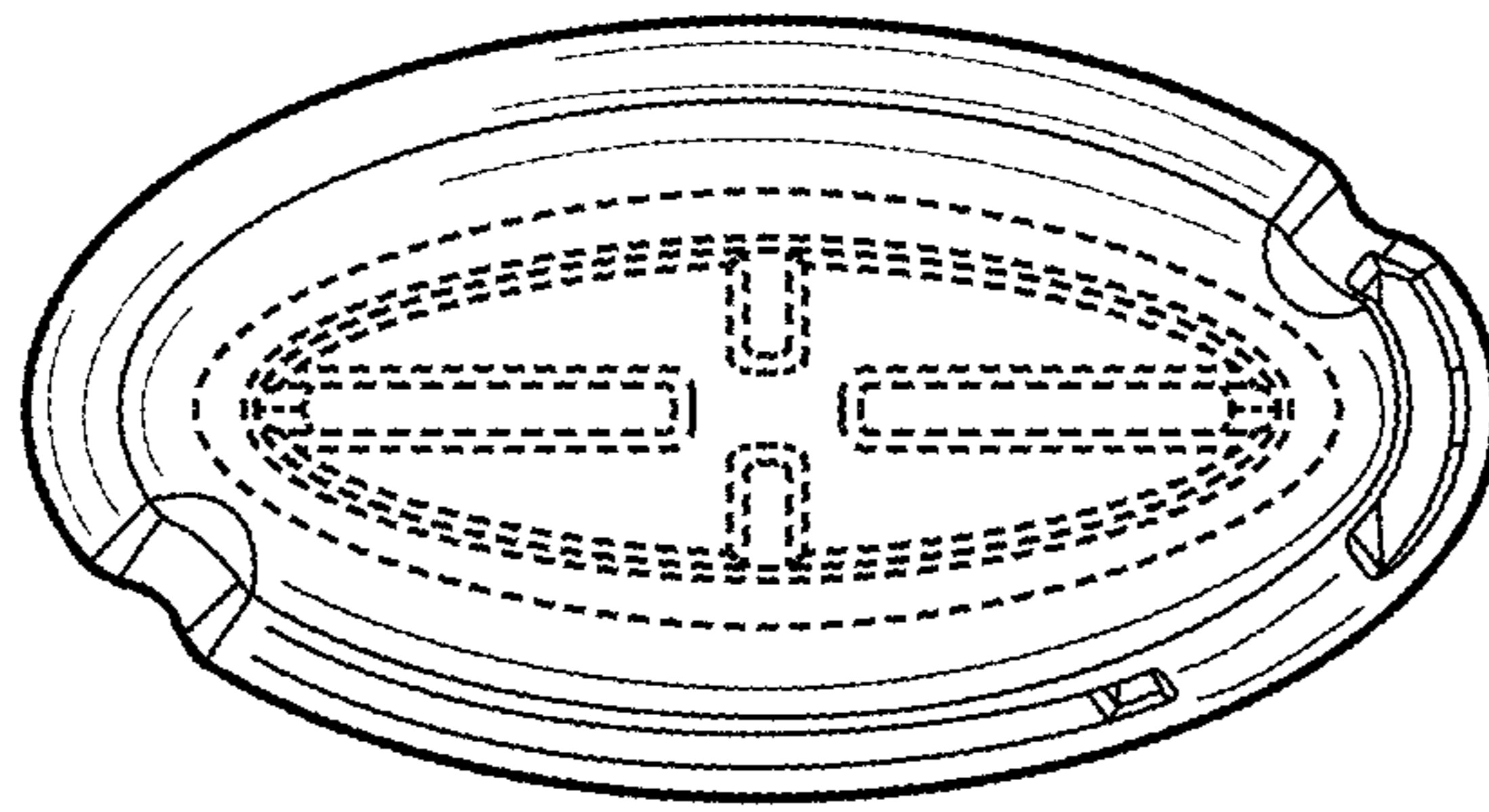


FIG. 14