



US00D801580S

(12) **United States Design Patent** (10) **Patent No.:** **US D801,580 S**
Barrantes (45) **Date of Patent:** **** Oct. 31, 2017**

(54) **CIGAR PROTECTIVE ENCLOSURE WITH LIQUID RETENTION AND DISPENSING DEVICE**
(71) Applicant: **Fabian A Barrantes**, Miami, FL (US)
(72) Inventor: **Fabian A Barrantes**, Miami, FL (US)
(**) Term: **15 Years**
(21) Appl. No.: **29/529,690**
(22) Filed: **Jun. 9, 2015**
(51) **LOC (10) Cl.** **27-06**
(52) **U.S. Cl.**
USPC **D27/189**
(58) **Field of Classification Search**
CPC A24F 47/00; A24F 47/002; A24B 15/243;
A24B 15/16; A24B 15/167; A61M
11/042; A61M 15/06
See application file for complete search history.

2013/0298905 A1* 11/2013 Levin A24F 47/008
128/202.21
2013/0340778 A1* 12/2013 Liu A24F 47/002
131/329
2013/0340779 A1* 12/2013 Liu A24F 47/008
131/329
2014/0261494 A1* 9/2014 Scatterday A24F 47/008
131/329
2016/0007653 A1* 1/2016 Tu A24F 47/008
392/403

* cited by examiner

Primary Examiner — Robert M Spear
Assistant Examiner — Marissa J Cash
(74) *Attorney, Agent, or Firm* — The Miller Law Offices,
PLC; Steven J. Miller, Esq.

(57) **CLAIM**

The ornamental design for a cigar protective enclosure with liquid retention and dispensing device, as shown and described.

(56) **References Cited**

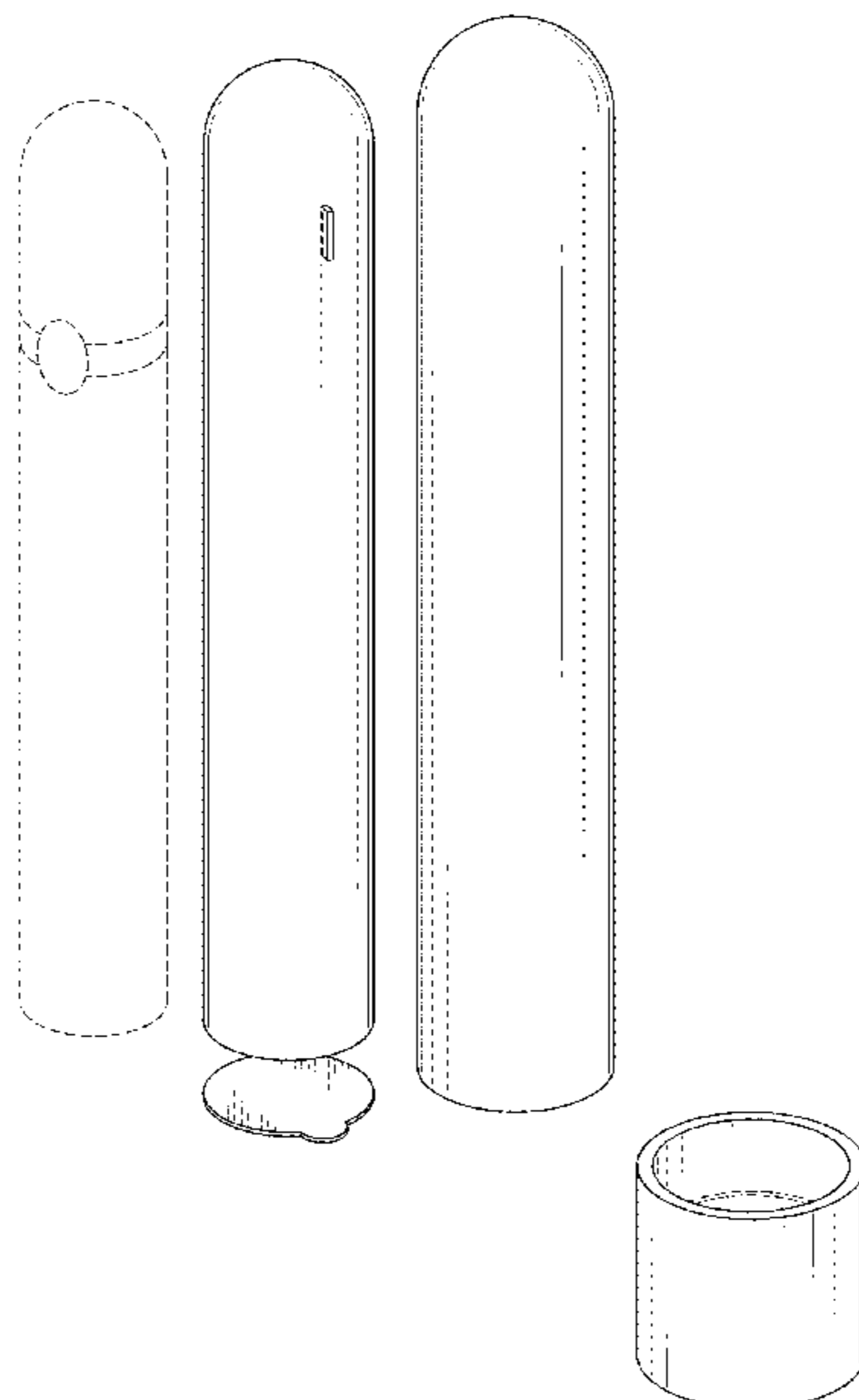
U.S. PATENT DOCUMENTS

D590,991 S * 4/2009 Hon D27/101
D614,346 S * 4/2010 Lik D27/101
D645,214 S * 9/2011 Lee D1/106
D725,821 S * 3/2015 Levin D27/101
D725,822 S * 3/2015 Liu D27/101
D731,073 S * 6/2015 Lv D24/215
D733,903 S * 7/2015 Tong D24/215
D762,001 S * 7/2016 Liu D27/101
D770,182 S * 11/2016 Hunter D4/103
D772,478 S * 11/2016 Shin D27/167
D774,693 S * 12/2016 Liu D27/162
2006/0213530 A1* 9/2006 Venegas A24F 19/0092
131/235.1
2012/0272979 A1* 11/2012 Cooper A24C 1/38
131/352
2013/0087159 A1* 4/2013 Sweeney A24B 15/30
131/275

DESCRIPTION

FIG. 1 is an exploded perspective view of the components of the cigar protective enclosure with liquid retention and dispensing device;
FIG. 2 is the front elevation view thereof;
FIG. 3 is the rear elevation view thereof;
FIG. 4 is a the right side elevation view thereof;
FIG. 5 is a the left side elevation view thereof;
FIG. 6 is a top plan view thereof;
FIG. 7 is a bottom plan view thereof; and,
FIG. 8 is a fully assembled perspective view of the cigar protective enclosure with liquid retention and dispensing device.
The broken lines in the drawings represent unclaimed environmental subject matter and form no part of the claim.

1 Claim, 8 Drawing Sheets



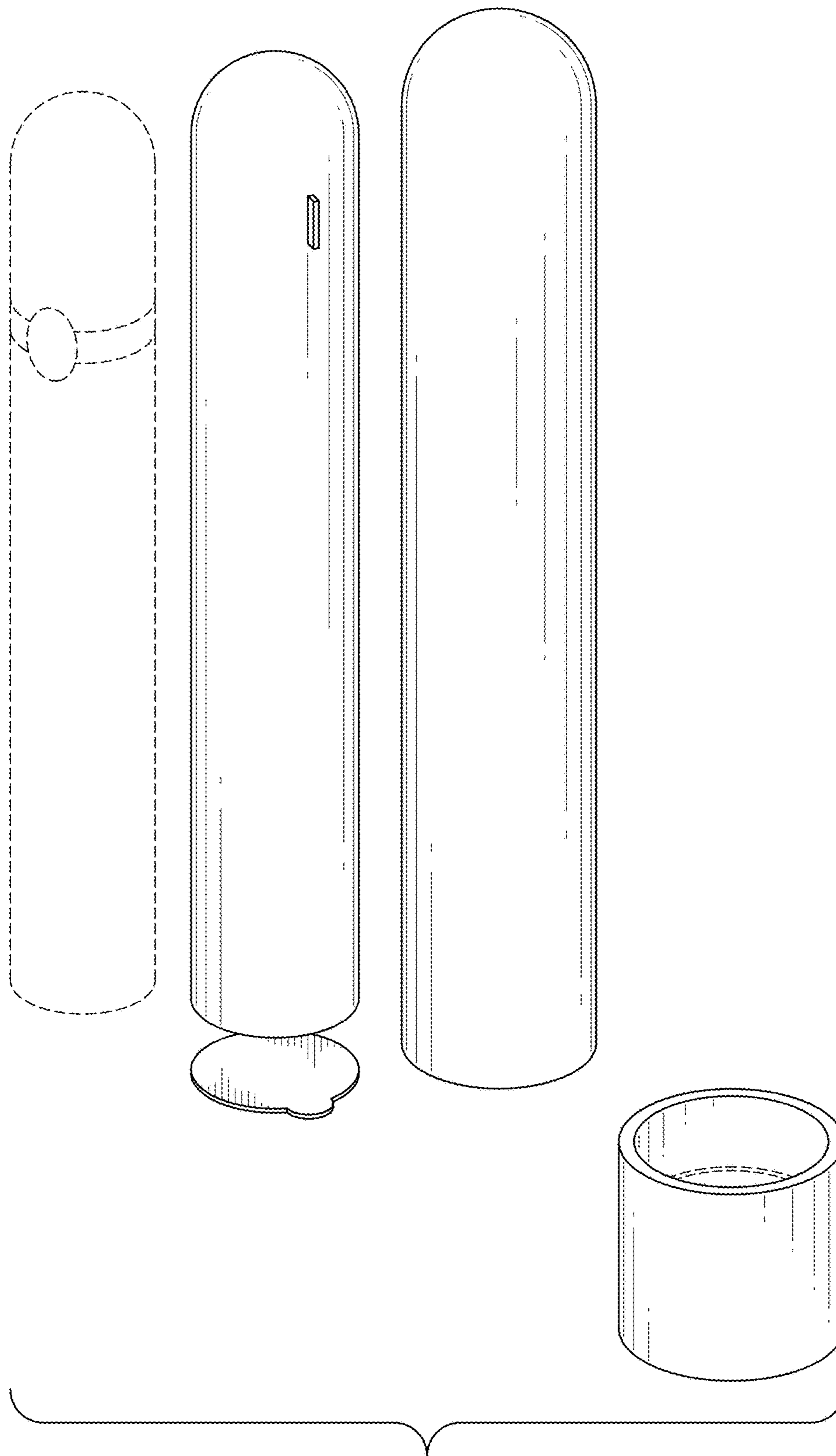


FIG. 1

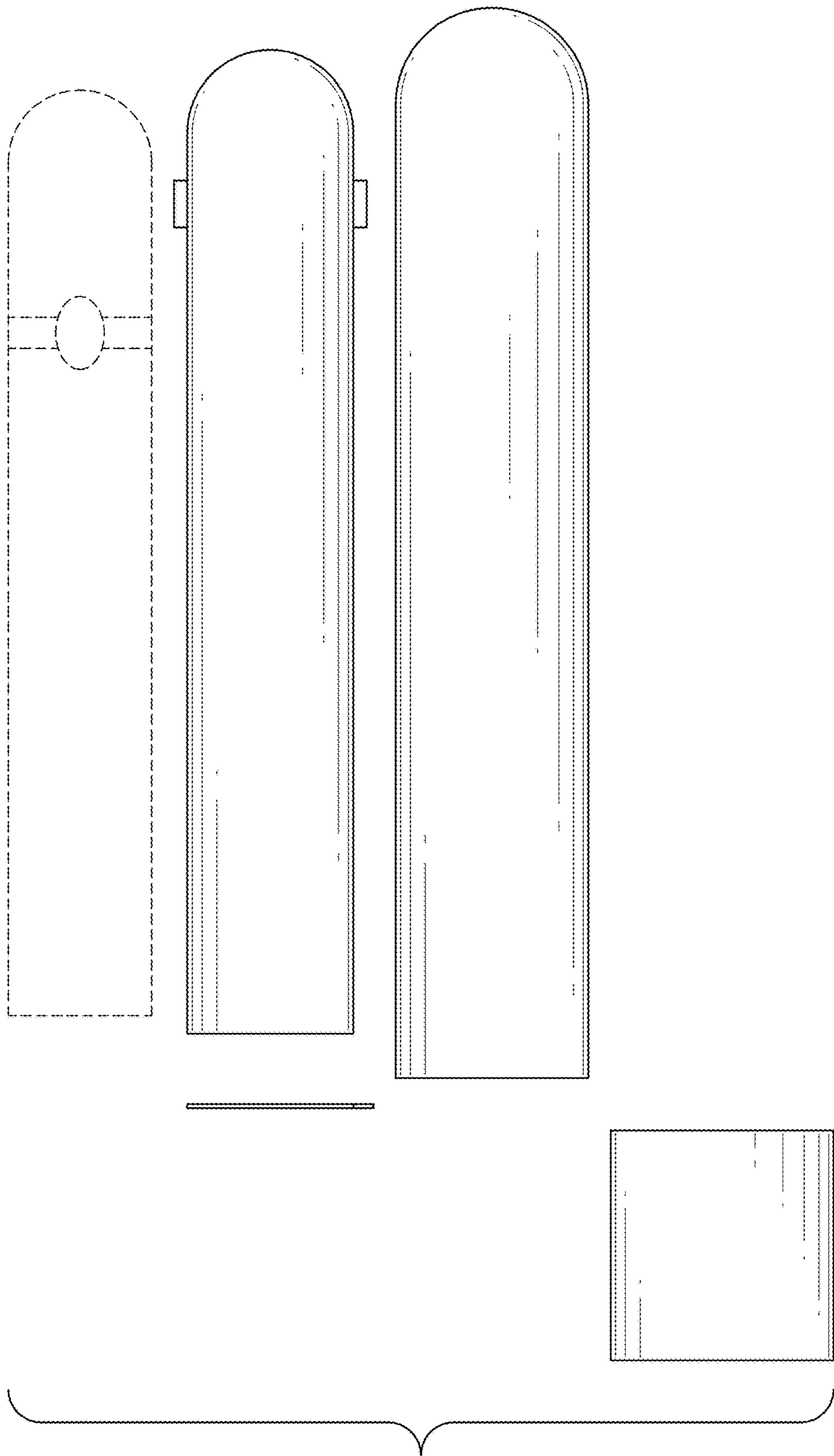


FIG. 2

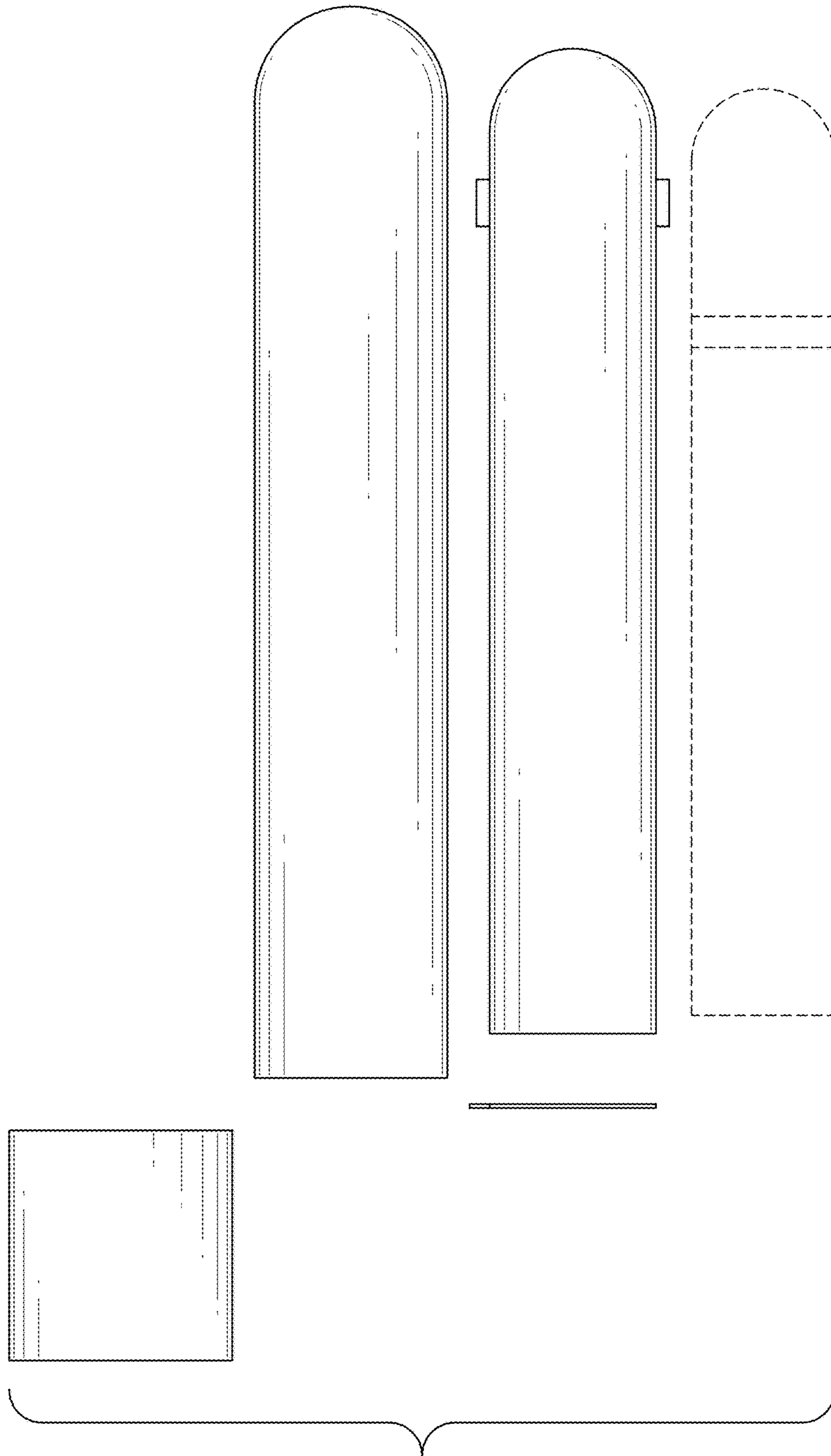


FIG. 3

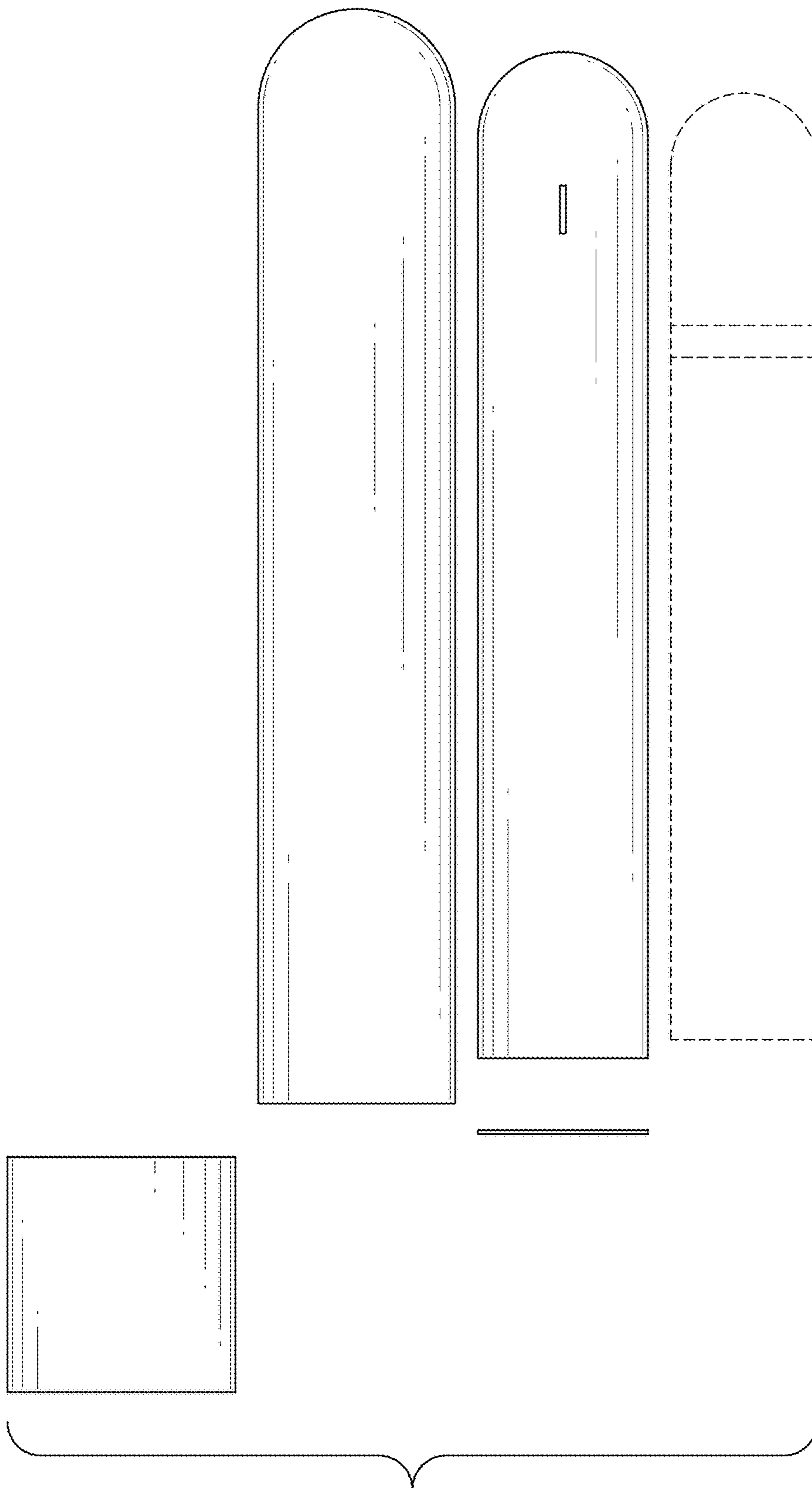


FIG.4

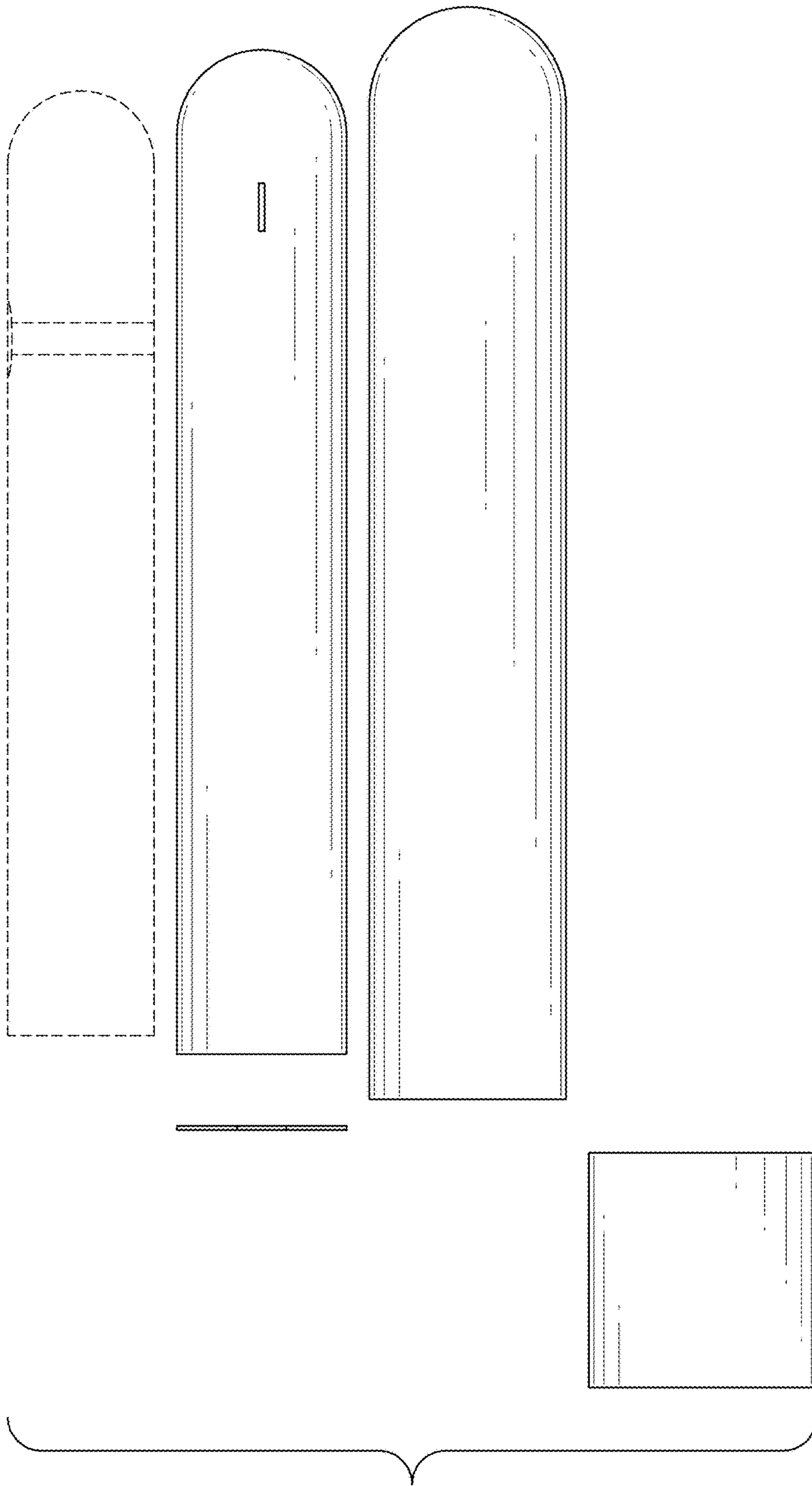


FIG.5

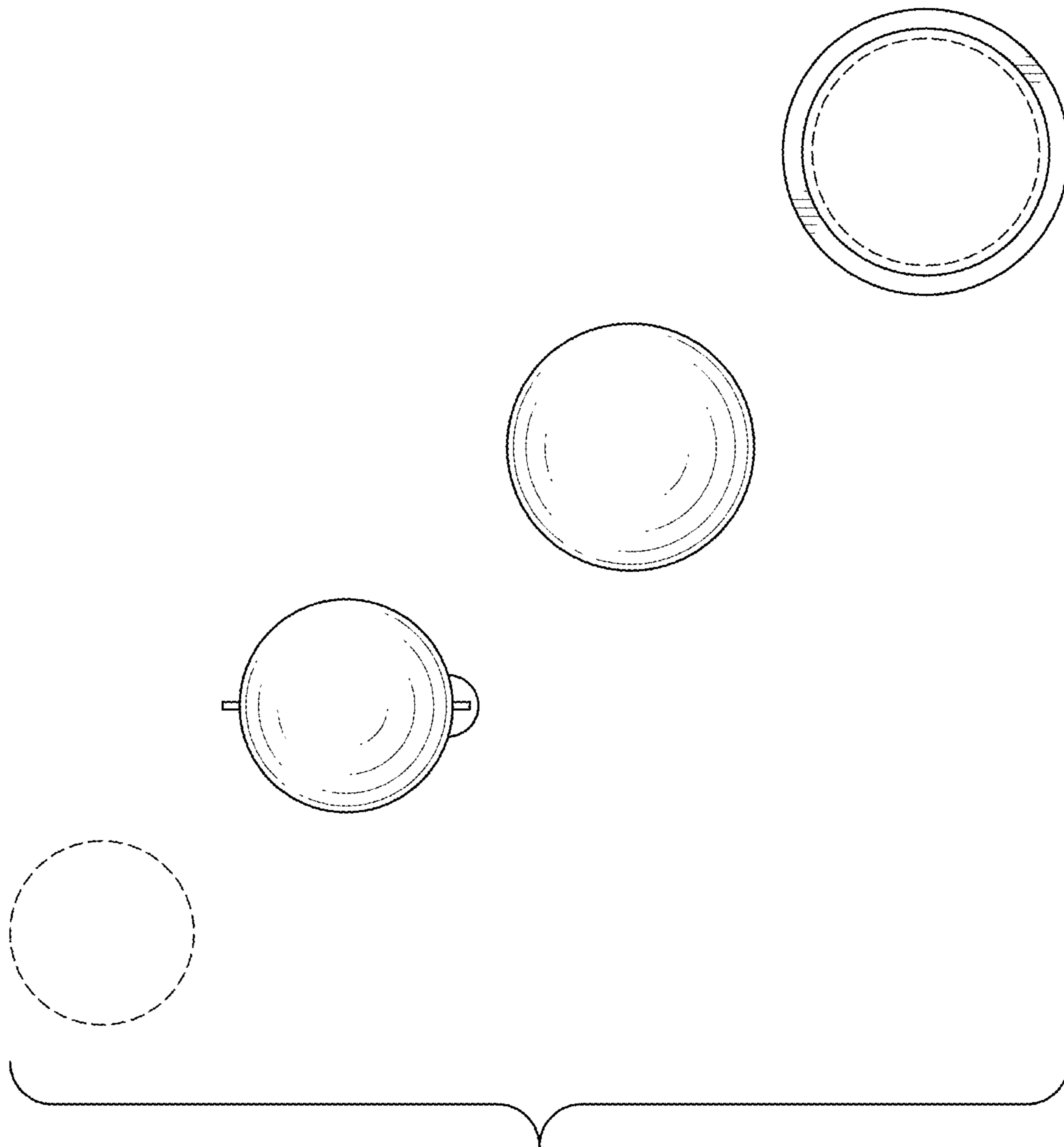


FIG. 6

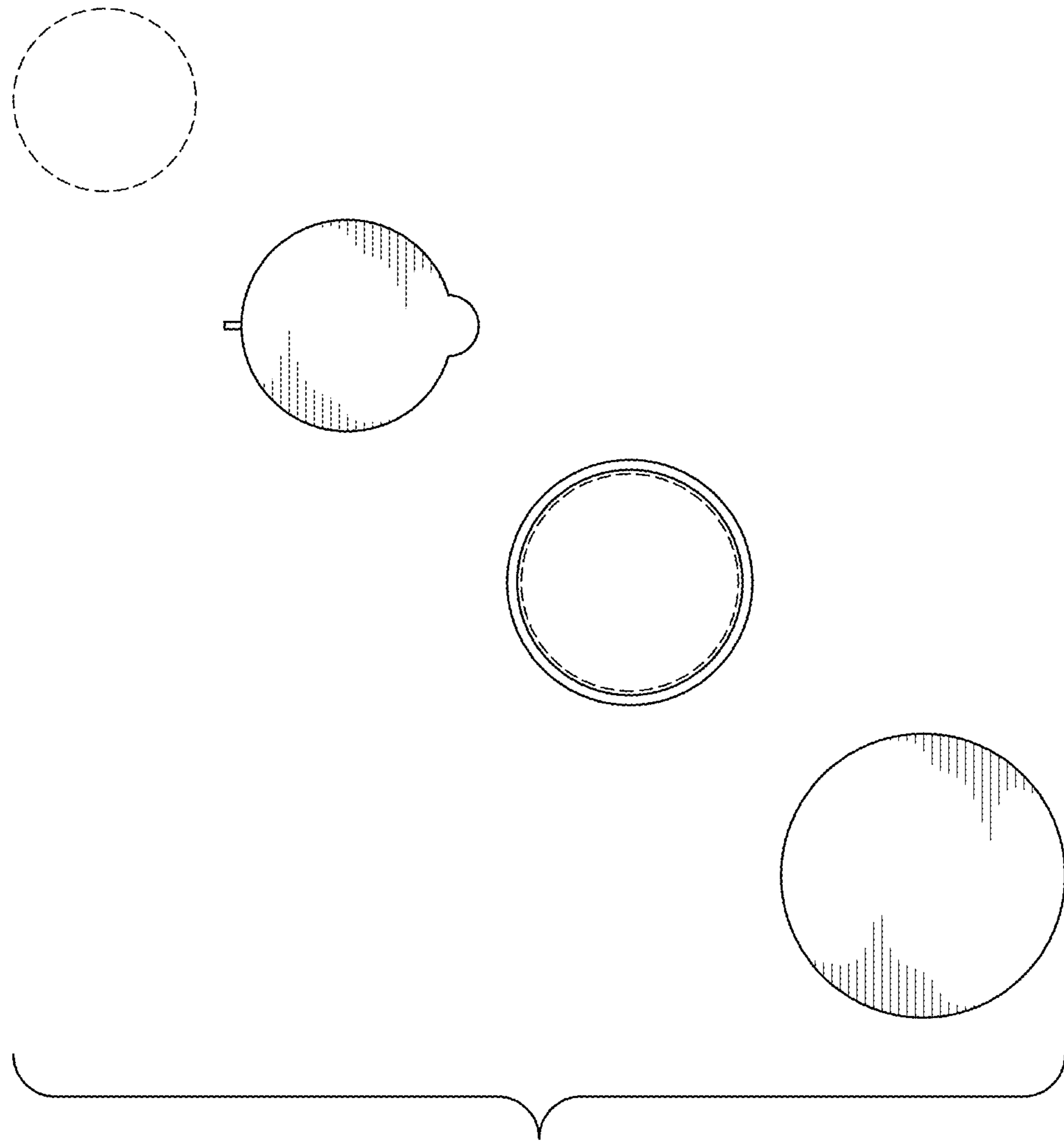


FIG.7

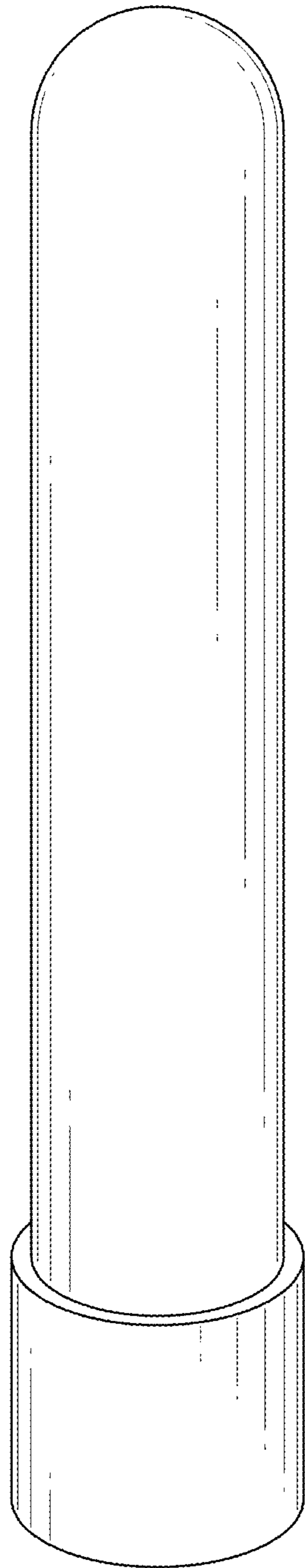


FIG. 8