



US00D801579S

(12) **United States Design Patent**  
**Nyaggah**

(10) **Patent No.:** **US D801,579 S**

(45) **Date of Patent:** **\*\* \*Oct. 31, 2017**

(54) **HOLDER FOR VAPE OR ATOMIZER**

(71) Applicant: **RASTACLAT, LLC**, Long Beach, CA (US)

(72) Inventor: **Daniel Kasidi Nyaggah**, Long Beach, CA (US)

(73) Assignee: **Rastaclat, LLC**, Long Beach, CA (US)

(\*) Notice: This patent is subject to a terminal disclaimer.

(\*\*) Term: **14 Years**

(21) Appl. No.: **29/507,530**

(22) Filed: **Oct. 28, 2014**

(51) **LOC (10) Cl.** ..... **27-06**

(52) **U.S. Cl.**  
USPC ..... **D27/183**

(58) **Field of Classification Search**  
USPC ..... D27/139-161, 180-183, 185-187,  
D27/193-194, 172; D3/215, 207, 208  
CPC ... A24F 47/00; F23Q 2/34; F23Q 2/36; F23Q  
2/50  
See application file for complete search history.

(56) **References Cited**

**U.S. PATENT DOCUMENTS**

- 4,176,773 A \* 12/1979 Wilkinson ..... A45C 11/00  
224/148.5
- 4,576,839 A \* 3/1986 Parren ..... A45C 11/328  
206/87
- D283,734 S \* 5/1986 Parren ..... D27/153
- 4,901,848 A \* 2/1990 Parren ..... F23Q 2/36  
206/86
- D311,599 S \* 10/1990 Braden ..... D27/172

- D368,364 S \* 4/1996 Reitano ..... D3/215
- D404,562 S \* 1/1999 Brown ..... D3/215
- 6,196,382 B1 \* 3/2001 Lenderman ..... F23Q 2/34  
206/37
- D464,793 S \* 10/2002 Anderton ..... D3/215
- D526,775 S \* 8/2006 Anderton ..... D28/77
- D527,488 S \* 8/2006 Hung ..... D27/161
- D617,495 S \* 6/2010 LoRe ..... D27/172
- D617,942 S \* 6/2010 LoRe ..... D27/172
- D692,614 S \* 10/2013 Robinson ..... D27/183
- D735,935 S \* 8/2015 Burrell ..... D27/183
- 2013/0022933 A1 \* 1/2013 Beard ..... F23Q 2/36  
431/253

\* cited by examiner

*Primary Examiner* — Susan Bennett Hattan

*Assistant Examiner* — Janice Hallmark

(74) *Attorney, Agent, or Firm* — Buchalter

(57) **CLAIM**

The ornamental design for a holder for vape or atomizer, as shown and described.

**DESCRIPTION**

FIG. 1 is a front and right side perspective view of the new design;

FIG. 2 is a top perspective view thereof;

FIG. 3 is a bottom perspective view thereof;

FIG. 4 is a right side perspective view thereof;

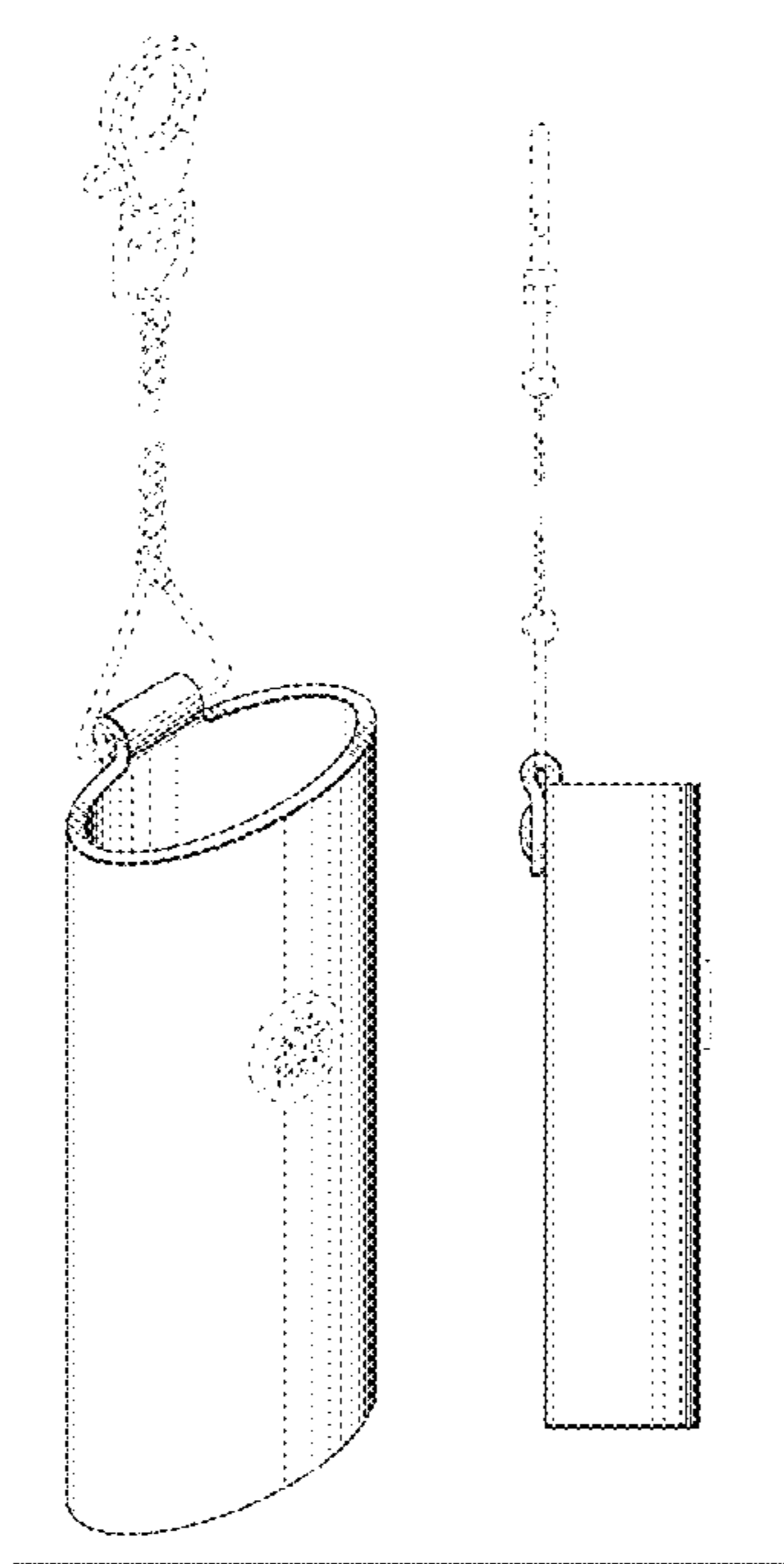
FIG. 5 is a front perspective view thereof;

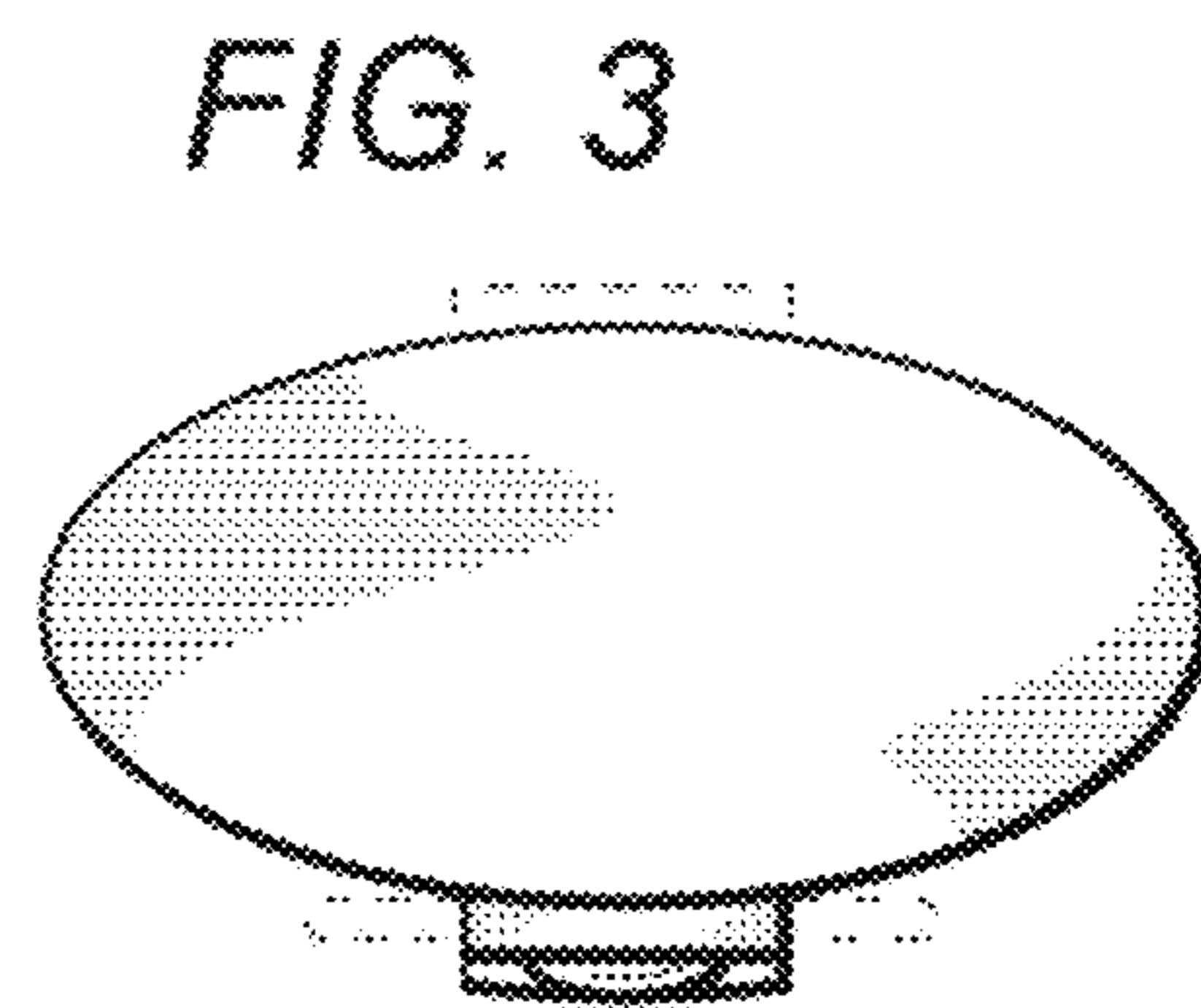
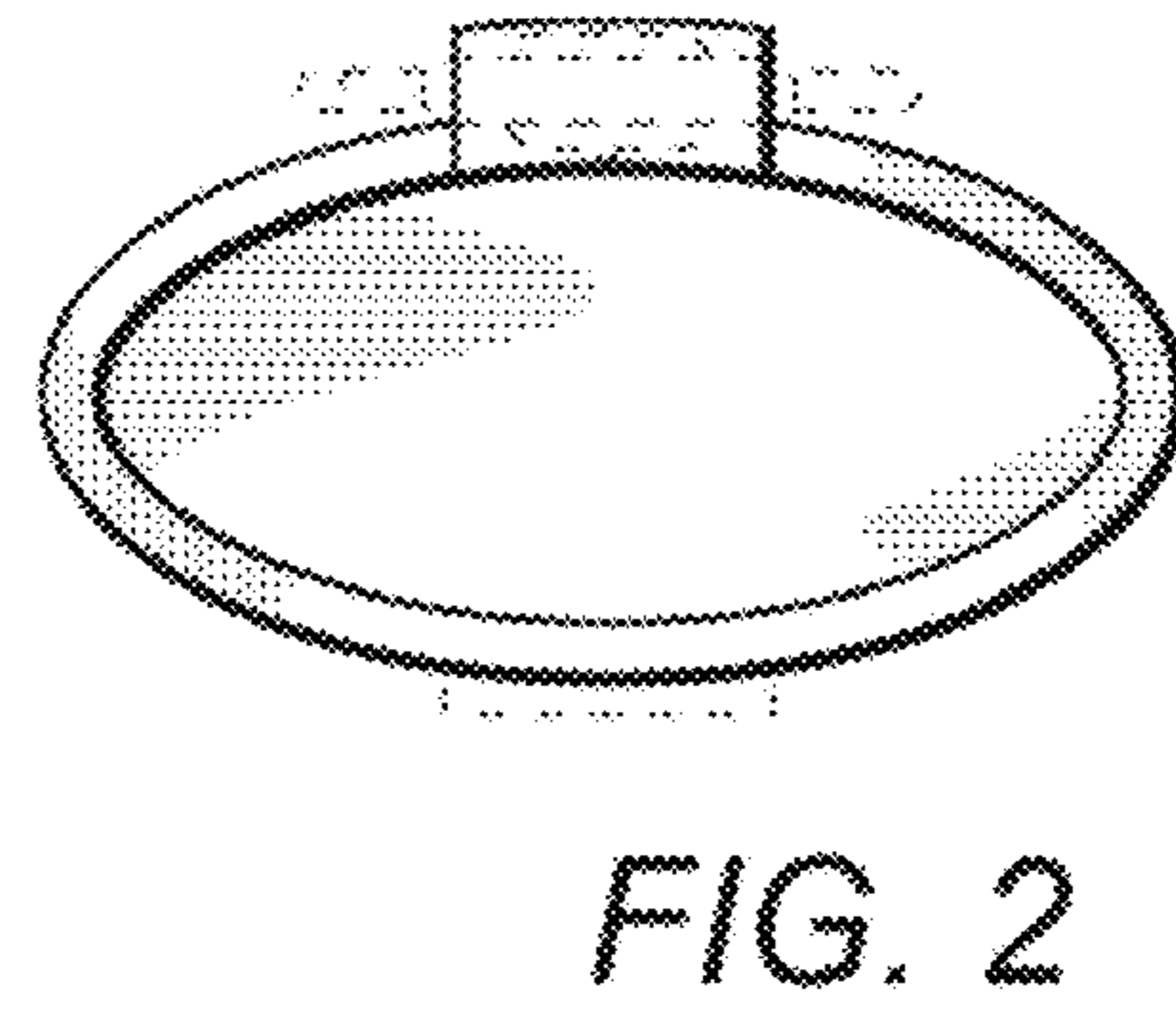
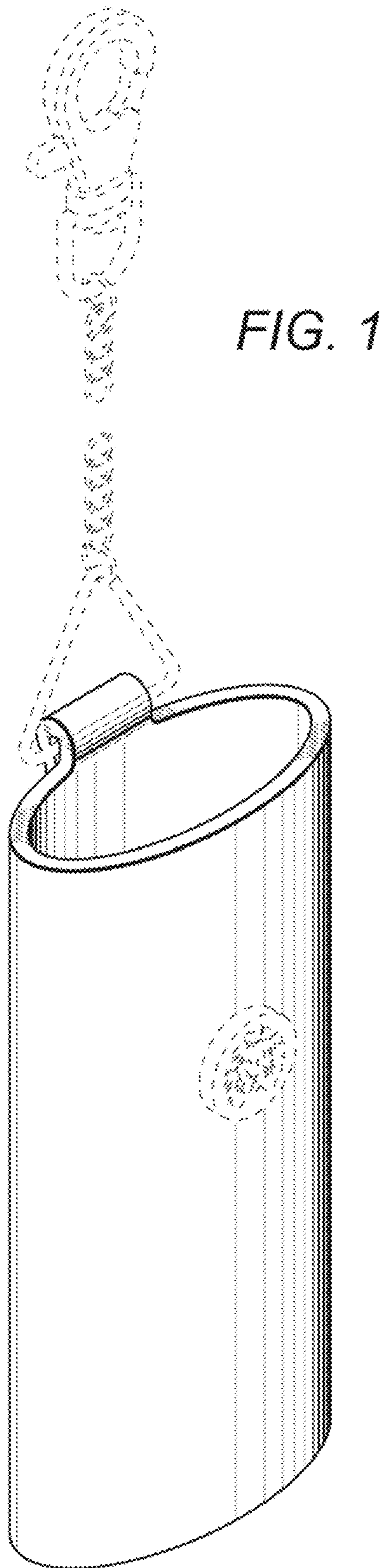
FIG. 6 is a left side perspective view thereof; and,

FIG. 7 is a back perspective view thereof.

The broken lines in the drawings depict environmental subject matter only and form no part of the claimed design.

**1 Claim, 3 Drawing Sheets**





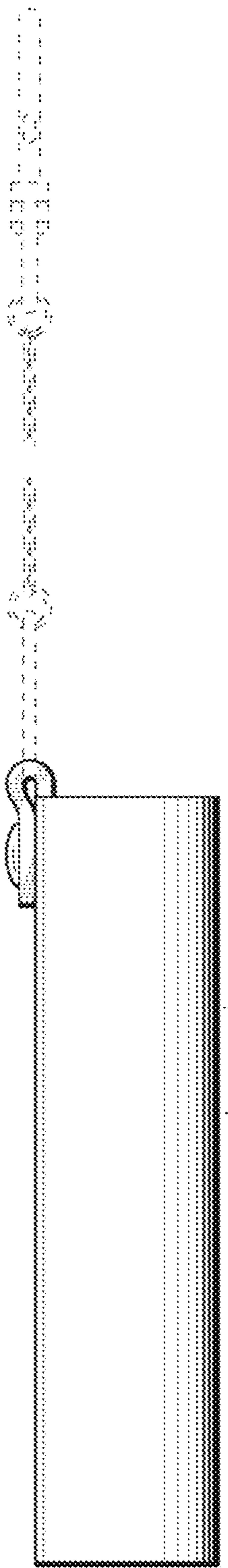


FIG. 4

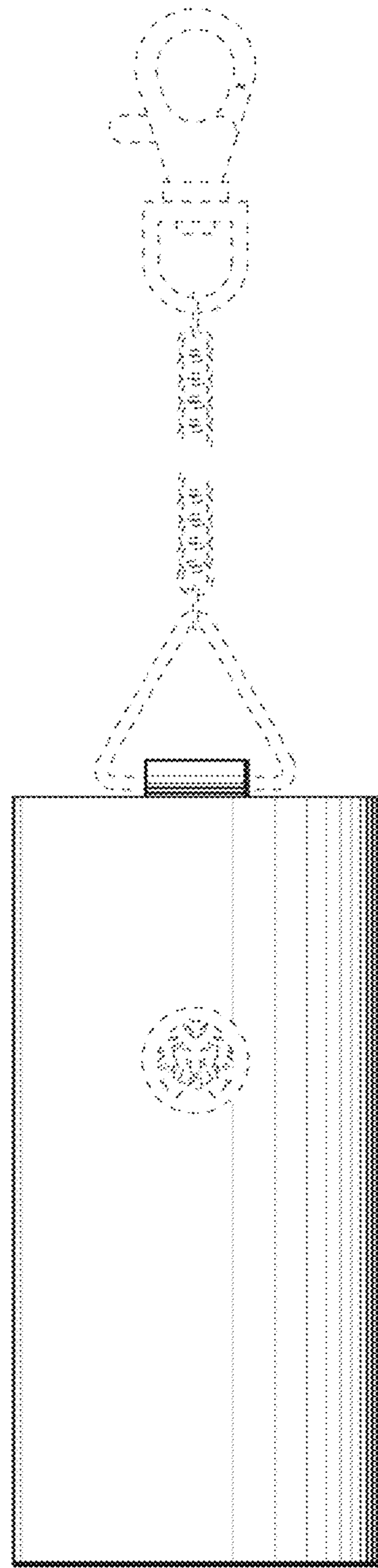


FIG. 5

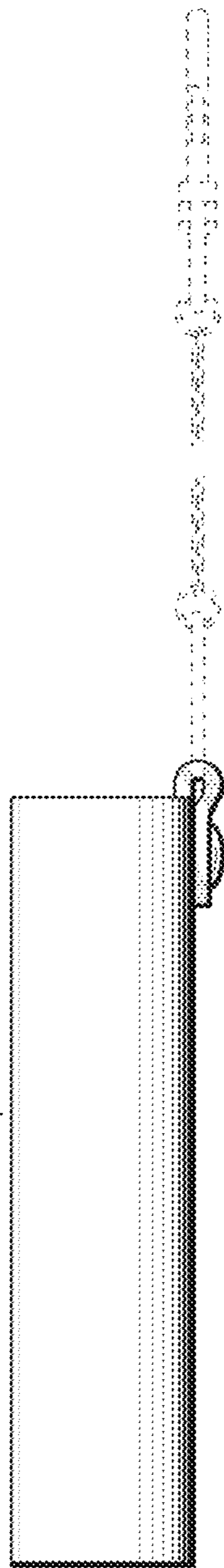


FIG. 6

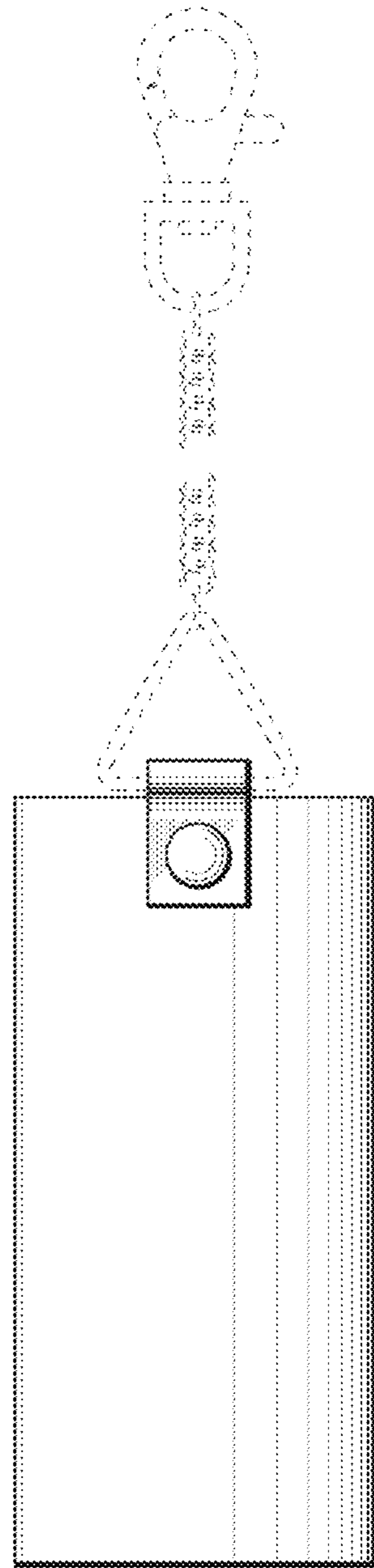


FIG. 7