



US00D801578S

(12) **United States Design Patent** (10) **Patent No.:** **US D801,578 S**  
**Keefe** (45) **Date of Patent:** **\*\* Oct. 31, 2017**

(54) **FLOWER SHAPED ASHTRAY**  
(71) Applicant: **Lisa Keefe**, Granbury, TX (US)  
(72) Inventor: **Lisa Keefe**, Granbury, TX (US)  
(\*\*) Term: **15 Years**  
(21) Appl. No.: **29/574,098**  
(22) Filed: **Aug. 11, 2016**  
(51) **LOC (10) Cl.** ..... **27-03**  
(52) **U.S. Cl.**  
USPC ..... **D27/119**  
(58) **Field of Classification Search**  
USPC ..... D21/496, 628; D19/151-153; D27/102,  
D27/104, 105, 106, 107, 111, 117, 119,  
D27/122, 123  
CPC . A24D 1/12; A24F 19/00; A24F 21/00; A24F  
15/00; A24F 15/005; A24F 15/02; A24F  
15/0042; A24F 15/0057; A24F 15/0071;  
A24F 15/0092  
See application file for complete search history.

D312,848 S \* 12/1990 Kataoka ..... D21/586  
D312,850 S \* 12/1990 Kataoka ..... D21/585  
D312,851 S \* 12/1990 Kataoka ..... D21/586  
D314,999 S \* 2/1991 Kataoka ..... D21/585  
6,156,088 A \* 12/2000 Cardarelli ..... A24F 19/0042  
131/231  
D480,504 S \* 10/2003 Taylor ..... D27/107  
D541,891 S \* 5/2007 Warren ..... D21/628  
D577,860 S \* 9/2008 Clark ..... D27/168  
D588,307 S \* 3/2009 Lambertz ..... D27/119

\* cited by examiner

*Primary Examiner* — Eric Goodman  
*Assistant Examiner* — Jennifer Campbell  
(74) *Attorney, Agent, or Firm* — RG Patent Consulting,  
LLC; Rachel Gilboy

(57) **CLAIM**

The ornamental design for a flower shaped ashtray, as shown and described.

**DESCRIPTION**

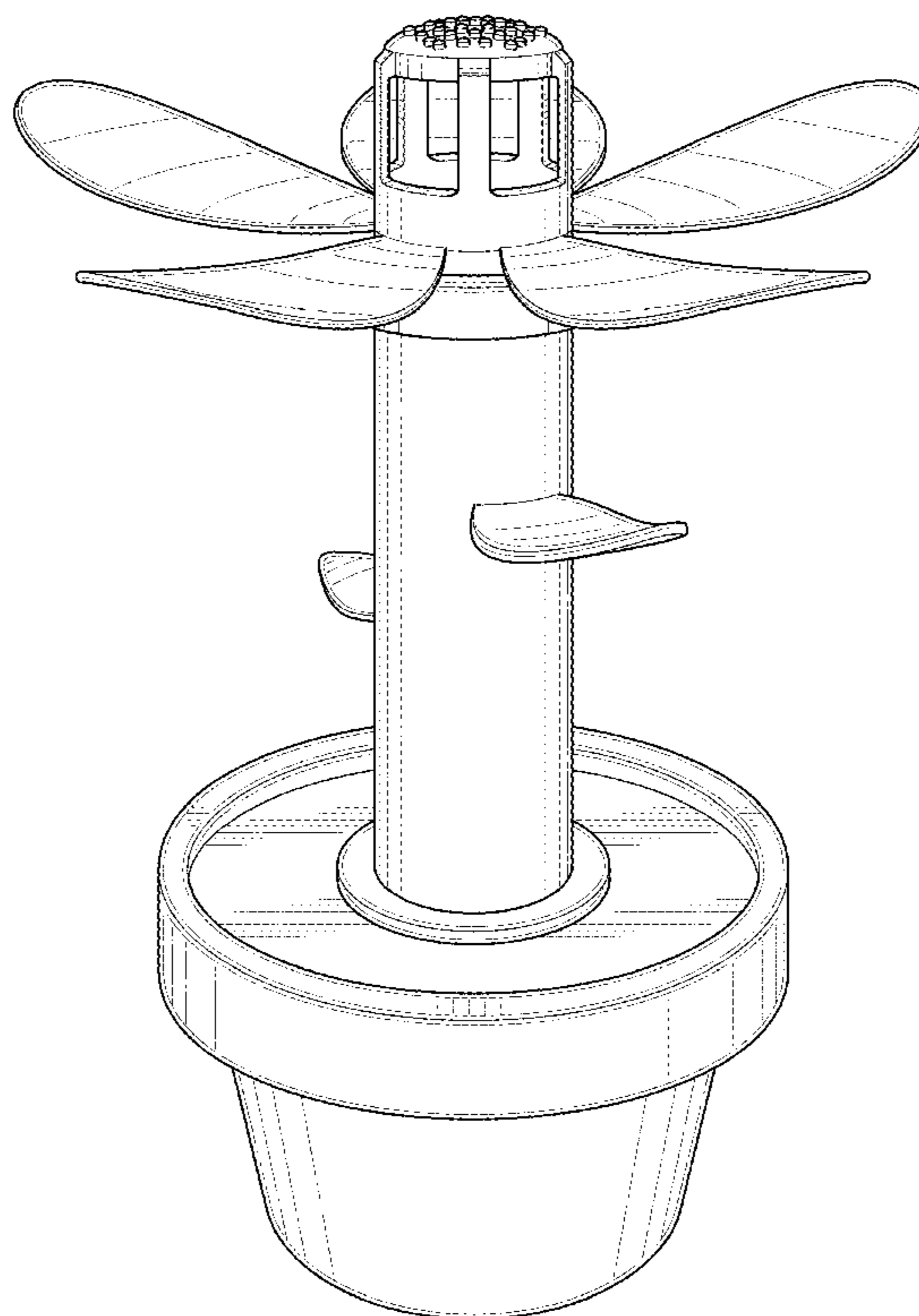
FIG. 1 is a perspective view of the flower shaped ashtray showing my new design;  
FIG. 2 is a front elevation view thereof;  
FIG. 3 is a rear elevation view thereof;  
FIG. 4 is a right elevation view thereof;  
FIG. 5 is a left elevation view thereof;  
FIG. 6 is a top plan view thereof; and,  
FIG. 7 is a bottom plan view thereof.

**1 Claim, 7 Drawing Sheets**

(56) **References Cited**

U.S. PATENT DOCUMENTS

D33,916 S \* 1/1901 William ..... D11/117  
D65,025 S \* 6/1924 Wade ..... D21/628  
D179,634 S \* 2/1957 Gemora ..... D19/135  
D193,155 S \* 7/1962 Goldman ..... D11/117  
D223,313 S \* 4/1972 White ..... D11/117  
D312,673 S \* 12/1990 Kataoka ..... D21/586



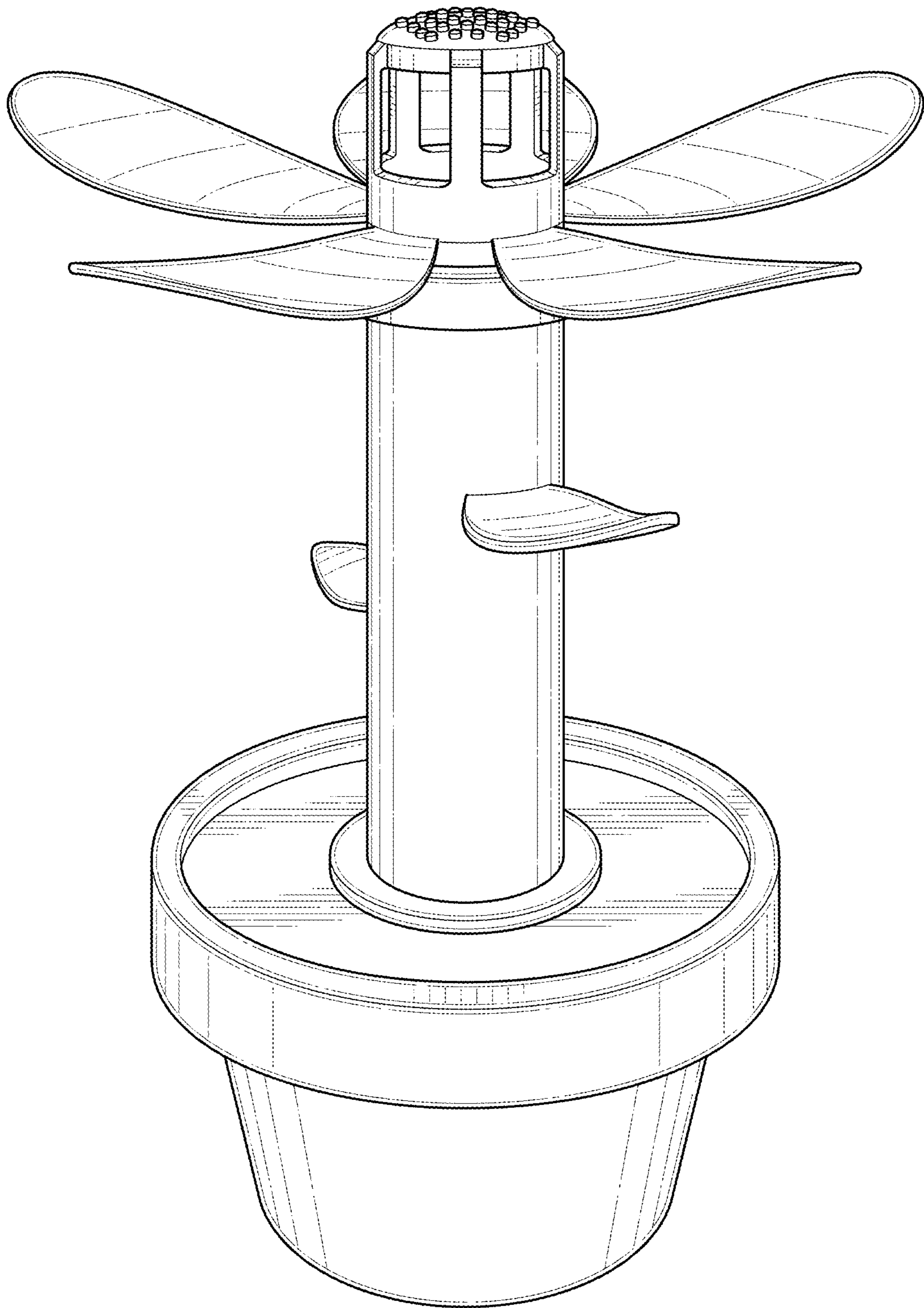


FIG. 1

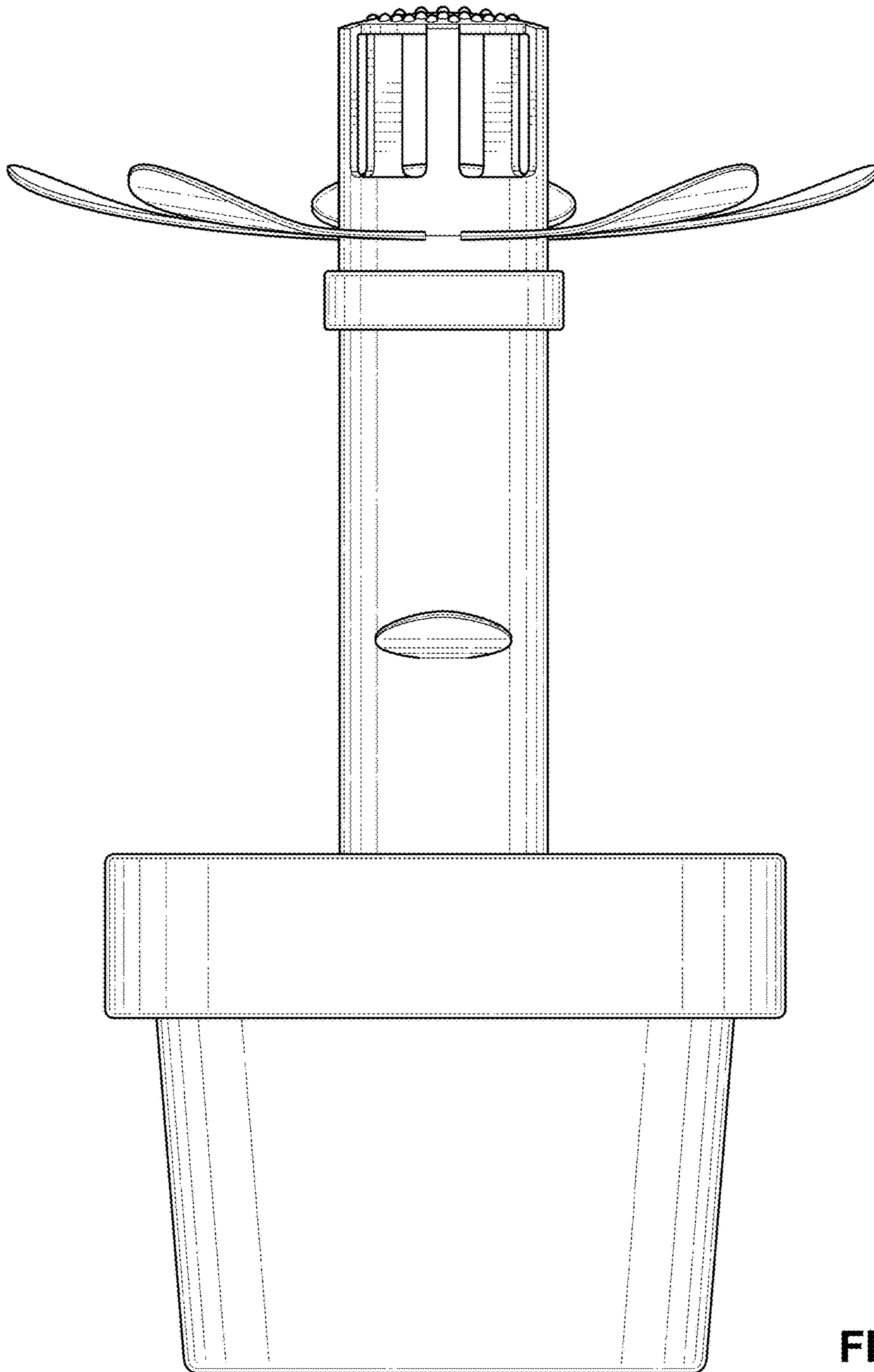


FIG. 2

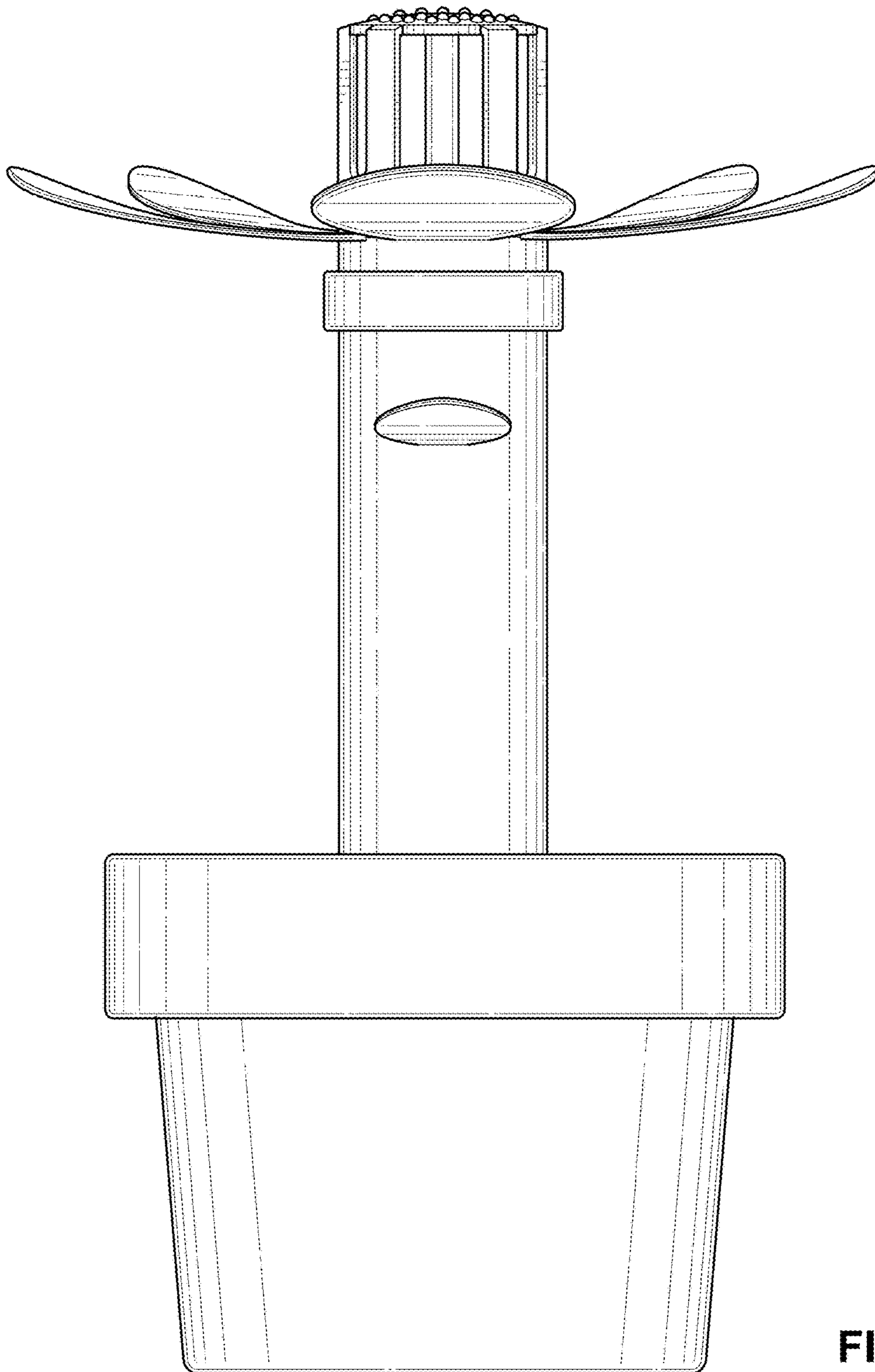


FIG. 3



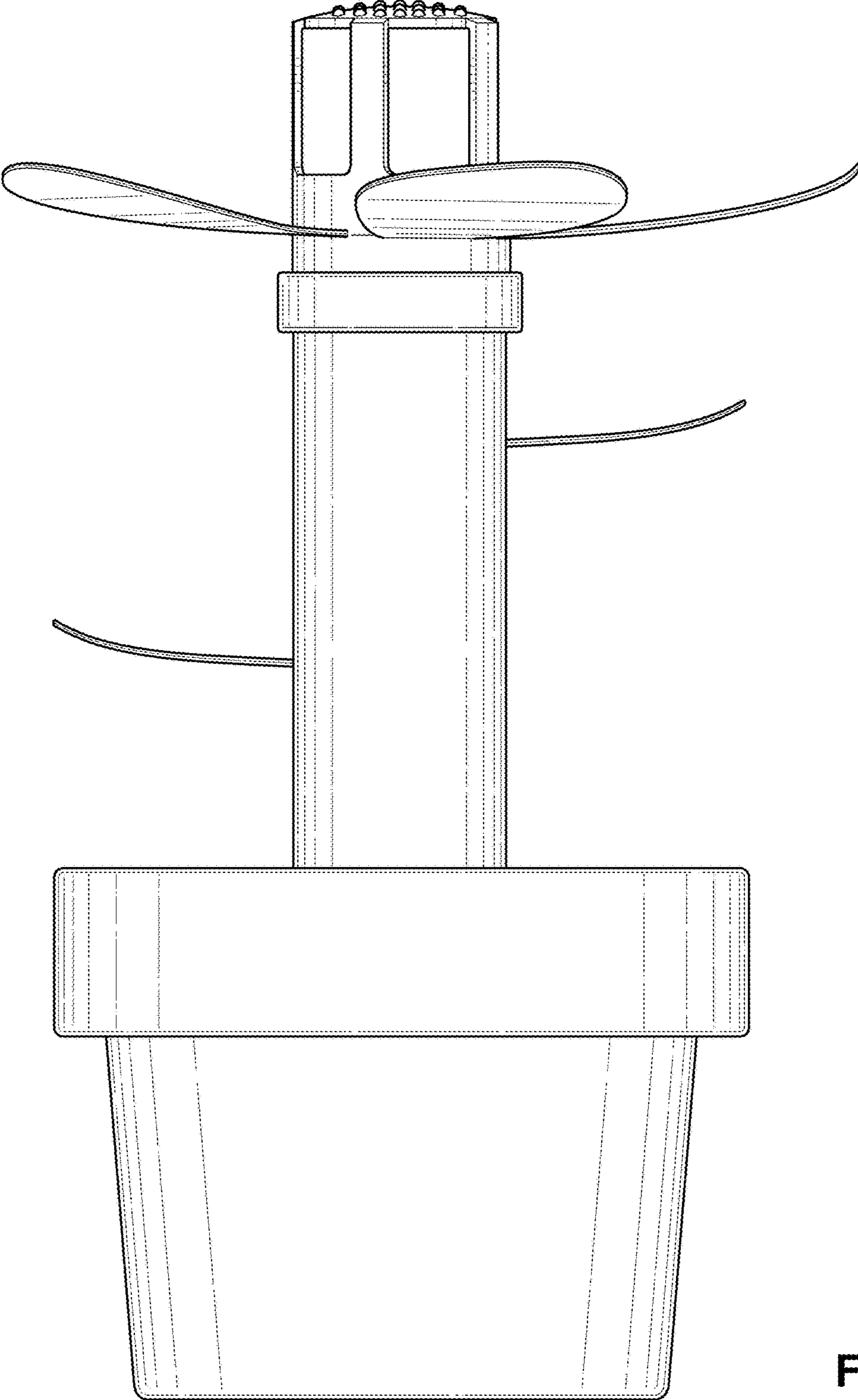


FIG. 4

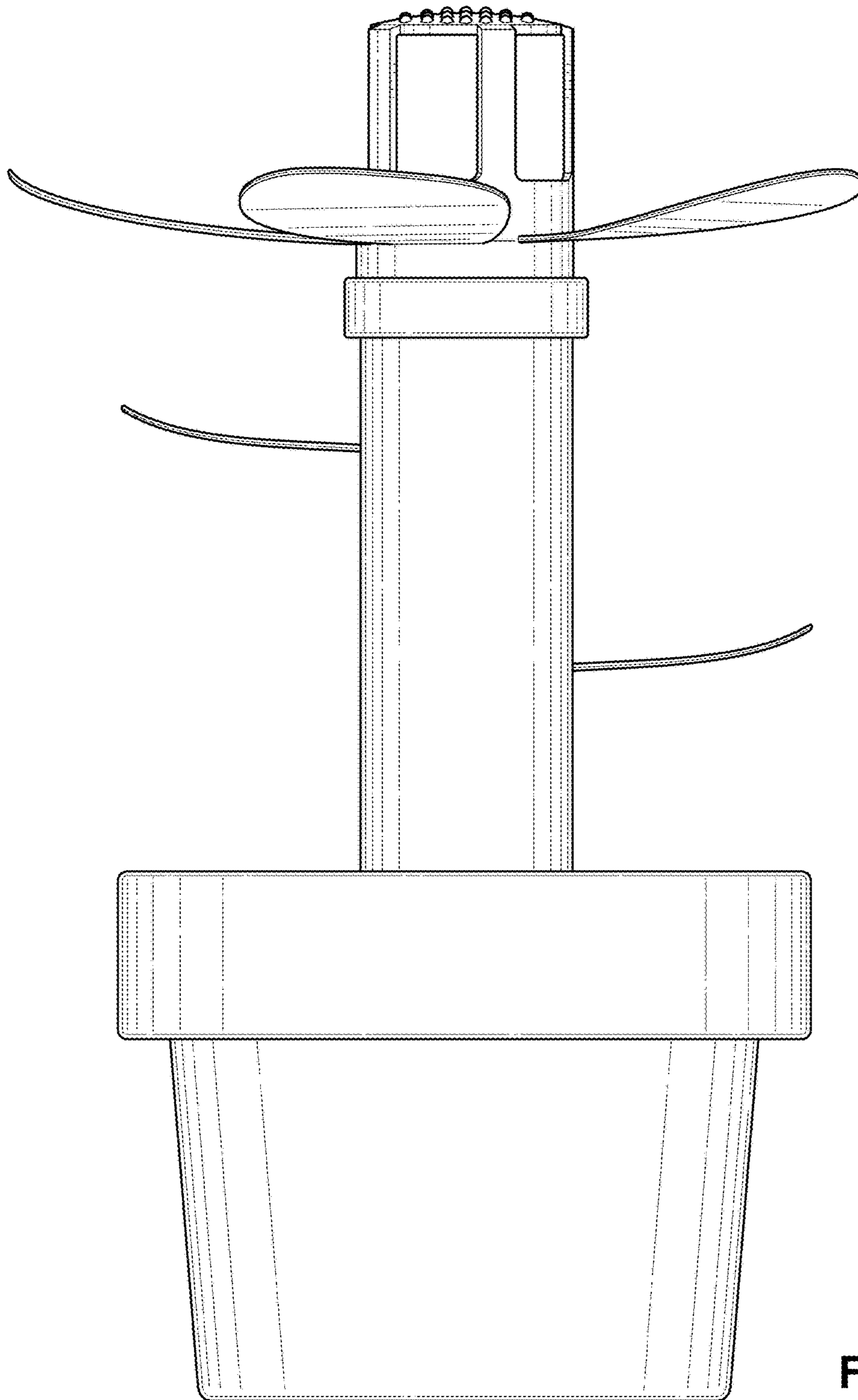
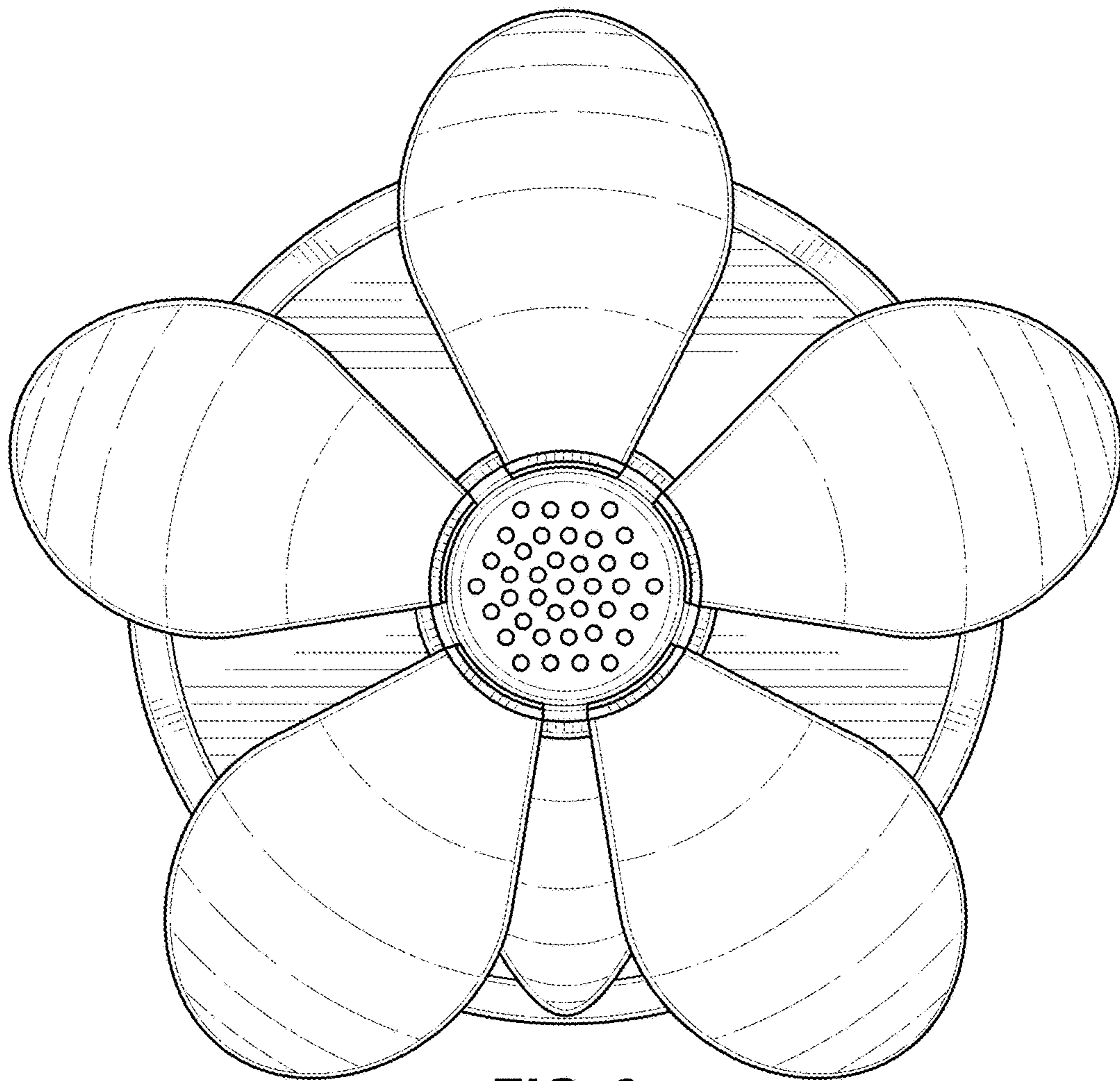
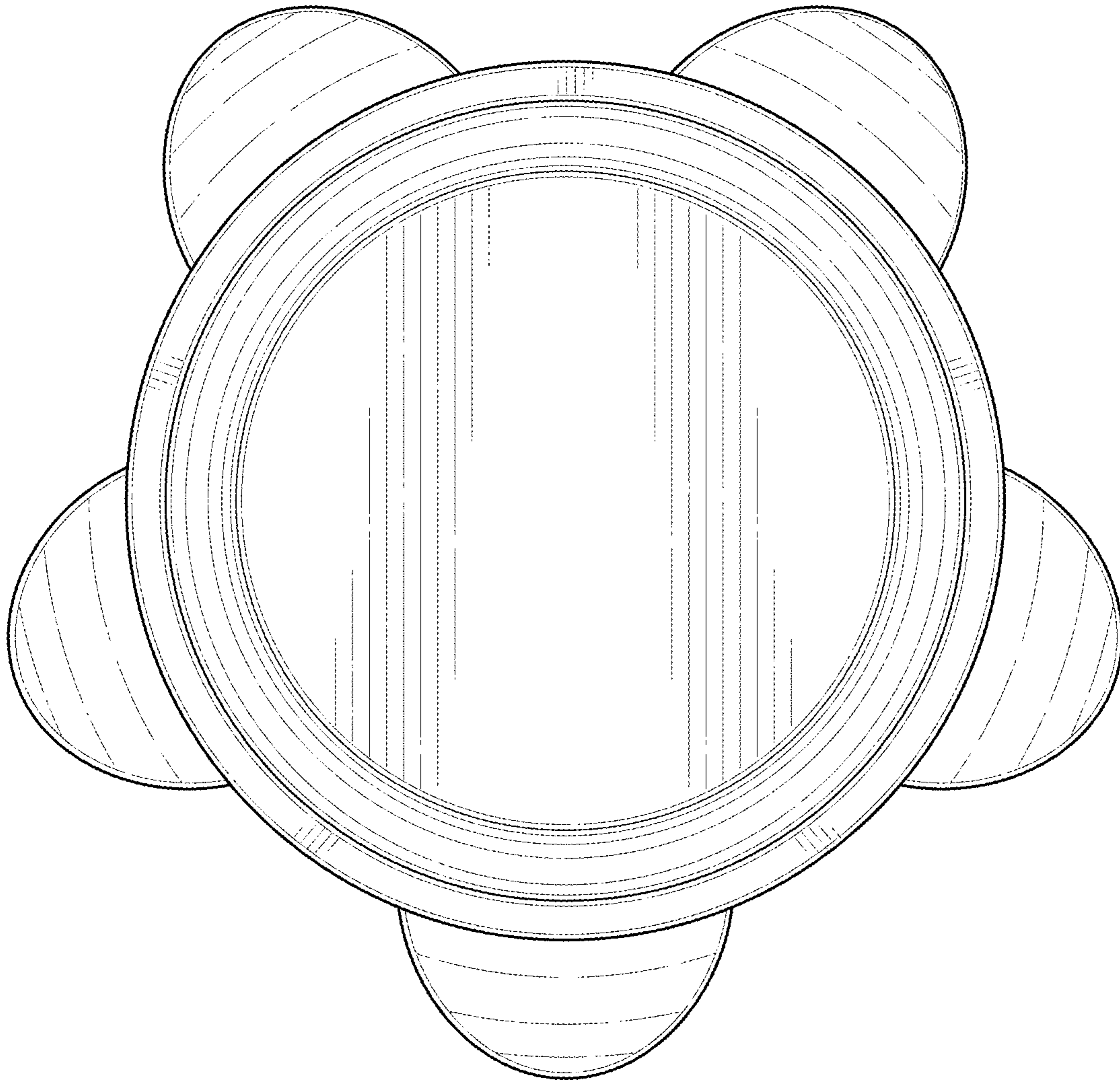


FIG. 5



**FIG. 6**



**FIG. 7**