



US00D801575S

(12) **United States Design Patent** (10) **Patent No.:** **US D801,575 S**
Chung et al. (45) **Date of Patent:** **** Oct. 31, 2017**

(54) **LIGHT FIXTURE**

(71) Applicant: **Focal Point, LLC**, Chicago, IL (US)

(72) Inventors: **Casey Chung**, Bloomingdale, IL (US); **Ken Czech**, Naperville, IL (US); **Sasha Grishina**, Brooklyn, NY (US); **Susan Jill Grossinger**, Los Angeles, CA (US); **Thomas Adam Kaczkowski**, University City, MO (US); **Phillip David Ziolkowski**, Richmond Heights, MO (US)

(73) Assignee: **Focal Point, LLC**, Chicago, IL (US)

(**) Term: **15 Years**

(21) Appl. No.: **29/562,509**

(22) Filed: **Apr. 26, 2016**

(51) **LOC (10) Cl.** **26-99**

(52) **U.S. Cl.**
USPC **D26/120**

(58) **Field of Classification Search**
USPC D26/74, 24, 72, 75, 76, 78, 79, 81, 82, D26/88, 89, 91, 113, 118, 119, 120, 138, D26/141, 142; D6/300, 308
CPC F21S 8/02; F21S 8/026; F21Y 2111/002; F21V 7/005; F21V 21/041; F21V 21/04
See application file for complete search history.

(56) **References Cited**

U.S. PATENT DOCUMENTS

D212,899 S * 12/1968 Vesely et al. D26/24
D632,007 S * 2/2011 Kim D26/120

D642,810 S * 8/2011 Mann D6/300
D677,473 S * 3/2013 Johnson D6/300
D698,481 S * 1/2014 Wasserman D26/120
D729,438 S * 5/2015 Hillstrom D26/120
D770,083 S * 10/2016 Clark D26/120

* cited by examiner

Primary Examiner — Brian N Vinson

(74) *Attorney, Agent, or Firm* — Banner & Witcoff, Ltd.

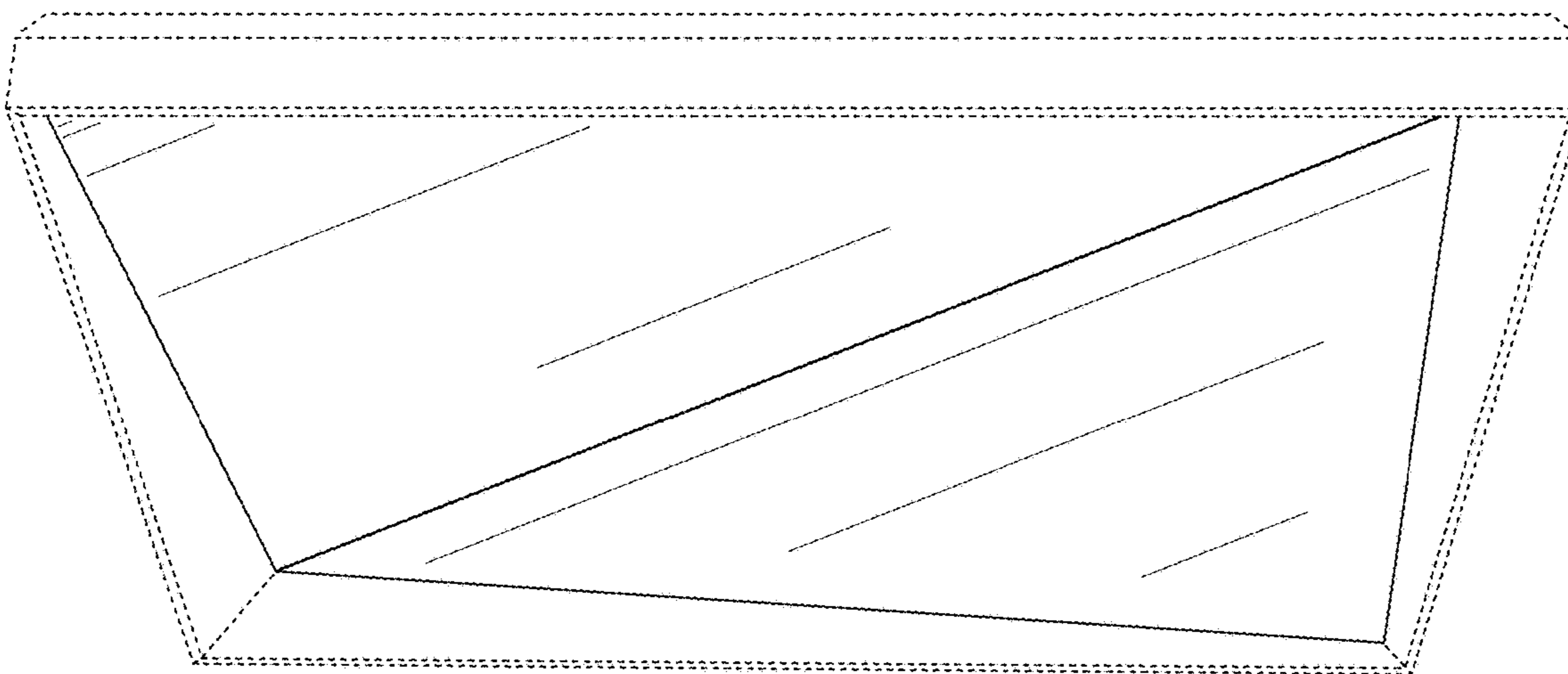
(57) **CLAIM**

The ornamental design for a light fixture, as shown and described.

DESCRIPTION

FIG. 1 is a bottom perspective view of a light fixture showing our new design;
FIG. 1A is an alternate bottom perspective view thereof;
FIG. 2 is a top perspective view thereof;
FIG. 3 is a bottom view thereof;
FIG. 4 is a top view thereof;
FIG. 5 is a front view thereof, wherein the rear view, right side view and left side view are mirror images and identical thereto; and,
FIG. 6 is a cross-sectional view at 6-6 in FIG. 2 thereof.
The broken lines immediately adjacent to the shaded areas represent unclaimed boundaries of the design, and the remaining broken lines represent portions of the fixture which form no part of the claimed design.

1 Claim, 7 Drawing Sheets



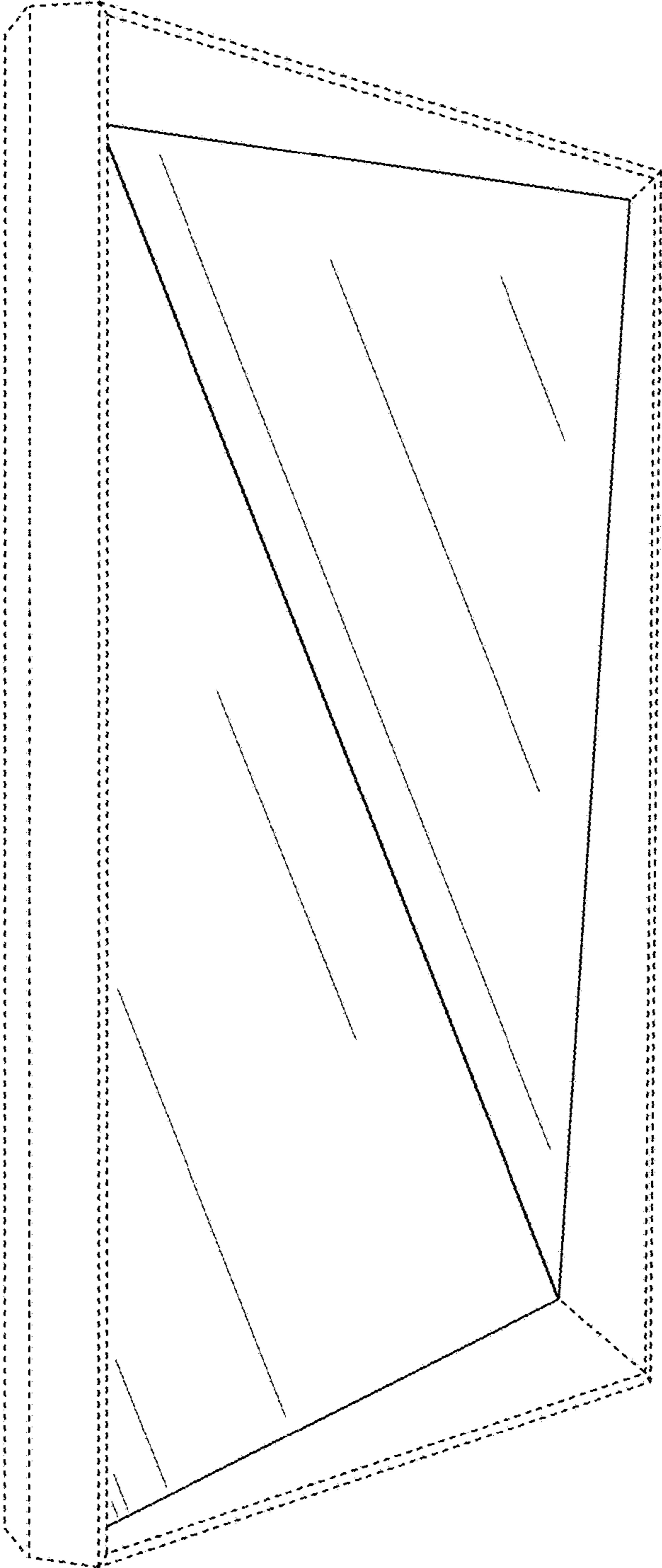


FIG. 1

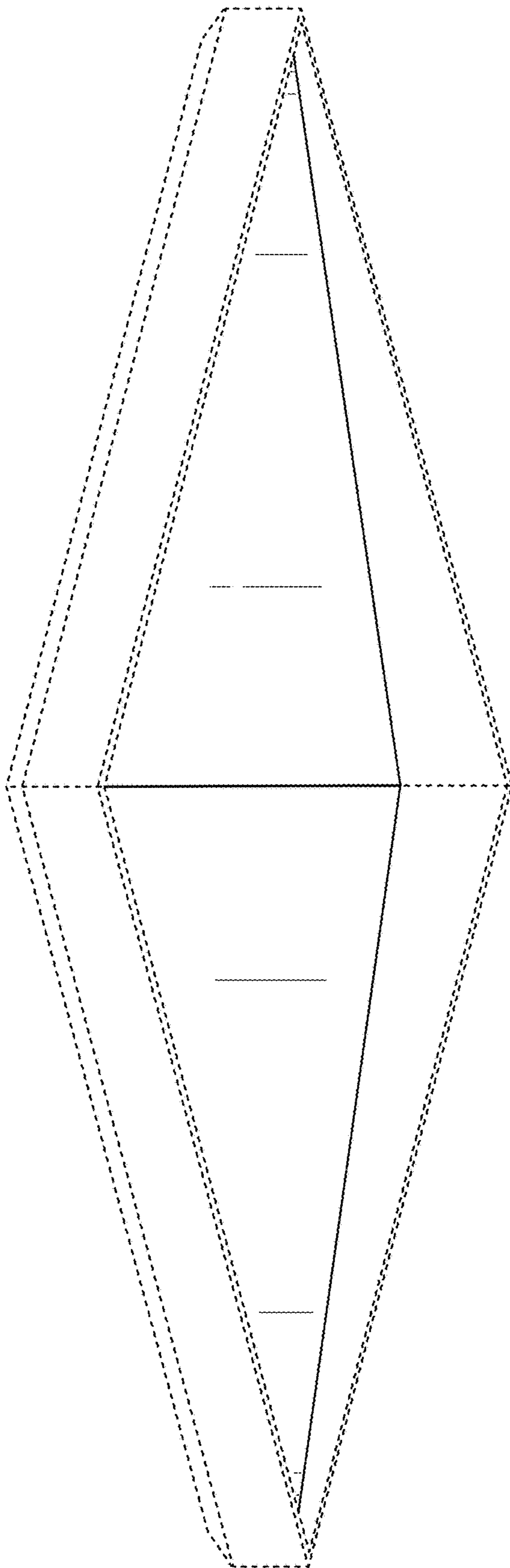


FIG. 1A

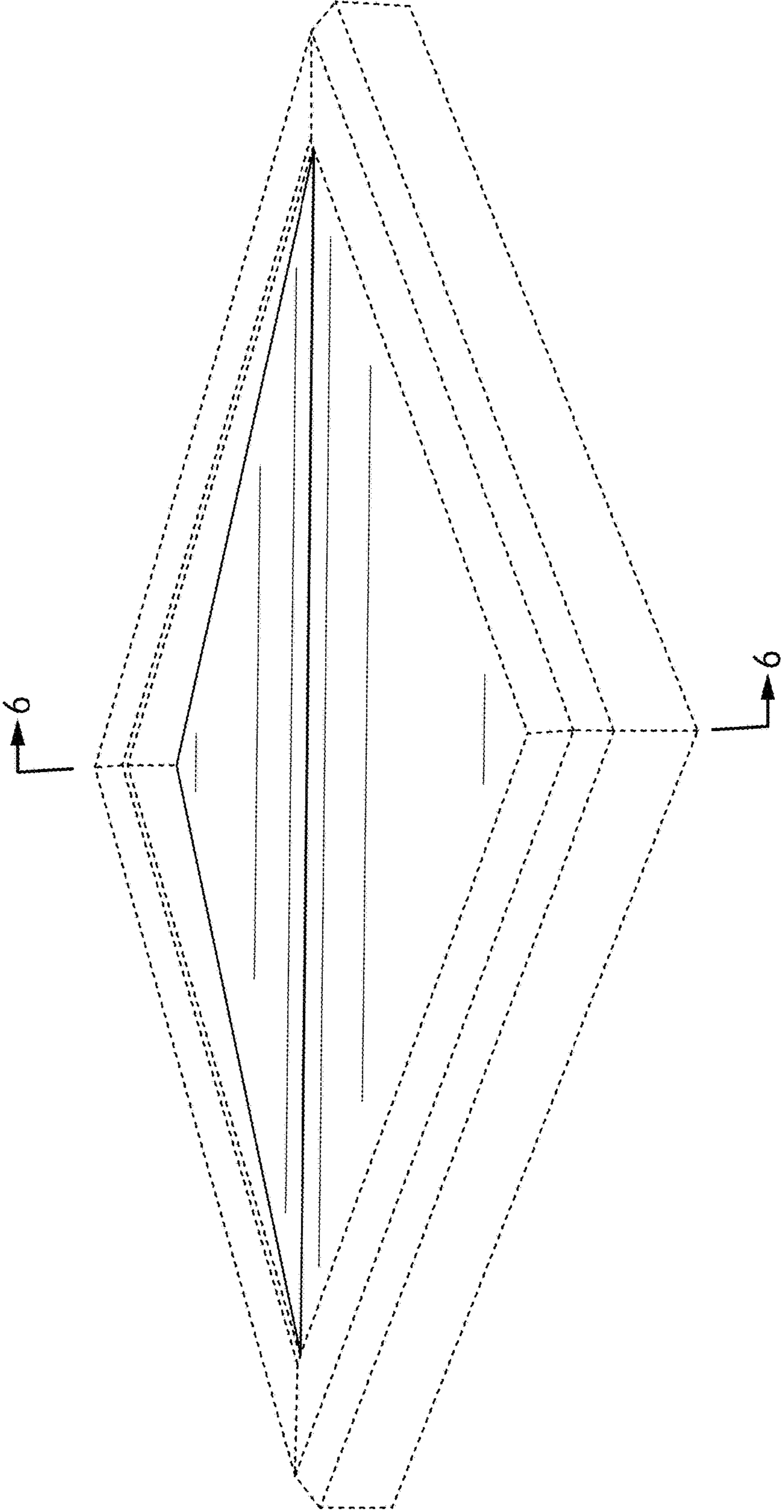


FIG. 2

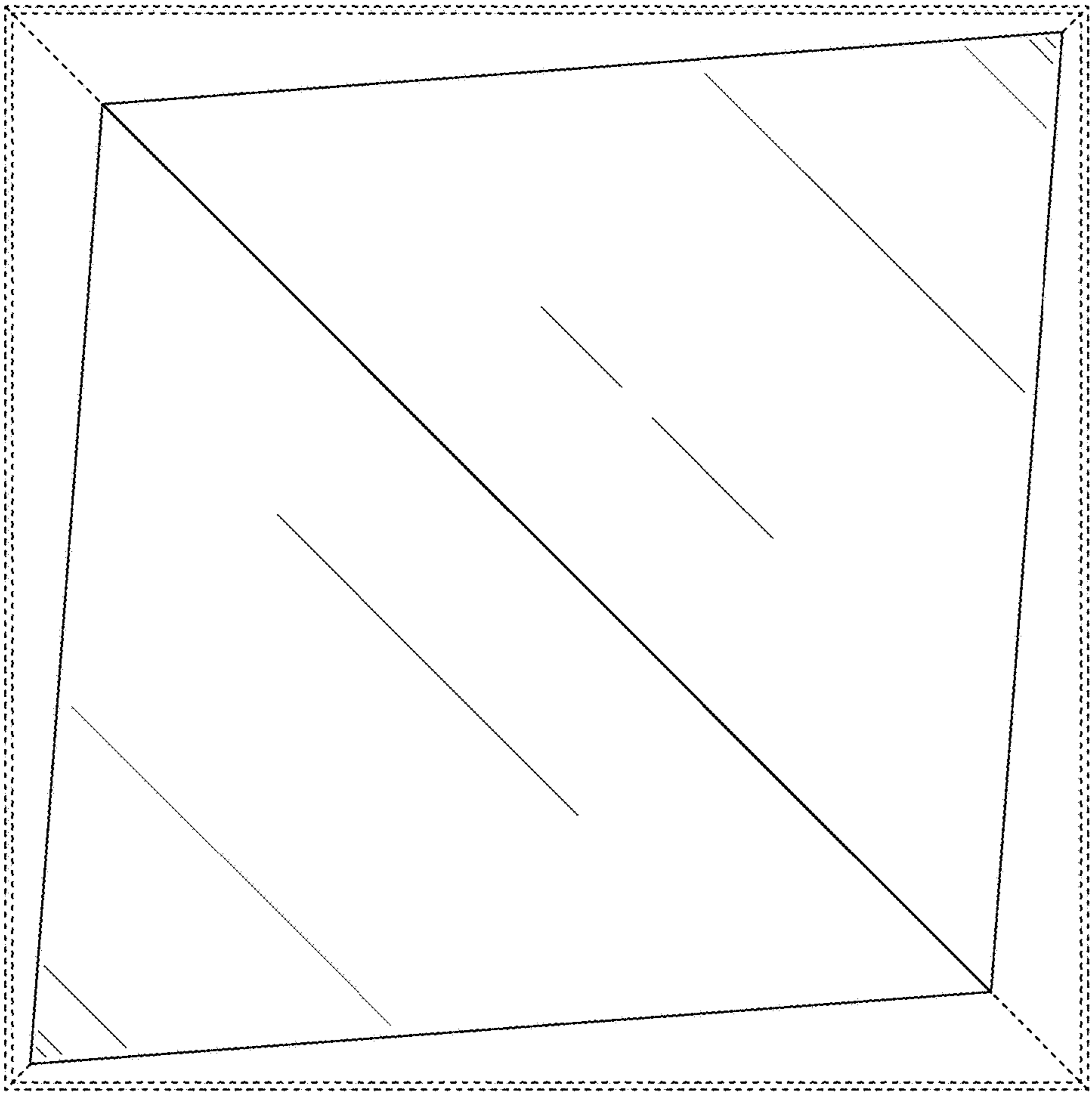


FIG. 3

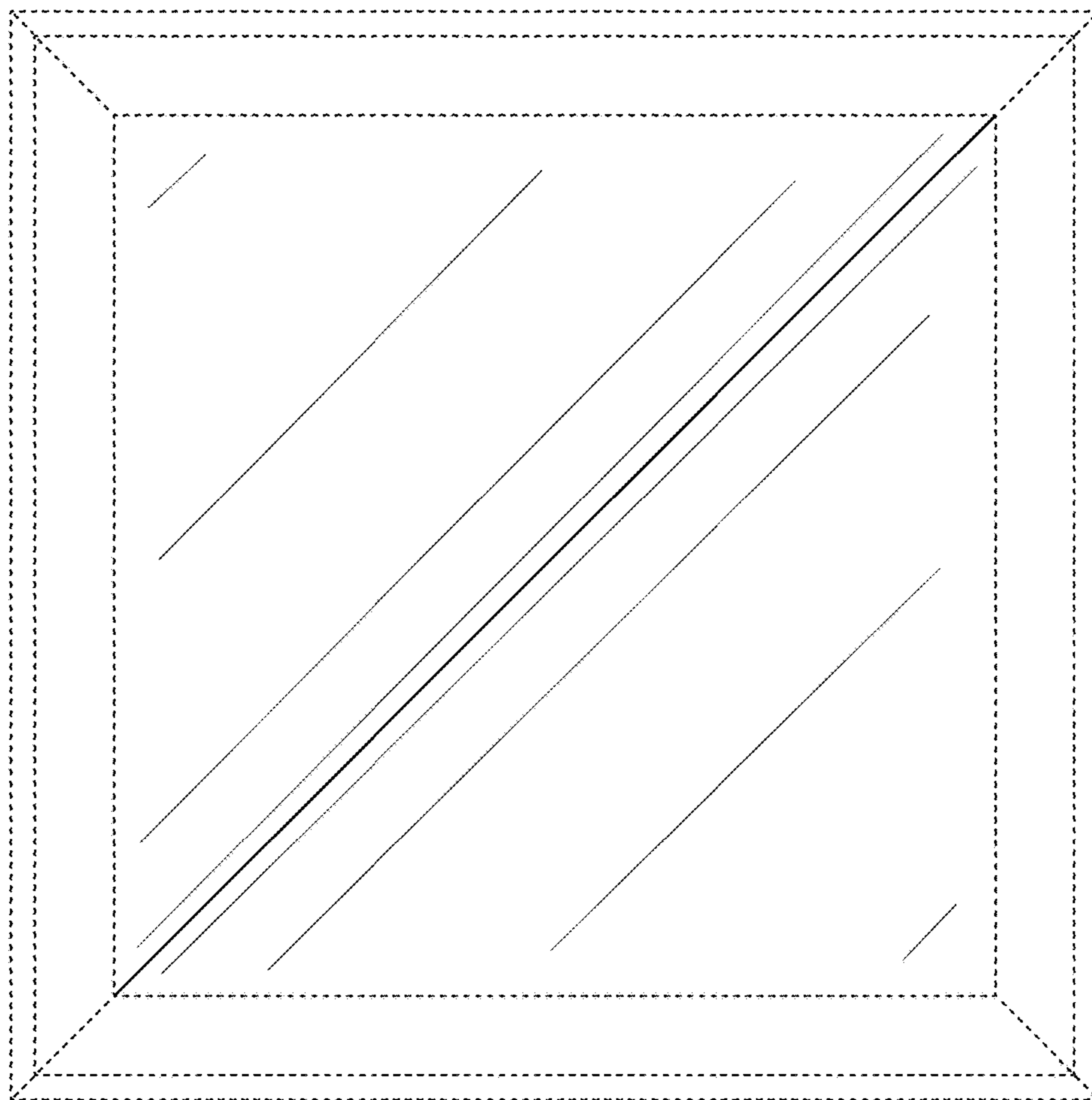


FIG. 4

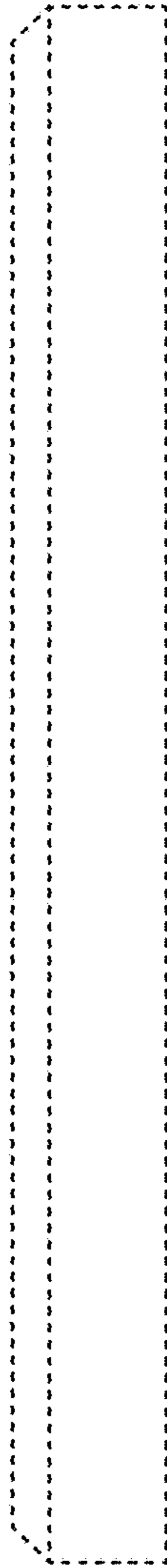


FIG. 5

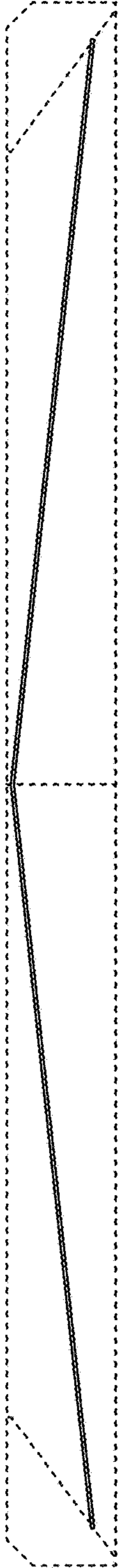


FIG. 6