



US00D801574S

(12) **United States Design Patent**
Amato et al.

(10) **Patent No.:** **US D801,574 S**

(45) **Date of Patent:** **** Oct. 31, 2017**

(54) **LIGHTING FIXTURE**

(71) Applicant: **The Urban Electric Company**, North Charleston, SC (US)

(72) Inventors: **Michael Amato**, Johns Island, SC (US); **David Dawson**, Charleston, SC (US); **Jonathan Charpia**, Summerville, SC (US); **Christopher Roof**, Charleston, SC (US); **Joeangel Casanova**, North Charleston, SC (US); **Courteney Salsbury**, Mount Pleasant, SC (US); **Brianna Magagnoli**, Charleston, SC (US)

(73) Assignee: **The Urban Electric Company**, North Charleston, SC (US)

(**) Term: **15 Years**

(21) Appl. No.: **29/558,940**

(22) Filed: **Mar. 23, 2016**

(51) **LOC (10) Cl.** **26-99**

(52) **U.S. Cl.**
USPC **D26/118**

(58) **Field of Classification Search**
USPC D26/63, 72, 84, 85, 88, 89, 113, 118
CPC F21V 21/30; F21V 21/35; F21V 29/004;
F21V 29/74; F21S 8/06; F21S 8/061;
F21S 8/066; F21S 8/068
See application file for complete search history.

(56) **References Cited**

U.S. PATENT DOCUMENTS

D467,676 S * 12/2002 Packer D26/72
D482,484 S * 11/2003 Benghozi D26/85
D506,565 S * 6/2005 Yurich D26/85

D617,031 S * 6/2010 Redfern D26/85
D646,824 S * 10/2011 Bembridge D26/85
D769,508 S * 10/2016 Rosello Gratacos D26/88

* cited by examiner

Primary Examiner — Brian N. Vinson

(74) *Attorney, Agent, or Firm* — Jeffrey T. Stover;
Haynsworth Sinkler Boyd, P.A.

(57) **CLAIM**

The ornamental design for a lighting fixture, as shown and described.

DESCRIPTION

FIG. 1 is a bottom perspective view of a new lighting fixture design;

FIG. 2 is a front elevational view thereof;

FIG. 3 is a back elevational view thereof.

FIG. 4 is a right side elevational view thereof;

FIG. 5 is a left side elevational view thereof;

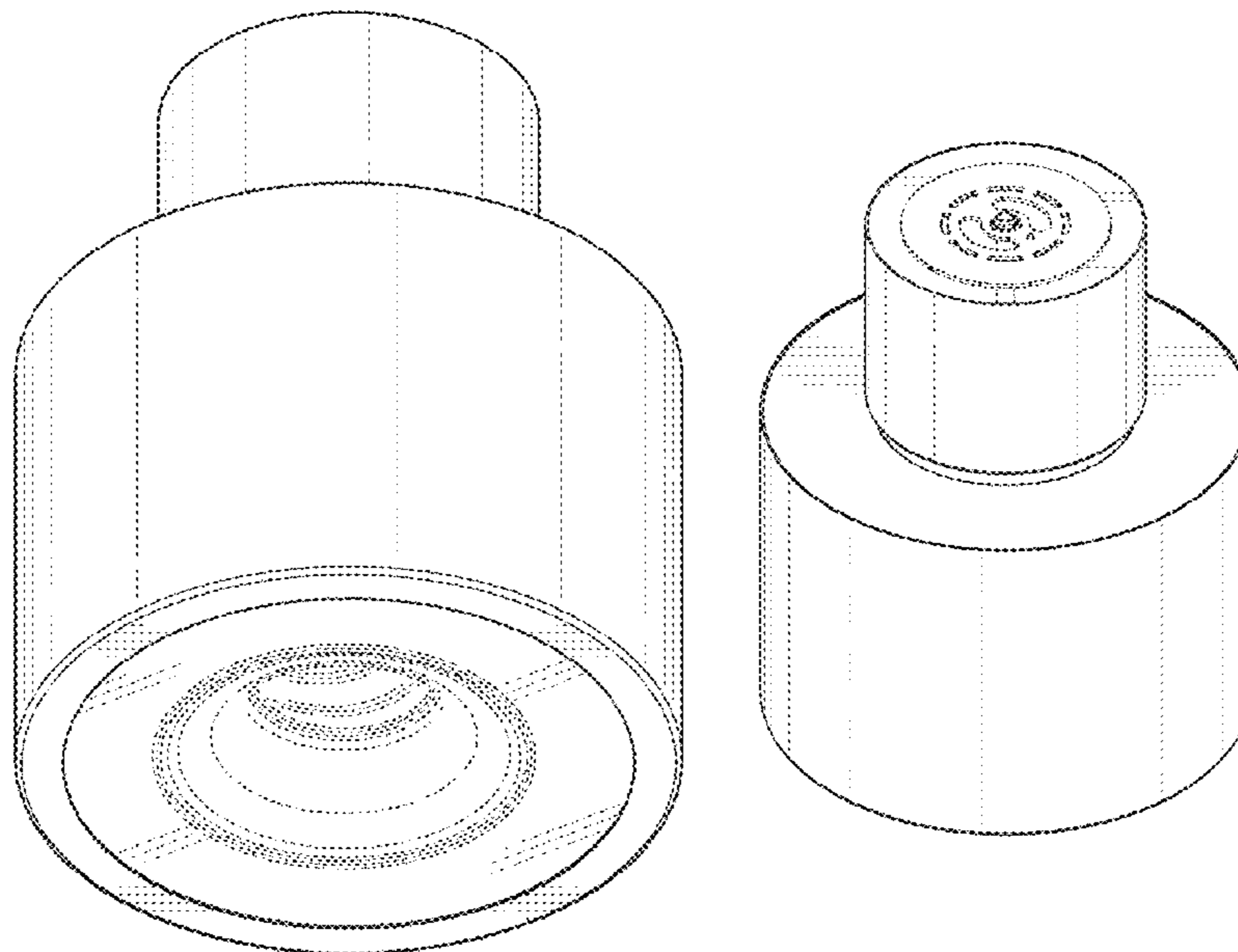
FIG. 6 is a top plan view thereof;

FIG. 7 is a bottom plan view thereof; and,

FIG. 8 is a top perspective view thereof.

The broken line disclosure represents portions of the fixture which form no part of the claimed design, and the outermost concentric circle in broken lines visible in FIGS. 1 and 7 represents an unclaimed boundary between claimed and unclaimed portions of the fixture.

1 Claim, 8 Drawing Sheets



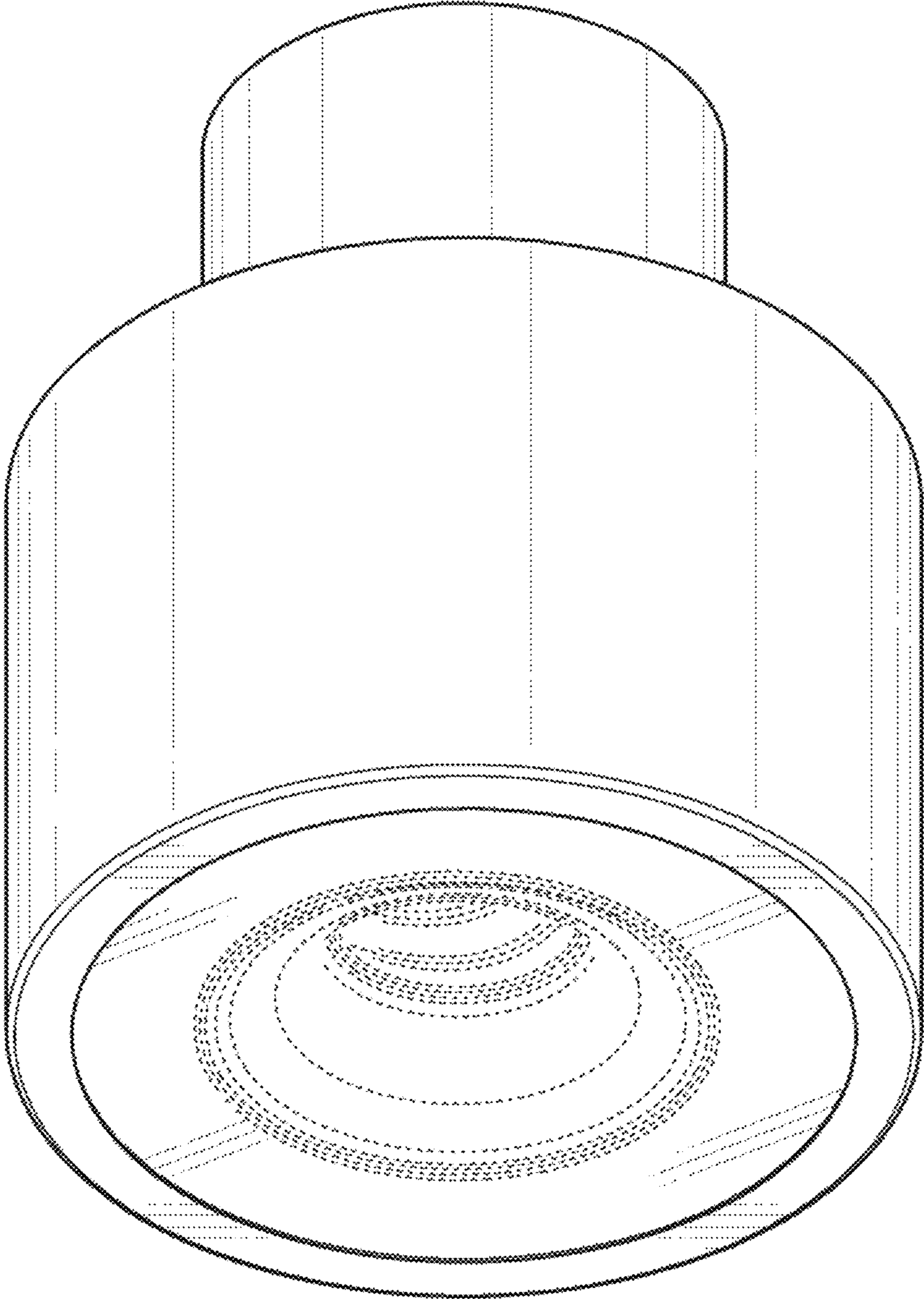


FIG. 1

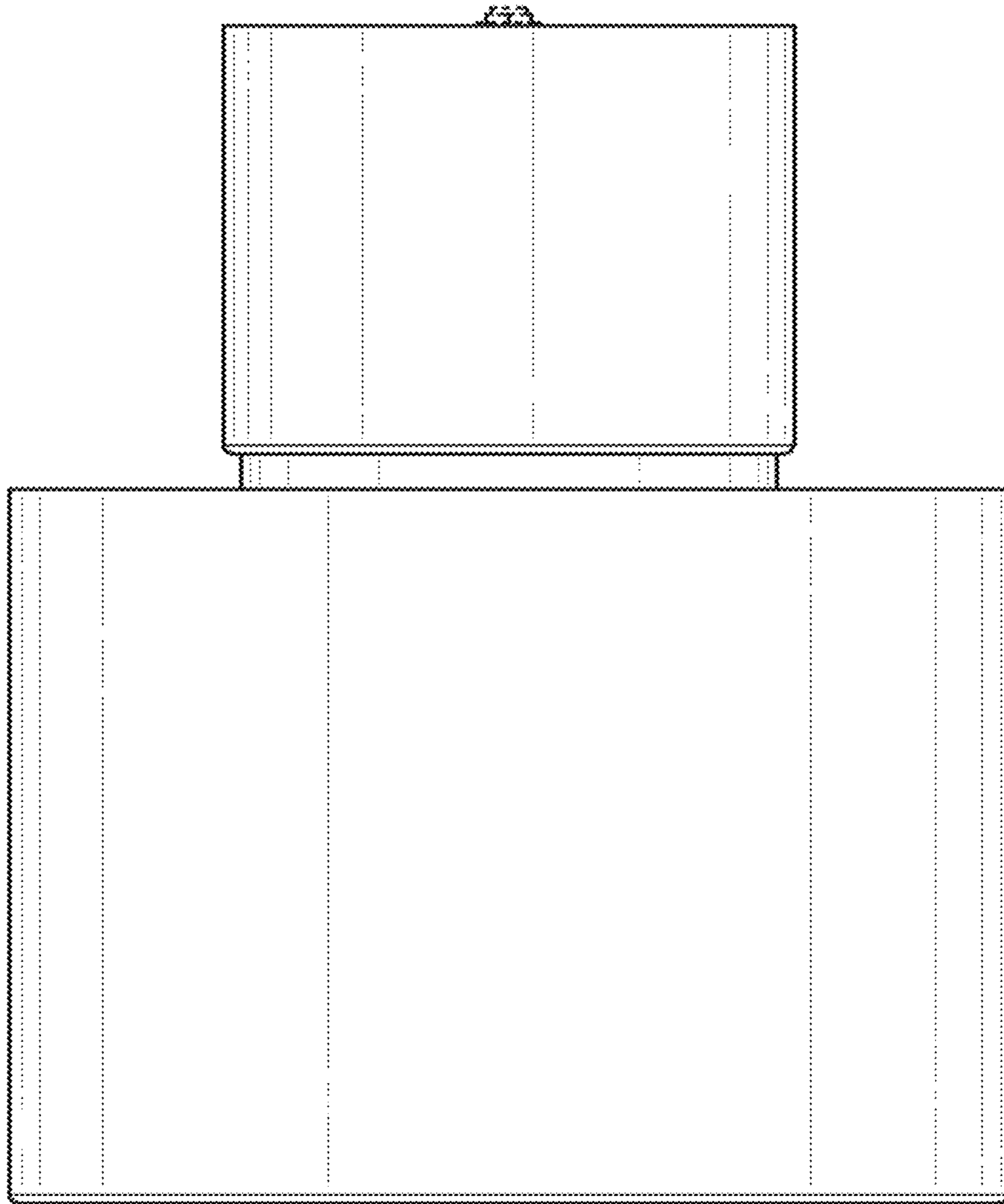


FIG. 2

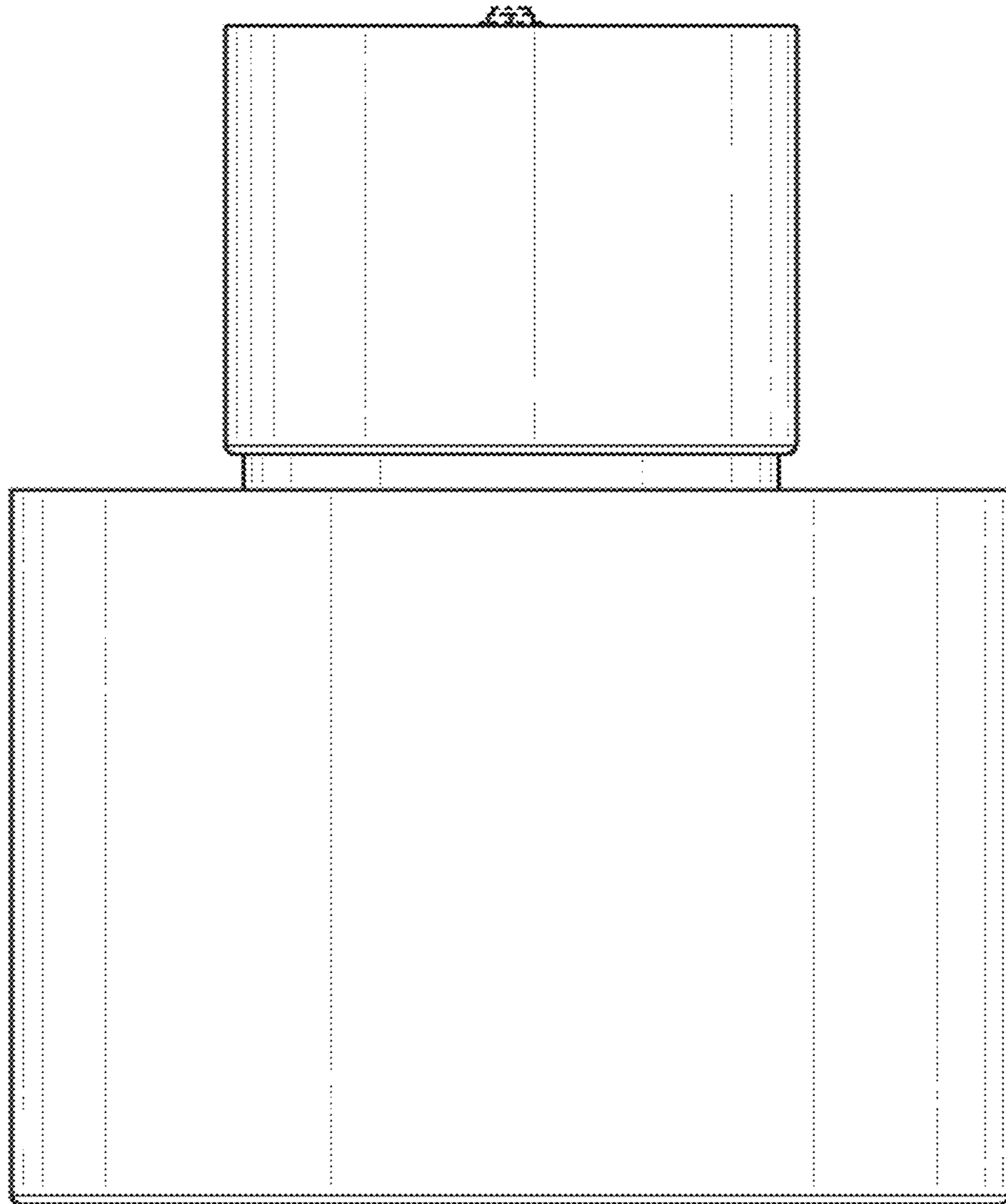


FIG. 3

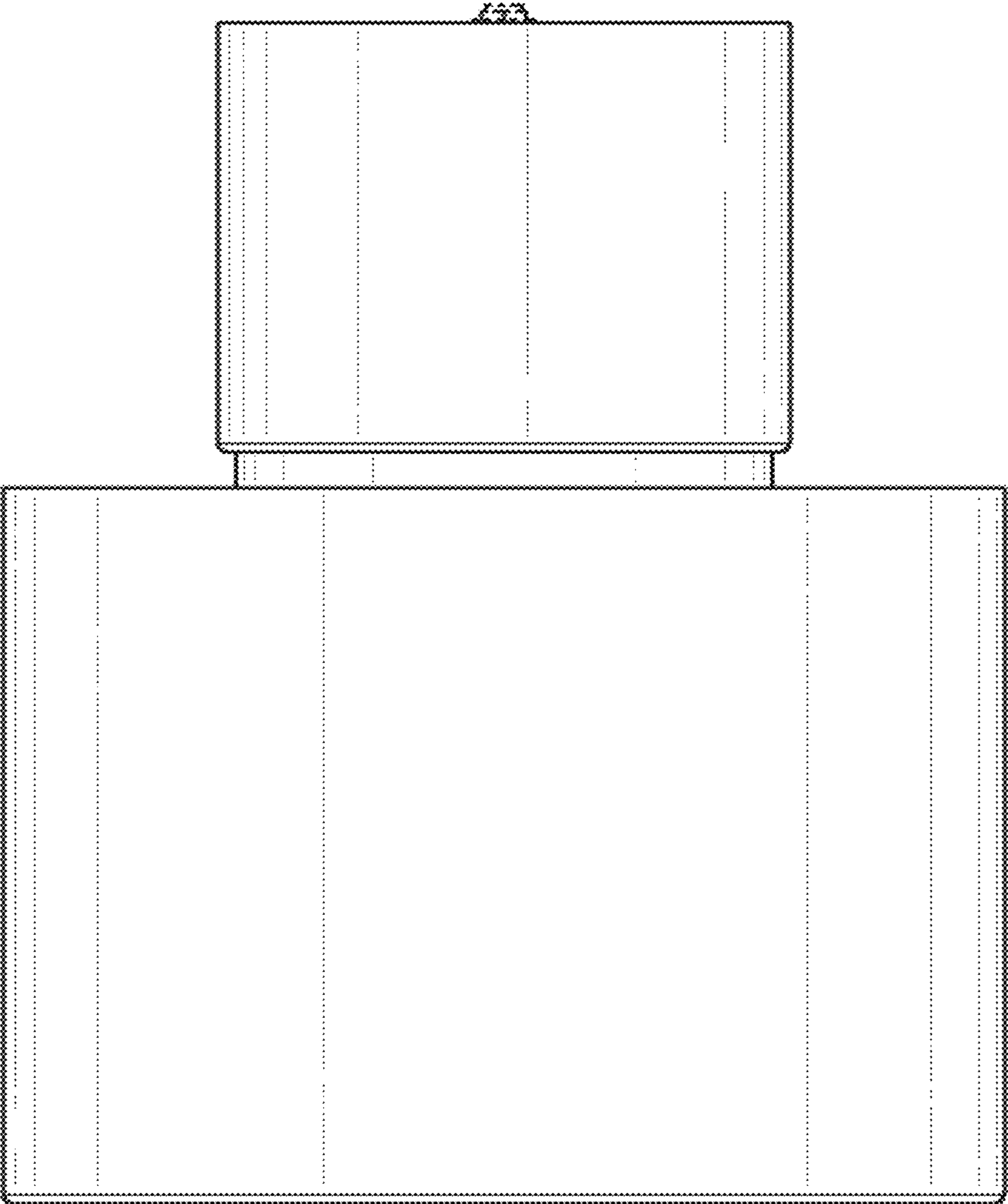


FIG. 4

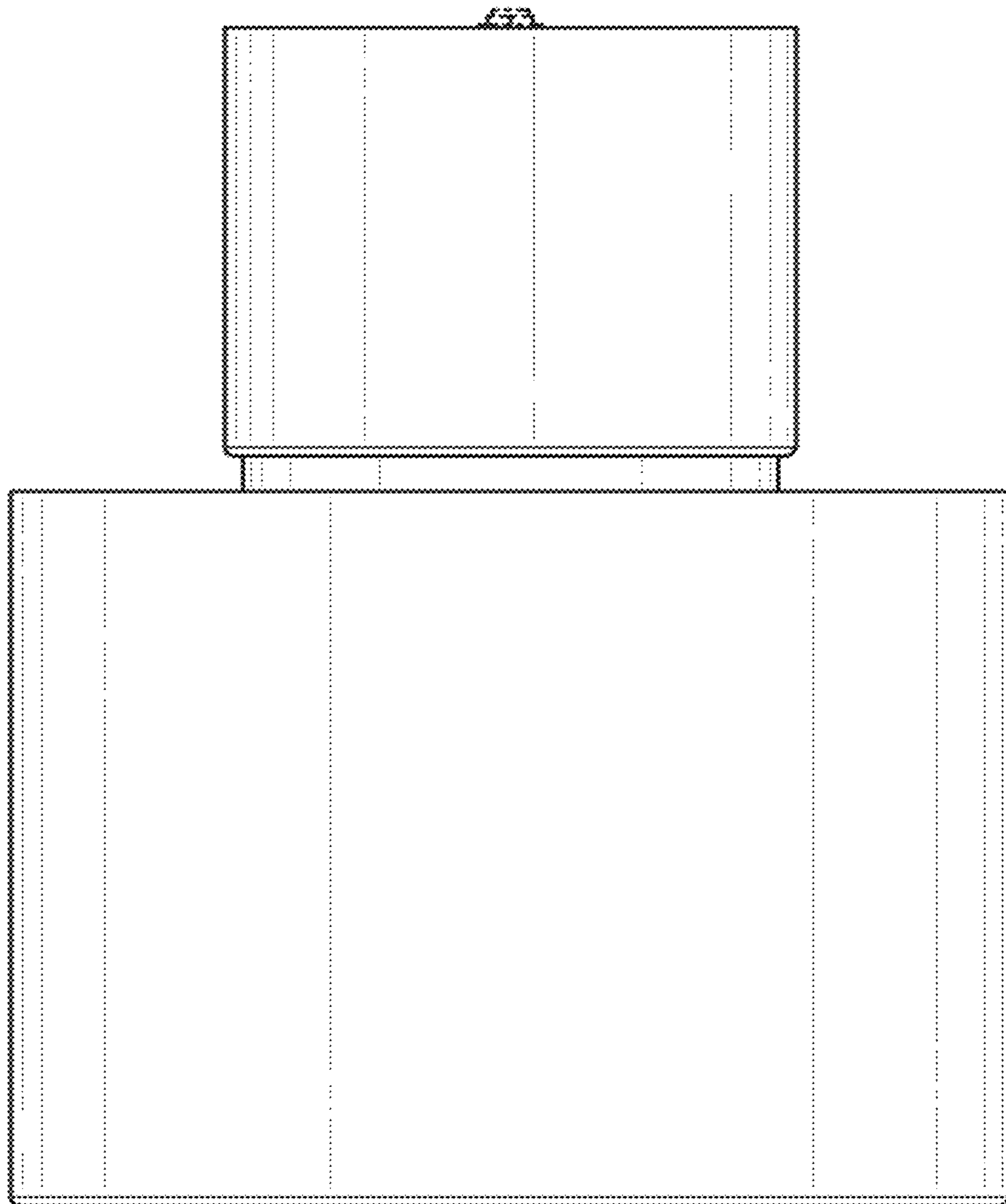


FIG. 5

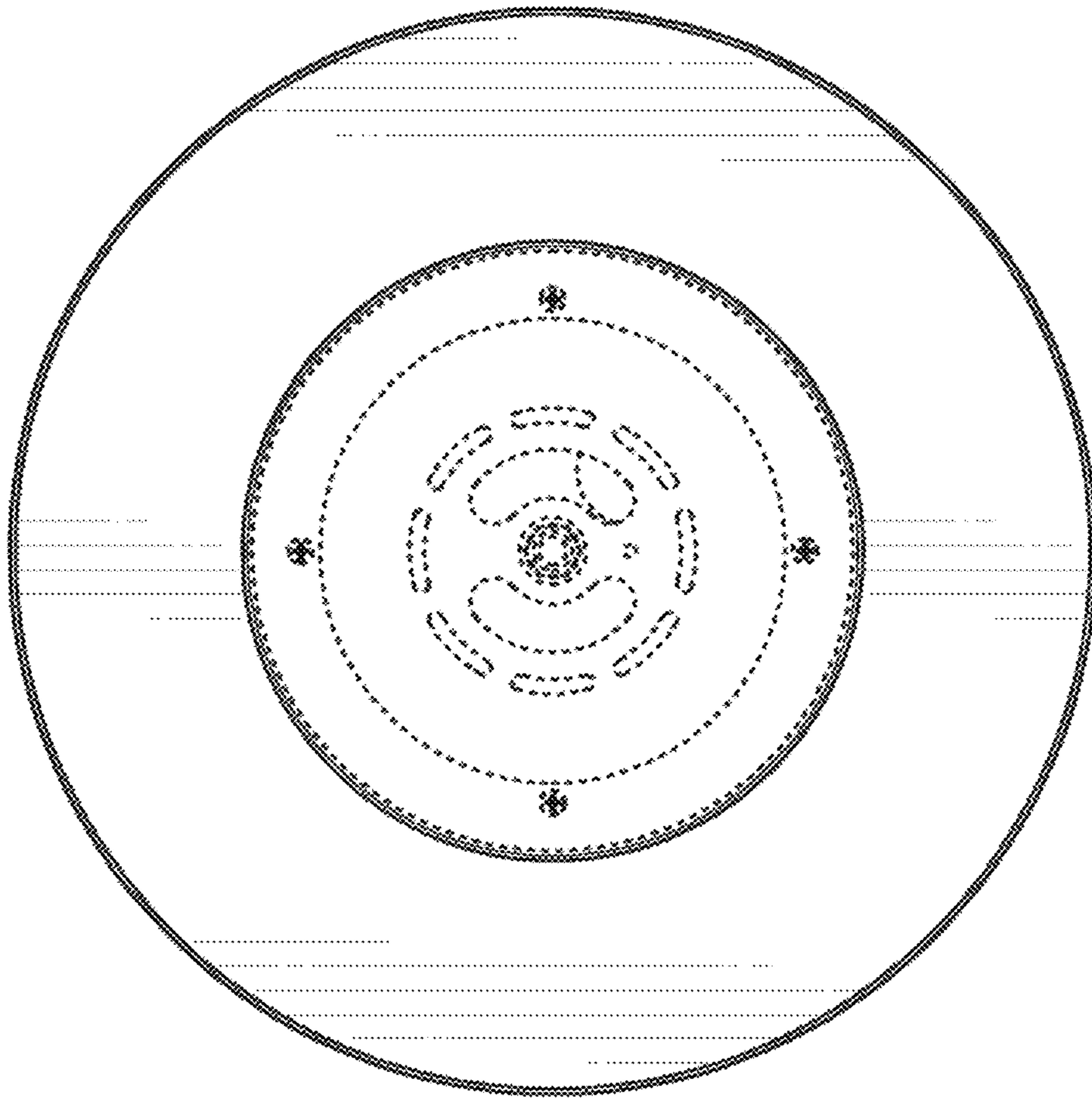


FIG. 6

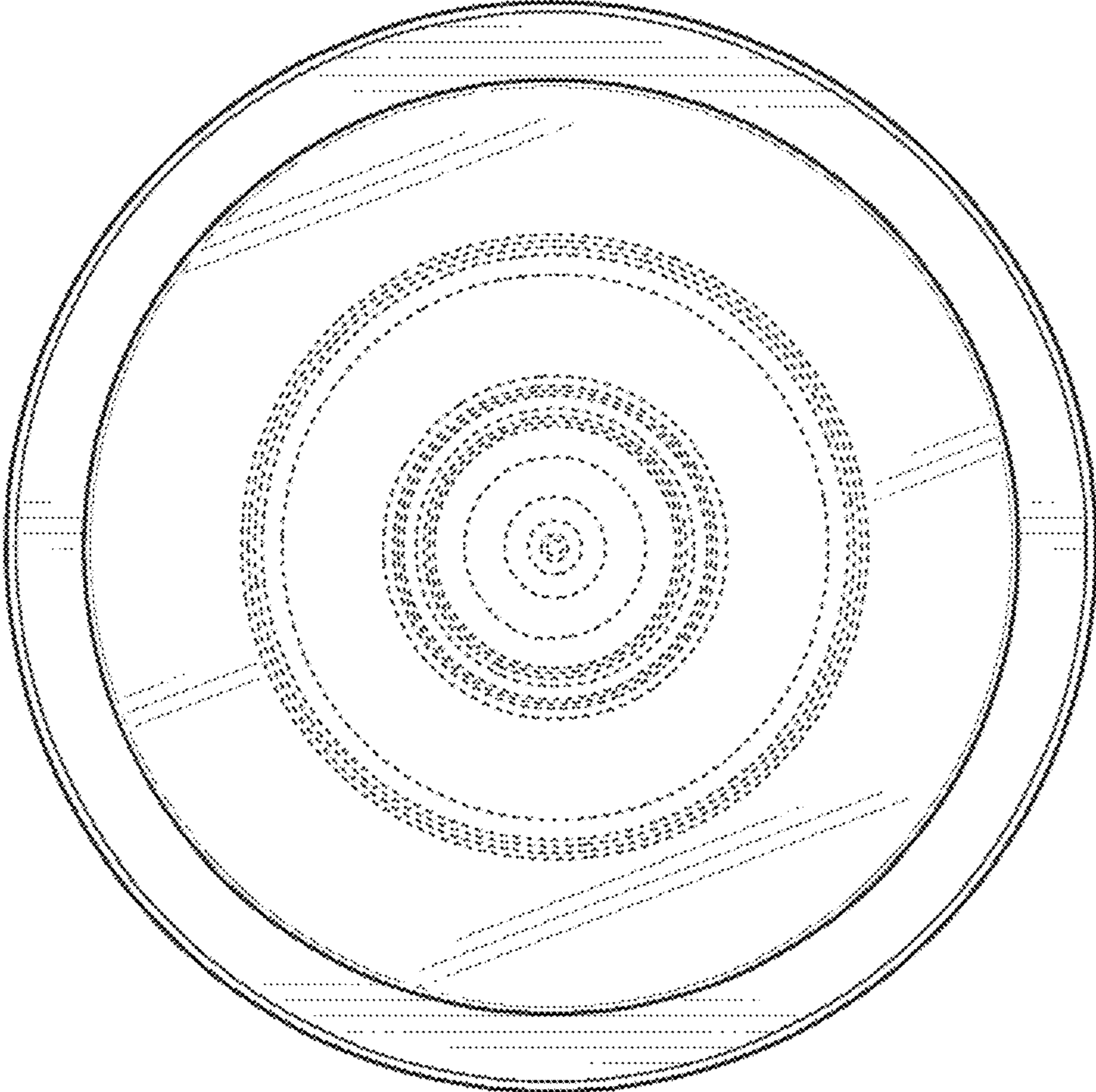


FIG. 7

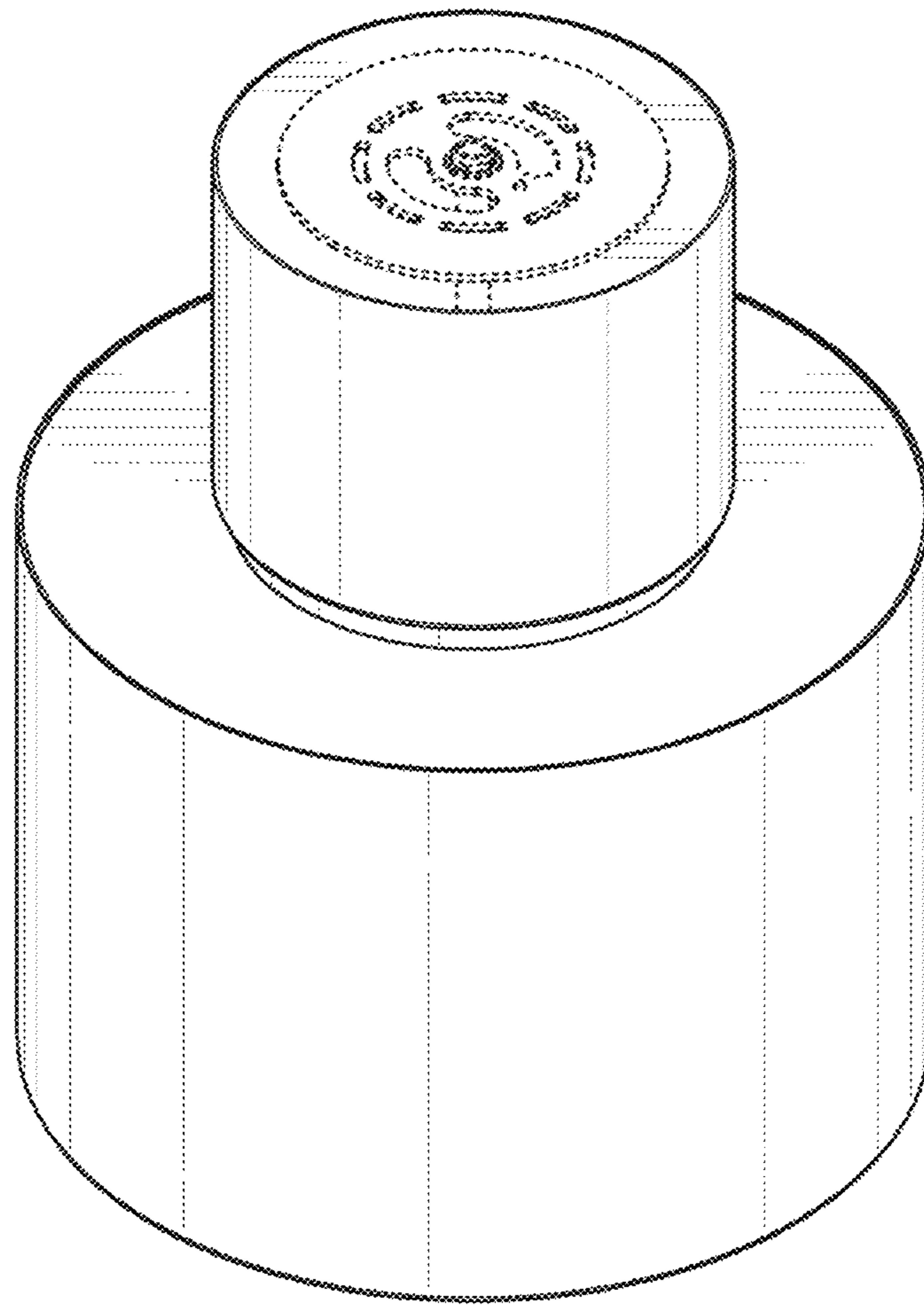


FIG. 8