



US00D801571S

(12) **United States Design Patent** (10) **Patent No.:** **US D801,571 S**  
**Hohaus** (45) **Date of Patent:** **\*\* Oct. 31, 2017**

(54) **LAMP**

(56) **References Cited**

(71) Applicant: **QUANTEC NETWORKS GMBH,**  
Goslar (DE)

U.S. PATENT DOCUMENTS

(72) Inventor: **Lars Hohaus,** Goslar (DE)

D377,536 S *	1/1997	Yuen .....	D26/26
D379,539 S *	5/1997	Yuen .....	D26/26
D452,578 S *	12/2001	Yuen .....	D26/26
D485,634 S *	1/2004	Compton .....	D26/72
D558,376 S *	12/2007	Posey .....	D26/72
D570,034 S *	5/2008	Westerheide .....	D26/118
D651,735 S *	1/2012	Dai .....	D26/72
D690,450 S *	9/2013	Guercio .....	D26/72
D703,367 S *	4/2014	Tsao .....	D26/92

(73) Assignee: **Quantec Grund GmbH & Co. KG,**  
Goslar (DE)

(\*\*) Term: **15 Years**

\* cited by examiner

(21) Appl. No.: **35/501,042**

(22) Filed: **Mar. 23, 2016**

*Primary Examiner* — Richard E Chilcot

(80) **Hague Agreement Data**

(74) *Attorney, Agent, or Firm* — Whitham, Curtis & Cook, P.C.

Int. Filing Date: **Mar. 23, 2016**

Int. Reg. No.: **DM/090791**

Int. Reg. Date: **Mar. 23, 2016**

Int. Reg. Pub. Date: **Jun. 3, 2016**

(57) **CLAIM**

The ornamental design for a lamp, as shown and described.

(30) **Foreign Application Priority Data**

Oct. 14, 2015 (EM) ..... 002822650

(51) **LOC (10) Cl.** ..... **26-03**

(52) **U.S. Cl.**  
USPC ..... **D26/92**  
CPC ..... **F21S 8/033** (2013.01)

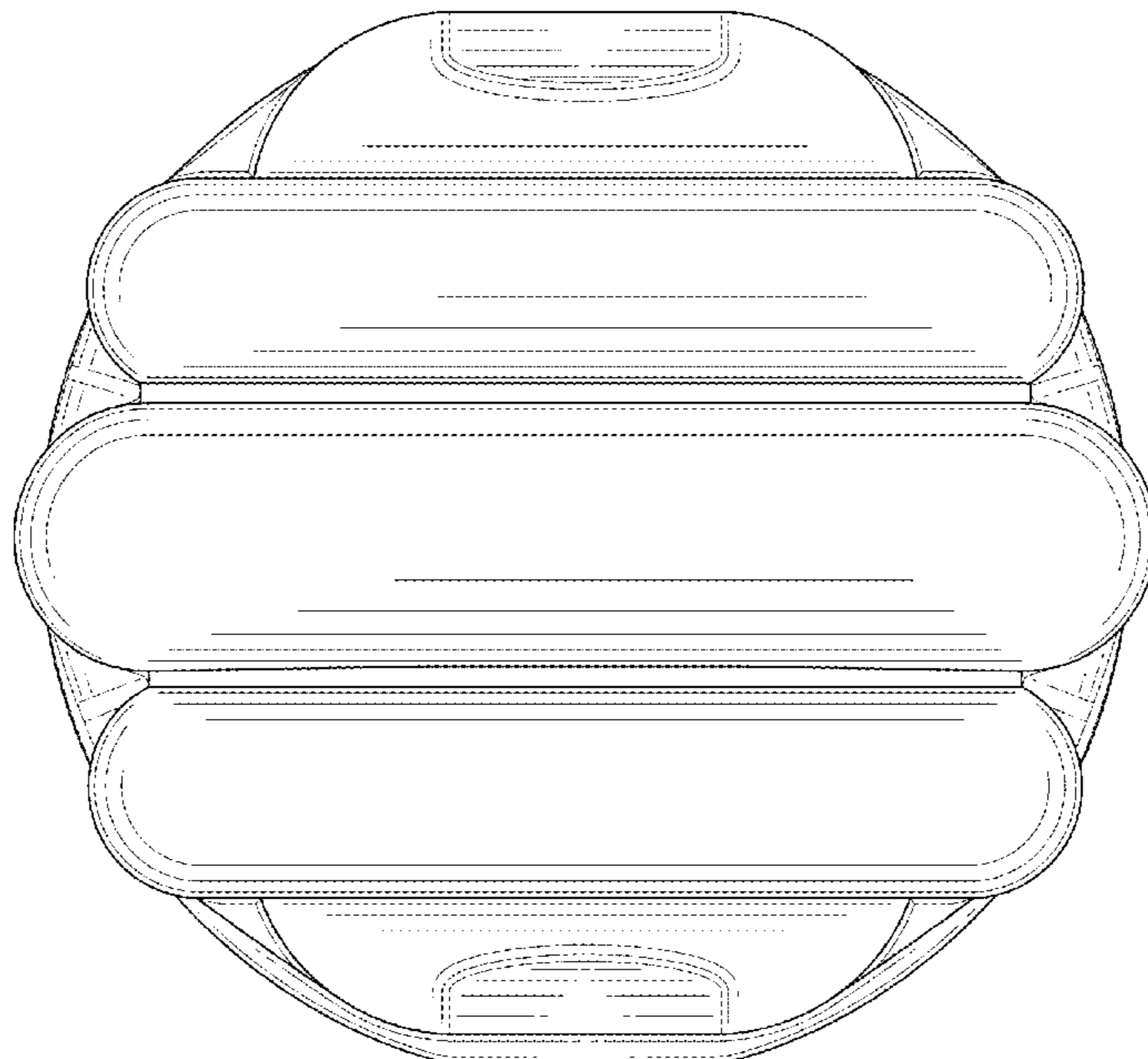
(58) **Field of Classification Search**  
USPC ..... D26/35, 42, 46, 51, 85, 91, 108, 130,  
D26/133, 136, 139; 362/264, 331.02,  
362/373, 547, 652, 800  
CPC .... F21S 8/03; F21S 8/033; F21S 8/036; F21S  
13/02; F21V 29/76

See application file for complete search history.

**DESCRIPTION**

1. Lamp  
Figure 1.1 is a front elevational view of a lamp;  
Figure 1.2 is a top plan view of the lamp;  
Figure 1.3 is a left side elevational view of the lamp, a right side elevational view being a mirror image of Figure 1.3; and  
Figure 1.4 is a front perspective view of the lamp.  
Parts of the lamp which are not shown, including a rear view, form no part of the claimed design.

**1 Claim, 4 Drawing Sheets**



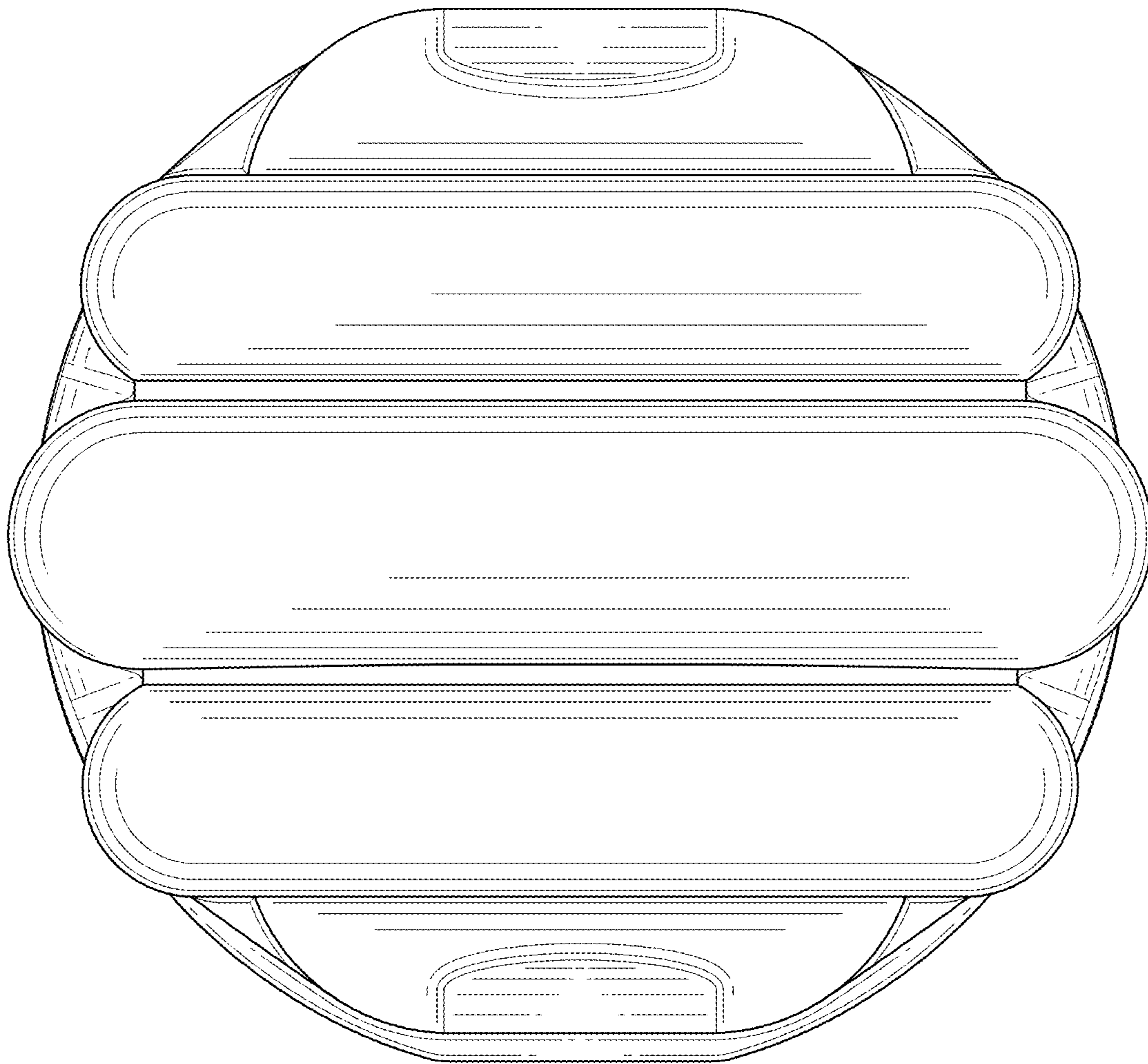


Figure 1.1

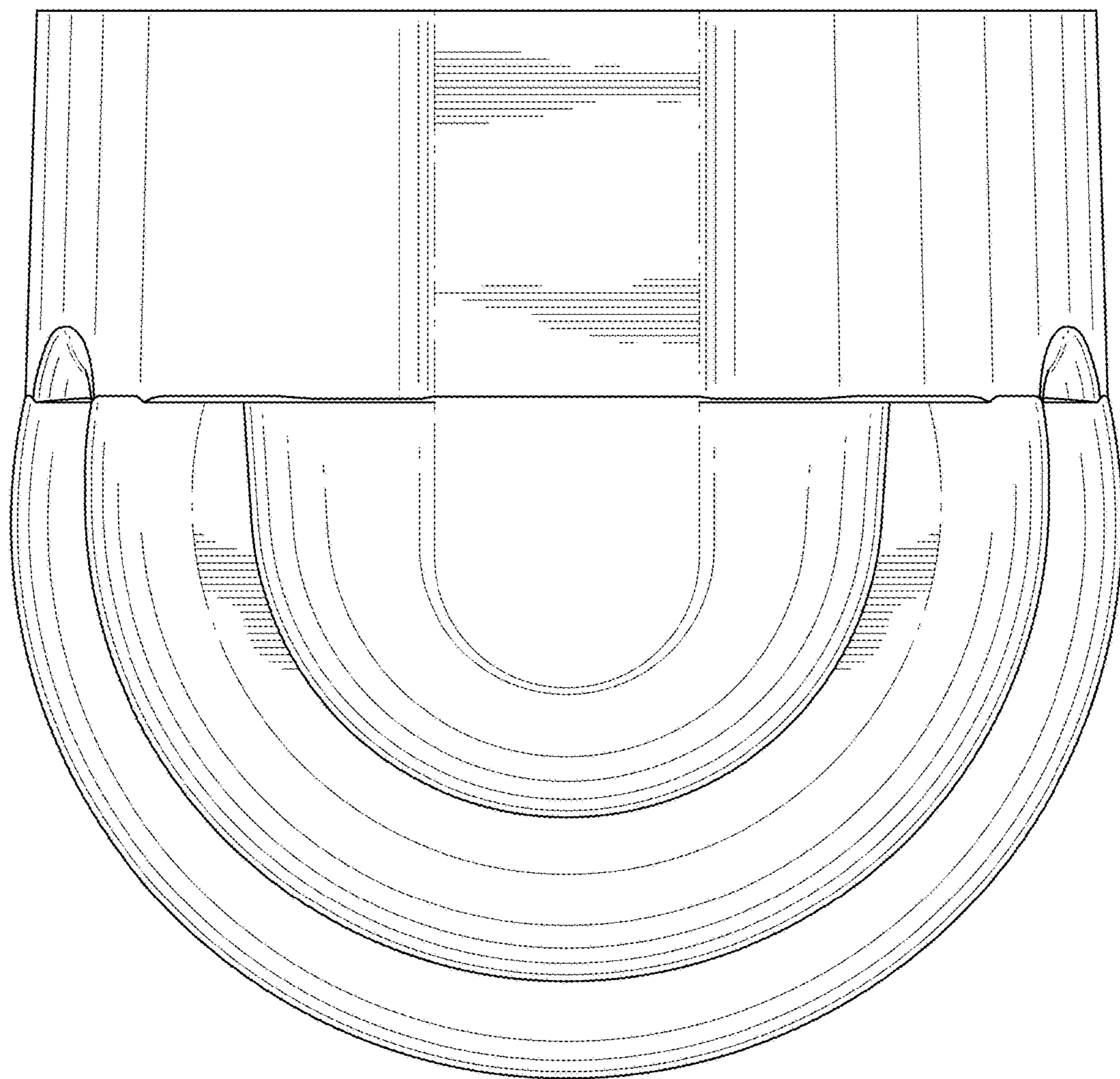


Figure 1.2

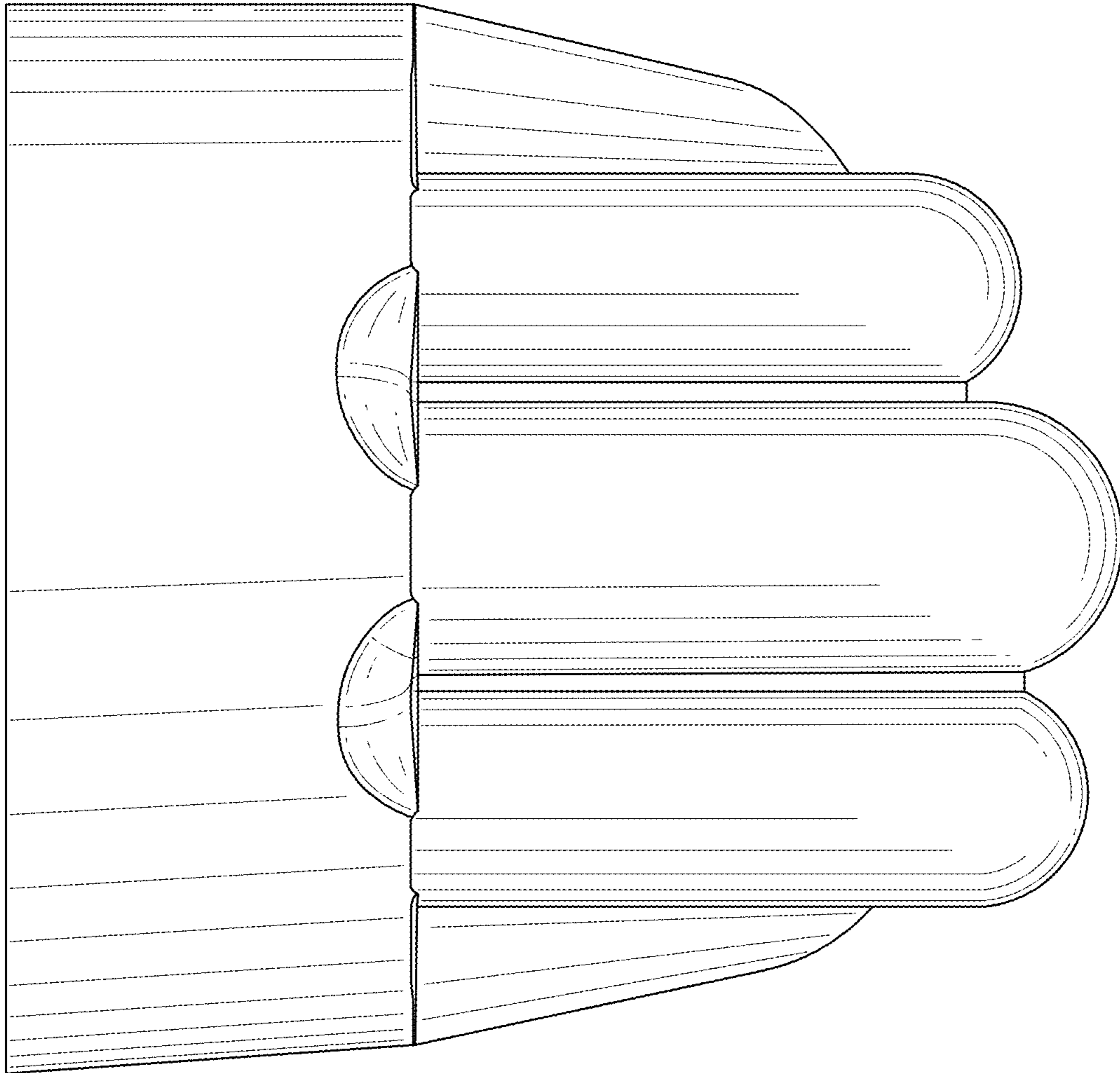


Figure 1.3

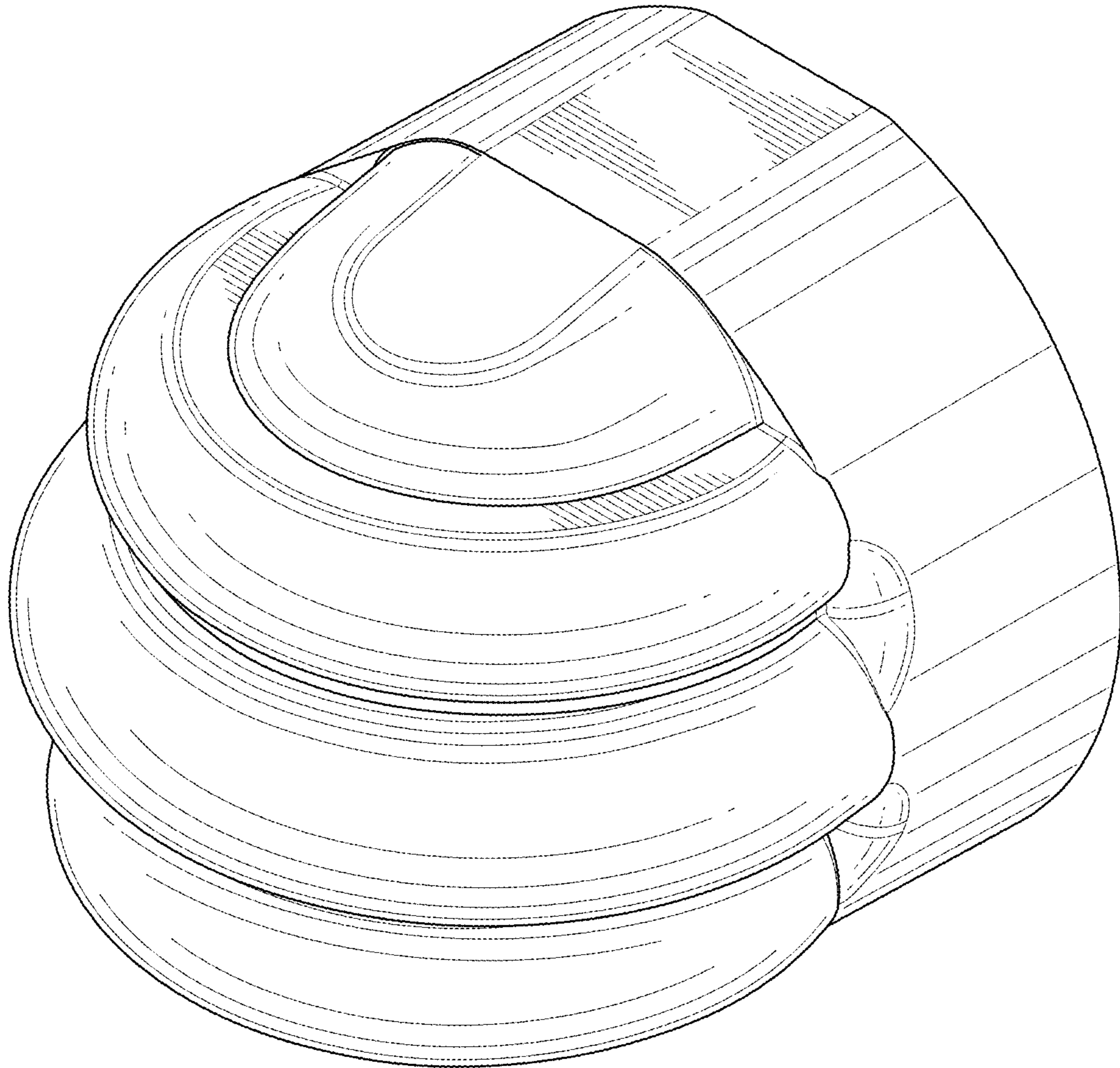


Figure 1.4