



US00D801570S

(12) **United States Design Patent** (10) **Patent No.:** **US D801,570 S**
Grandsart et al. (45) **Date of Patent:** **** Oct. 31, 2017**

(54) **LIGHTING FIXTURE**
(71) Applicant: **KENALL MANUFACTURING COMPANY**, Kenosha, WI (US)
(72) Inventors: **Dawn Grandsart**, Chicago, IL (US);
Brandon Stolte, Lindenhurst, IL (US);
Steven Akiyama, New Lenox, IL (US)
(73) Assignee: **KENALL MANUFACTURING COMPANY**, Kenosha, WI (US)
(**) Term: **14 Years**
(21) Appl. No.: **29/520,312**
(22) Filed: **Mar. 13, 2015**

5,738,436 A 4/1998 Cummings et al.
6,197,444 B1 3/2001 Vackar
6,375,338 B1 4/2002 Cummings et al.
D569,027 S * 5/2008 Hakamada D26/76
D602,626 S * 10/2009 Santoro D26/76
D606,229 S * 12/2009 Johansen D26/76
D633,640 S * 3/2011 Wauters D26/76
D636,108 S * 4/2011 Nguyen D26/76
D645,193 S * 9/2011 Chung D26/75
D687,178 S * 7/2013 Grandsart D26/85
D695,440 S * 12/2013 Kim D26/72
D695,443 S * 12/2013 Kaule D26/76
D700,724 S * 3/2014 Waldmann D26/24
D707,880 S * 6/2014 Magnusson D26/120
D732,225 S * 6/2015 Grandsart D26/75
D747,539 S * 1/2016 Santoro D26/120
D780,362 S * 2/2017 Akiyama D26/74

(Continued)

Primary Examiner — George D Kirschbaum
Assistant Examiner — Natasha Vujcic
(74) *Attorney, Agent, or Firm* — Marshall, Gerstein & Borun LLP

Related U.S. Application Data

(62) Division of application No. 29/475,907, filed on Dec. 9, 2013, now Pat. No. Des. 732,225.

(51) **LOC (10) Cl.** **26-03**
(52) **U.S. Cl.**
USPC **D26/76**

(58) **Field of Classification Search**
USPC D26/75, 76, 78, 79, 80, 81, 82, 83, 85,
D26/86, 88, 90, 113, 118, 119, 120, 121,
D26/122, 138, 139, 140, 141, 142
CPC F21S 2/00; F21S 4/00; F21S 4/003; F21S
4/005; F21S 4/006; F21S 4/007; F21S
4/008; F21S 6/00; F21S 8/00; F21S
8/024; F21S 8/026; F21S 8/031; F21S
8/033; F21S 8/035–8/037; F21S 8/04;
F21S 8/043; F21S 8/063
See application file for complete search history.

(56) **References Cited**

U.S. PATENT DOCUMENTS

D292,322 S * 10/1987 Krol D26/72
5,301,090 A 4/1994 Hed

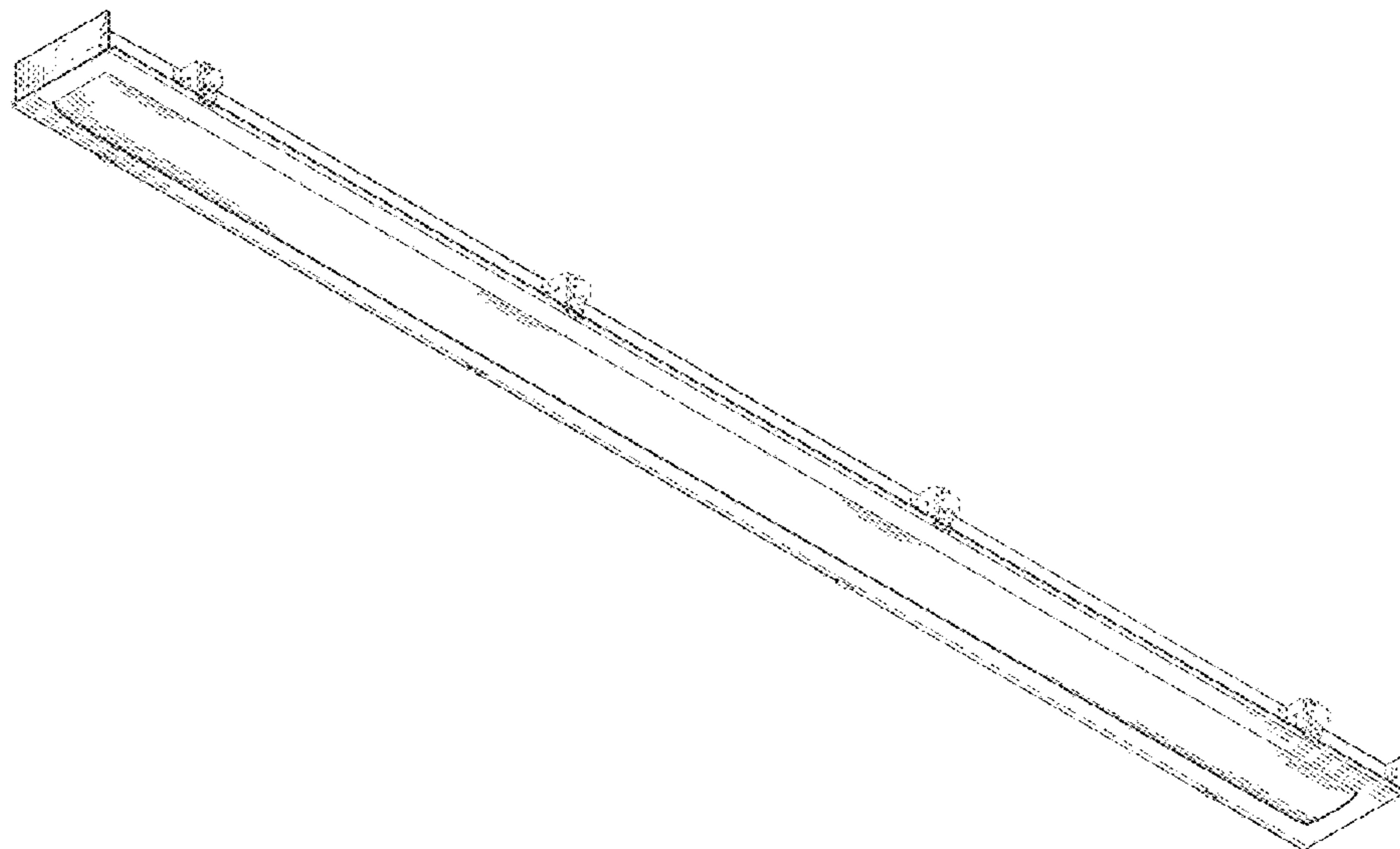
(57) **CLAIM**

The ornamental design for a lighting fixture, as shown and described.

DESCRIPTION

FIG. 1 is a perspective view showing a new design for a lighting fixture;
FIG. 2 is a bottom view of the lighting fixture of FIG. 1;
FIG. 3 is a top view of the lighting fixture of FIG. 1;
FIG. 4 is a front view of the lighting fixture of FIG. 1;
FIG. 5 is a rear view of the lighting fixture of FIG. 1;
FIG. 6 is a left-side view of the lighting fixture of FIG. 1;
and,
FIG. 7 is a right-side view of the lighting fixture of FIG. 1.
The broken lines in the drawings illustrate portions of the lighting fixture which form no part of the claimed design.

1 Claim, 5 Drawing Sheets



(56)

References Cited

U.S. PATENT DOCUMENTS

2004/0082209	A1	4/2004	Zenaboni	
2004/0105264	A1	6/2004	Spero	
2007/0076459	A1	4/2007	Limpkin	
2009/0073692	A1	3/2009	Berger et al.	
2009/0290343	A1	11/2009	Brown et al.	
2010/0085748	A1	4/2010	Kelly et al.	
2010/0110684	A1	5/2010	Abdelsamed et al.	
2010/0142202	A1	6/2010	Sugishita et al.	
2010/0280677	A1	11/2010	Budike, Jr.	
2011/0164411	A1	7/2011	Sparing et al.	
2011/0273877	A1	11/2011	Reed et al.	
2012/0159821	A1	6/2012	Miletich et al.	
2012/0176795	A1	7/2012	Lynch	
2012/0217882	A1	8/2012	Wong et al.	
2012/0249016	A1	10/2012	Smith	
2012/0293086	A1	11/2012	Ishikita et al.	
2012/0294000	A1	11/2012	Thomas et al.	
2013/0003373	A1	1/2013	Hamby et al.	
2013/0027935	A1	1/2013	Ladewig et al.	
2013/0058108	A1	3/2013	Blincoe et al.	
2013/0062724	A1	3/2013	Tokuyama et al.	
2013/0063935	A1	3/2013	Thraikill	
2013/0077311	A1	3/2013	Kinnune et al.	
2013/0208471	A1	8/2013	Lueken et al.	
2013/0286637	A1*	10/2013	Lay	F21K 9/17 362/147

* cited by examiner

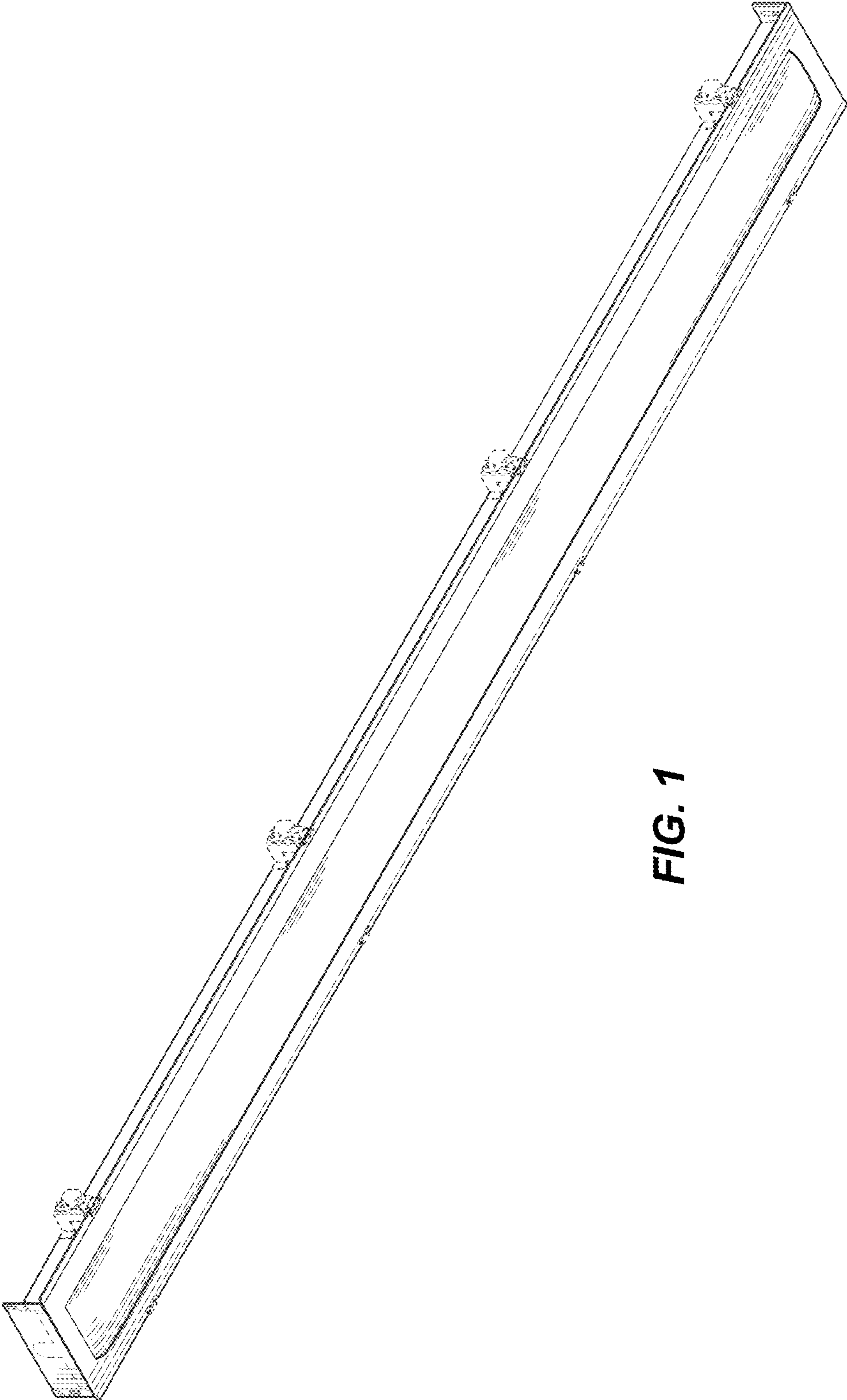


FIG. 1

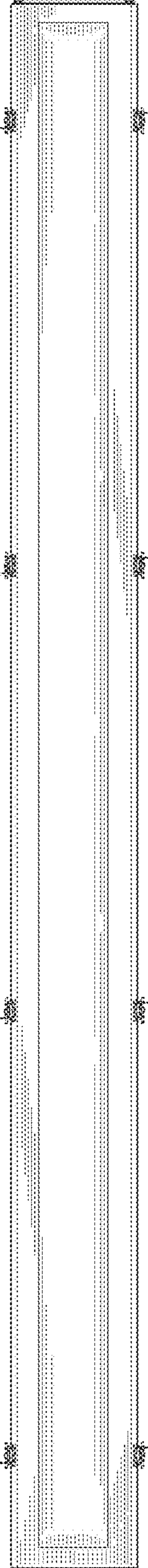


FIG. 2

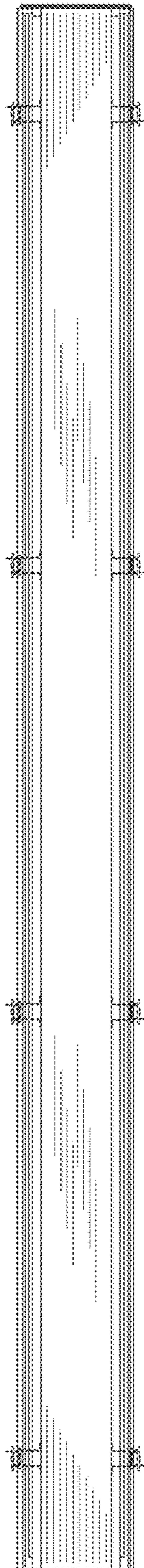


FIG. 3



FIG. 4

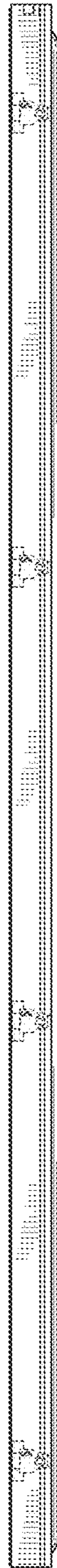


FIG. 5

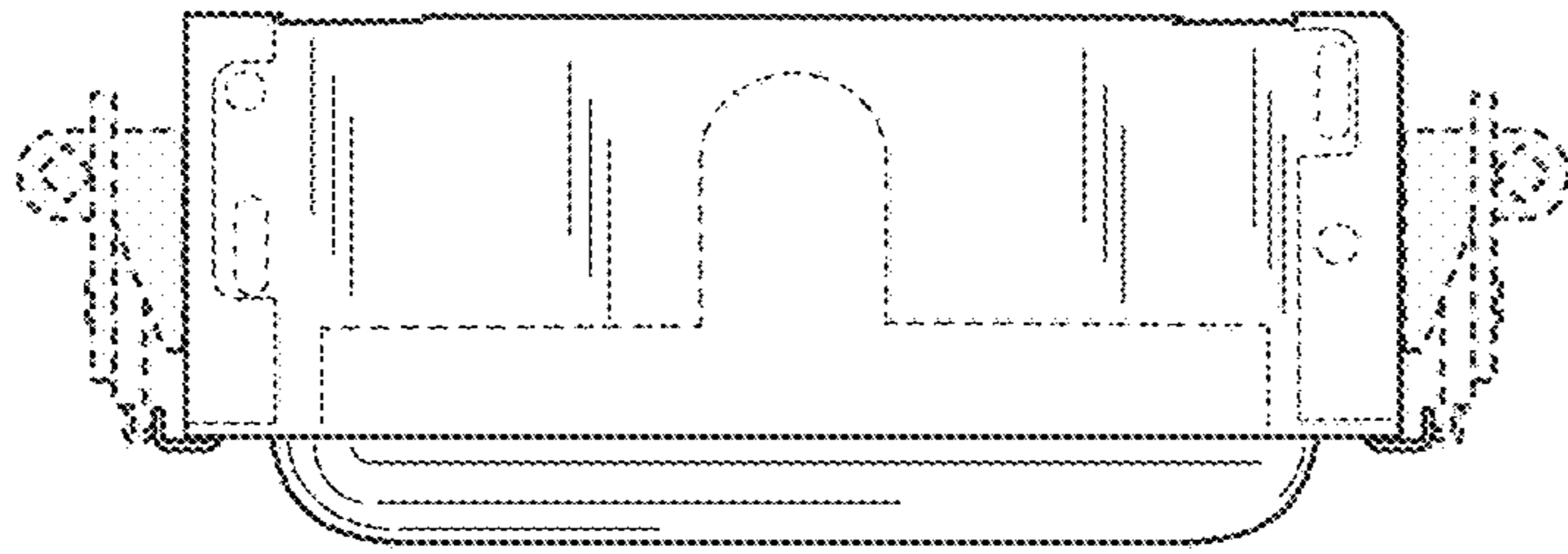


FIG. 6

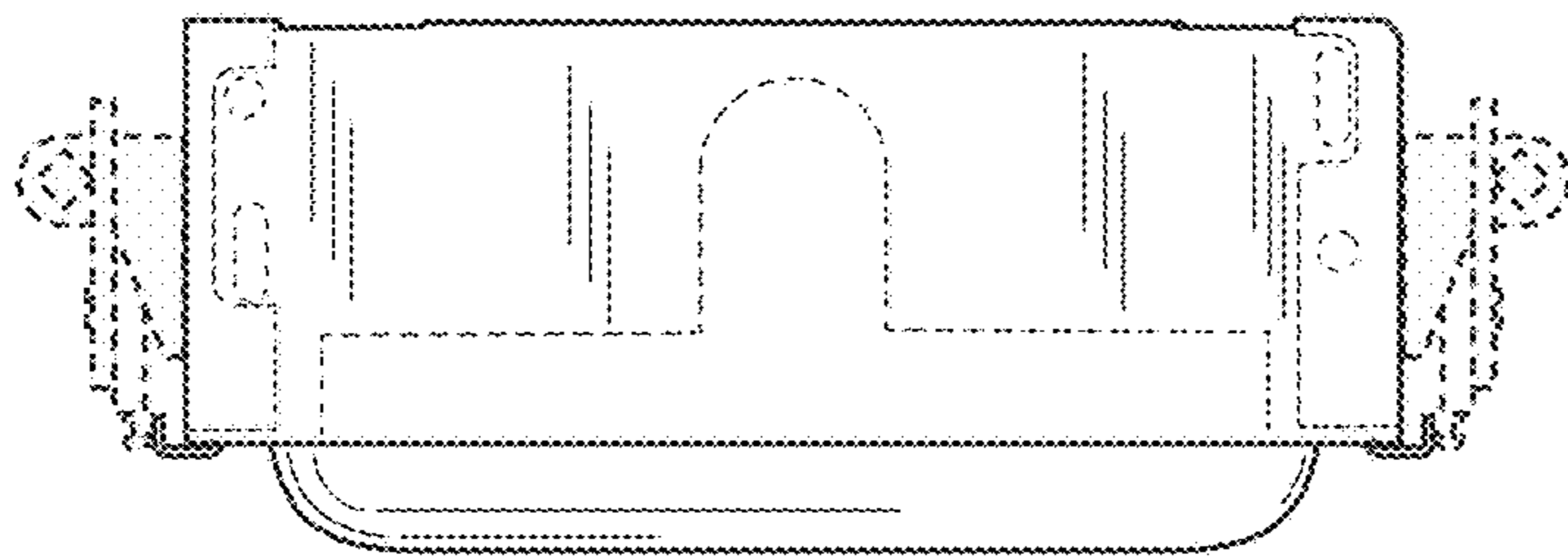


FIG. 7