



US00D801569S

(12) **United States Design Patent**  
**Ormsbee et al.**

(10) **Patent No.:** **US D801,569 S**  
(45) **Date of Patent:** **\*\* Oct. 31, 2017**

(54) **LED LIGHTING DEVICE**

(71) Applicant: **Nite Ize, Inc.**, Boulder, CO (US)

(72) Inventors: **Bowden Ormsbee**, Longmont, CO (US); **Rex W. Stevens**, Longmont, CO (US)

(73) Assignee: **Nite Ize, Inc.**, Boulder, CO (US)

(\*\*) Term: **15 Years**

(21) Appl. No.: **29/550,611**

(22) Filed: **Jan. 5, 2016**

(51) **LOC (10) Cl.** ..... **26-02**

(52) **U.S. Cl.**  
USPC ..... **D26/37**

(58) **Field of Classification Search**  
USPC ..... D26/37, 38, 39, 40, 41, 42, 44, 46, 48, D26/49; 362/109, 173, 182, 186, 103, 362/105, 196, 428, 460; D8/356, 367; D10/37  
CPC . A42B 3/044; A42B 3/04; F21L 15/14; F21L 11/00; B63C 9/20; A63B 43/06  
See application file for complete search history.

(56) **References Cited**

**U.S. PATENT DOCUMENTS**

D329,485 S *	9/1992	Hollinger	.....	D21/795
5,184,884 A *	2/1993	Maglica	.....	B62J 6/00
				362/191
6,416,195 B1 *	7/2002	Lin	.....	F21S 10/02
				362/275
6,581,809 B1 *	6/2003	McElhinney	.....	A42C 3/00
				223/51
D504,736 S *	5/2005	Yen	.....	D26/37
D523,236 S *	6/2006	Martin	.....	D3/209
D539,122 S *	3/2007	Tsai	.....	D8/358
D542,453 S *	5/2007	Osiecki	.....	D26/37

D544,343 S *	6/2007	Liebe	.....	D28/78
D553,480 S *	10/2007	Kelleghan	.....	D8/356
D564,341 S *	3/2008	Kelleghan	.....	D8/356
D564,687 S *	3/2008	Bucher	.....	D26/60
D565,240 S *	3/2008	Blum	.....	D26/138
D573,493 S *	7/2008	Tsai	.....	D10/72
D577,486 S *	9/2008	Kudarauskas	.....	D3/211
D577,836 S *	9/2008	Engebrigtsen	.....	D26/24
D578,686 S *	10/2008	Dalton	.....	D26/37
7,438,431 B2 *	10/2008	Ford	.....	F21V 21/0885
				362/116
D580,093 S *	11/2008	Conroy	.....	D26/138
7,448,769 B1 *	11/2008	Coushaine	.....	F21L 4/005
				362/200
D584,437 S *	1/2009	Barber	.....	D26/37

(Continued)

*Primary Examiner* — Lakiya Rogers

*Assistant Examiner* — Altaira Swangin

(74) *Attorney, Agent, or Firm* — Haynes and Boone, LLP

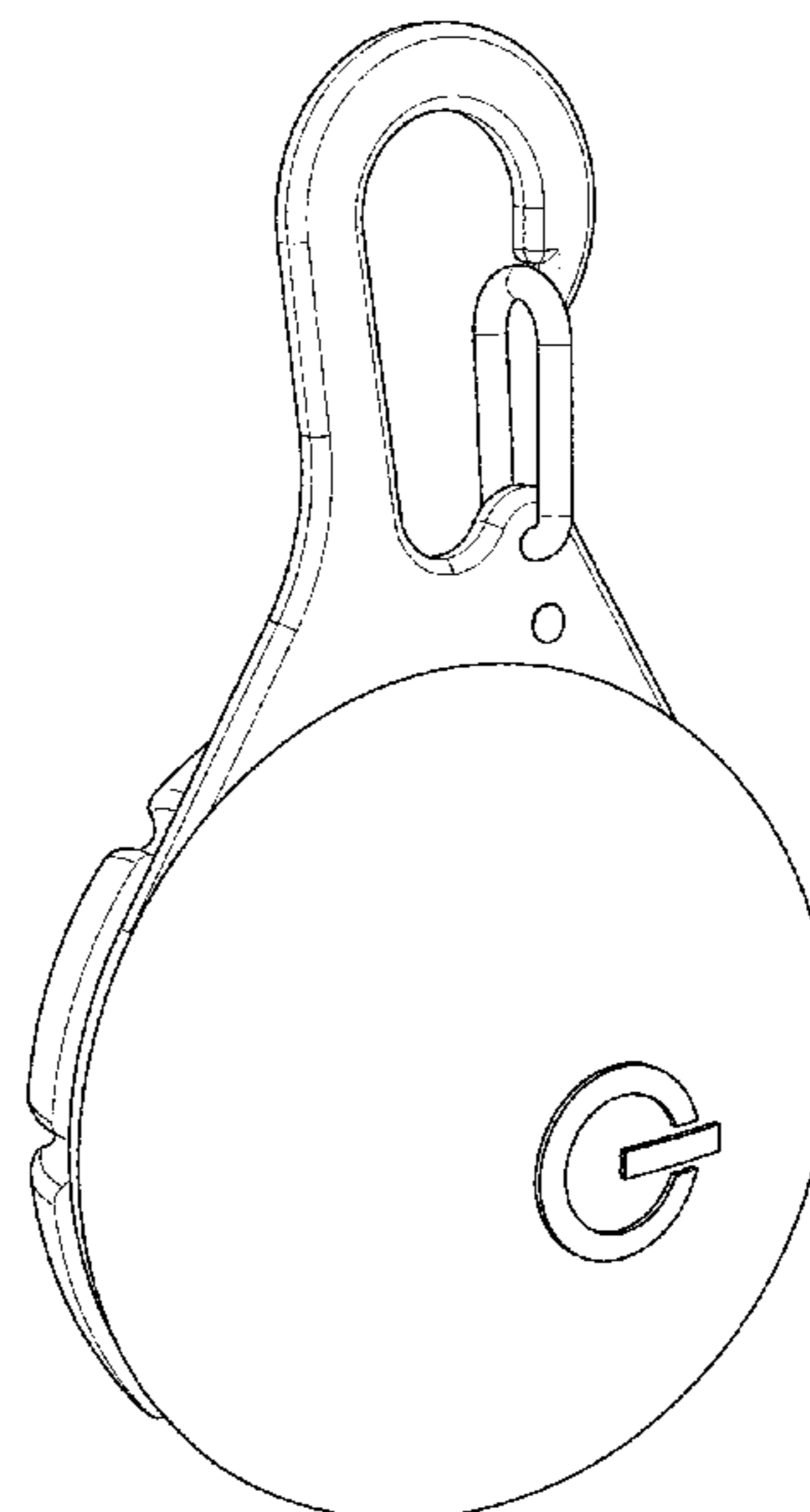
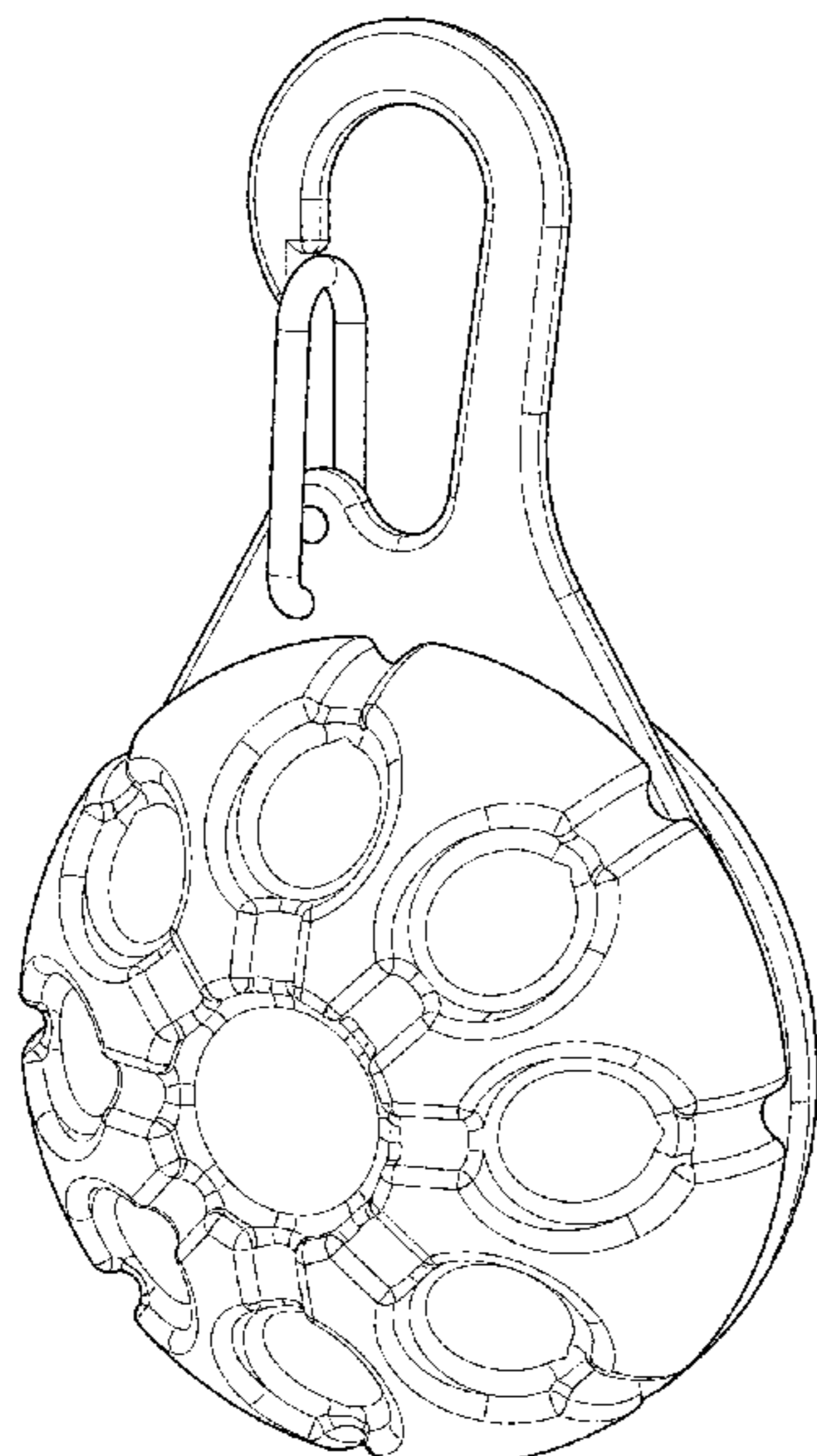
(57) **CLAIM**

The ornamental design for an LED lighting device, as shown and described.

**DESCRIPTION**

FIG. 1 is a front perspective view of the LED lighting device;  
FIG. 2 is a back perspective view of the LED lighting device of FIG. 1;  
FIG. 3 is a front view of the LED lighting device of FIG. 1;  
FIG. 4 is a back view of the LED lighting device of FIG. 1;  
FIG. 5 is a right side view of the LED lighting device of FIG. 1;  
FIG. 6 is a left side view of the LED lighting device of FIG. 1;  
FIG. 7 is a top view of the LED lighting device of FIG. 1;  
and,  
FIG. 8 is a bottom view of the LED lighting device of FIG. 1.

**1 Claim, 6 Drawing Sheets**



(56)

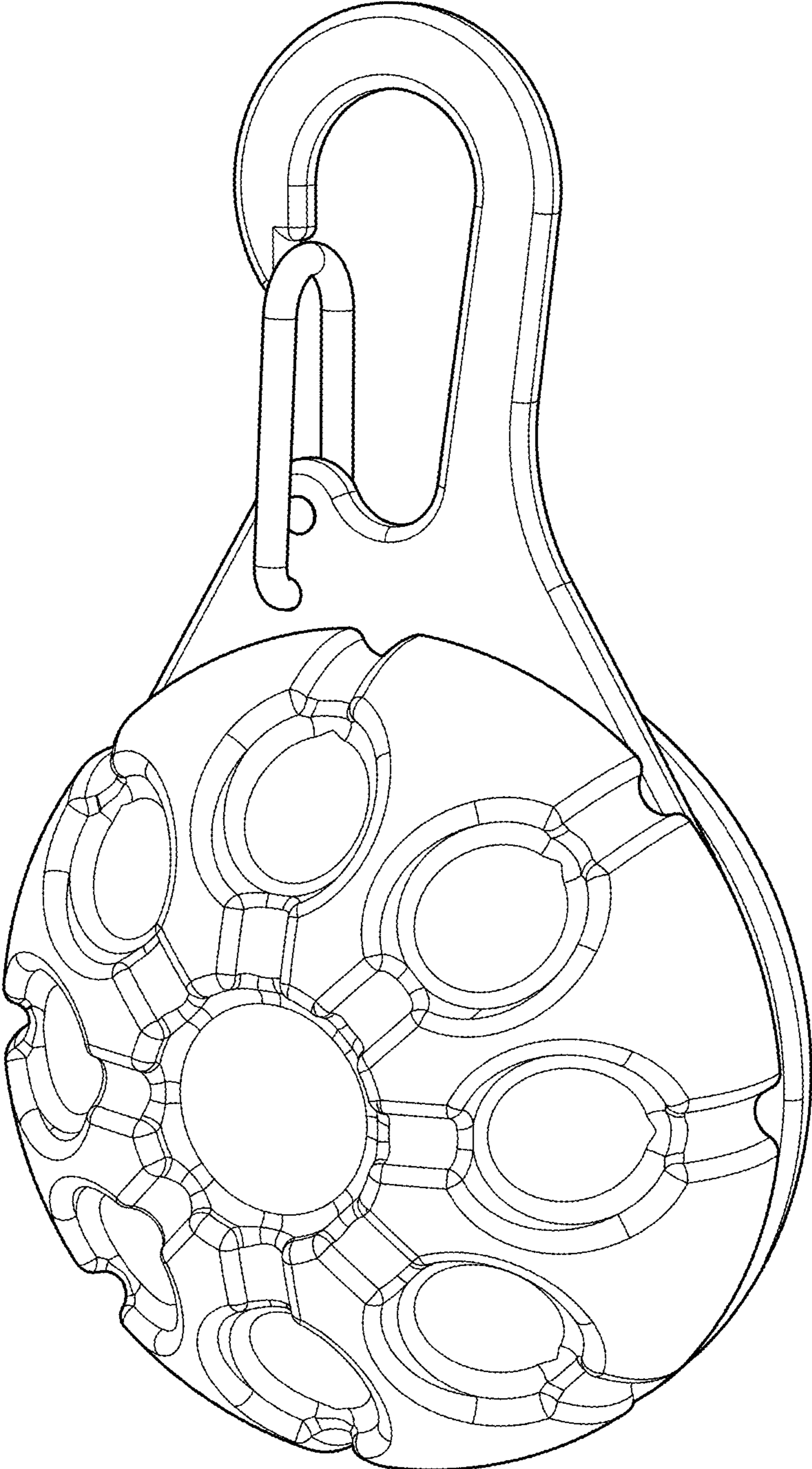
References Cited

U.S. PATENT DOCUMENTS

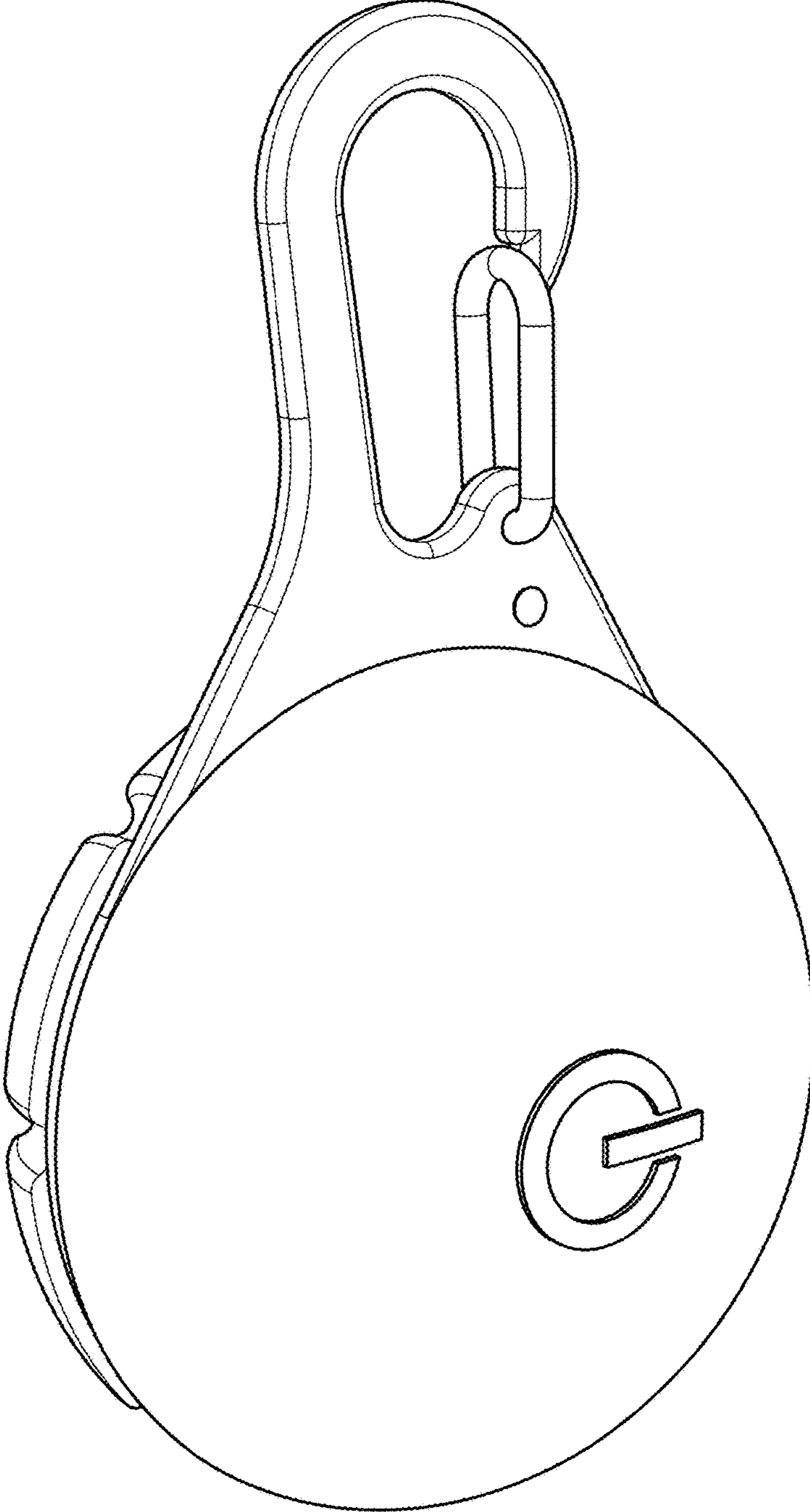
D588,291	S *	3/2009	VanderWoude	.....	D26/37
D593,238	S *	5/2009	Allen	.....	D26/37
D595,119	S *	6/2009	Kelleghan	.....	D8/356
D607,596	S *	1/2010	Copeland	.....	D26/61
D607,597	S *	1/2010	Choi	.....	D26/80
D614,017	S *	4/2010	Bender	.....	D8/356
D626,393	S *	11/2010	Ormsbee	.....	D8/18
D639,046	S *	6/2011	Ormsbee	.....	D3/207
7,980,738	B2 *	7/2011	Chiang	.....	F21V 14/02 362/427
D652,971	S *	1/2012	Ormsbee	.....	D26/38
D669,618	S *	10/2012	Ormsbee	.....	D26/62
D698,626	S *	2/2014	Ormsbee	.....	D8/356
D705,866	S *	5/2014	Adelman	.....	D19/135
D725,809	S *	3/2015	Ford	.....	D26/37
D735,559	S *	8/2015	Liang	.....	D8/356
D737,491	S *	8/2015	Shen	.....	D26/50
D738,022	S *	9/2015	Shen	.....	D26/50
D759,867	S *	6/2016	Grandadam	.....	D26/37
9,476,446	B2 *	10/2016	Ormsbee	.....	F16B 45/02
2007/0139917	A1 *	6/2007	Ford	.....	F21V 21/0885 362/208
2014/0115840	A1 *	5/2014	Liang	.....	F16B 45/02 24/600.2
2015/0231451	A1 *	8/2015	Jewett	.....	A63B 43/06 473/280

\* cited by examiner

**FIG. 1**

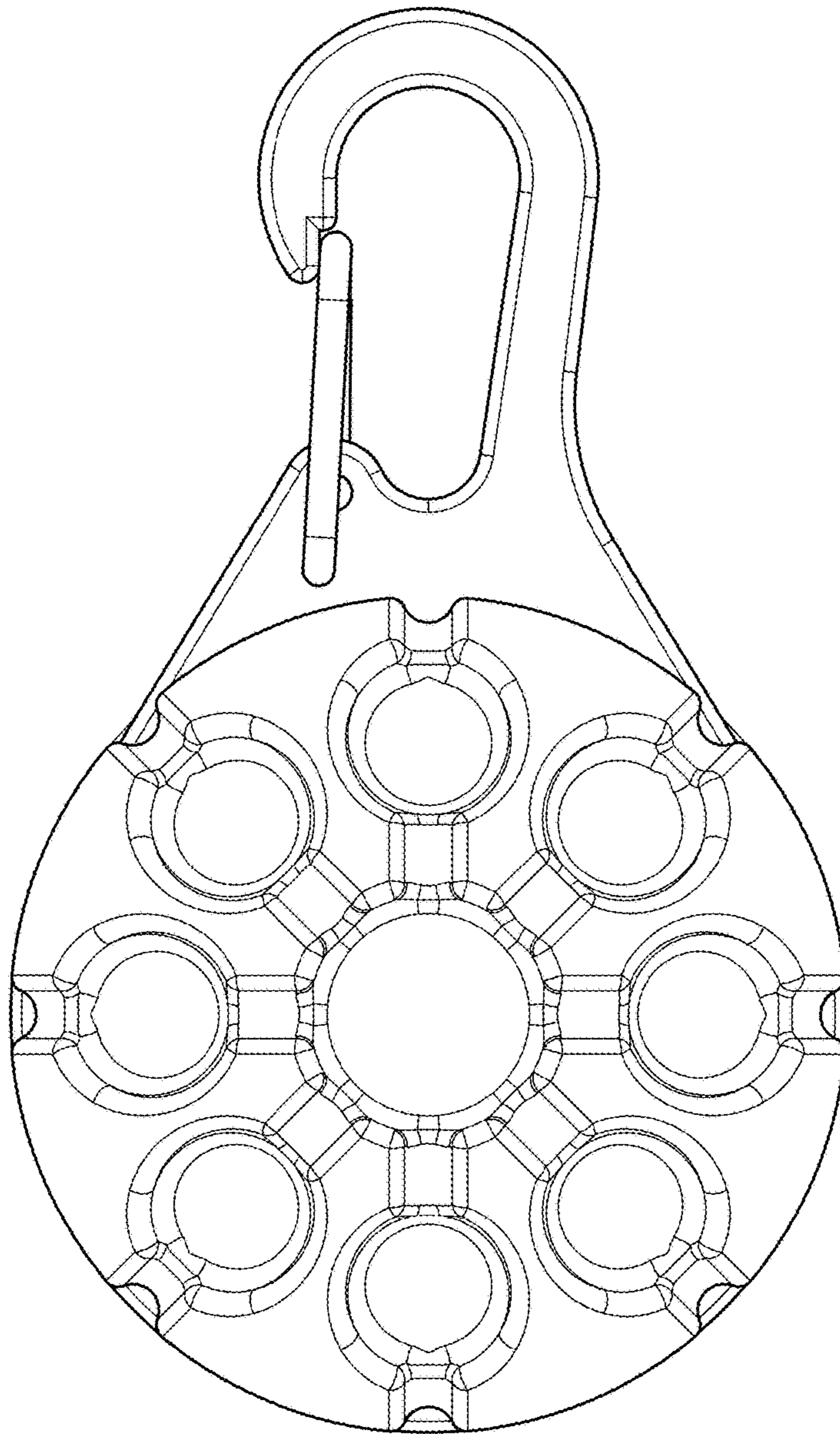


**FIG. 2**

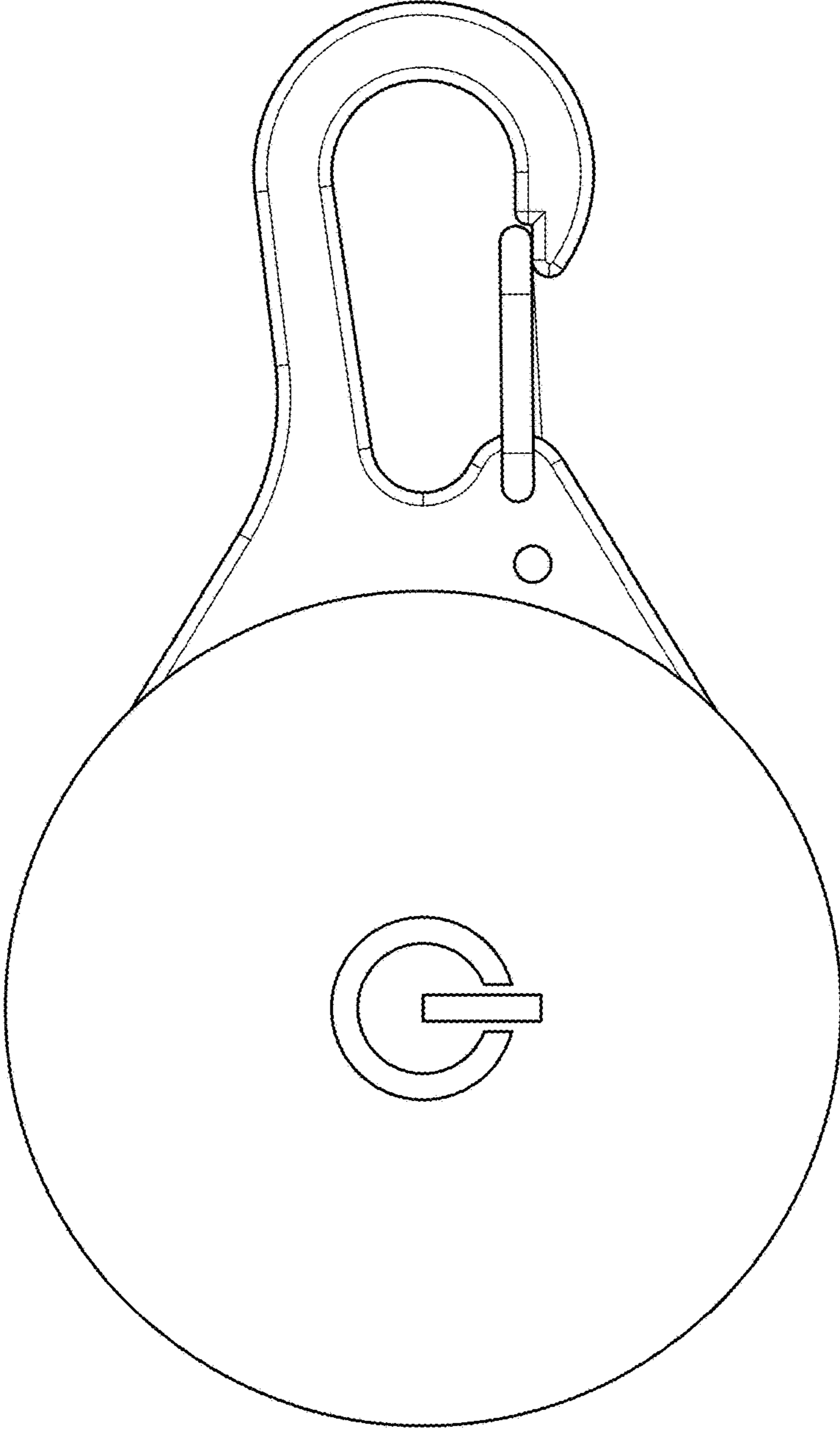




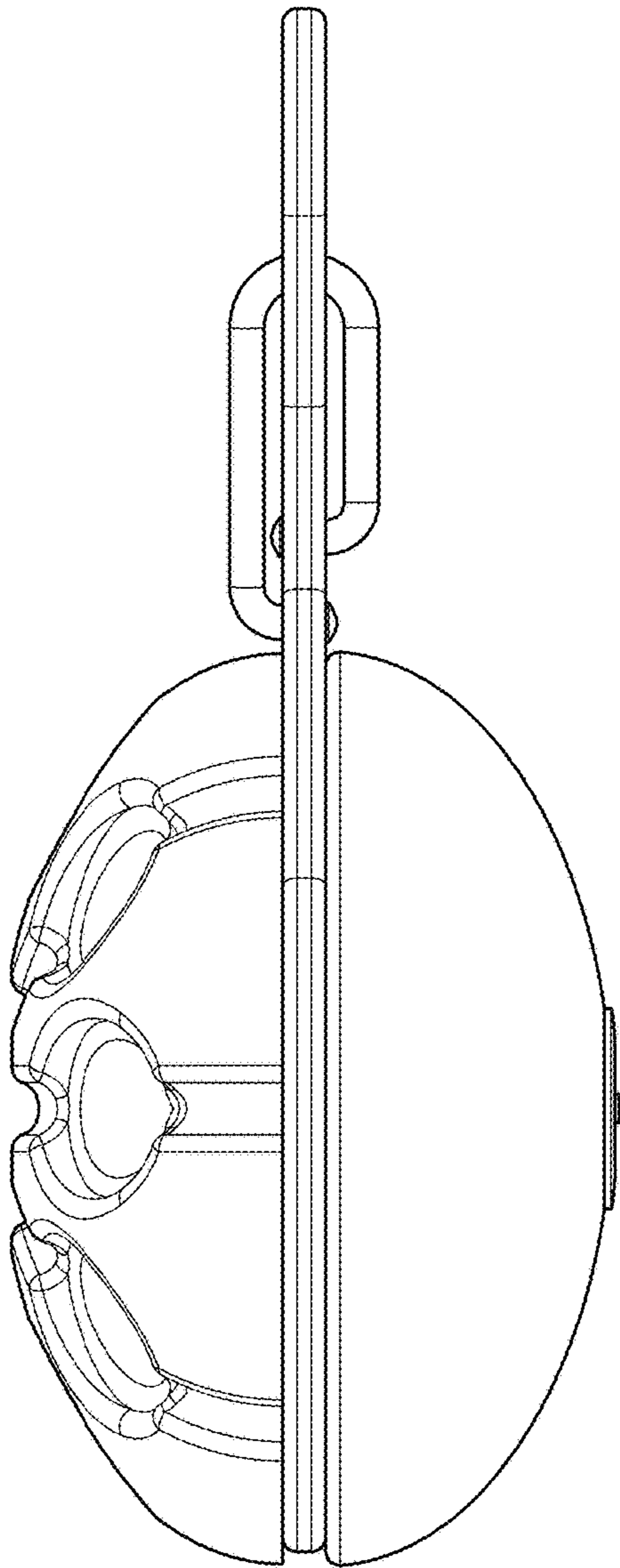
**FIG. 3**



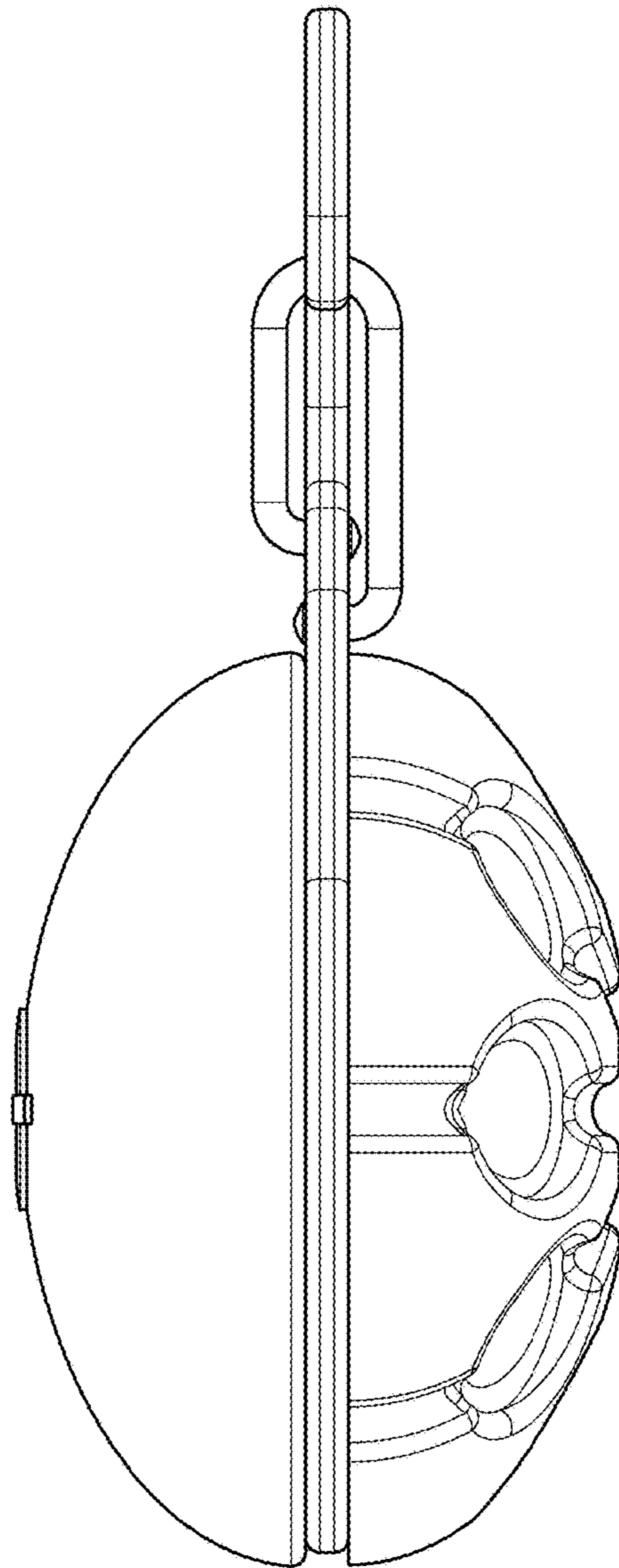
**FIG. 4**



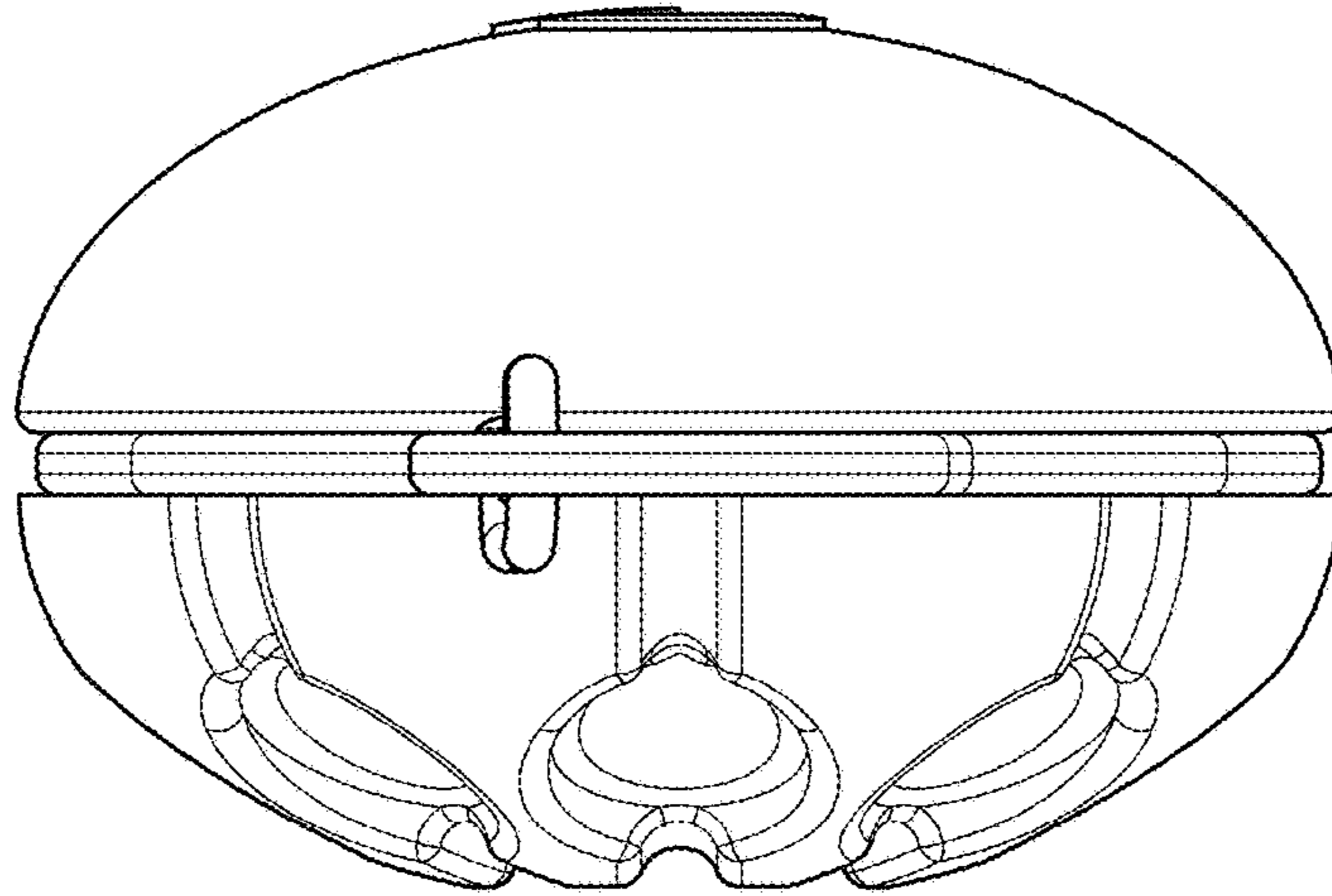
**FIG. 5**



**FIG. 6**



**FIG. 7**



**FIG. 8**

