



US00D801568S

(12) **United States Design Patent**
Pan

(10) **Patent No.:** **US D801,568 S**

(45) **Date of Patent:** **** Oct. 31, 2017**

(54) **LED LIGHT BAR**

(71) Applicant: **X. J. Electrics (Hubei) Co., Ltd.**,
Huanggang, Hubei (CN)

(72) Inventor: **Yun Pan**, Hubei (CN)

(73) Assignee: **X.J. Electrics (Hubei) Co., Ltd.**,
Huanggang, Hubei (CN)

(**) Term: **15 Years**

(21) Appl. No.: **29/571,372**

(22) Filed: **Jul. 18, 2016**

(30) **Foreign Application Priority Data**

May 30, 2016 (CN) 2016 3 0210777

(51) **LOC (10) Cl.** **26-06**

(52) **U.S. Cl.**
USPC **D26/31**

(58) **Field of Classification Search**

USPC D26/28-36, 31; 362/80-83, 267-269,
362/459-468, 475-478, 485-487

CPC B60Q 1/0483; B60Q 9/13; B60Q 9/135;
B60Q 9/1375; F21S 48/00; F21S 48/10;
F21S 48/115; F21S 48/1233; F21S
48/1266; F21S 48/1388; F21S 48/2268;
F21V 21/04

See application file for complete search history.

(56) **References Cited**

U.S. PATENT DOCUMENTS

D524,467 S * 7/2006 Branstetter D26/31
D530,029 S * 10/2006 Neufeglise D26/28
D534,669 S * 1/2007 Saward D10/114.1
D665,113 S * 8/2012 Perkins D26/28
D765,279 S * 8/2016 Hill D26/28

* cited by examiner

Primary Examiner — Marcus Jackson

(74) *Attorney, Agent, or Firm* — Rankin, Hill & Clark
LLP

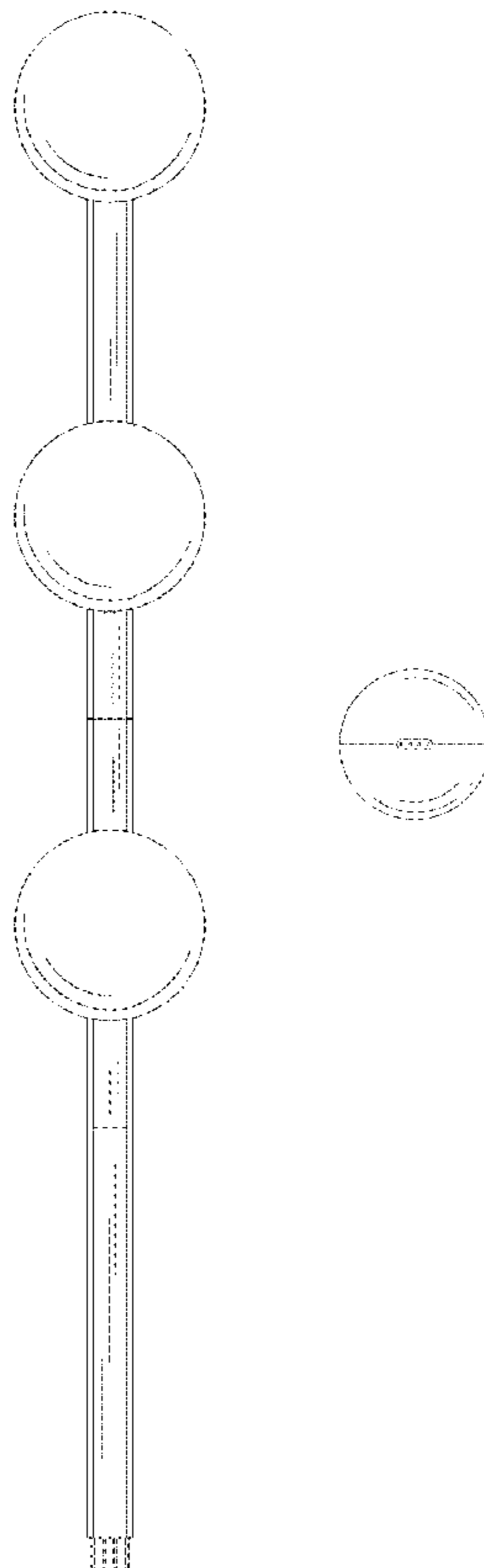
(57) **CLAIM**

The ornamental design for an LED light bar, as shown and described.

DESCRIPTION

FIG. 1 is a front view of an LED light bar;
FIG. 2 is a rear view of the LED light bar;
FIG. 3 is a left side view of the LED light bar;
FIG. 4 is a right side view of the LED light bar;
FIG. 5 is a top view of the LED light bar; and,
FIG. 6 is a bottom view of the LED light bar.

1 Claim, 6 Drawing Sheets



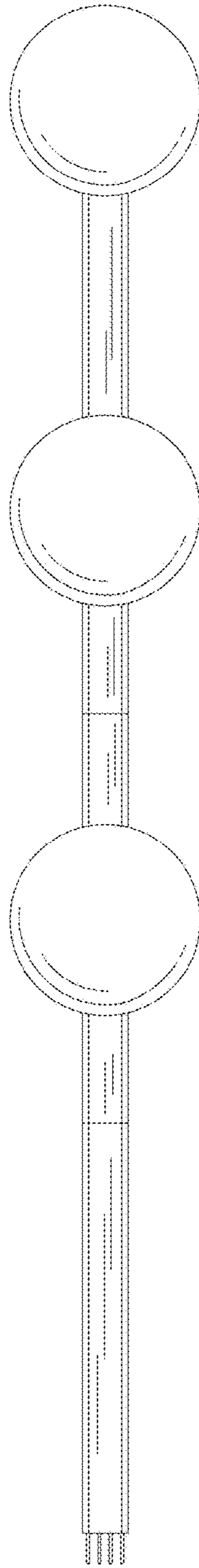


FIG.1

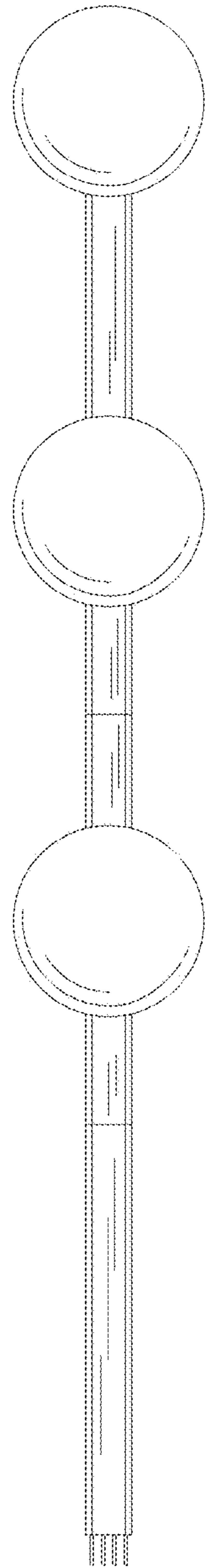


FIG.2

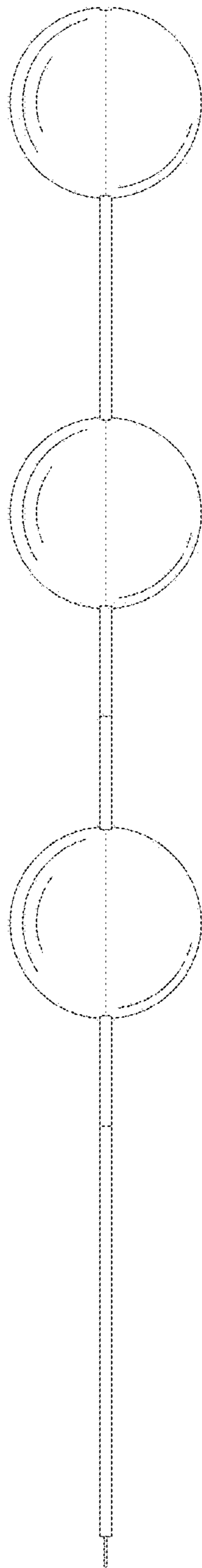


FIG.3

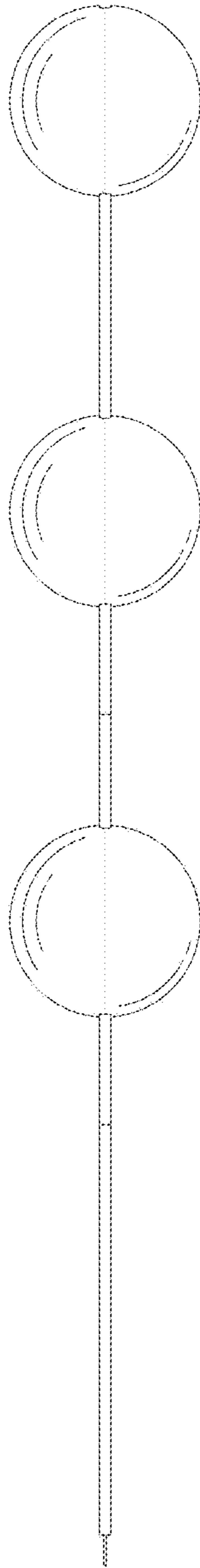


FIG.4

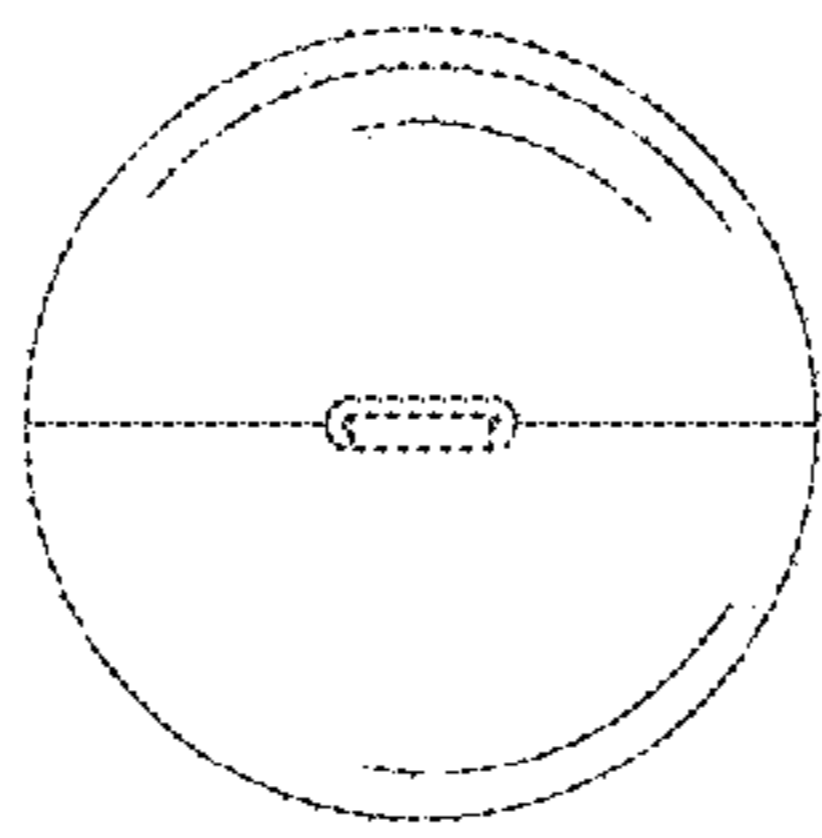


FIG.5

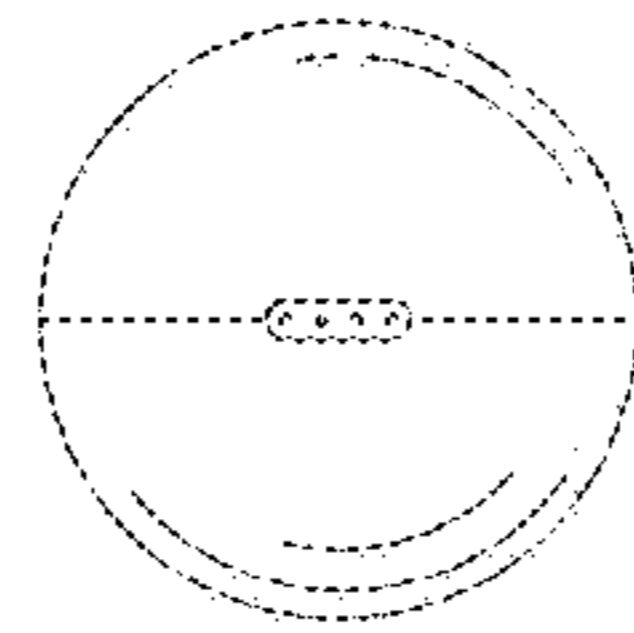


FIG.6