



US00D801567S

(12) **United States Design Patent** (10) **Patent No.:** **US D801,567 S**
Oh et al. (45) **Date of Patent:** **** Oct. 31, 2017**

(54) **AUTOMOBILE HEADLIGHT**

(56) **References Cited**

(71) Applicant: **KIA MOTORS CORPORATION**,
Seoul (KR)
(72) Inventors: **Yun-Seok Oh**, Seoul (KR); **Gwon-Hak Lee**,
Bucheon-si (KR); **Young-Min Kim**, Seoul (KR); **Oh-Young Kwon**,
Hwaseong-si (KR); **Jae-Hun Lee**, Anyang-si (KR)

U.S. PATENT DOCUMENTS

D545,980 S *	7/2007	Platto	D26/28
D674,940 S *	1/2013	Lai	D26/28
D676,166 S *	2/2013	Lai	D26/28
D706,471 S *	6/2014	Lai	D26/28
D715,978 S *	10/2014	Loeb	D26/28
D718,893 S *	12/2014	Lai	D26/28
D721,450 S *	1/2015	Lai	D26/28
D738,008 S *	9/2015	Gorsten Schuenemann ..	D26/28
D742,045 S *	10/2015	Futschik	D26/28
D746,495 S *	12/2015	Gorsten Schuenemann ..	D26/28
D761,463 S *	7/2016	Lai	D26/28
D765,894 S *	9/2016	Lai	D26/28
D769,477 S *	10/2016	Gunnarson	D26/28
D779,090 S *	2/2017	Giolito	D26/28
9,676,320 B2 *	6/2017	Lyon	B60Q 1/0035
2014/0192548 A1 *	7/2014	Kracker	F21S 48/1159 362/538

(**) Term: **15 Years**

(21) Appl. No.: **35/501,263**

(22) Filed: **Jun. 3, 2016**

(80) **Hague Agreement Data**

Int. Filing Date: **Jun. 3, 2016**
Int. Reg. No.: **DM/091537**
Int. Reg. Date: **Jun. 3, 2016**
Int. Reg. Pub. Date: **Jul. 22, 2016**

* cited by examiner

Primary Examiner — Darlington Ly

(30) **Foreign Application Priority Data**

Jan. 4, 2016 (KR) 30 2016 0000052

(51) **LOC (10) Cl.** **26-07**

(52) **U.S. Cl.**
USPC **D26/28**

(58) **Field of Classification Search**
USPC D26/28-36
CPC F21S 48/00; F21S 48/10; F21S 48/115;
F21S 48/225; F21S 48/1233; F21S
48/1266; F21S 48/1388; F21S 48/2268;
F21V 21/04

See application file for complete search history.

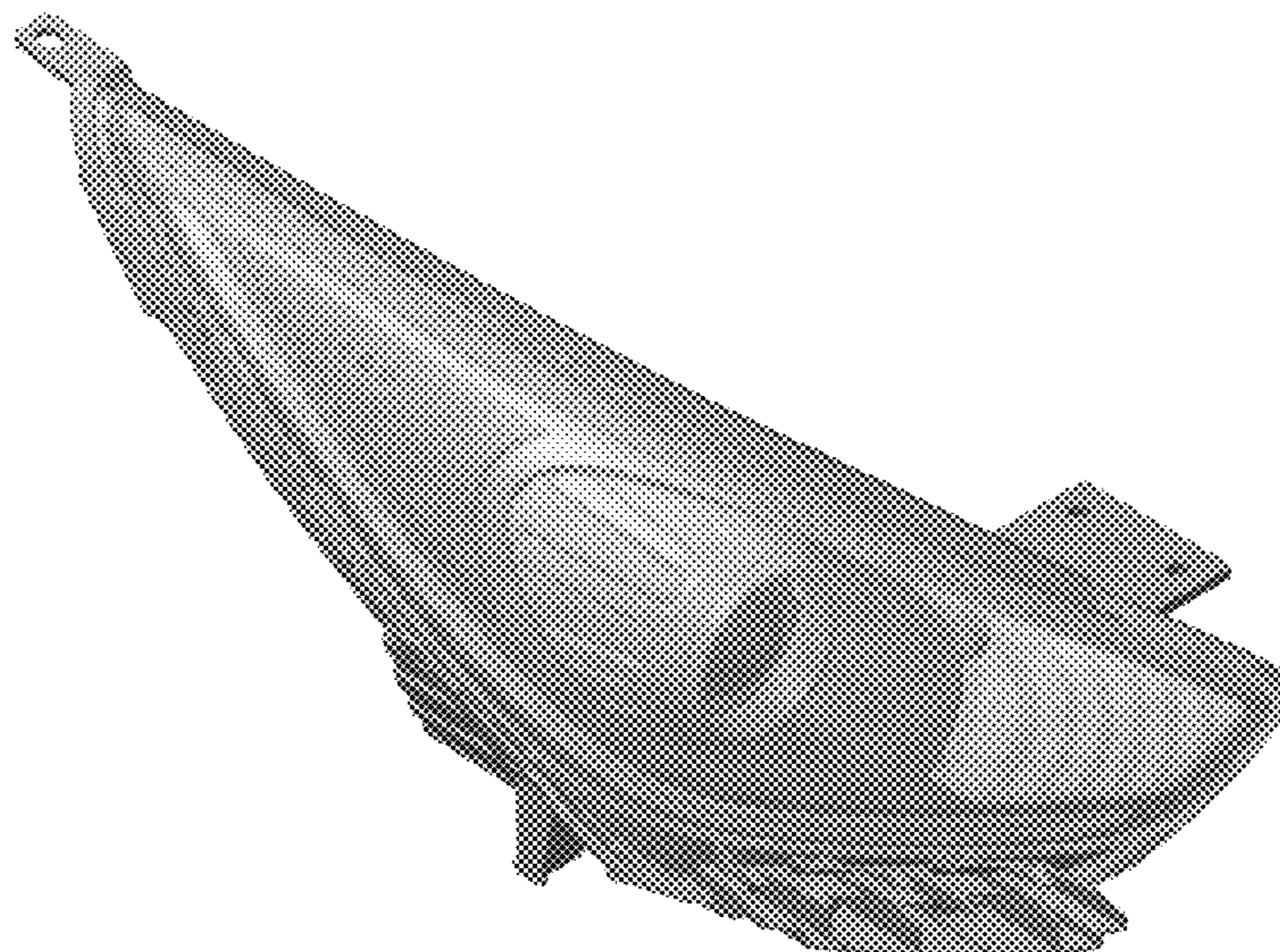
(57) **CLAIM**

The ornamental design for an automobile headlight, as shown and described.

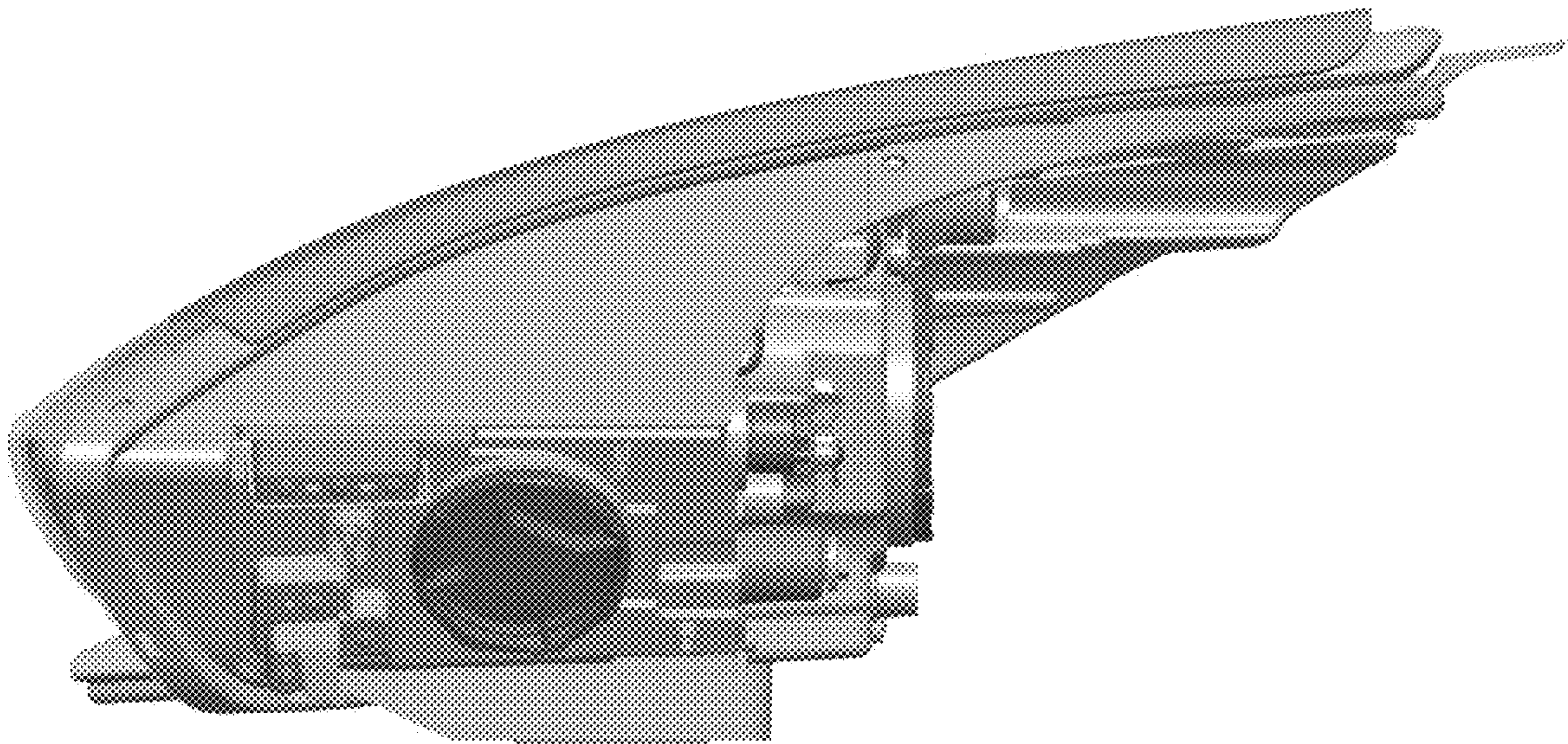
DESCRIPTION

1. Automobile headlight
- 1.1 is a right side elevation view of an automobile headlight showing our new design;
- 1.2 is a top plan view thereof;
- 1.3 is a front elevation view thereof;
- 1.4 is a rear elevation view thereof;
- 1.5 is a left side elevation view thereof;
- 1.6 is a top, front, and left side perspective view thereof; and
- 1.7 is a bottom plan view thereof.

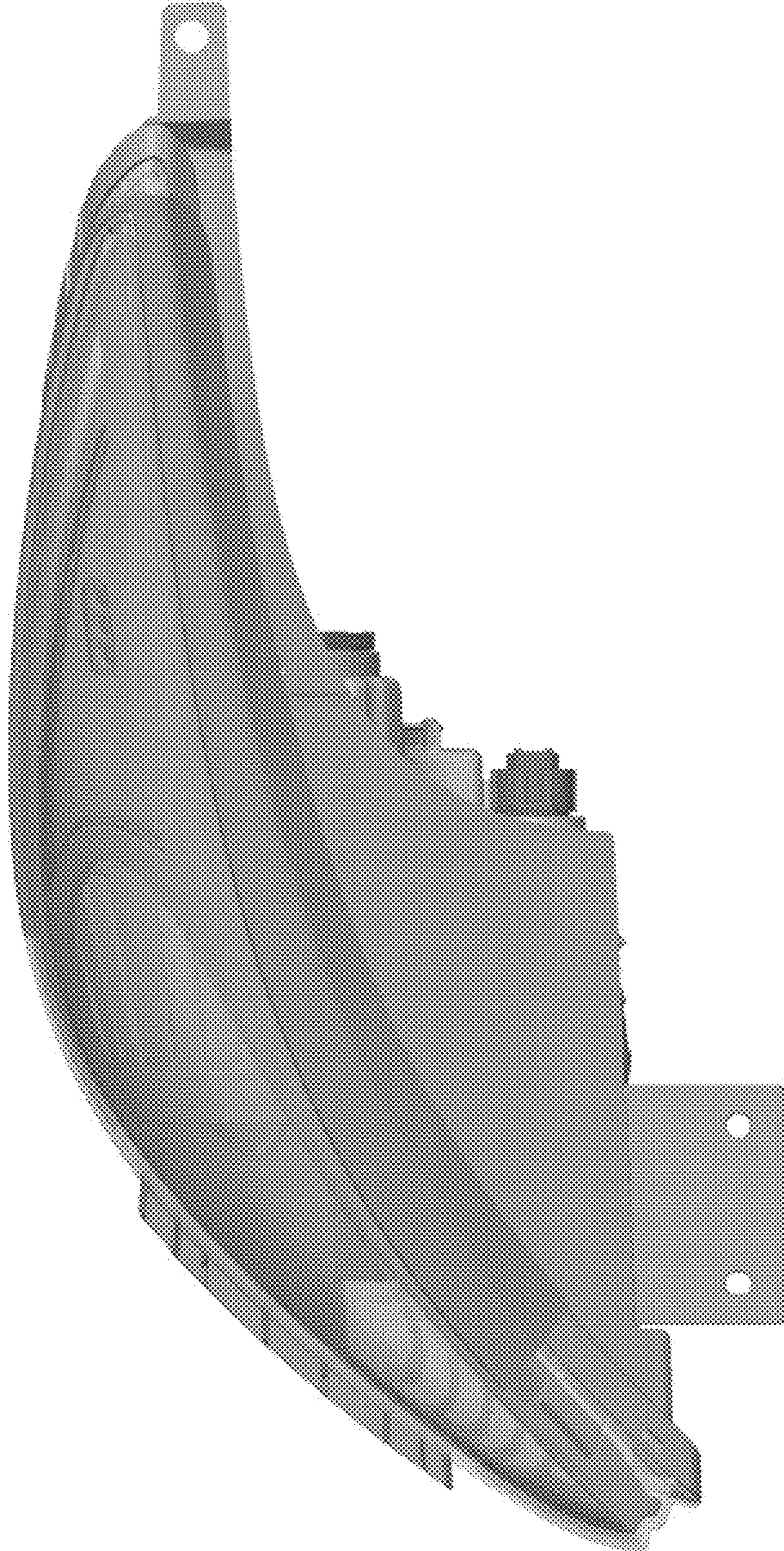
1 Claim, 7 Drawing Sheets



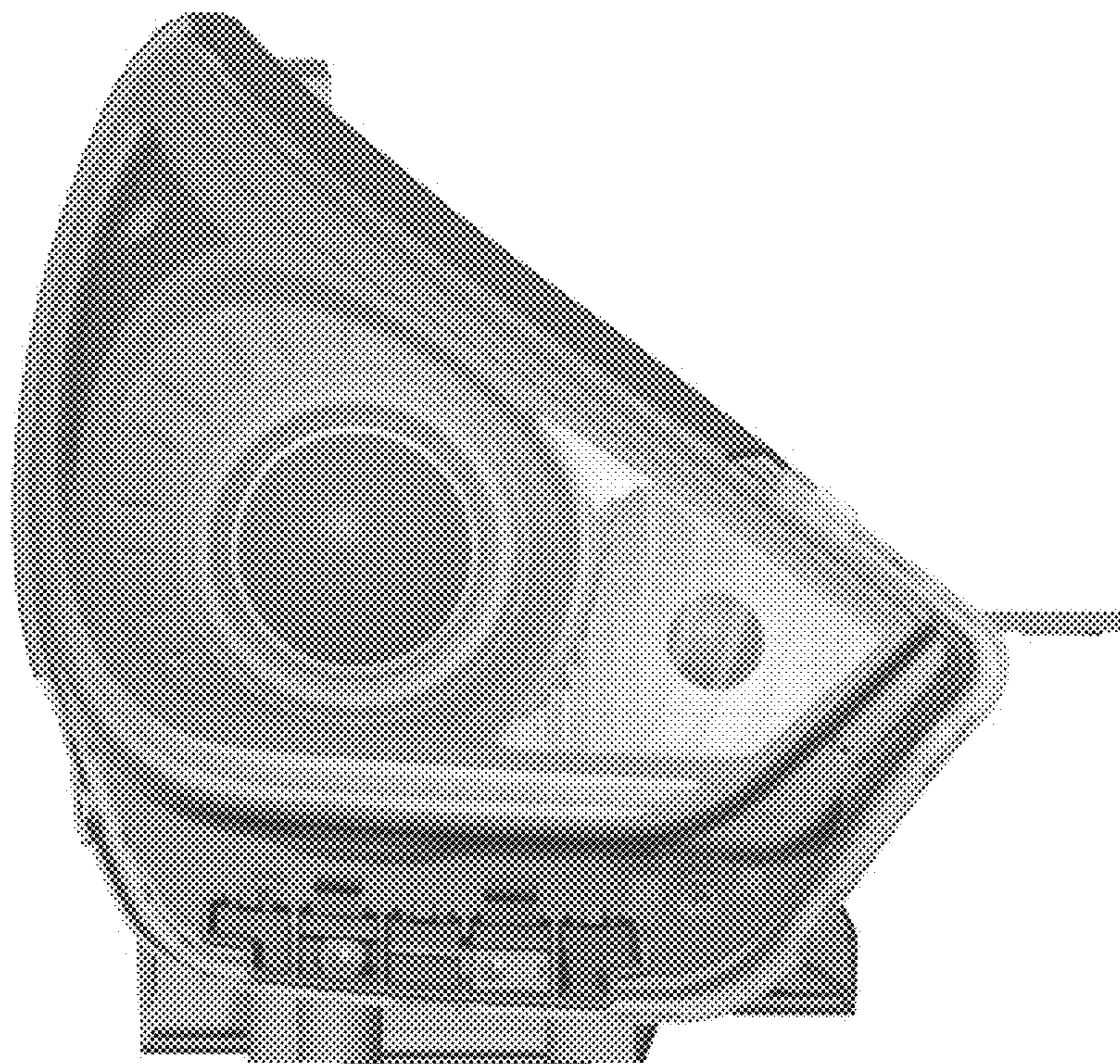
1.1



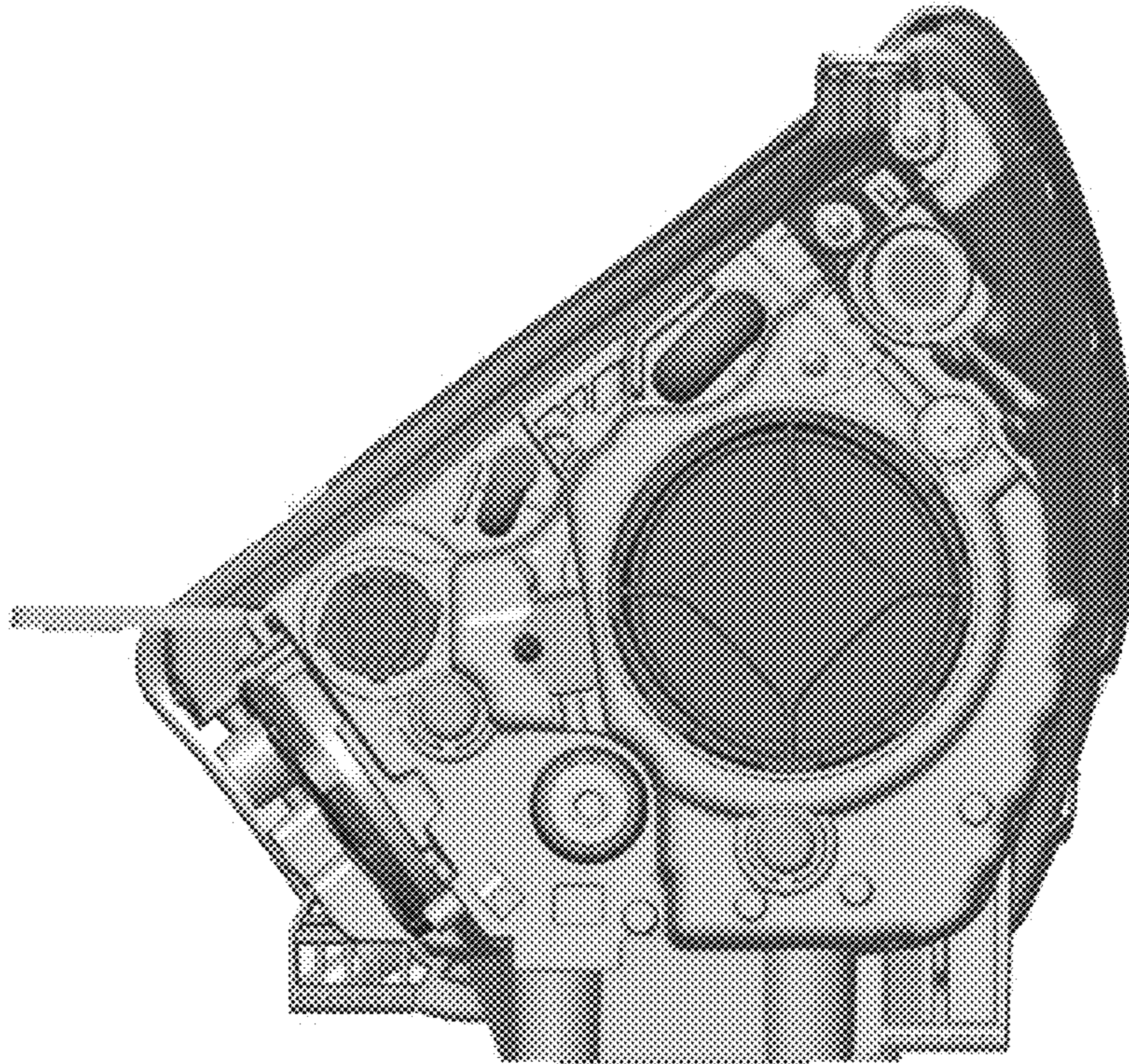
1.2



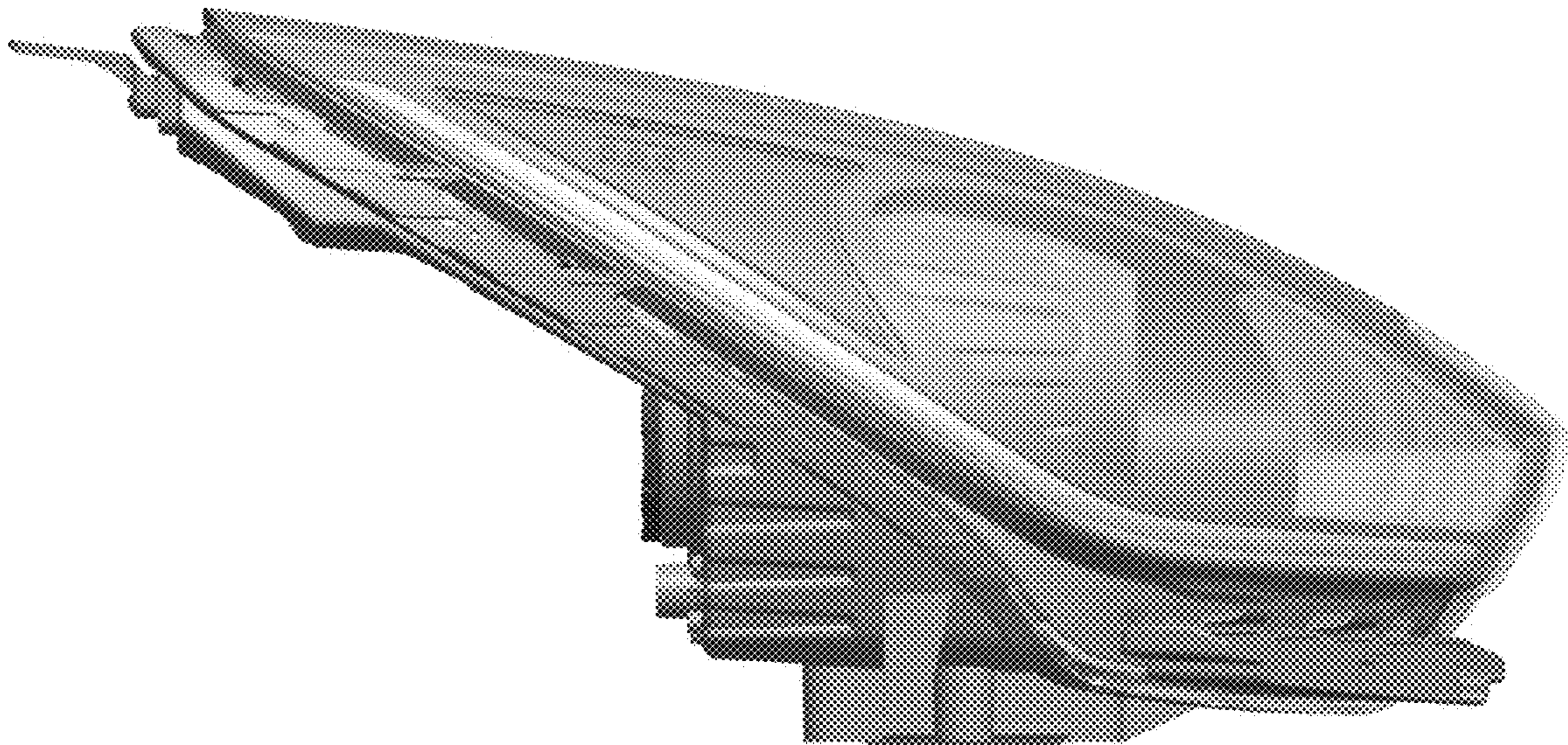
1.3



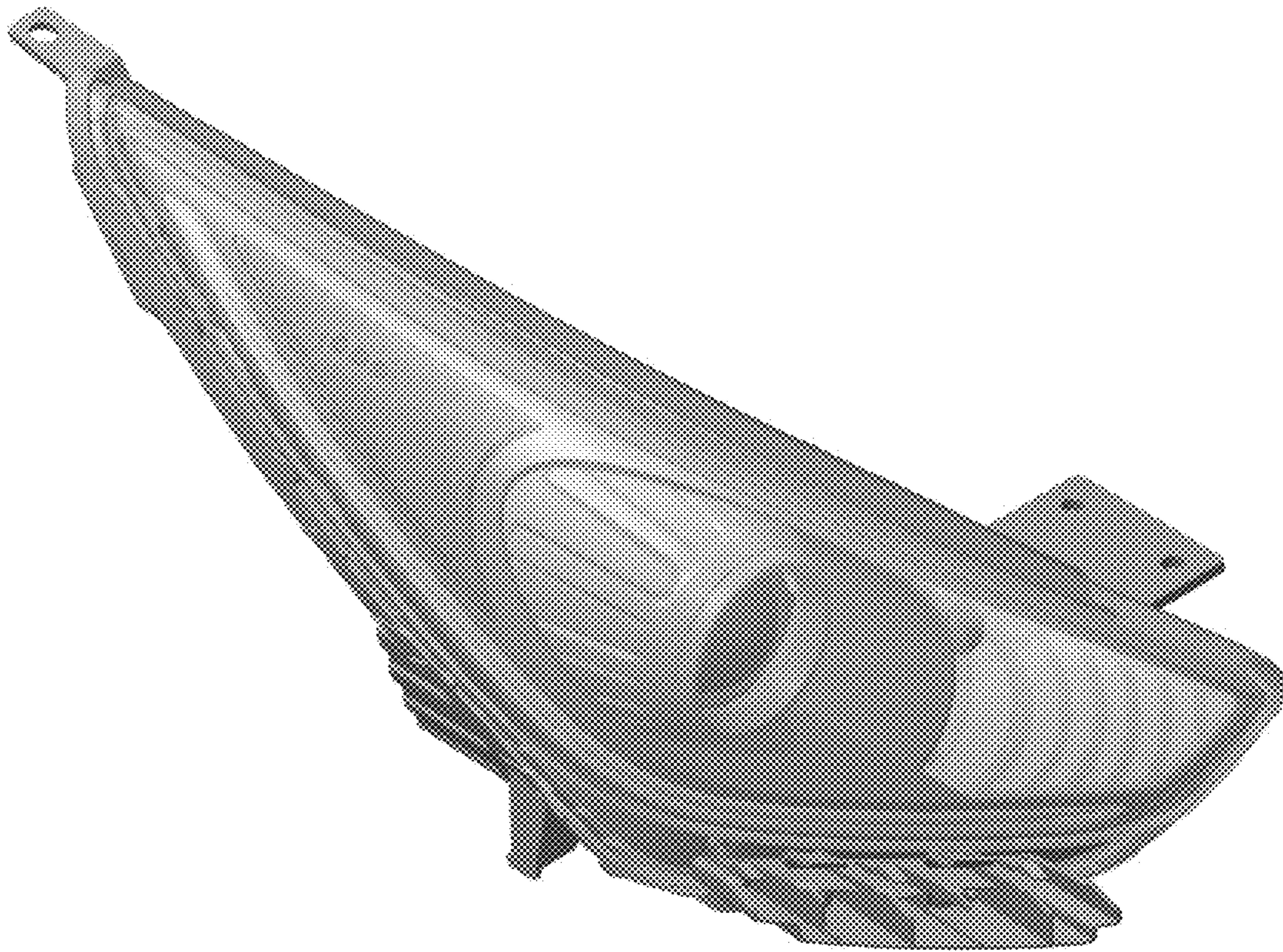
1.4



1.5



1.6



1.7

