

US00D801565S

(12) **United States Design Patent** (10) **Patent No.:** **US D801,565 S**
Oh et al. (45) **Date of Patent:** **** Oct. 31, 2017**

(54) **AUTOMOBILE TAILLIGHT**
(71) Applicant: **KIA MOTORS CORPORATION**,
Seoul (KR)
(72) Inventors: **Yun-Seok Oh**, Seoul (KR); **Gwon-Hak Lee**, Bucheon-si (KR); **Young-Min Kim**, Seoul (KR); **Oh-Young Kwon**, Hwaseong-si (KR); **Jae-Hun Lee**, Anyang-si (KR)

(**) Term: **15 Years**

(21) Appl. No.: **35/501,259**

(22) Filed: **Jun. 3, 2016**

(80) **Hague Agreement Data**

Int. Filing Date: **Jun. 3, 2016**
Int. Reg. No.: **DM/091533**
Int. Reg. Date: **Jun. 3, 2016**
Int. Reg. Pub. Date: **Jul. 22, 2016**

(51) **LOC (10) Cl.** **26-07**
(52) **U.S. Cl.**
USPC **D26/28**

(58) **Field of Classification Search**
USPC D26/28-36
CPC F21S 48/00; F21S 48/10; F21S 48/115;
F21S 48/225; F21S 48/1233; F21S
48/1266; F21S 48/1388; F21S 48/2268;
F21V 21/04
See application file for complete search history.

(56) **References Cited**

U.S. PATENT DOCUMENTS

D592,775 S * 5/2009 George D26/28
D621,533 S * 8/2010 Kuo D26/28

D638,559 S * 5/2011 Huet D26/28
D638,961 S * 5/2011 Ebel D26/28
D686,357 S * 7/2013 Morgenstern D26/28
D686,766 S * 7/2013 Morgenstern D26/28
D694,442 S * 11/2013 Lai D26/28
D710,525 S * 8/2014 Lai D26/28
D712,575 S * 9/2014 Gotschke D26/28
D714,478 S * 9/2014 Lai D26/28
D761,455 S * 7/2016 Futschik D26/28
D761,978 S * 7/2016 Lai D26/28
D765,289 S * 8/2016 Luk D26/28
D767,803 S * 9/2016 Faghihzadeh D26/28
D771,287 S * 11/2016 Ingenlath D26/28
D780,965 S * 3/2017 Binder D26/28
D780,966 S * 3/2017 Binder D26/28
2004/0202006 A1 * 10/2004 Pien F21S 48/211
362/545
2005/0195615 A1 * 9/2005 Takenaka F21S 48/1109
362/546
2014/0160779 A1 * 6/2014 Pusch F21S 48/236
362/511

* cited by examiner

Primary Examiner — Darlington Ly

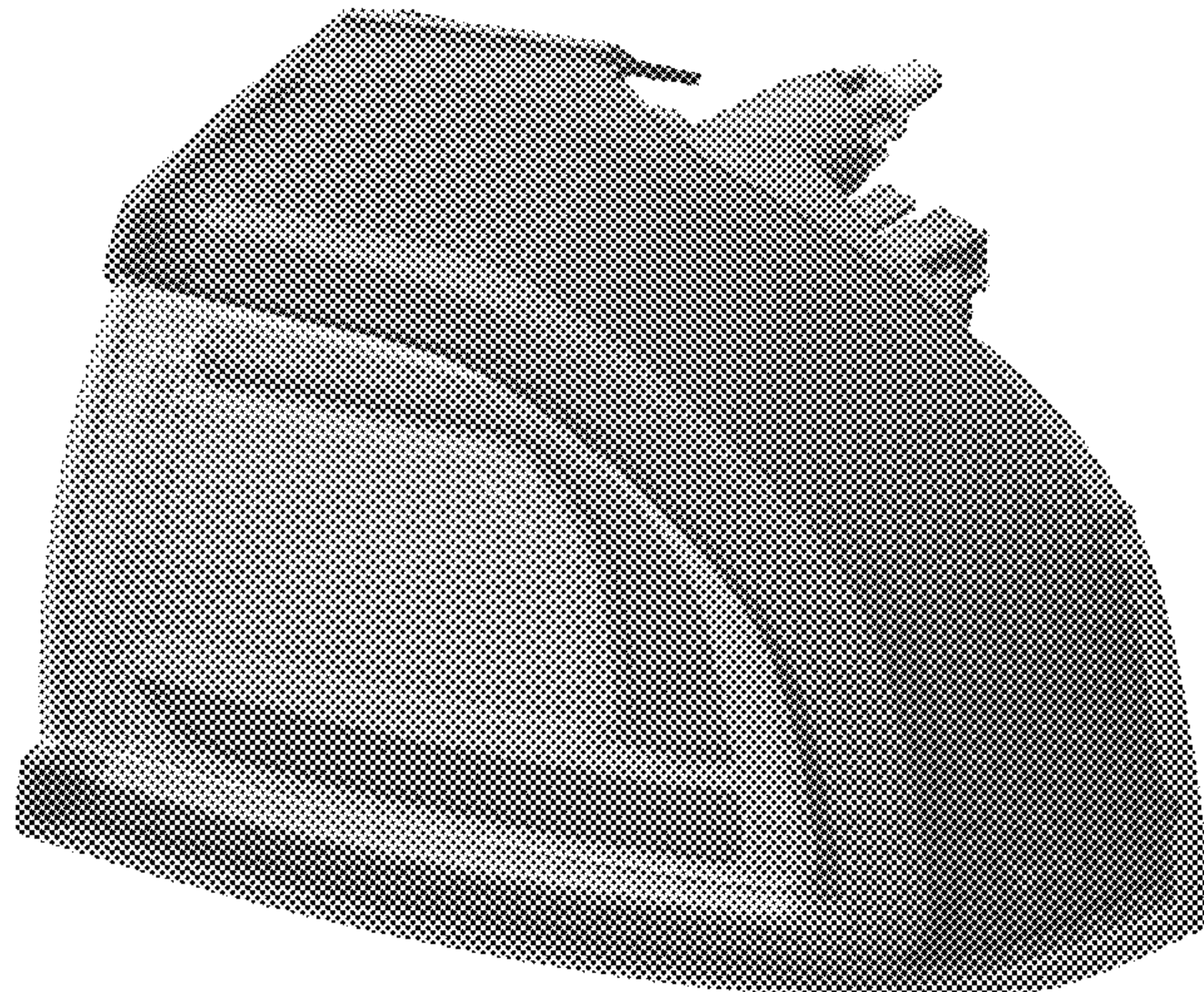
(57) **CLAIM**

The ornamental design for an automobile taillight, as shown and described.

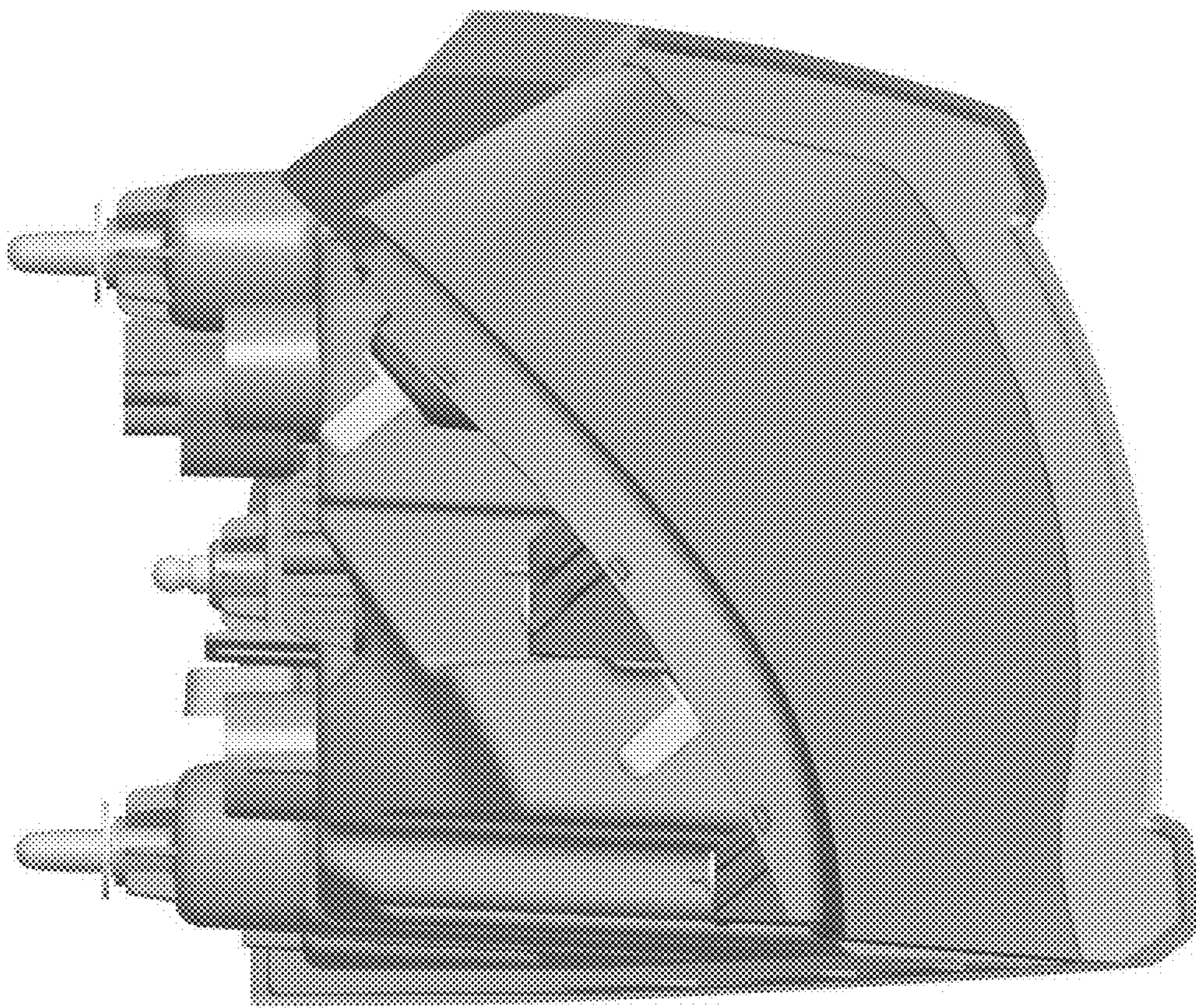
DESCRIPTION

1. Automobile taillight
1.1 is a left side elevation view of an automobile taillight showing our new design;
1.2 is a top plan view thereof;
1.3 is a right side elevation view thereof;
1.4 is a rear elevation view thereof;
1.5 is a top, front, and right side perspective view thereof;
1.6 is a front elevation view thereof; and
1.7 is a bottom plan view thereof.

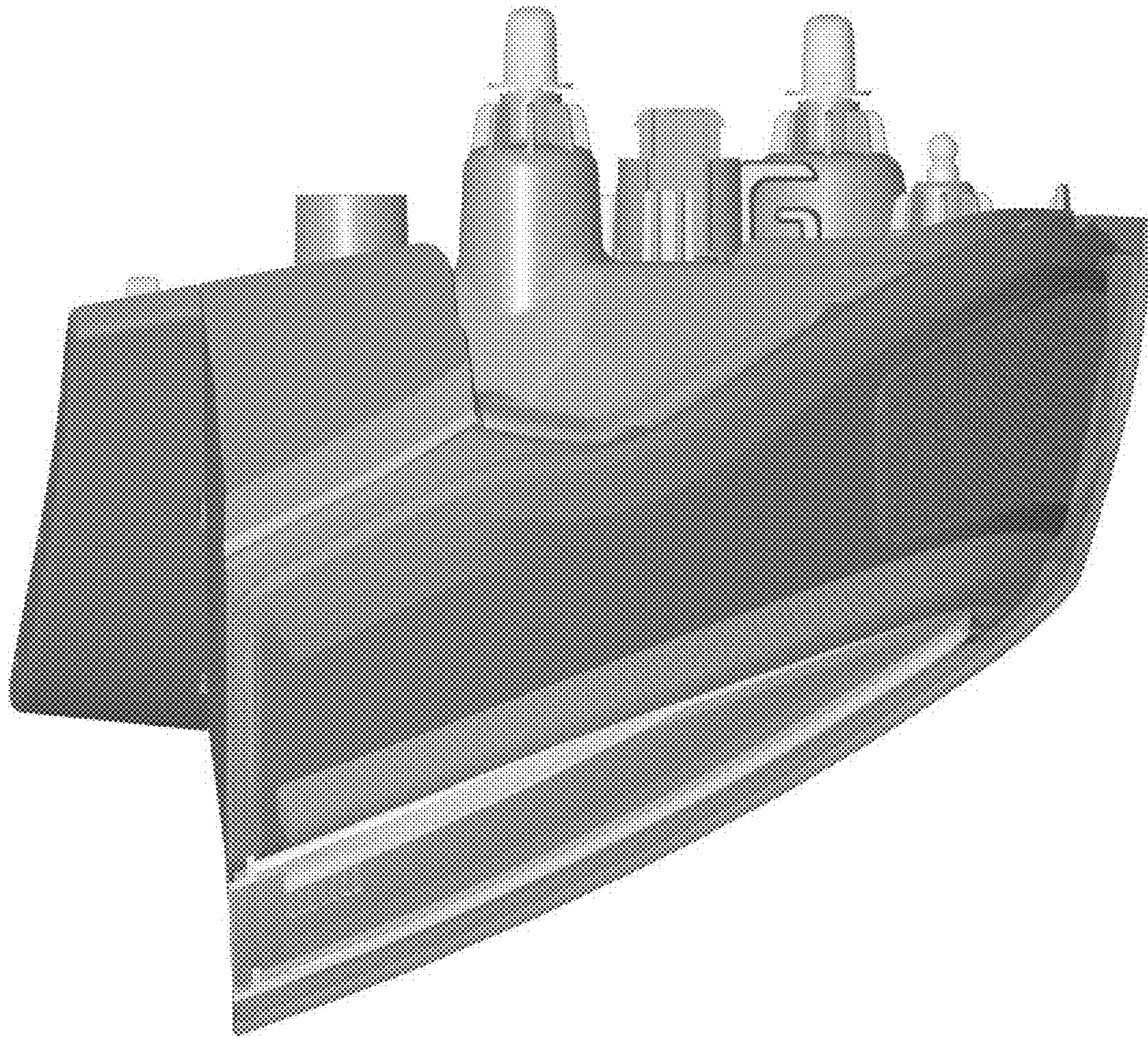
1 Claim, 7 Drawing Sheets



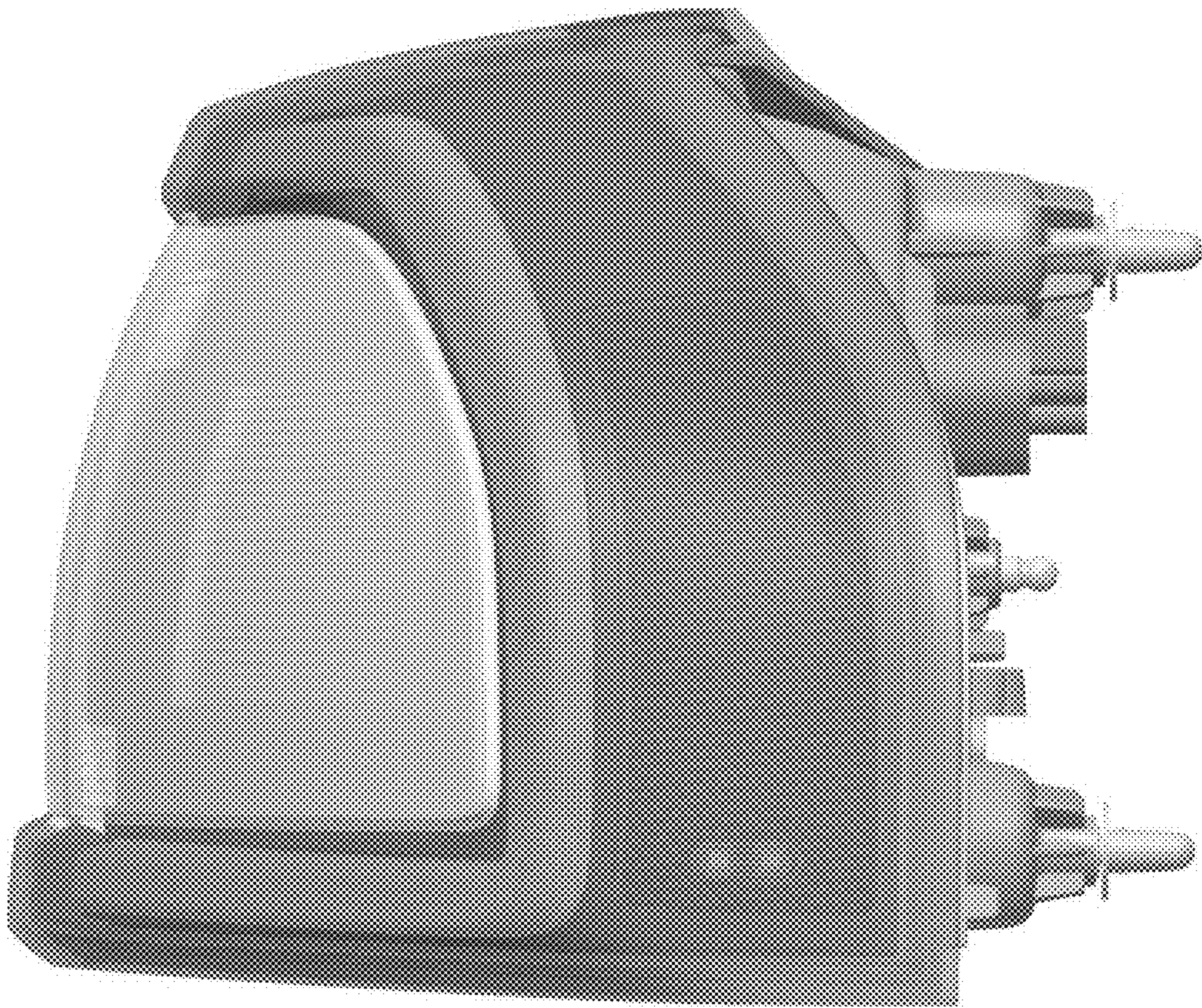
1.1



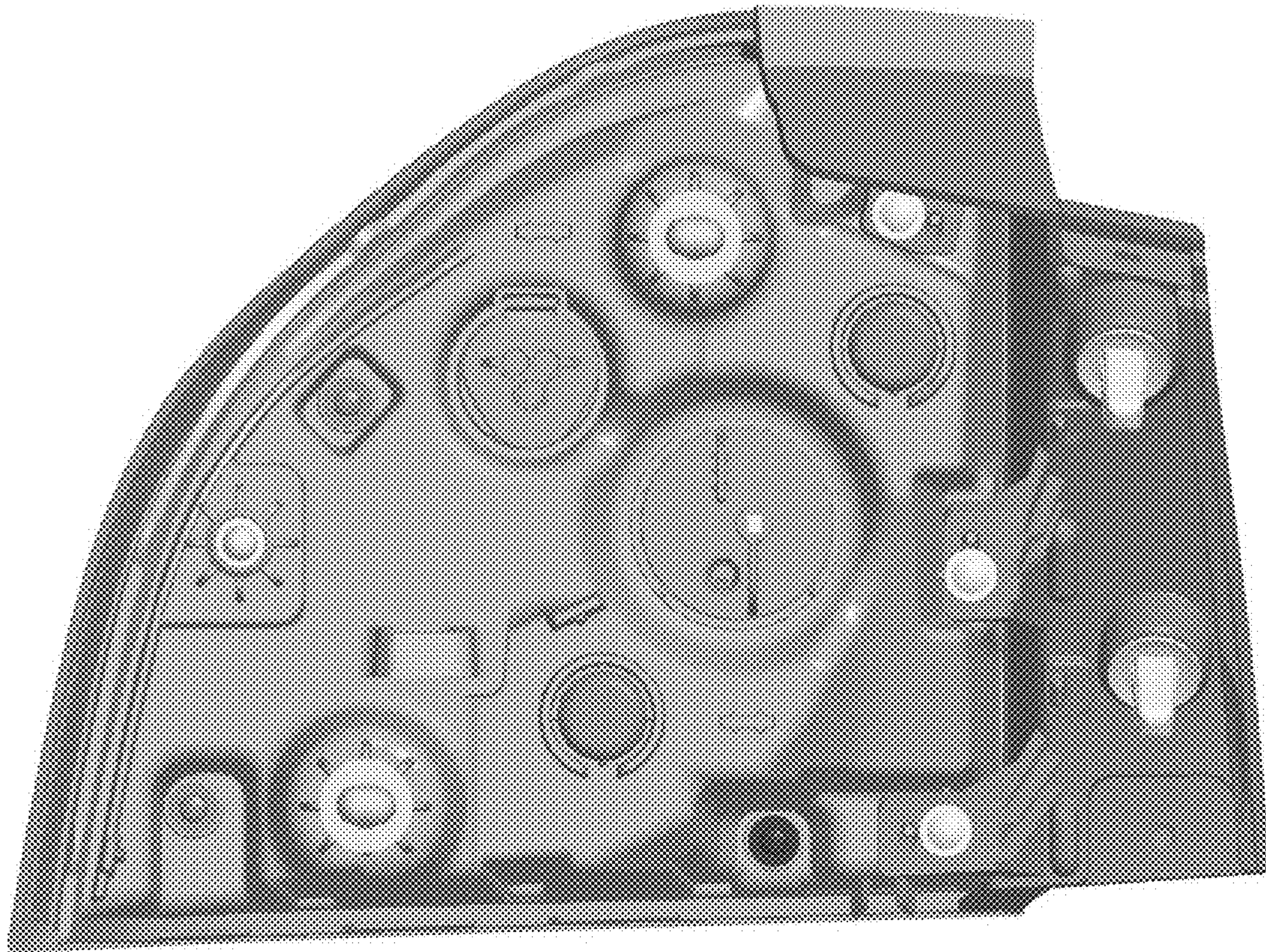
1.2



1.3



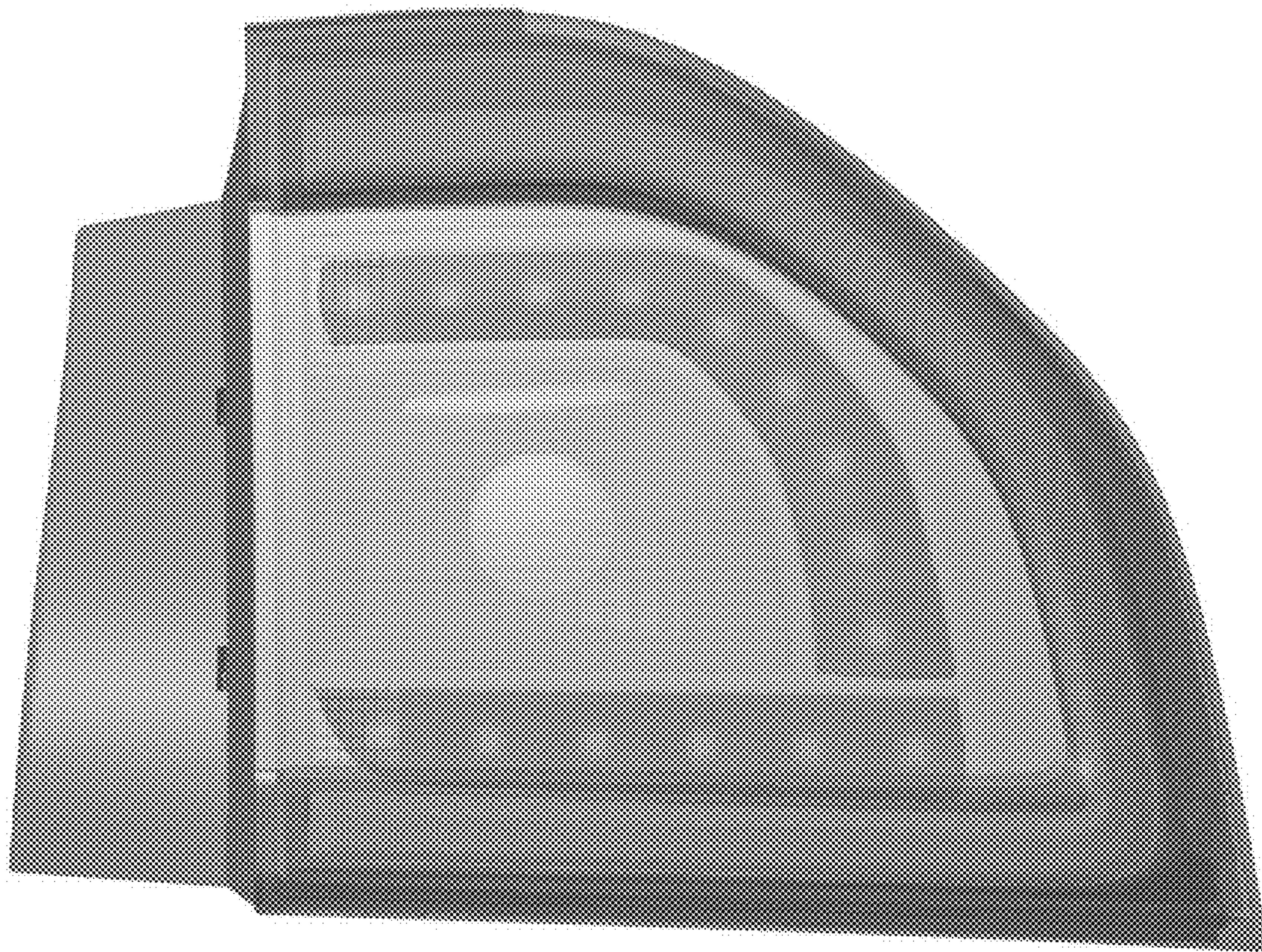
1.4



1.5



1.6



1.7

