

US00D801562S

(12) **United States Design Patent** (10) **Patent No.:** **US D801,562 S**
Kang (45) **Date of Patent:** **** Oct. 31, 2017**

(54) **REAR COMBINATION LAMP FOR A VEHICLE**
(71) Applicant: **GM GLOBAL TECHNOLOGY OPERATIONS LLC**, Detroit, MI (US)
(72) Inventor: **Sooyeon Kang**, Seoul (KR)
(73) Assignee: **GM GLOBAL TECHNOLOGY OPERATIONS LLC**, Detroit, MI (US)
(**) Term: **15 Years**
(21) Appl. No.: **29/578,060**
(22) Filed: **Sep. 19, 2016**

(30) **Foreign Application Priority Data**
Mar. 18, 2016 (KR) 30-2016-0012856
(51) **LOC (10) Cl.** **26-06**
(52) **U.S. Cl.**
USPC **D26/28**
(58) **Field of Classification Search**
USPC D26/28-36; 362/80-83, 267-269, 362/459-468, 475-478, 485-487
CPC F21S 48/00; F21S 48/10; F21S 48/115; F21S 48/1233; F21S 48/1266; F21S 48/1388; F21S 48/2268; F21V 21/04; B60Q 9/13; B60Q 9/135; B60Q 9/1375
See application file for complete search history.

(56) **References Cited**
U.S. PATENT DOCUMENTS
D409,772 S * 5/1999 Bangle D26/28
D675,353 S * 1/2013 Kazama D26/28
D679,432 S * 4/2013 Frenzel D26/28
D746,497 S * 12/2015 Behmer D26/28
D749,247 S * 2/2016 Han D26/28

* cited by examiner
Primary Examiner — Marcus Jackson
(74) *Attorney, Agent, or Firm* — Browdy and Neimark, PLLC

(57) **CLAIM**
The ornamental design for a rear combination lamp of car, as shown and described.

DESCRIPTION
FIG. 1 is a perspective view of new design for the left rear combination lamp of car as shown in the drawings (the right rear combination lamp of car being a mirror image and is not shown);
FIG. 2 is a front elevation view thereof;
FIG. 3 is a rear elevation view thereof;
FIG. 4 is a left side elevation view thereof;
FIG. 5 is a right side elevation view thereof;
FIG. 6 is a top plan view thereof; and,
FIG. 7 is a bottom plan view thereof.

1 Claim, 7 Drawing Sheets





FIG. 1



FIG. 2



FIG. 3



FIG. 4

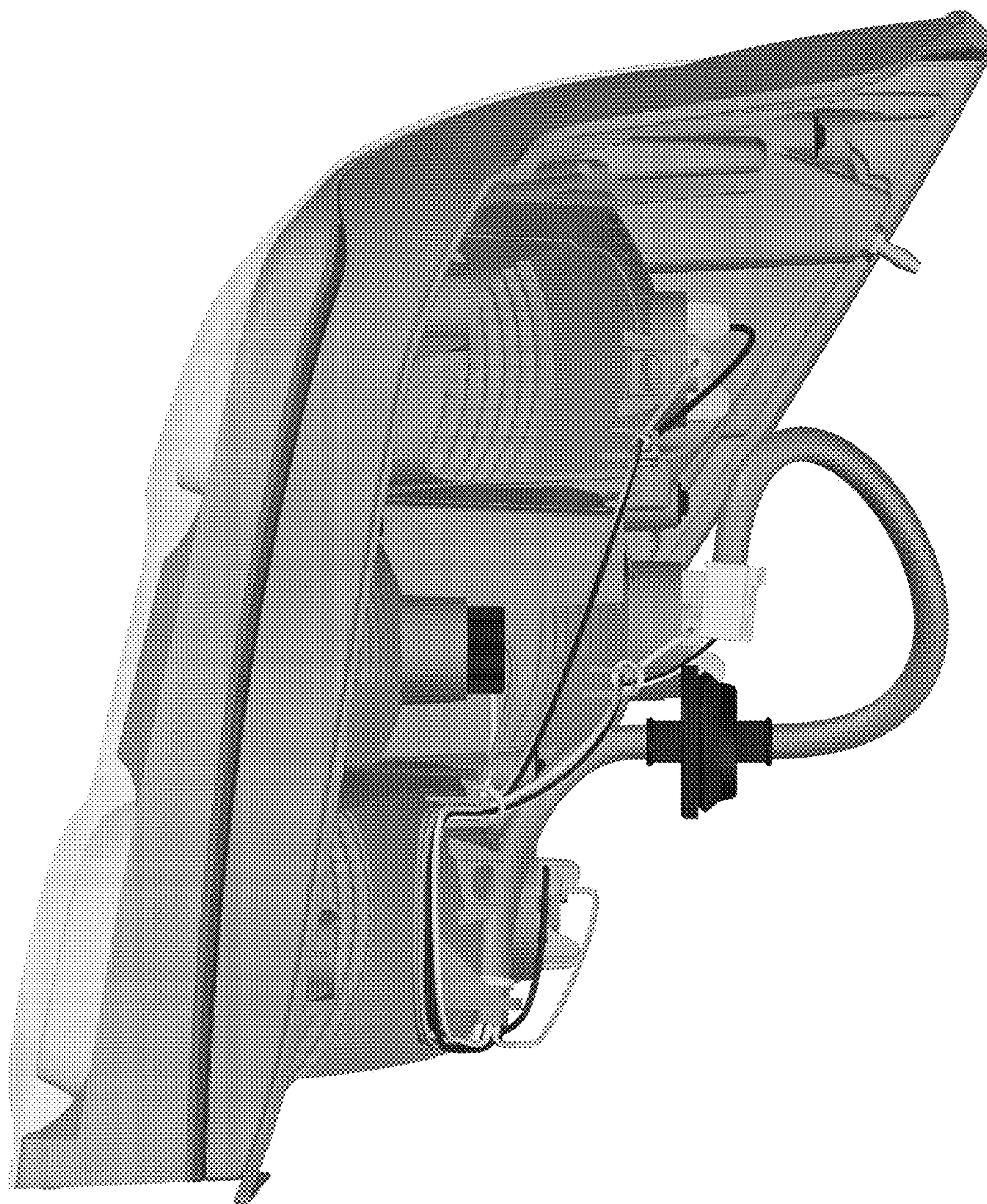


FIG. 5

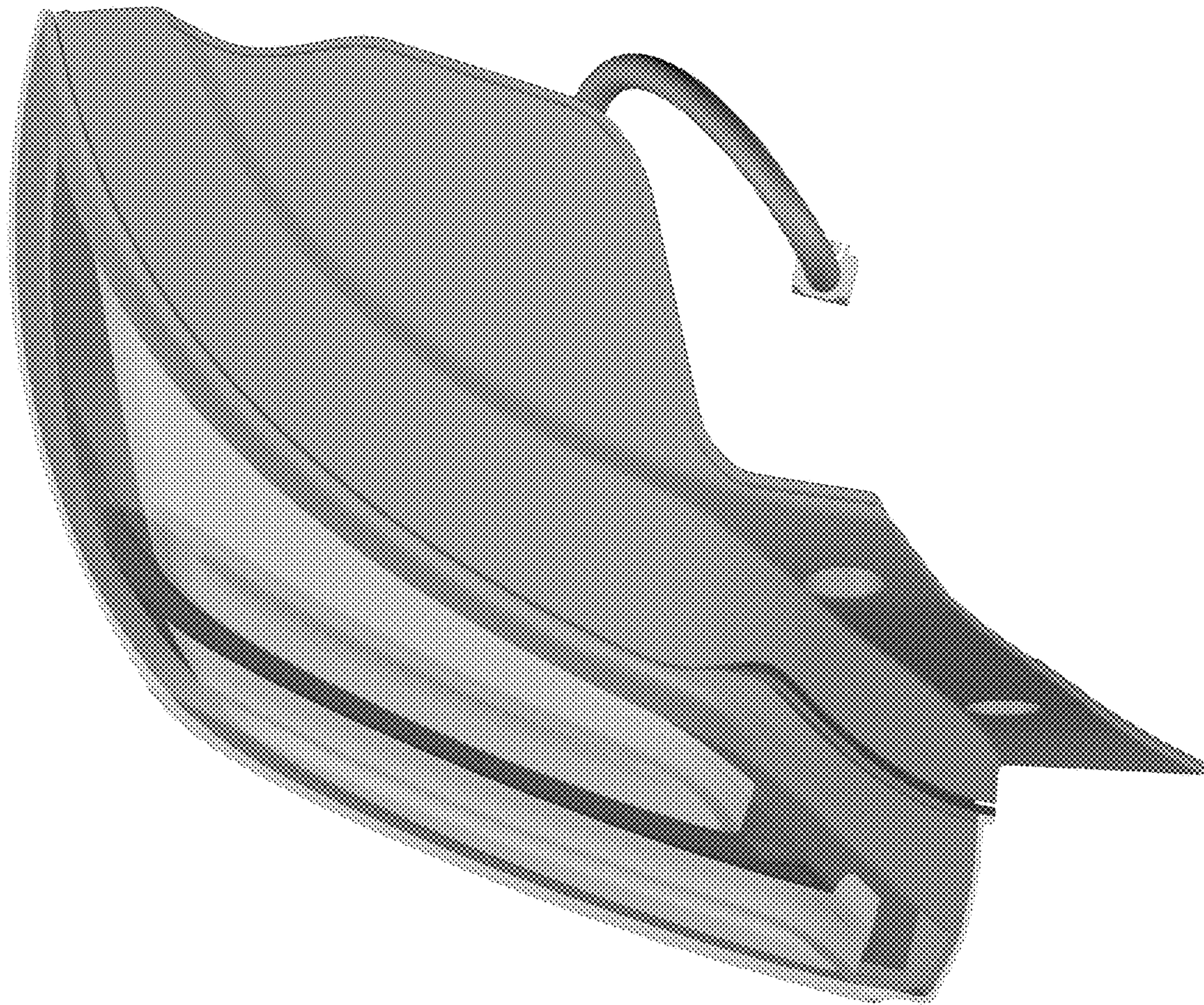


FIG. 6

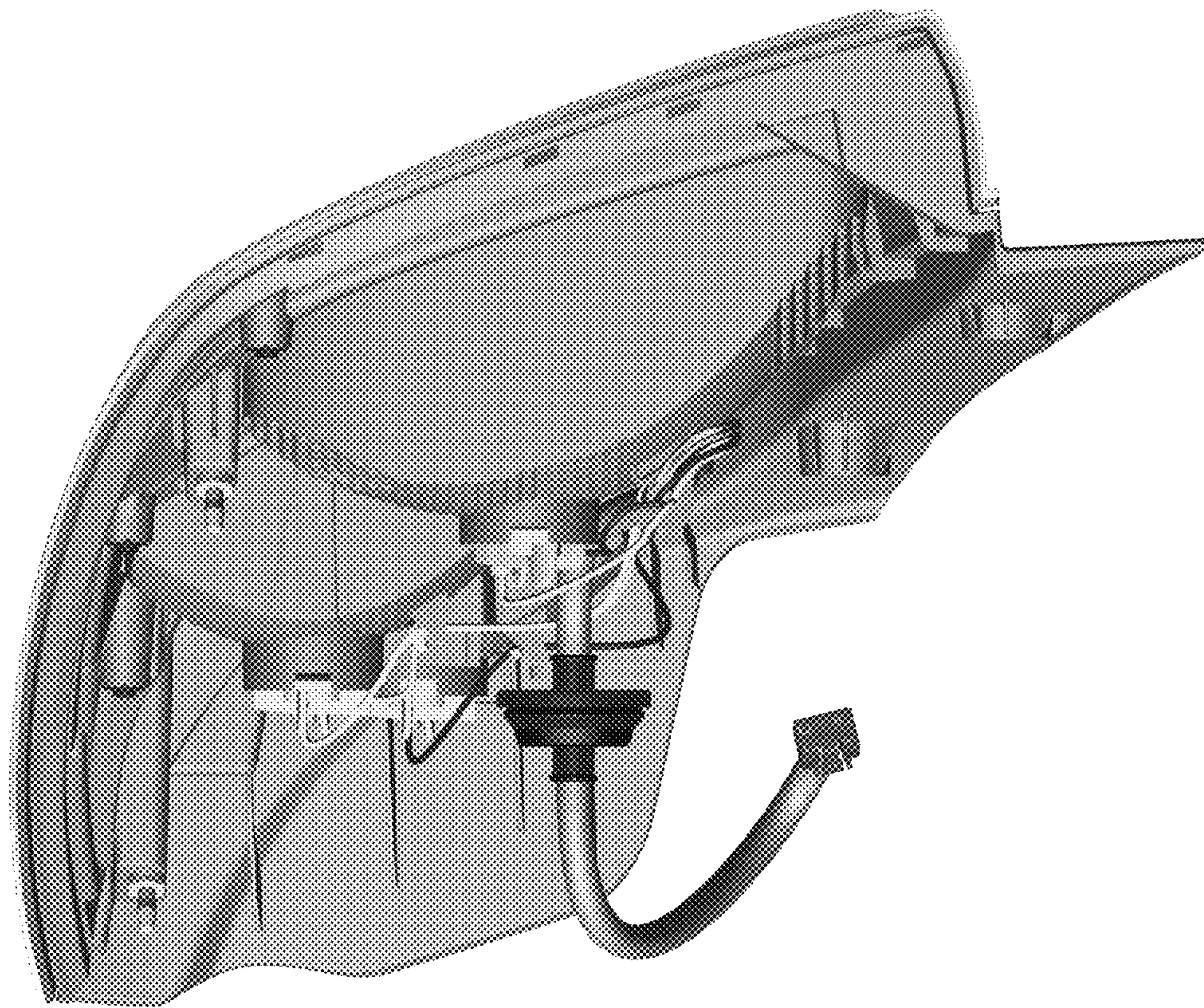


FIG. 7