



US00D801559S

(12) **United States Design Patent** (10) **Patent No.:** **US D801,559 S**  
**Kinoshita et al.** (45) **Date of Patent:** **\*\* Oct. 31, 2017**

(54) **FRONT COMBINATION LAMP FOR AN AUTOMOBILE**

D709,223 S \* 7/2014 Lai ..... D26/28  
D719,689 S \* 12/2014 Gotschke ..... D26/28  
D723,197 S \* 2/2015 Campbell ..... D26/28

(71) Applicants: **Masanori Kinoshita**, Nagoya (JP);  
**Kazumi Kowaki**, Nisshin (JP)

**OTHER PUBLICATIONS**

(72) Inventors: **Masanori Kinoshita**, Nagoya (JP);  
**Kazumi Kowaki**, Nisshin (JP)

Toyota, Toyota Highlander (2013), in Catalogue of Toyota Highlander, published Oct. 1, 2013.

(73) Assignee: **Toyota Jidosha Kabushiki Kaisha** (JP)

Jaguar Land Rover, Jaguar XE (2015), at <<http://autoc-one.jp/jaguar/xe/>>, Jul. 28, 2015.

(\*\*) Term: **15 Years**

Kia Motors, Kia Optima (2016), at <<http://www.autoblog.com/photos/2016-kia-optima/>>, Apr. 1, 2015.

(21) Appl. No.: **29/575,340**

\* cited by examiner

(22) Filed: **Aug. 24, 2016**

*Primary Examiner* — Marcus Jackson

(30) **Foreign Application Priority Data**

(74) *Attorney, Agent, or Firm* — Saidman DesignLaw Group, LLC

Feb. 26, 2016 (JP) ..... 2016-004185

(51) **LOC (10) Cl.** ..... **26-06**

(52) **U.S. Cl.**  
USPC ..... **D26/28**

(57) **CLAIM**

The ornamental design for a front combination lamp for an automobile, as shown and described.

(58) **Field of Classification Search**

USPC ..... D26/28-36; 362/80-83, 267-269,  
362/459-468, 475-478, 485-487  
CPC ..... F21S 48/00; F21S 48/10; F21S 48/115;  
F21S 48/1233; F21S 48/1266; F21S  
48/1388; F21S 48/2268; F21V 21/04  
See application file for complete search history.

**DESCRIPTION**

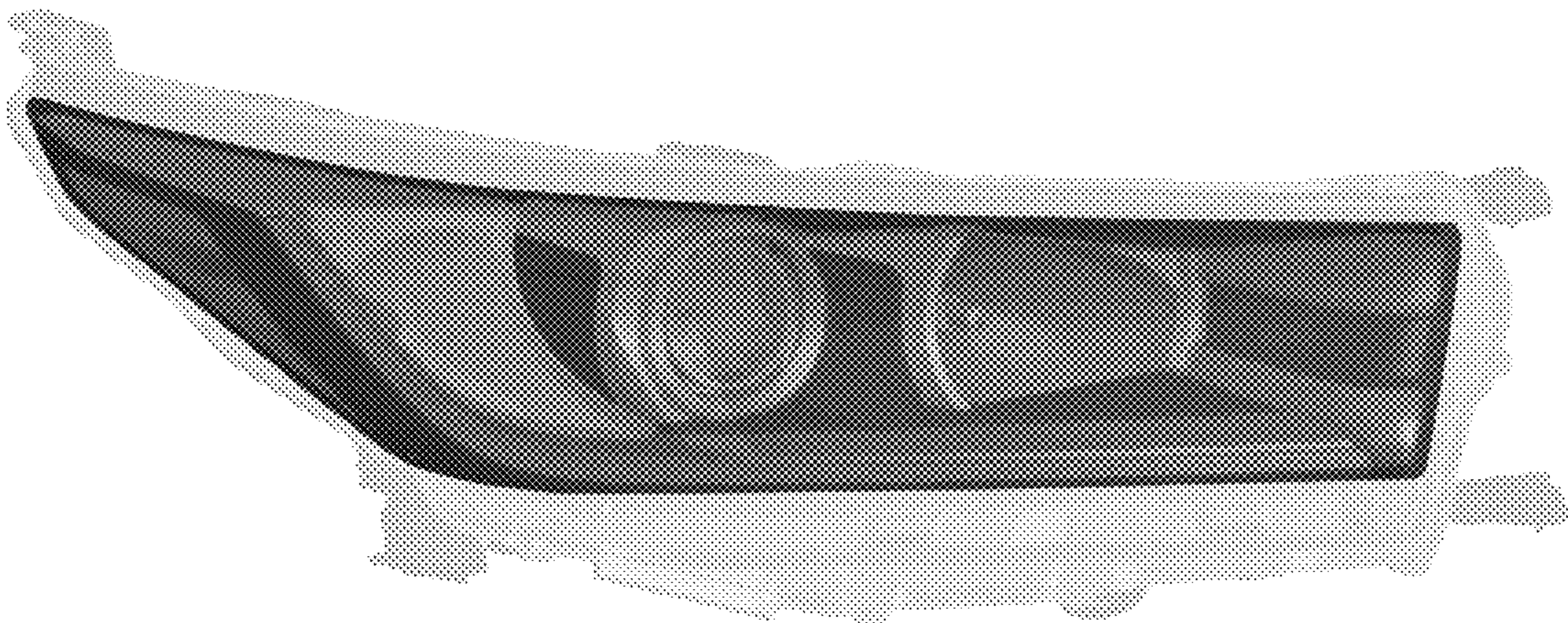
FIG. 1 is a front perspective view of a front combination lamp for an automobile showing our new design;  
FIG. 2 is a front view thereof;  
FIG. 3 is a rear view thereof;  
FIG. 4 is a top view thereof;  
FIG. 5 is a bottom view thereof;  
FIG. 6 is a left side view thereof; and,  
FIG. 7 is a right side view thereof.  
The claimed design is indicated by the relatively dark portions in the figures. The relatively light portions form no part of the claimed design.

(56) **References Cited**

**U.S. PATENT DOCUMENTS**

D636,506 S \* 4/2011 Kim ..... D26/28  
D657,898 S \* 4/2012 Choi ..... D26/28

**1 Claim, 7 Drawing Sheets**



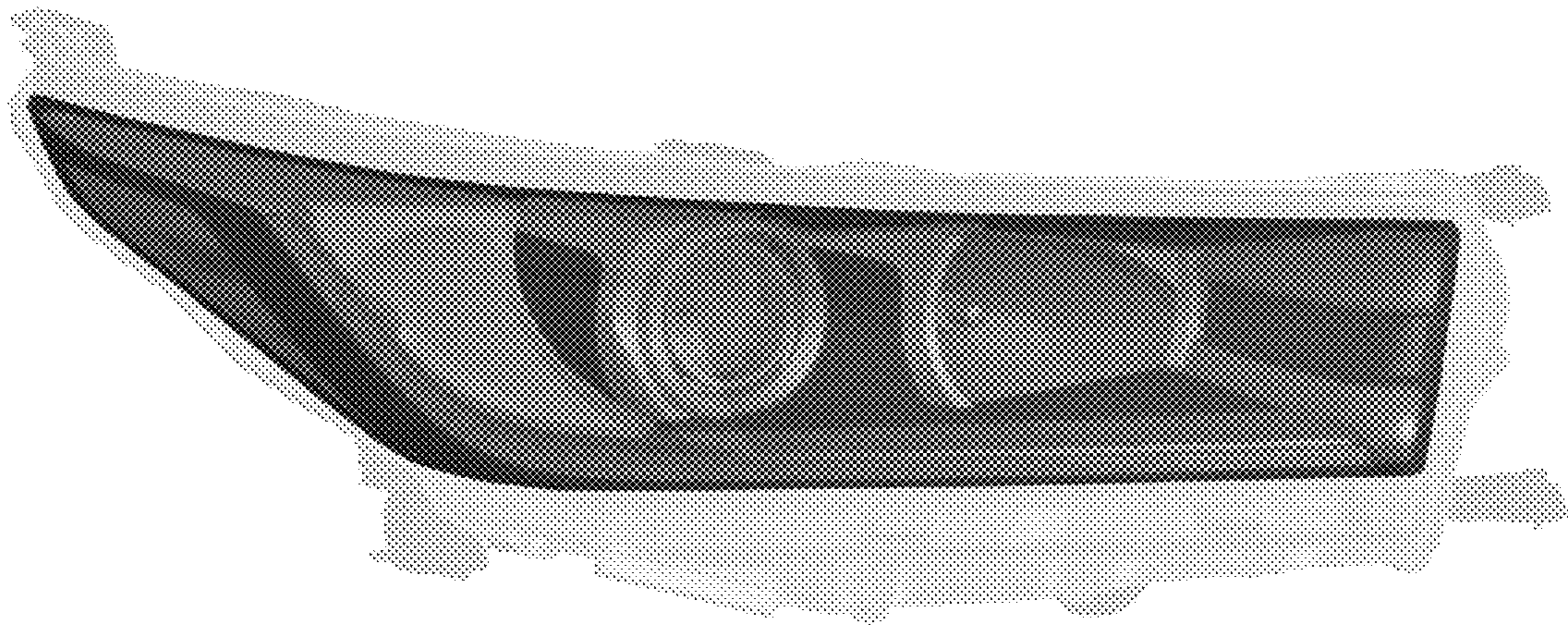
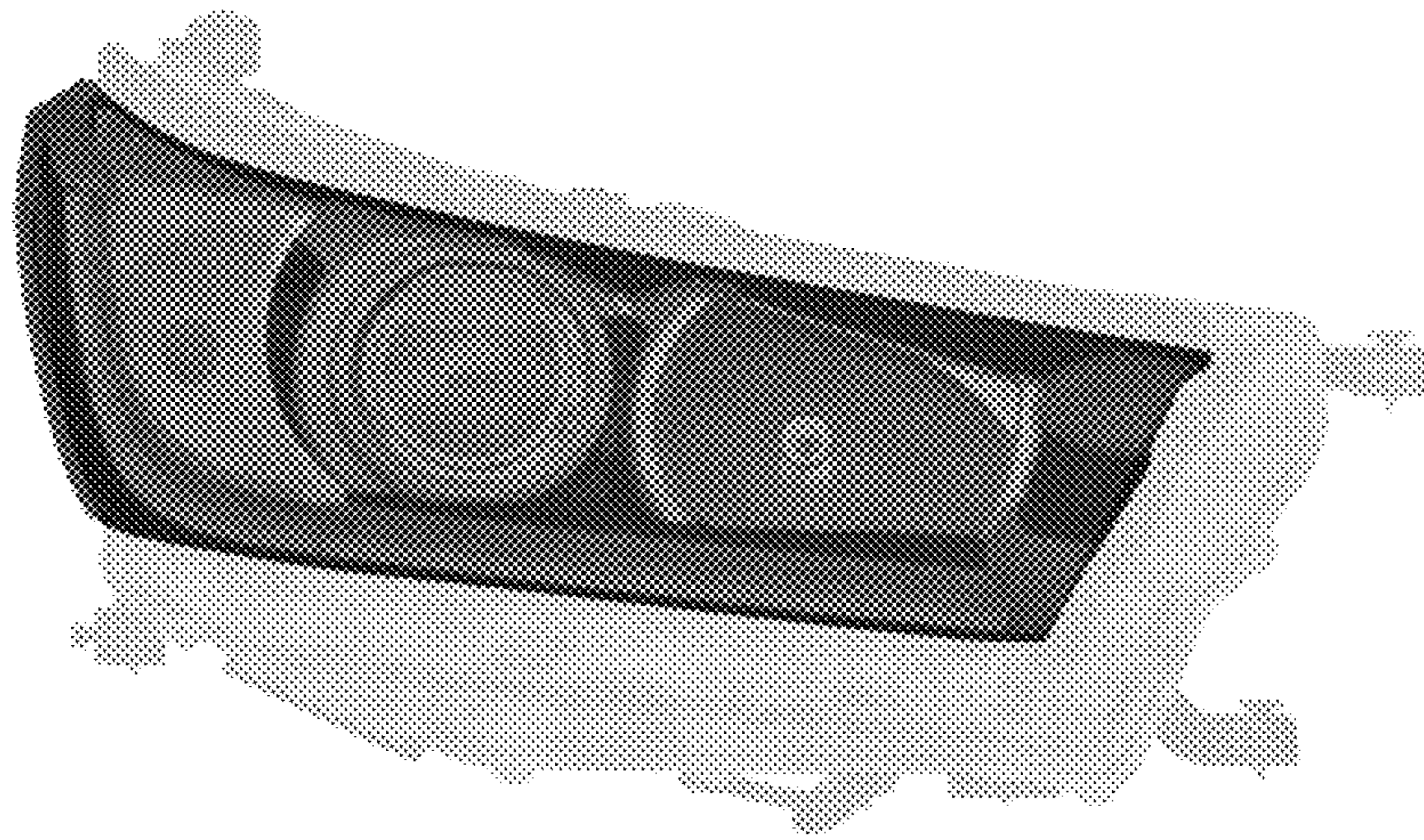
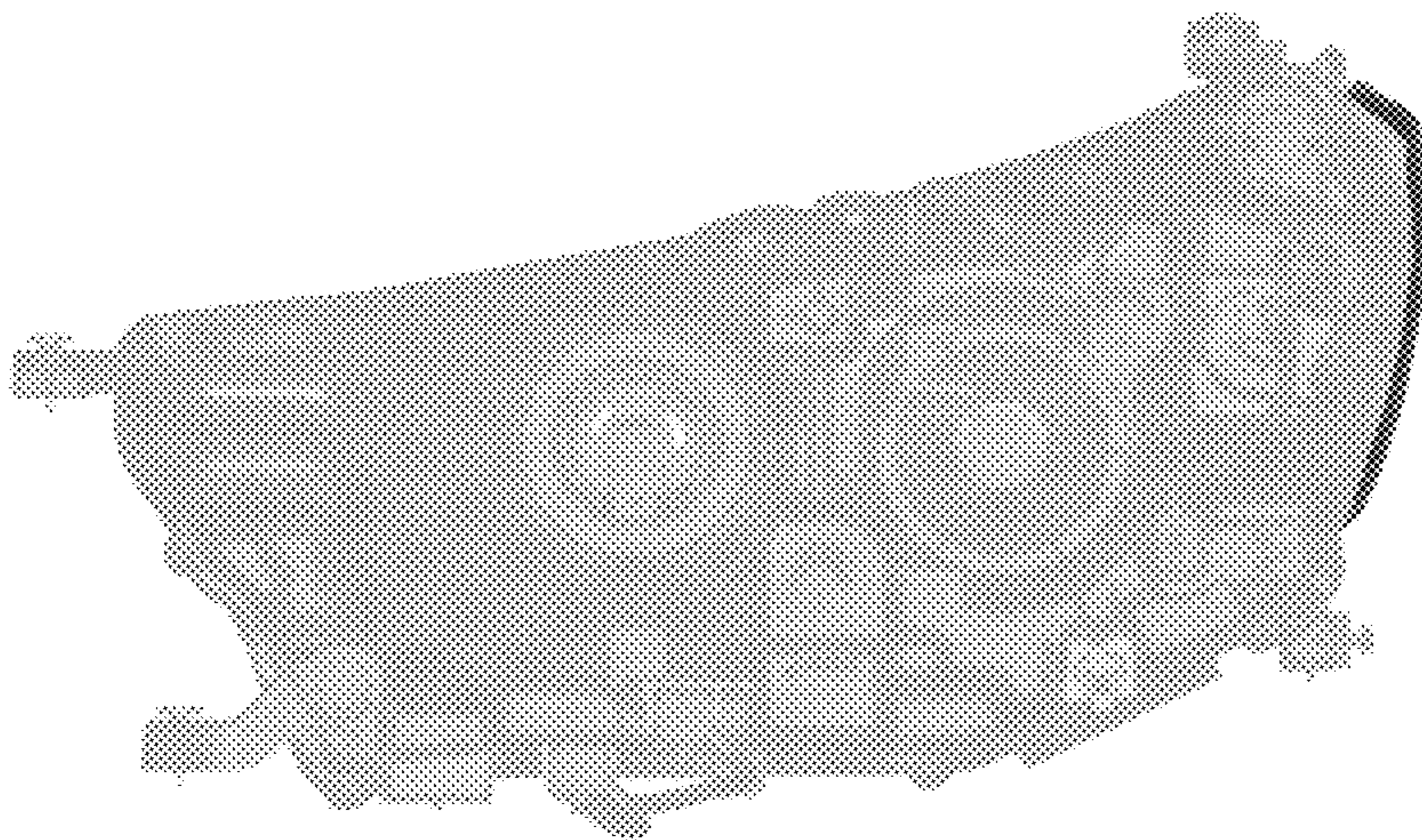


FIG. 1



**FIG. 2**



**FIG. 3**

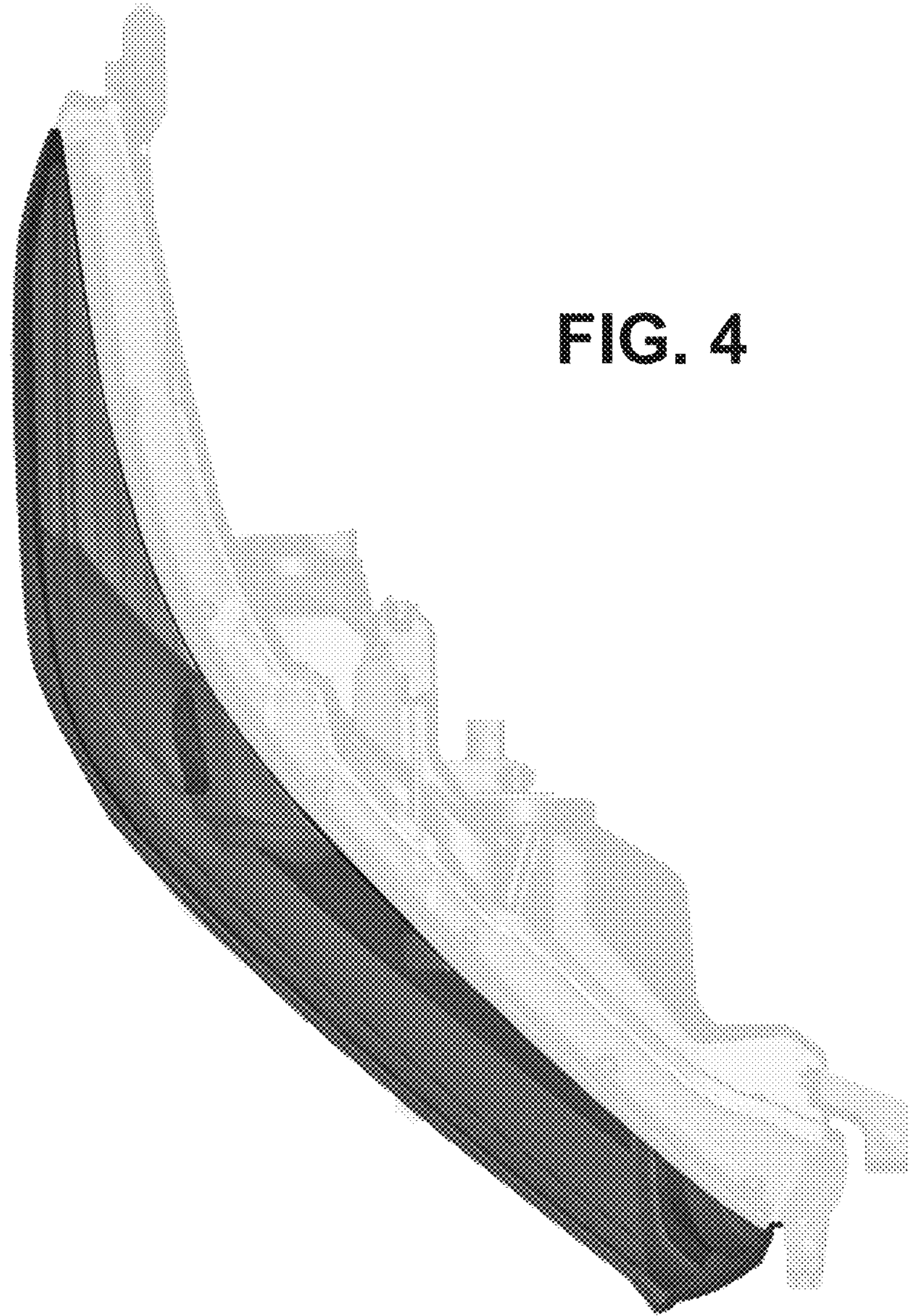
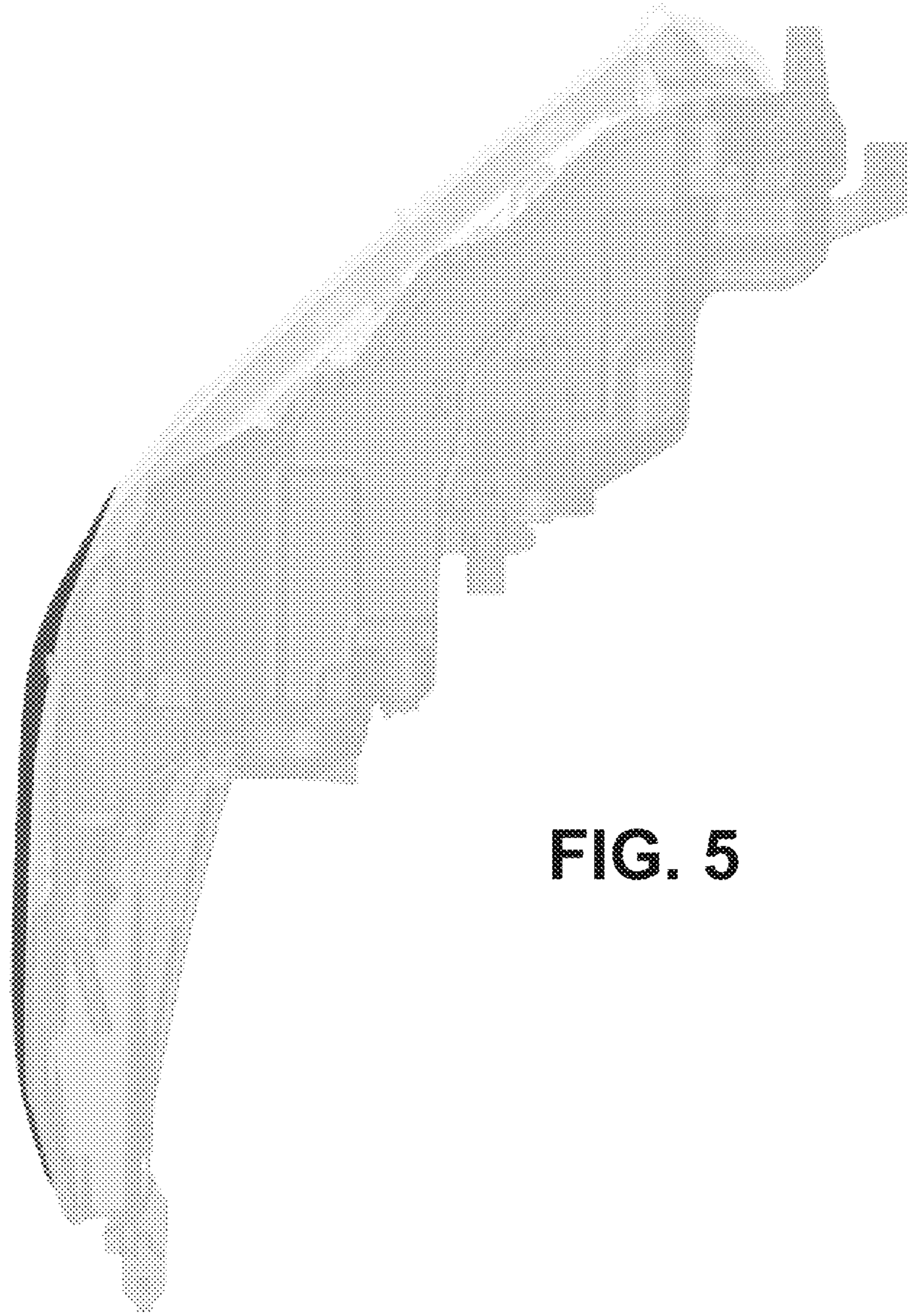
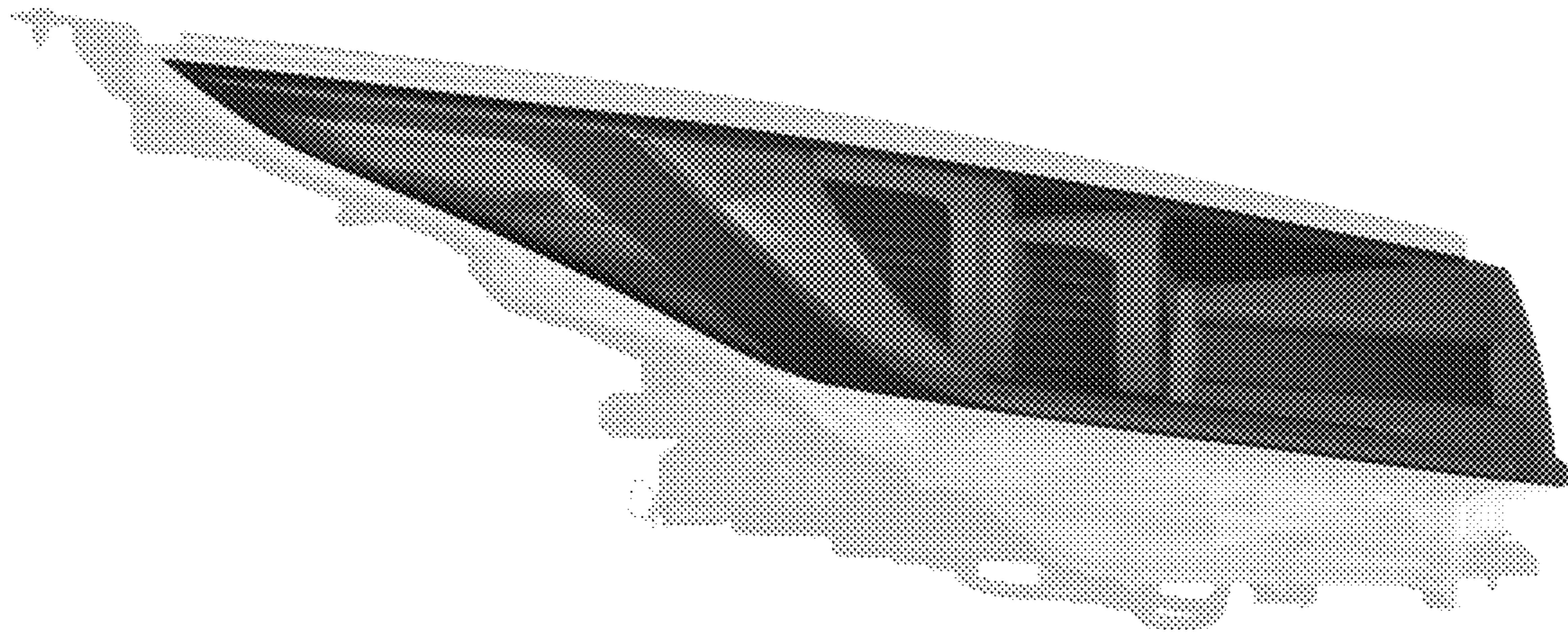


FIG. 4



**FIG. 5**



**FIG. 6**

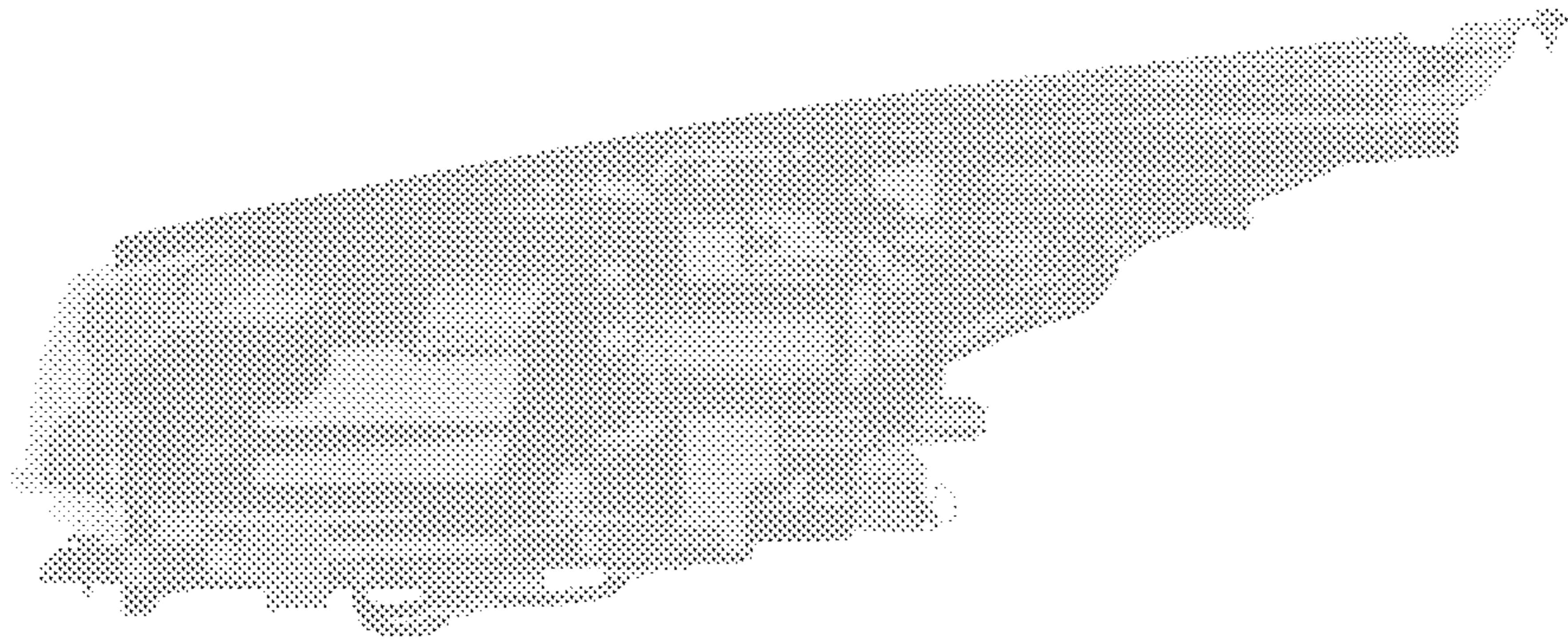


FIG. 7