



US00D801557S

(12) **United States Design Patent**
Cao et al.

(10) **Patent No.:** **US D801,557 S**
(45) **Date of Patent:** **** Oct. 31, 2017**

(54) **PARABOLIC LED LAMP**

(71) Applicant: **Ningbo Yamao Optoelectronics Co., Ltd.**, Xikou Ningbo, Zhejiang (CN)

(72) Inventors: **Maojun Cao**, Zhejiang (CN); **Hui Chen**, Zhejaing (CN); **Hu Fang**, Zhejiang (CN)

(73) Assignee: **NINGBO YAMAO OPTOELECTRONICS CO., LTD.**, Zhenjiang (CN)

(**) Term: **15 Years**

(21) Appl. No.: **29/579,277**

(22) Filed: **Sep. 29, 2016**

(30) **Foreign Application Priority Data**

Mar. 31, 2016 (CN) 2016 3 0103308

(51) **LOC (10) Cl.** **26-04**

(52) **U.S. Cl.**
USPC **D26/2**

(58) **Field of Classification Search**

USPC D26/1-4; 313/313, 315, 316, 317, 318, 313/493; 315/52, 53, 56, 57, 58
CPC H01R 5/00; H01R 13/46; H01R 13/514; H01R 31/048; H01R 31/02; H01J 5/00; H01J 5/16; H01J 15/00; H01J 5/48; H01J 5/50; H01J 19/54; F21V 5/00

See application file for complete search history.

(56) **References Cited**

U.S. PATENT DOCUMENTS

D532,532 S * 11/2006 Maxik D26/2
D544,110 S * 6/2007 Hooker D26/2

D566,300 S * 4/2008 Lo D26/2
D581,555 S * 11/2008 To D26/2
D584,838 S * 1/2009 To D26/2
D610,722 S * 2/2010 Bi D26/2

* cited by examiner

Primary Examiner — Marcus Jackson

(74) *Attorney, Agent, or Firm* — Andrew F. Young, Esq.;
Lackebach Siegel, LLP

(57) **CLAIM**

The ornamental design for a parabolic LED lamp, as shown and described.

DESCRIPTION

FIG. 1 is a front elevation view of a parabolic LED lamp showing our new design.

FIG. 2 is a rear elevation view of FIG. 1.

FIG. 3 is a top plan view of FIG. 1.

FIG. 4 is a bottom plan view of FIG. 1.

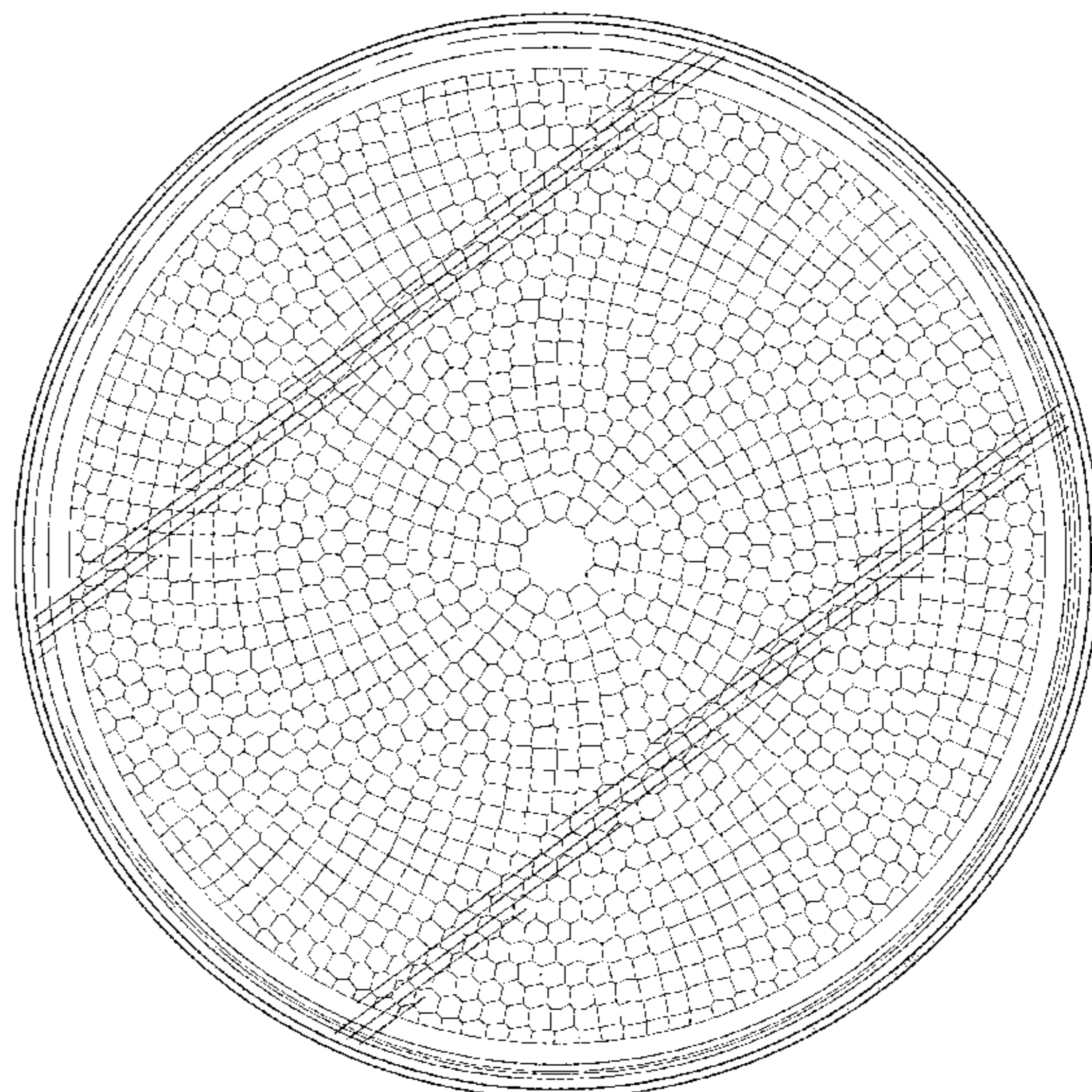
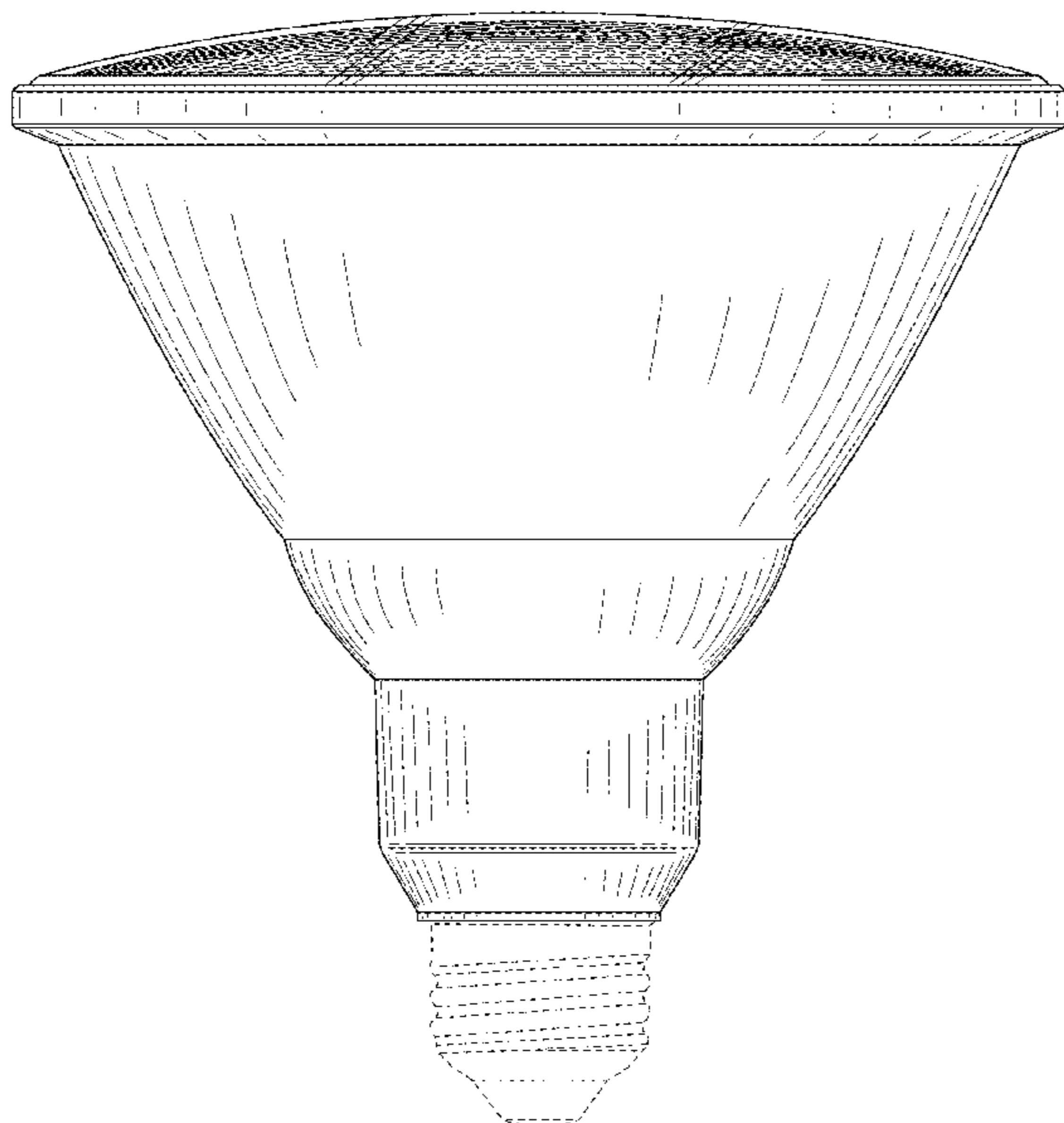
FIG. 5 is a left elevation view of FIG. 1.

FIG. 6 is a right elevation of FIG. 1; and,

FIG. 7 is an illustrative cross sectional view of FIG. 1 of the parabolic LED lamp, illustrating the present invention.

The drawings, the broken lines depict unclaimed environmental subject matter and form no part of the claim. There is no claim to the internal portions of the LED lamp. There is no claim to the cross-sectional aspects of the illustration in FIG. 7 which is provided as an illustration aid. There is no claim to the internal surfaces of the LED lamp, or portions of the design not illustrated. The LED lamp is concentric about a central axis. The lens cover is formed with a smooth surface and thereunder with the pattern noted in FIG. 3.

1 Claim, 7 Drawing Sheets



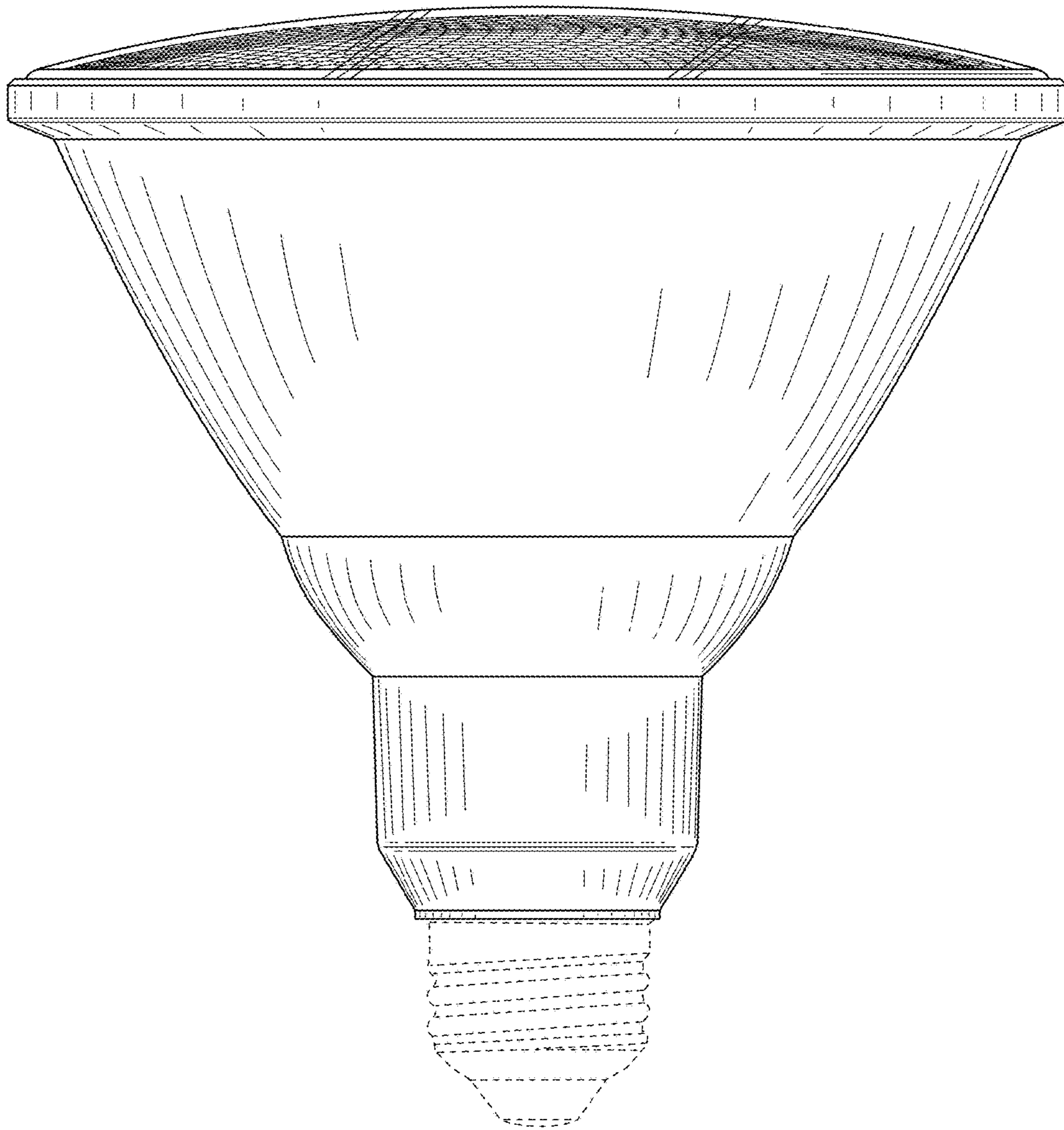


FIG. 1

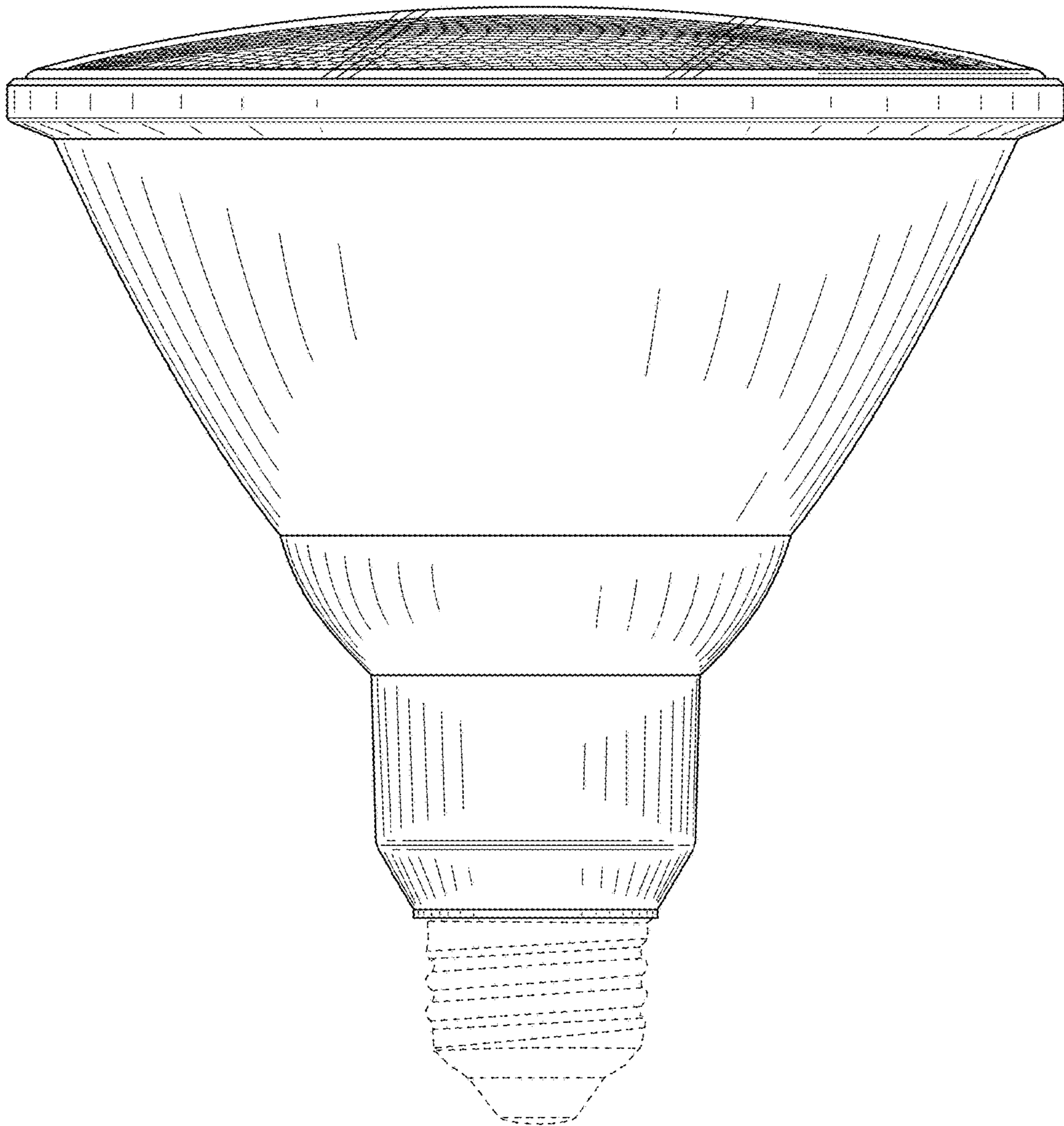


FIG. 2

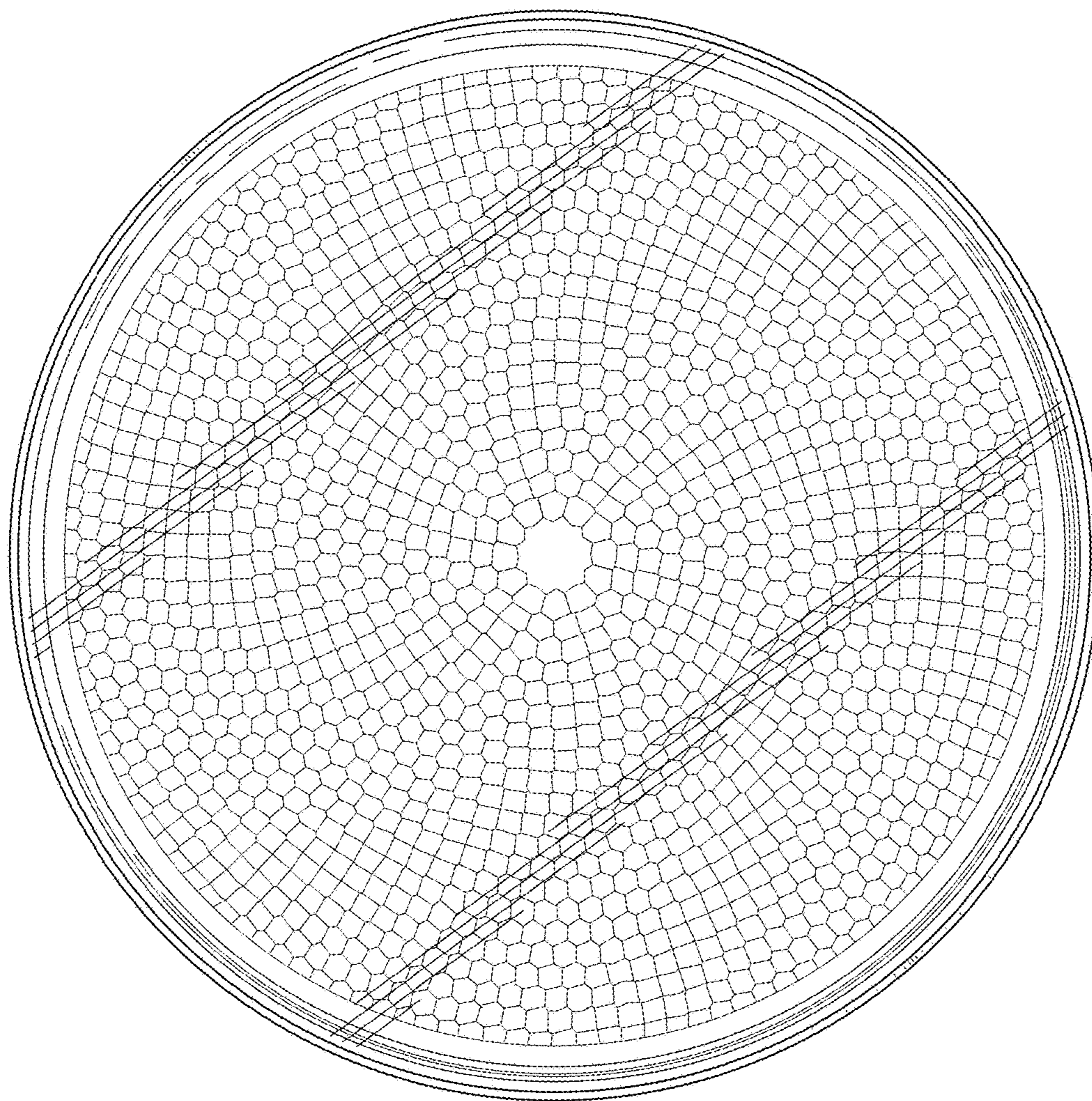


FIG. 3

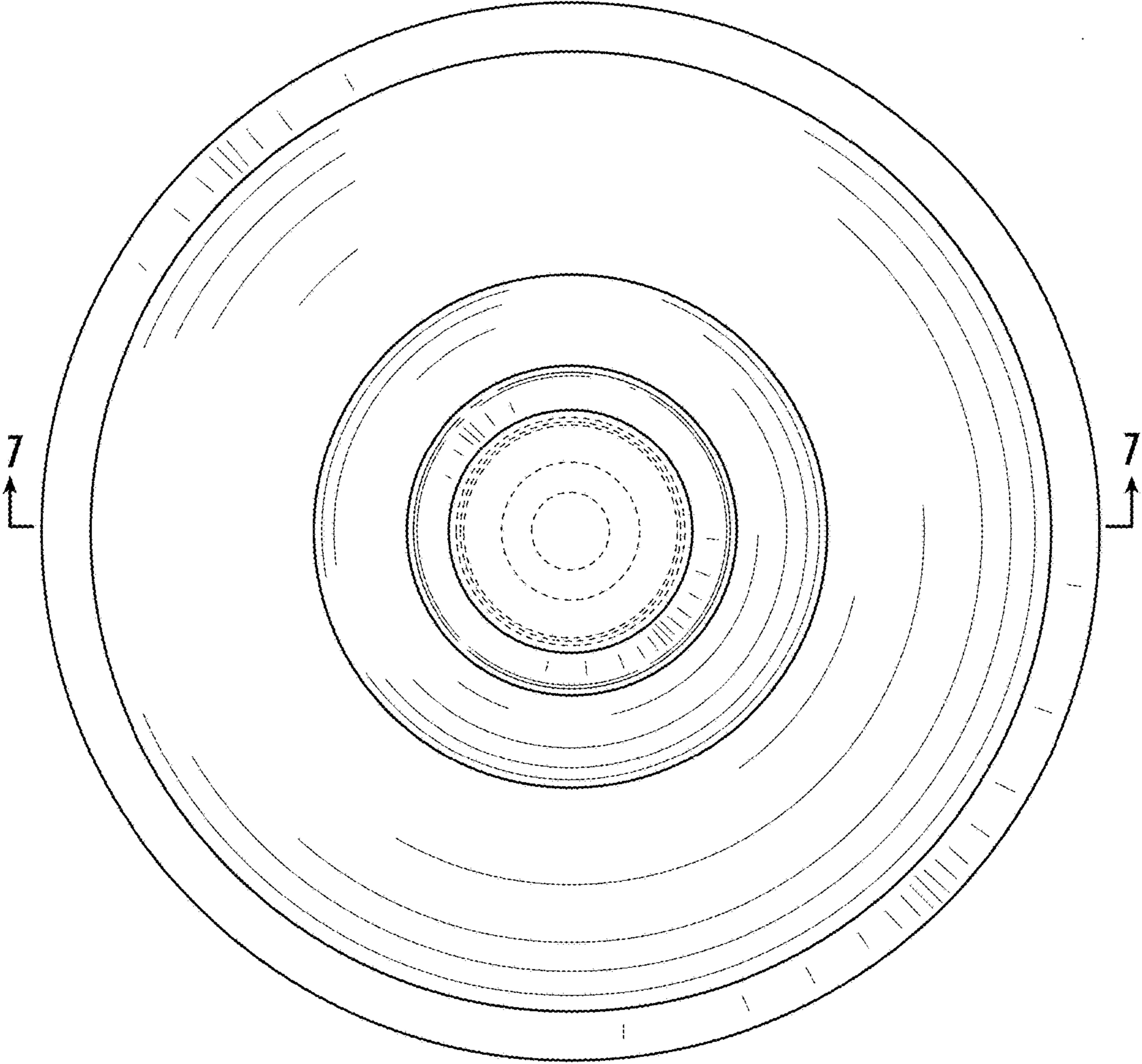


FIG. 4

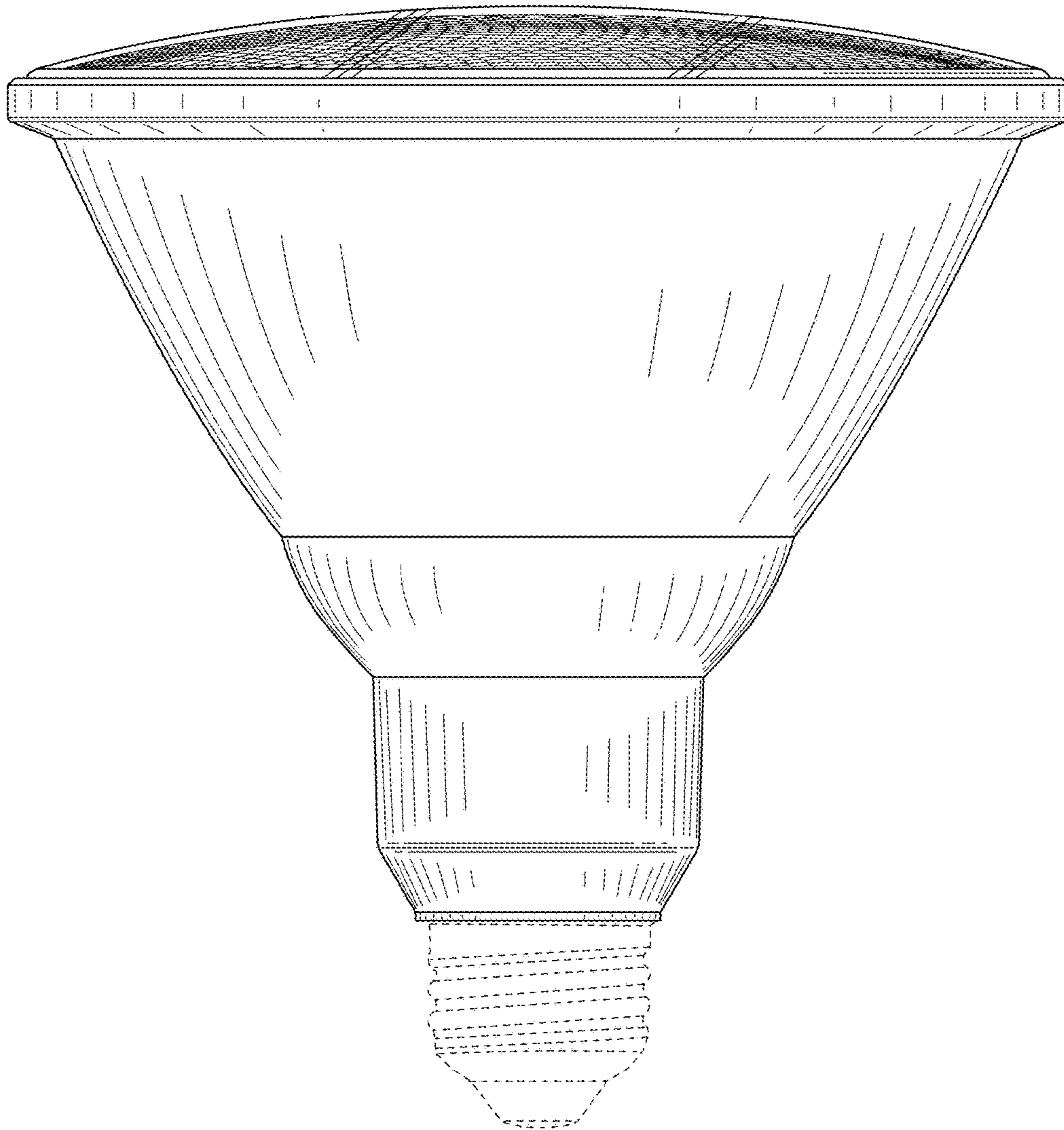


FIG. 5

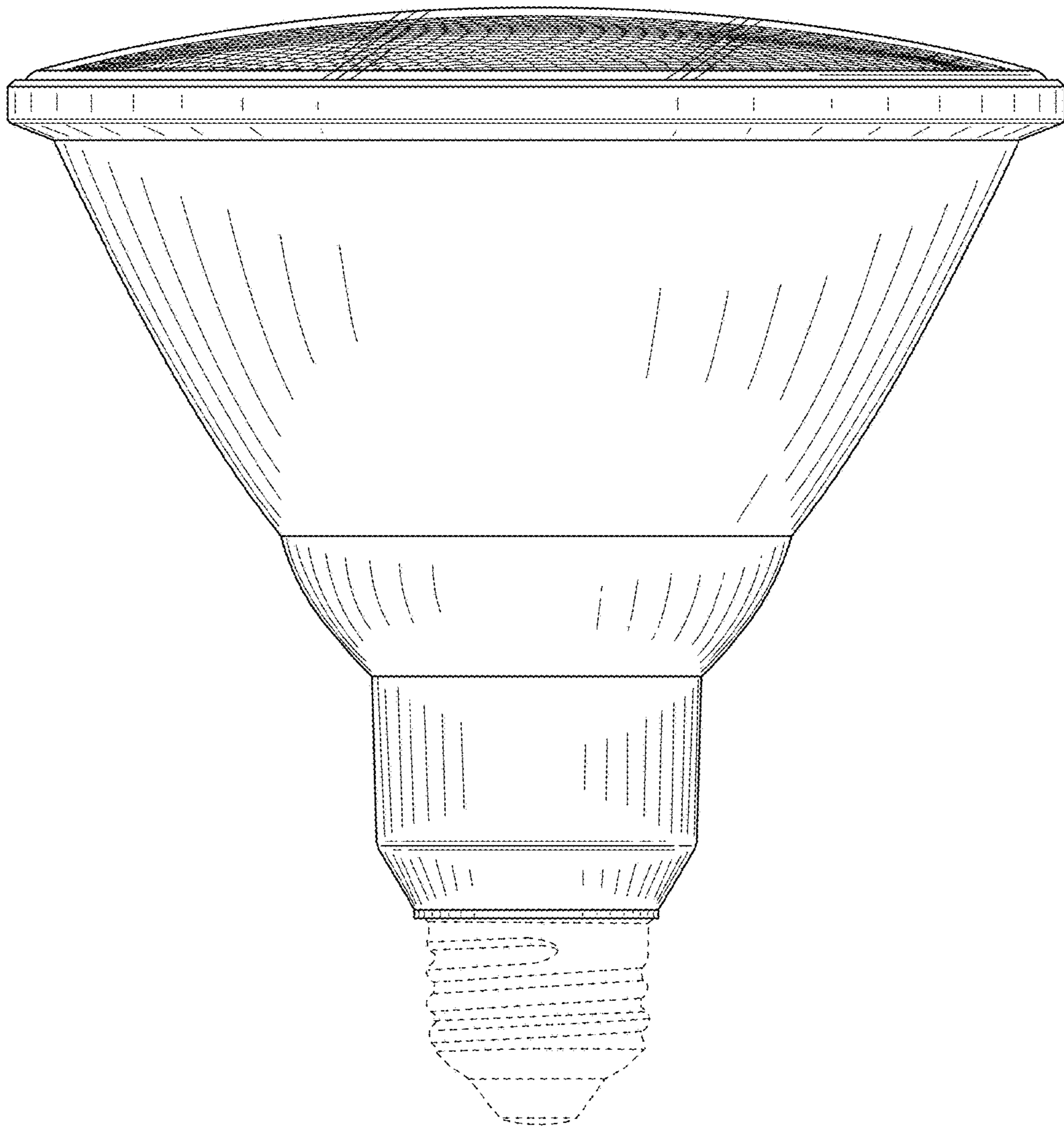


FIG. 6

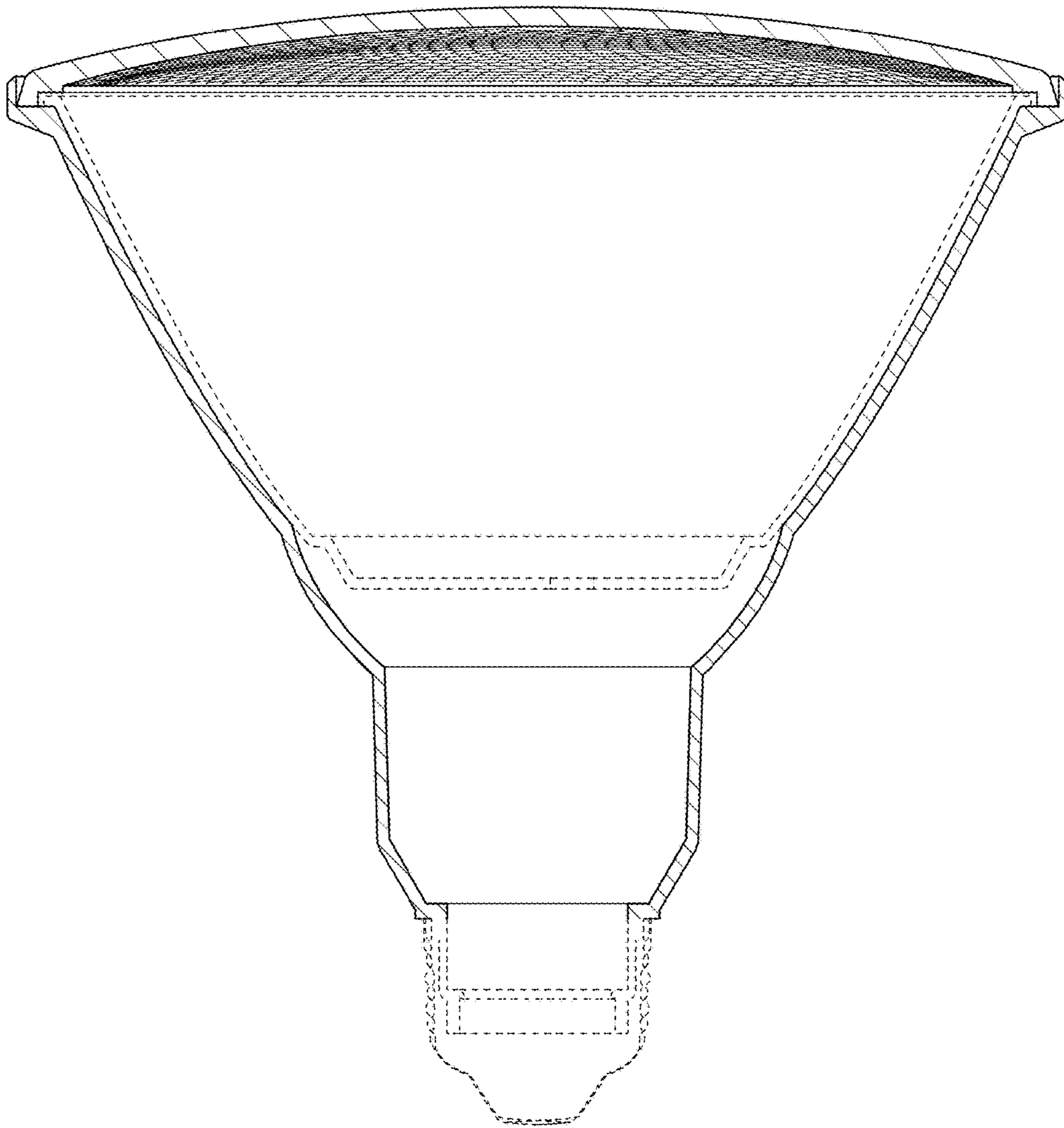


FIG. 7