



US00D801556S

(12) **United States Design Patent** (10) **Patent No.:** **US D801,556 S**
Yao (45) **Date of Patent:** **** Oct. 31, 2017**

(54) **PORTION OF A LED LIGHT BULB**

(56) **References Cited**

(71) Applicant: **JIAXING SUPER LIGHTING ELECTRIC APPLIANCE CO., LTD,**
Zhejiang (CN)

U.S. PATENT DOCUMENTS

D410,554 S *	6/1999	Guyton	D26/2
D422,099 S *	3/2000	Kracke	D26/2
D549,360 S *	8/2007	An	D26/2
D550,864 S *	9/2007	Hernandez, Jr.	D26/2
D689,215 S *	9/2013	Xue	D26/2

(72) Inventor: **Wen-Tao Yao,** Zhejiang (CN)

* cited by examiner

(73) Assignee: **JIAXING SUPER LIGHTING ELECTRIC APPLIANCE CO., LTD,**
Zhejiang (CN)

Primary Examiner — Marcus Jackson

(**) Term: **15 Years**

(74) *Attorney, Agent, or Firm* — Andrew M. Calderon;
Roberts Mlotkowski Safran Cole & Calderon, P.C.

(21) Appl. No.: **29/576,841**

(57) **CLAIM**

(22) Filed: **Sep. 7, 2016**

The ornamental design for a portion of a LED light bulb, as shown and described.

(30) **Foreign Application Priority Data**

DESCRIPTION

Mar. 8, 2016 (CN) 2016 3 0063553

(51) **LOC (10) Cl.** **26-04**

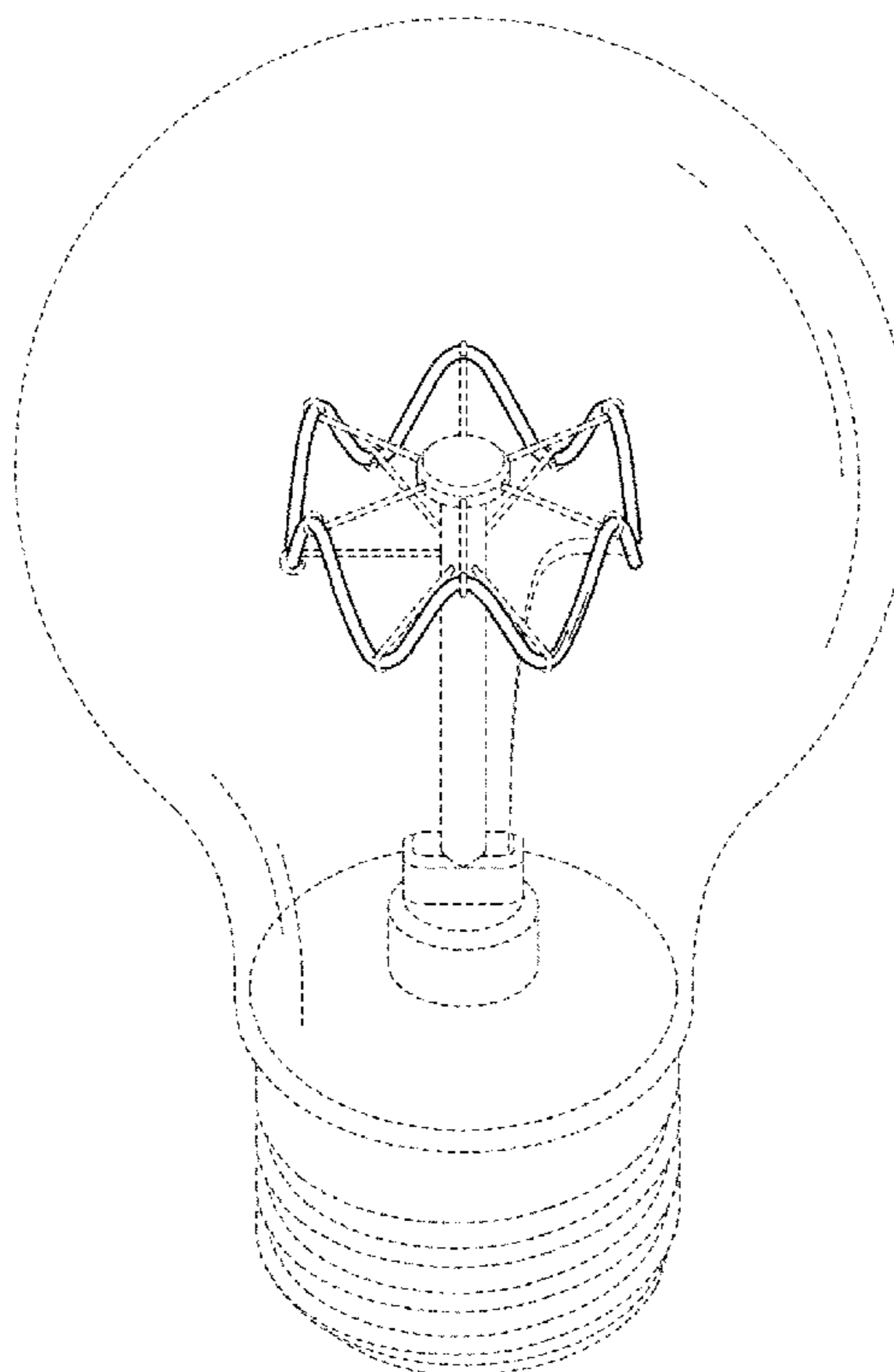
(52) **U.S. Cl.**
USPC **D26/2**

(58) **Field of Classification Search**
USPC D26/1-4; 313/313, 315, 316, 317, 318,
313/493; 315/52, 53, 56, 57, 58
CPC H01R 5/00; H01R 13/46; H01R 13/514;
H01R 31/048; H01R 31/02; H01J 5/00;
H01J 5/16; H01J 15/00; H01J 5/48; H01J
5/50; H01J 19/54; F21V 5/00

FIG. 1 is a perspective view of an portion of a LED light bulb showing my new design;
FIG. 2 is a front view of FIG. 1;
FIG. 3 is a rear view of FIG. 1;
FIG. 4 is a left side view of FIG. 1;
FIG. 5 is a right side view of FIG. 1;
FIG. 6 is a top view of FIG. 1; and,
FIG. 7 is a bottom view of FIG. 1.
The broken lines in the figures form no part of the claimed design.

See application file for complete search history.

1 Claim, 6 Drawing Sheets



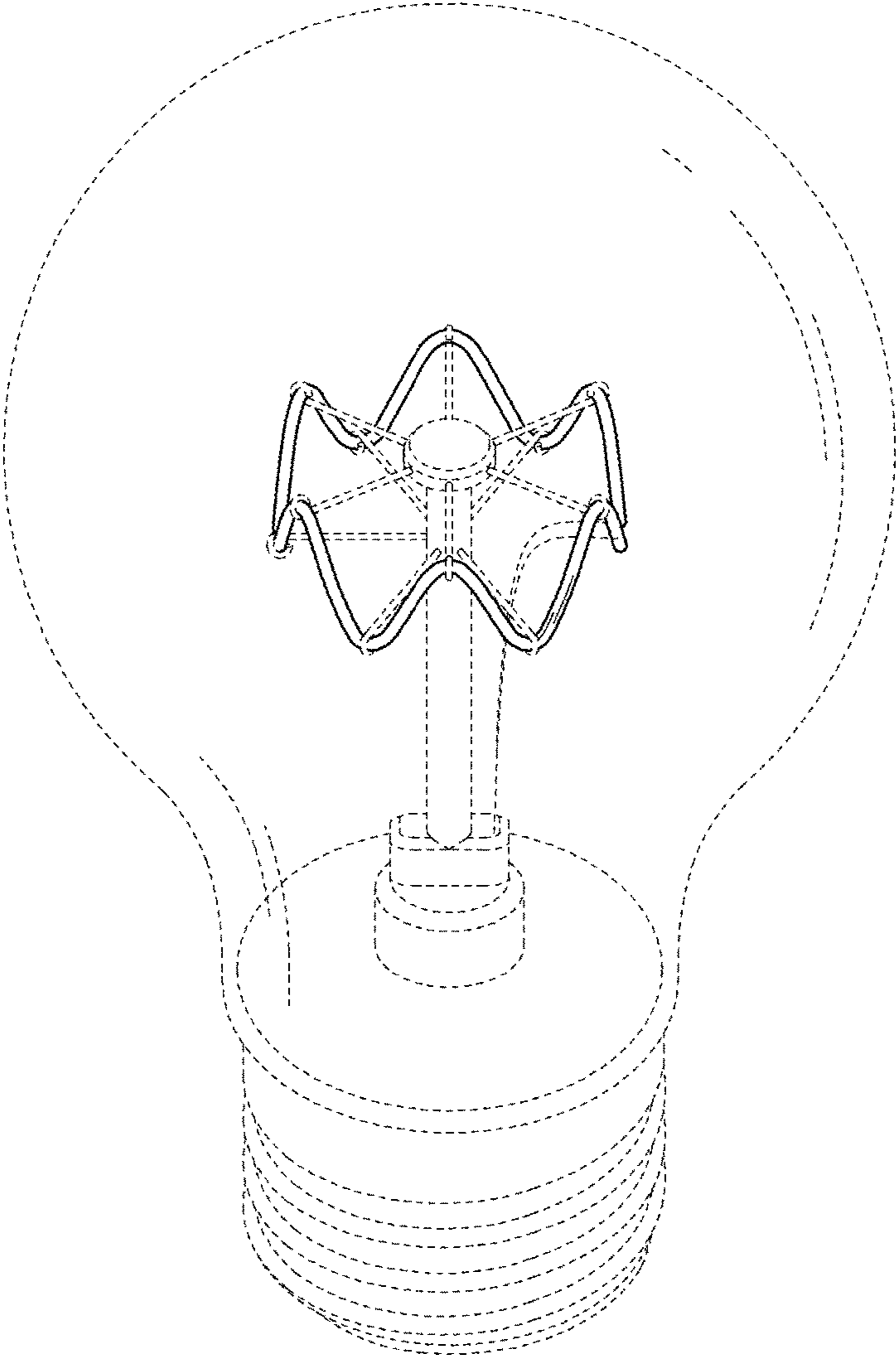


FIG. 1

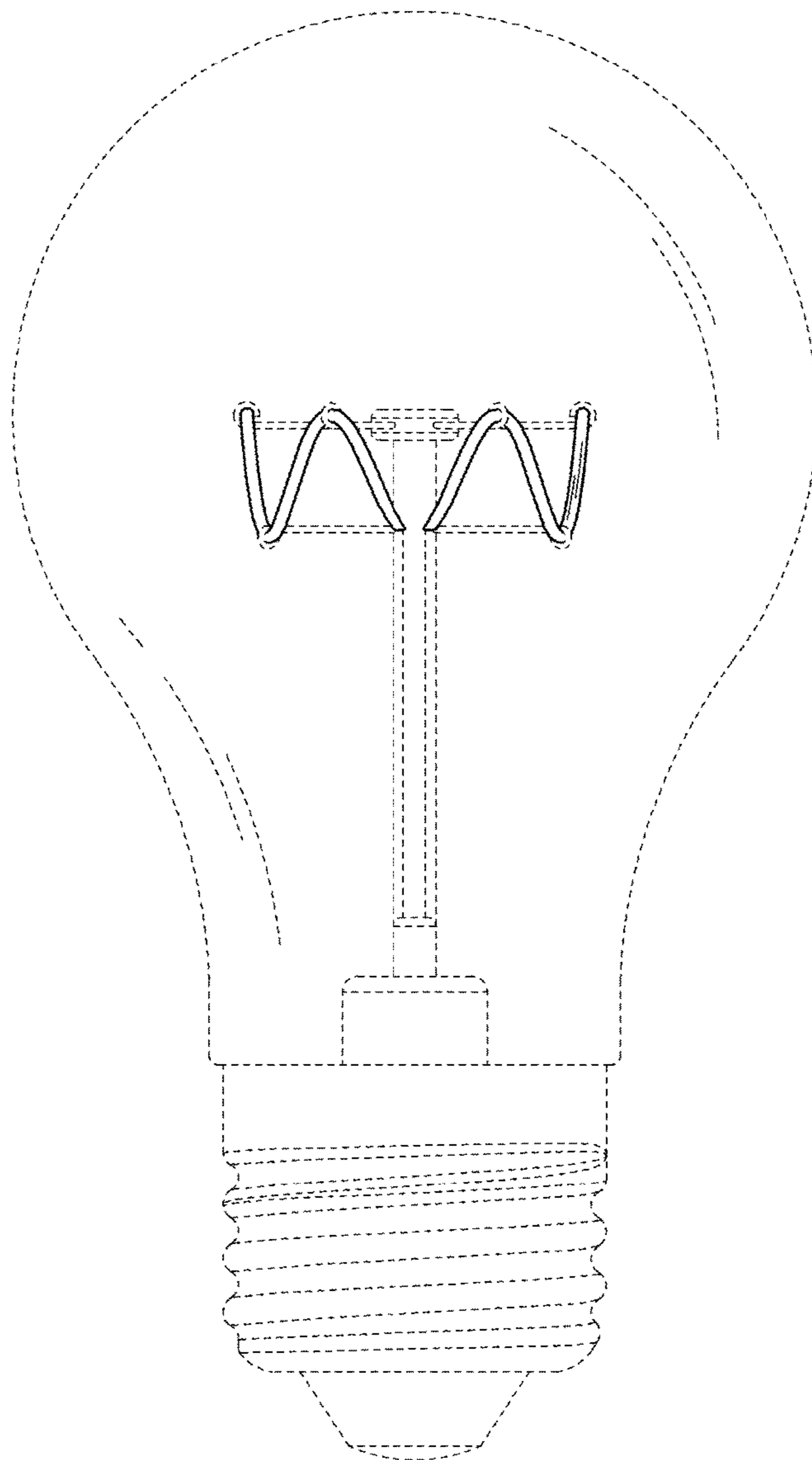


FIG. 2

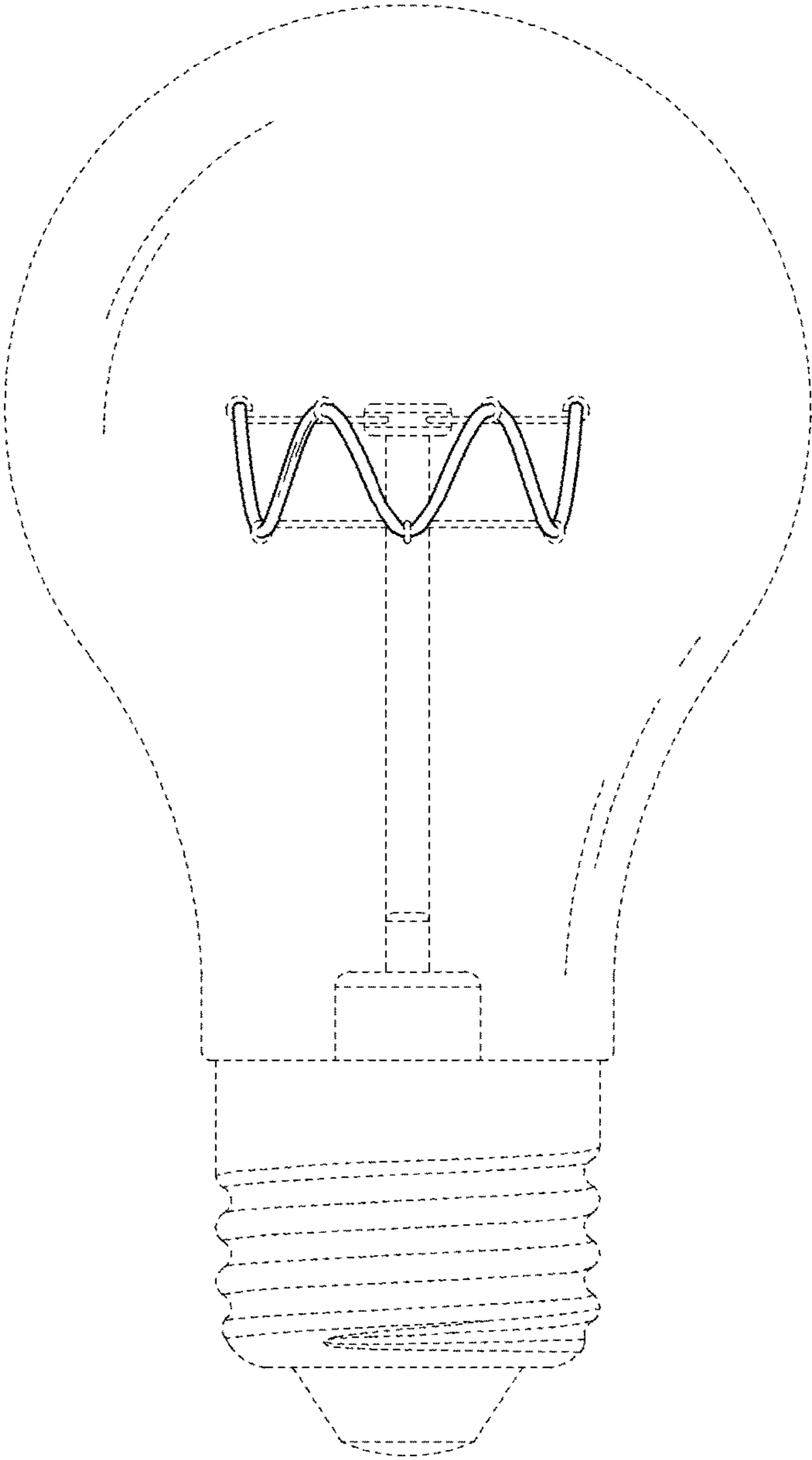


FIG.3

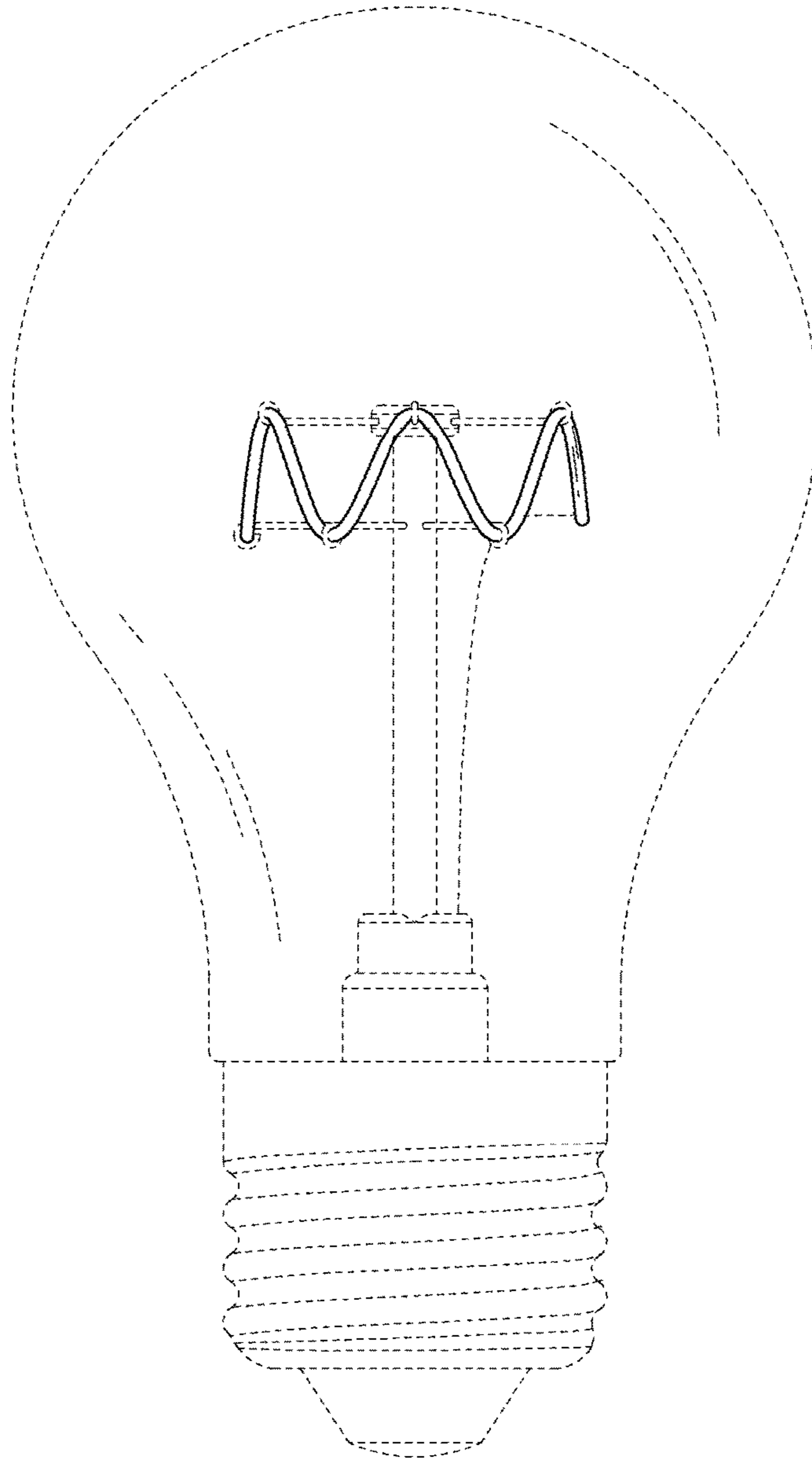


FIG. 4

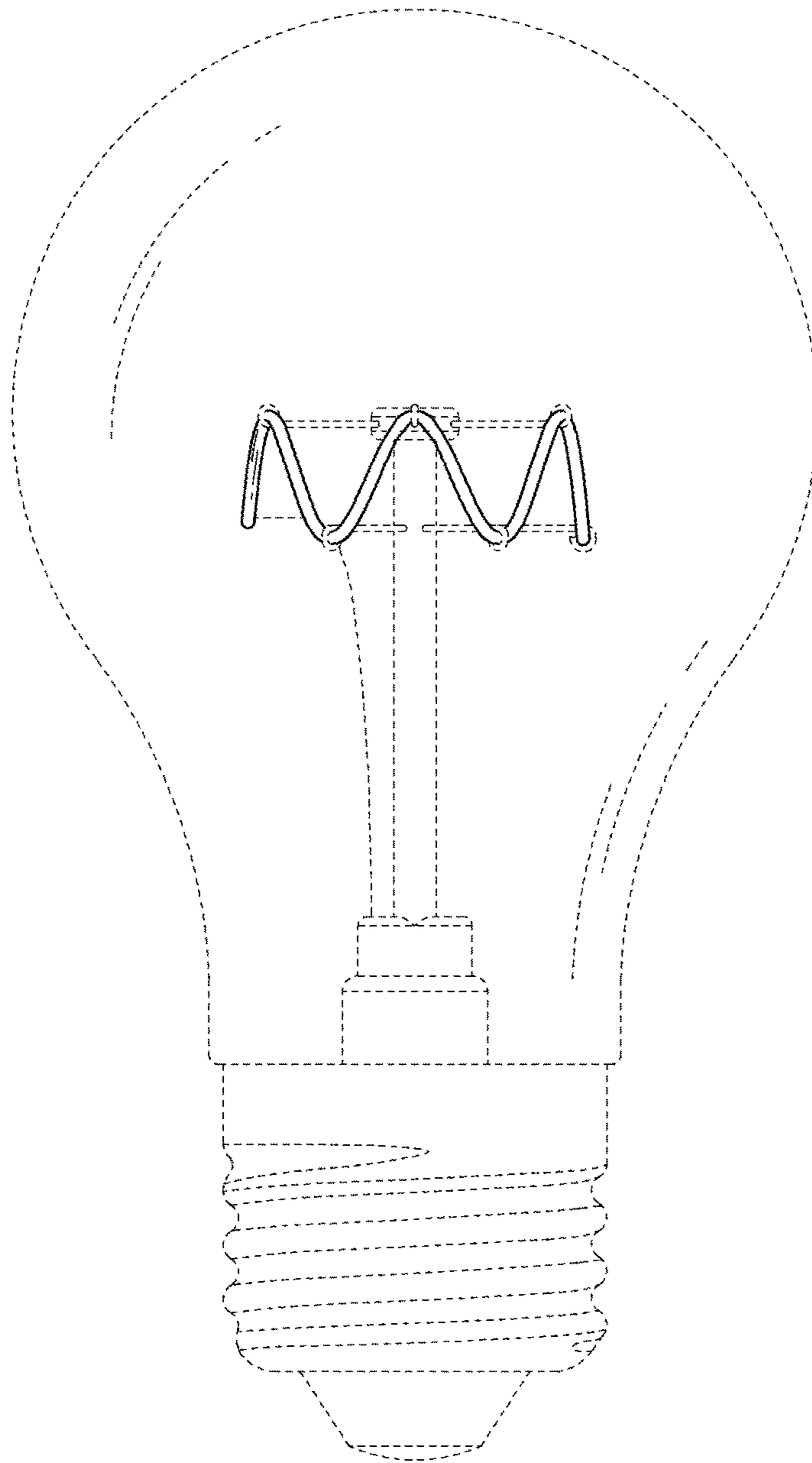


FIG.5

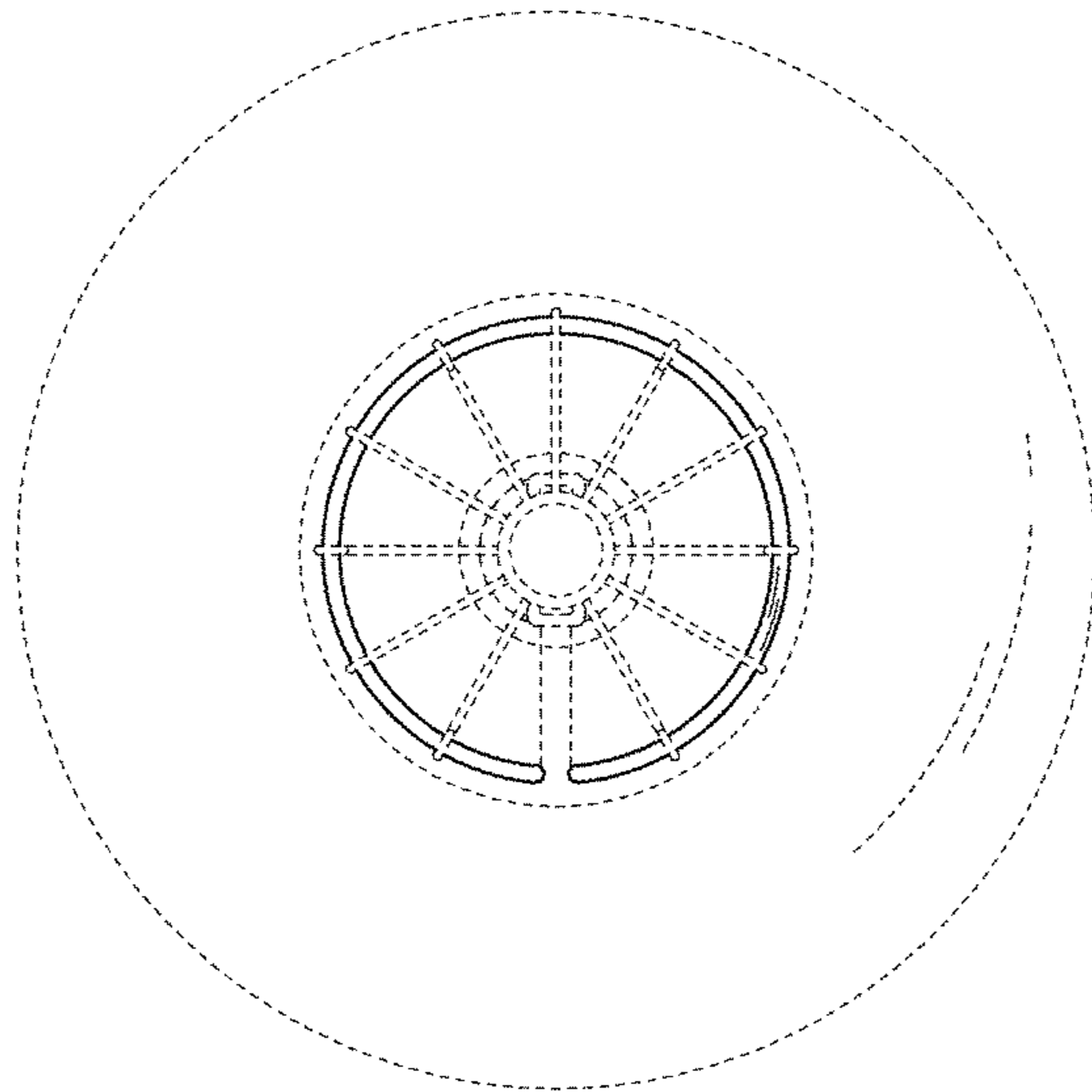


FIG. 6

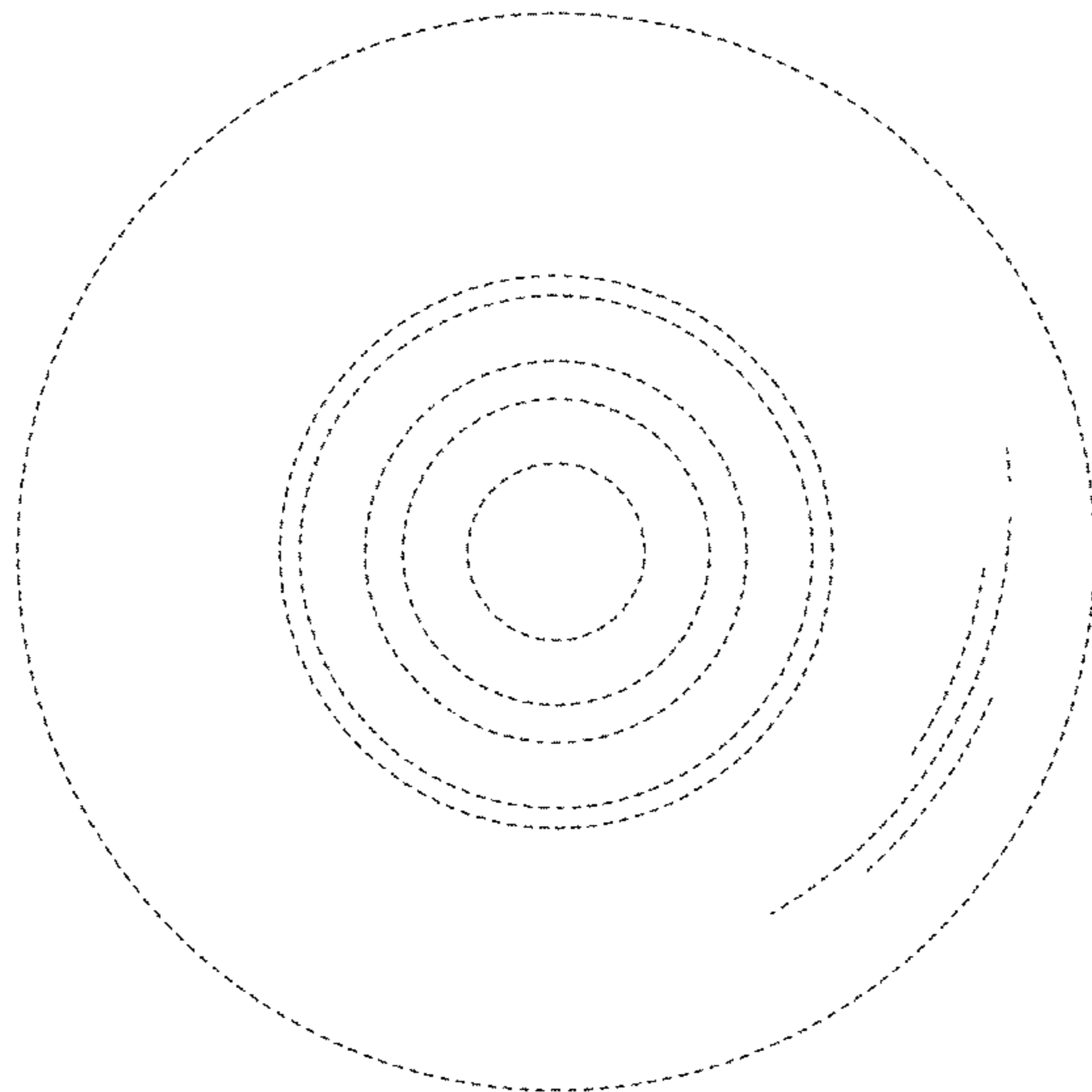


FIG. 7