



US00D801543S

(12) **United States Design Patent** (10) **Patent No.:** **US D801,543 S**
Ton (45) **Date of Patent:** **** Oct. 31, 2017**

(54) **DISPOSABLE LINER**

(71) Applicant: **Quy That Ton**, Baton Rouge, LA (US)

(72) Inventor: **Quy That Ton**, Baton Rouge, LA (US)

(**) Term: **14 Years**

(21) Appl. No.: **29/512,087**

(22) Filed: **Dec. 16, 2014**

(51) **LOC (10) Cl.** **23-02**

(52) **U.S. Cl.**
USPC **D24/213**

(58) **Field of Classification Search**
USPC D23/276, 277, 278, 284, 295, 296, 299,
D23/315; D24/201, 203, 204, 212, 213;
4/590, 622

CPC A45D 19/06; A45D 29/00; A47K 3/022;
A61H 2205/12; A61H 35/006

See application file for complete search history.

(56) **References Cited**

U.S. PATENT DOCUMENTS

| | | | | |
|--------------|------|---------|----------------|---------|
| 1,060,236 | A * | 4/1913 | Dodge | 4/622 |
| 6,438,768 | B1 * | 8/2002 | Yen | 4/622 |
| 6,772,800 | B1 * | 8/2004 | Garcia | 141/2 |
| D504,178 | S * | 4/2005 | Zolotnik | D24/213 |
| D603,522 | S * | 11/2009 | Elliott | D24/204 |
| D605,777 | S * | 12/2009 | Galati et al. | D24/204 |
| D622,858 | S * | 8/2010 | Jan | D24/204 |
| 2004/0003460 | A1 * | 1/2004 | Zolotnik | 4/622 |
| 2004/0199994 | A1 * | 10/2004 | Sherif et al. | 4/622 |
| 2009/0094739 | A1 * | 4/2009 | Vinokur et al. | 4/622 |
| 2009/0271922 | A1 * | 11/2009 | Ton | 4/655 |
| 2010/0324611 | A1 * | 12/2010 | Deming et al. | 607/2 |

FOREIGN PATENT DOCUMENTS

| | | | |
|----|---------------|---|--------|
| CN | 301531803 | * | 4/2011 |
| EM | 00281142-0002 | * | 4/2005 |

OTHER PUBLICATIONS

Belava Start-up Kit, posted at Belava.com, posting date Jan. 30, 2010, © 2003-2009 Belava.com, [online], [site visited Nov. 3, 2015]. Available from Internet, <URL: https://web.archive.org/web/20100130143629/http://www.belava.com/p-11-belava-start-up-kit.aspx>.*

Footsie Bath Bath Liners 100 Pack, posted at Amazon.com, posting date Apr. 21, 2012, © 1996-2015 Amazon.com, [online], [site visited Nov. 12, 2015]. Available from Internet, <URL: http://www.amazon.com/Footsie-Bath-Liners-100-Pack/dp/B004OZ6T5M/>.*

* cited by examiner

Primary Examiner — Susan E Krakower

Assistant Examiner — L. A. Grabenstetter

(74) *Attorney, Agent, or Firm* — Next ip Law Group LLC; Minh N. Nguyen

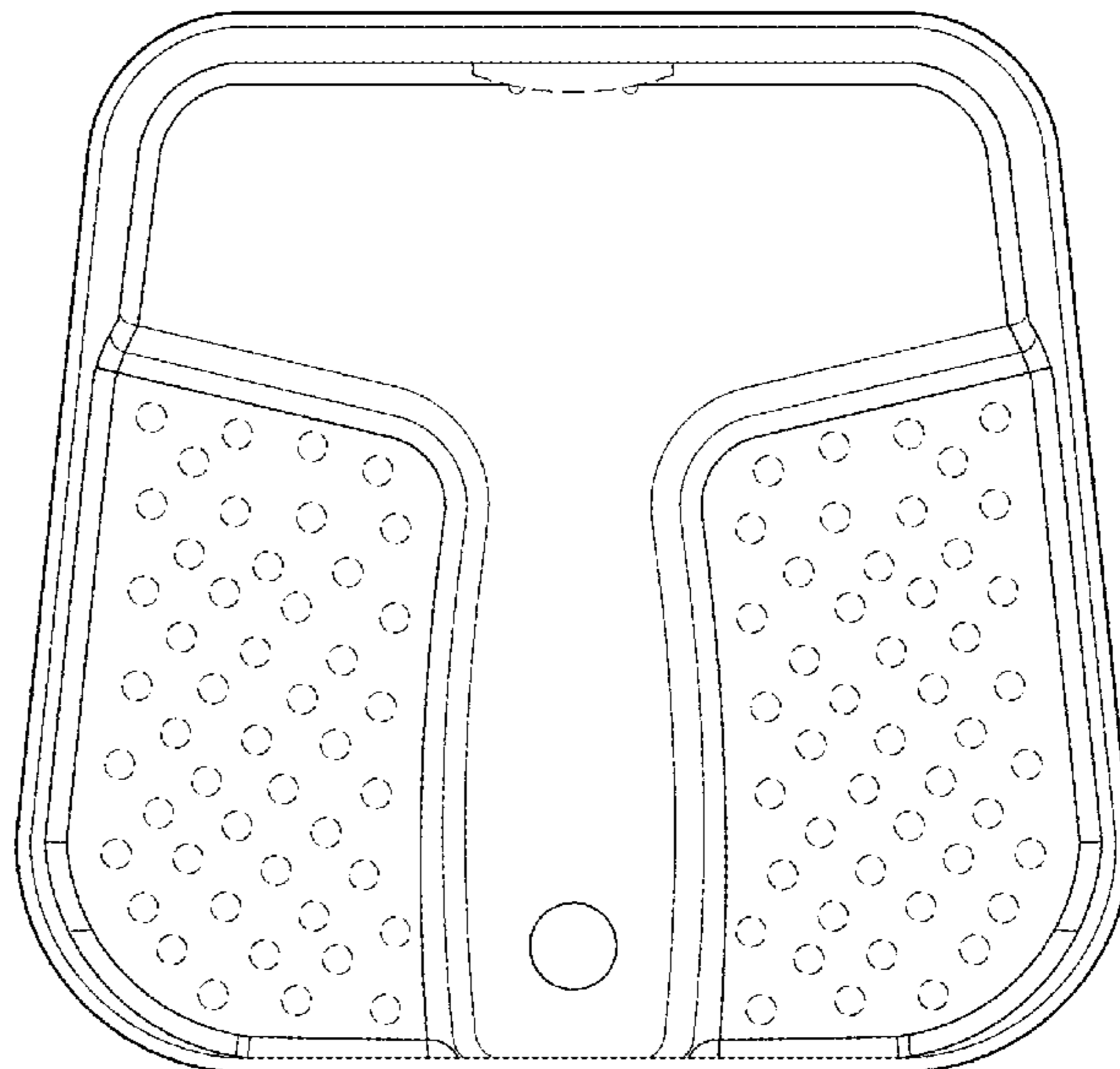
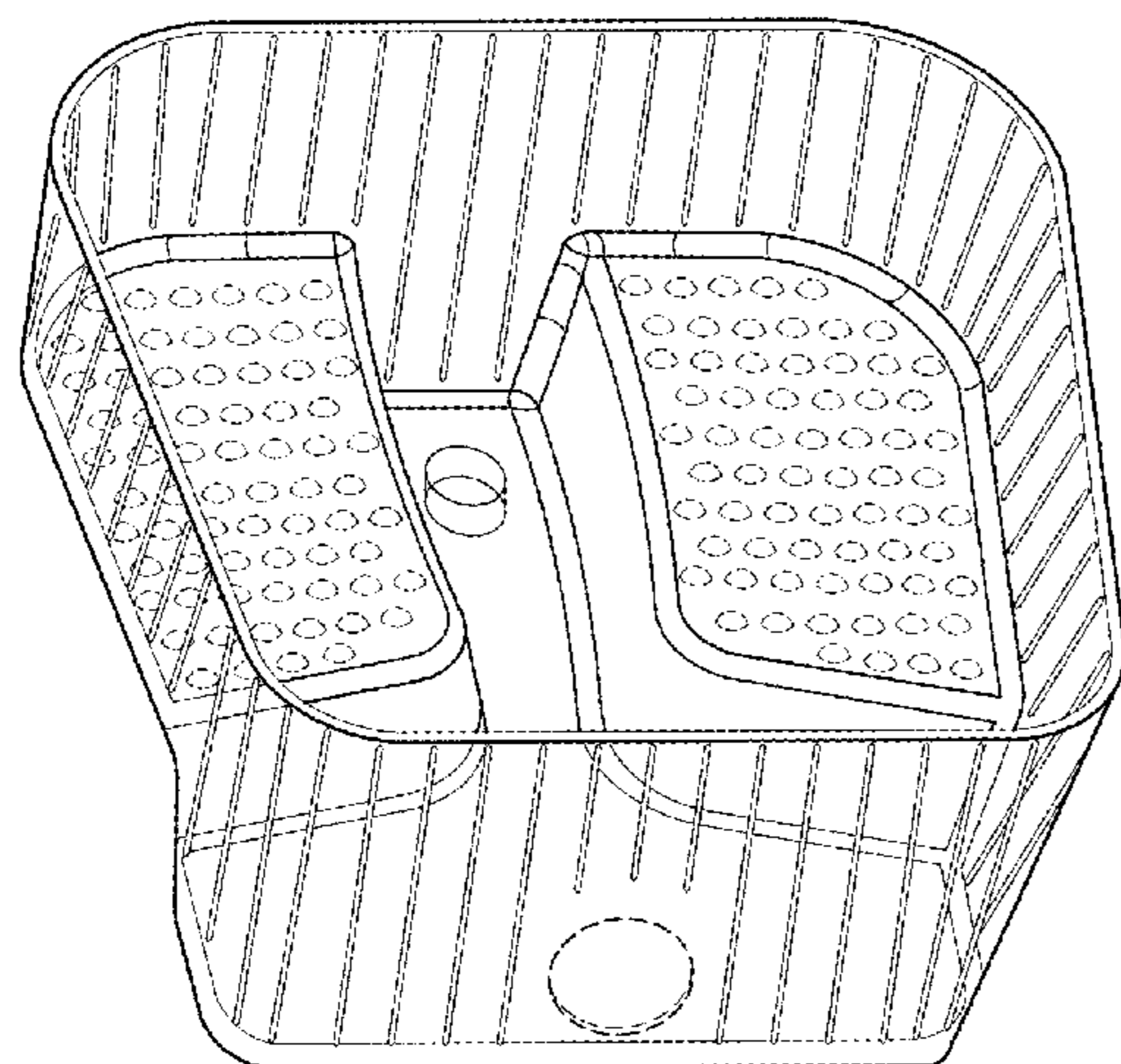
(57) **CLAIM**

The ornamental design for a disposable liner, as shown and described.

DESCRIPTION

FIG. 1 is a front, right, and top perspective view of a disposable liner, showing my new design; FIG. 2 is a front plan elevation view thereof; FIG. 3 is a top plane elevation view thereof; FIG. 4 is a rear elevation view thereof; and, FIG. 5 is a right side elevation view thereof and the left side elevation view being a mirror image thereof. The broken line portions of FIGS. 1-4 show unclaimed subject matter only and form no part of the claimed design.

1 Claim, 3 Drawing Sheets



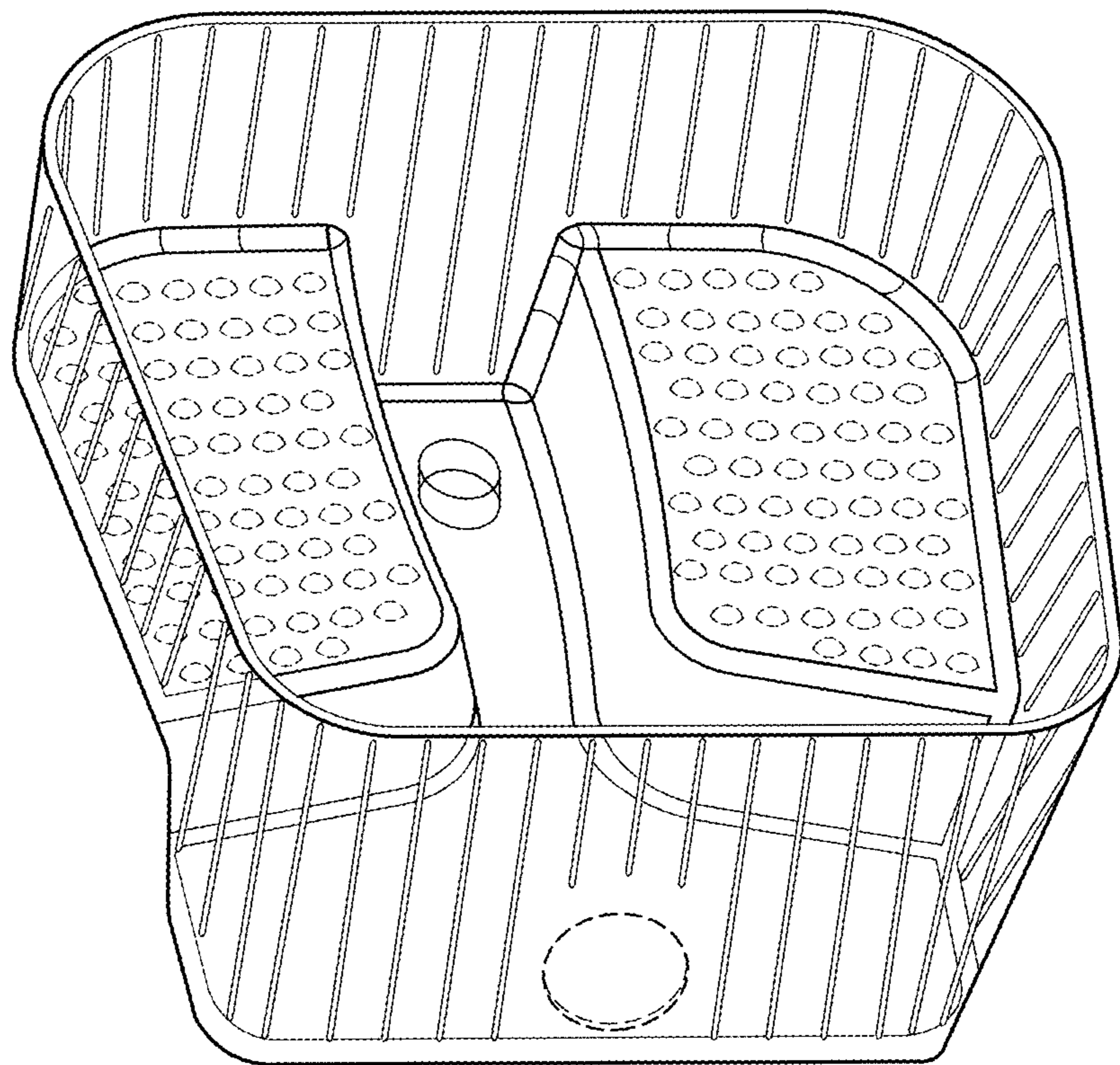


FIG. 1

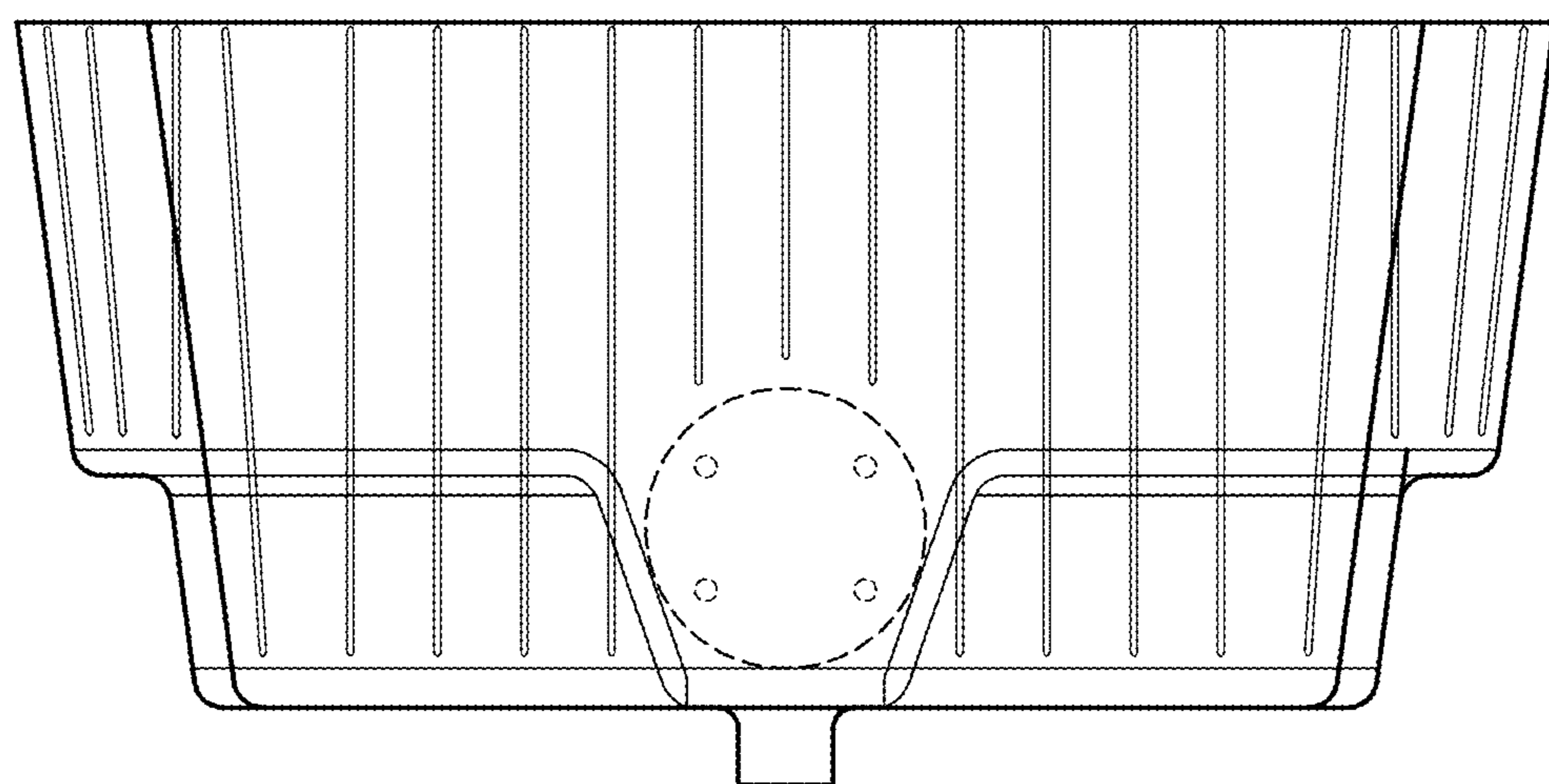


FIG. 2

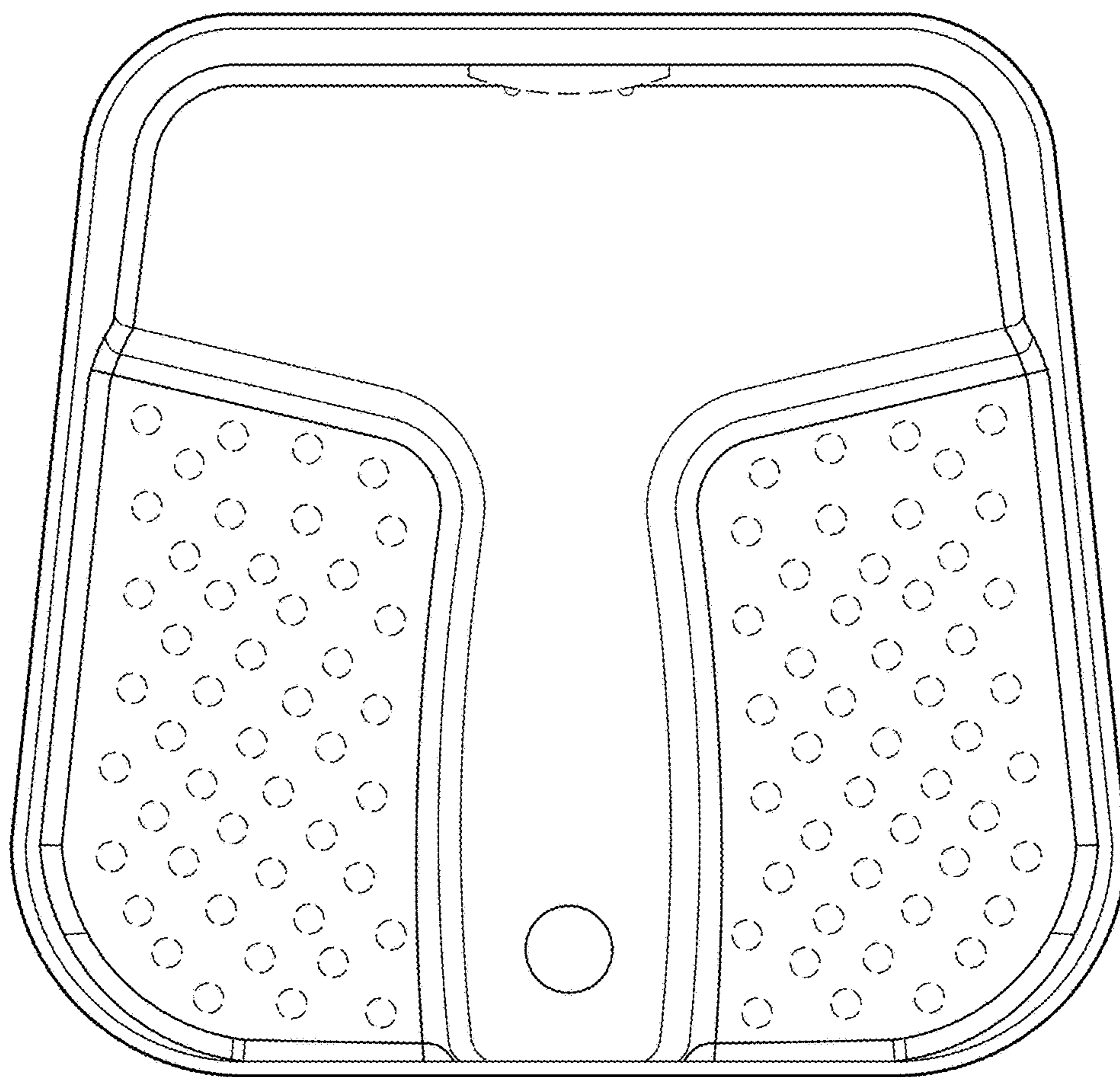


FIG. 3

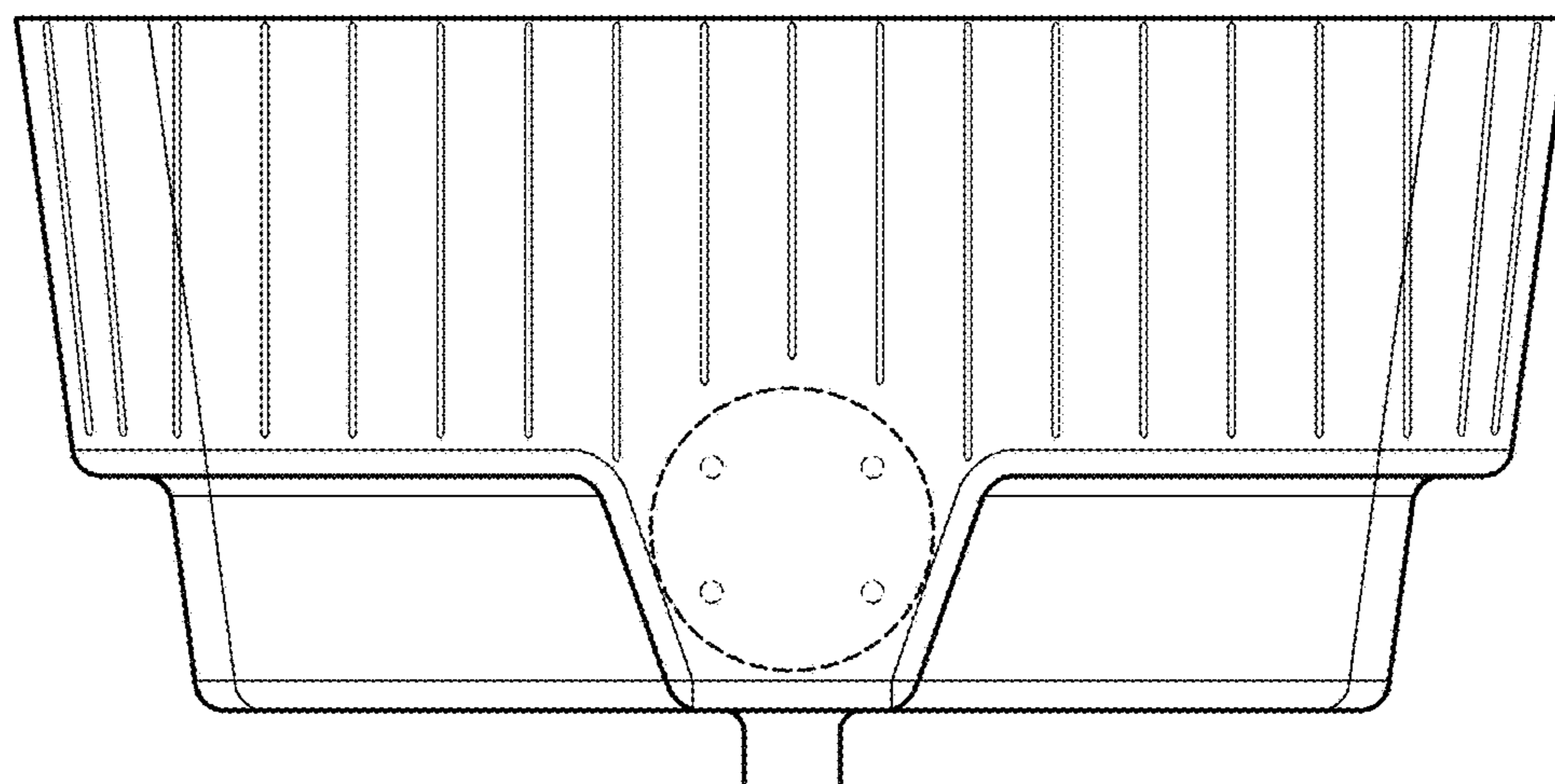


FIG. 4

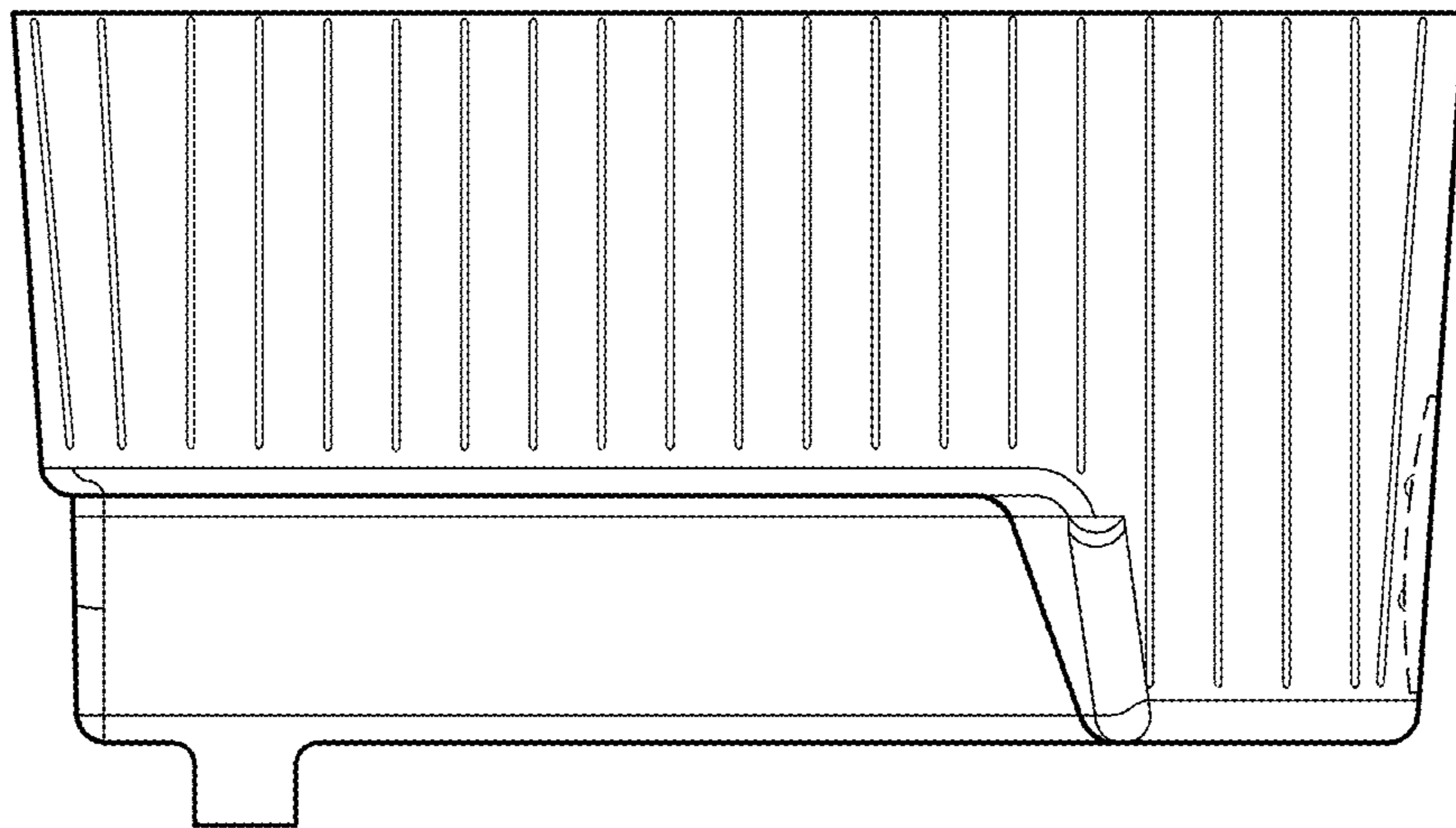


FIG. 5