



US00D801537S

(12) **United States Design Patent**
Gibson

(10) **Patent No.:** **US D801,537 S**

(45) **Date of Patent:** **** Oct. 31, 2017**

(54) **SUPPORT TABLE**

(71) Applicant: **Larry Ralph Gibson**, Easley, SC (US)

(72) Inventor: **Larry Ralph Gibson**, Easley, SC (US)

(**) Term: **15 Years**

(21) Appl. No.: **29/583,387**

(22) Filed: **Nov. 4, 2016**

(51) **LOC (10) Cl.** **24-01**

(52) **U.S. Cl.**
USPC **D24/183**

(58) **Field of Classification Search**
USPC D24/183, 184; D6/368; D21/690;
5/414, 602, 613, 619, 624, 632, 648, 650,
5/652, 657; 128/845, 846; 297/245, 247,
297/270.05, 325, 330, 423.1; 600/38;
602/16; 607/98
CPC A47C 15/008; A47C 16/02; A47C 3/0255;
A47C 3/029; A47C 3/0257; A61G 13/00;
A61G 13/0009; A61G 13/12; A61G
15/02; A61G 15/005; A61G 15/008;
A61G 5/12; A61G 7/0755; A61H 1/0292;
A61H 19/34; A61H 19/44; A61H 19/50;
A63B 23/0417

See application file for complete search history.

2,978,713 A * 4/1961 Scalzitti A61G 13/12
128/845

D191,690 S * 10/1961 Ryan 482/142

3,318,596 A * 5/1967 Herzog A61G 13/0009
5/602

3,717,144 A * 2/1973 Bimler A63B 23/0417
602/16

3,817,512 A * 6/1974 Torrey A61G 13/12
5/632

3,837,635 A * 9/1974 Long A61G 15/02
297/330

4,099,773 A * 7/1978 Chang A47C 3/029
297/247

4,221,370 A * 9/1980 Redwine A61G 15/005
5/602

D304,614 S * 11/1989 Guttormsen D24/183

4,938,464 A * 7/1990 Akiko A61G 15/005
5/602

D322,855 S * 12/1991 Tabuchi D24/183

D345,797 S * 4/1994 Gardner 5/648

(Continued)

Primary Examiner — Ian Simmons
Assistant Examiner — Mark Cavanna
(74) *Attorney, Agent, or Firm* — Dority & Manning, P.A.

(57) **CLAIM**

The ornamental design for a support table, as shown and described.

DESCRIPTION

FIG. 1 is a perspective view of a support table showing my new design;
FIG. 2 is a top view thereof;
FIG. 3 is a bottom view thereof;
FIG. 4 is a right side view thereof;
FIG. 5 is a left side view thereof;
FIG. 6 is a front view thereof; and,
FIG. 7 is a back view thereof.
The broken lines are included for the purpose of illustrating portions of the support table that forms no part of the claimed design.

1 Claim, 7 Drawing Sheets

(56) **References Cited**
U.S. PATENT DOCUMENTS

D96,758 S * 9/1935 Kalter D24/183

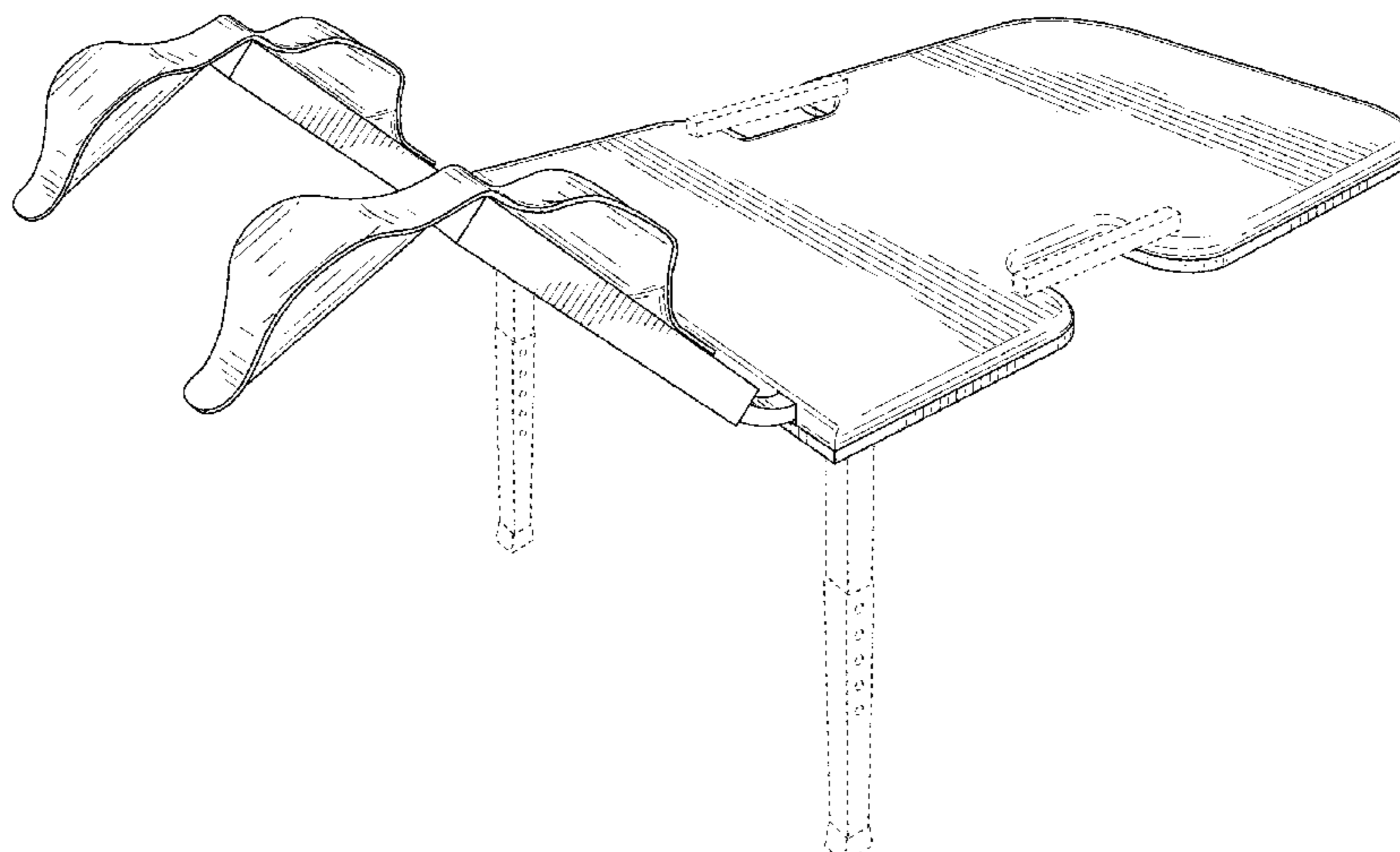
D96,759 S * 9/1935 Kalter D24/183

2,057,992 A * 10/1936 Wiruth A61G 7/0755
5/624

2,104,830 A * 1/1938 Collard A61G 15/005
297/325

2,306,031 A * 12/1942 Anderson A61G 13/0009
5/624

2,609,864 A * 9/1952 Gates, Jr. A61G 5/12
297/423.19



(56)

References Cited

U.S. PATENT DOCUMENTS

D353,460 S * 12/1994 Reynolds 5/602
 5,385,154 A * 1/1995 Fuhrman A47C 3/0257
 128/845
 5,389,062 A * 2/1995 Mitchum, Jr. A47C 15/008
 600/38
 D359,804 S * 6/1995 Carter D24/183
 5,443,532 A * 8/1995 Hudak A47C 15/008
 5/624
 5,453,080 A 9/1995 Mitchum, Jr.
 5,538,011 A * 7/1996 Craft A47C 15/008
 128/845
 D378,613 S * 3/1997 Sundstrom D24/183
 5,718,722 A * 2/1998 Kiefer A61H 1/0292
 607/98
 5,875,779 A * 3/1999 Fuhrman A47C 15/008
 128/845
 5,933,887 A * 8/1999 Strange A61G 13/12
 128/845
 6,101,652 A * 8/2000 Matern, Jr. A47C 15/008
 5/648
 6,135,552 A * 10/2000 Waguri A47C 15/008
 128/845
 6,199,552 B1 3/2001 Crespo
 D456,905 S * 5/2002 Riley D24/183
 D463,563 S * 9/2002 Schoenig D24/183
 6,689,029 B2 * 2/2004 Wakeman A47C 15/008
 128/845
 6,698,431 B1 * 3/2004 Harris A47C 15/008
 128/845

6,745,774 B2 * 6/2004 Fessler A47C 15/008
 128/845
 D499,259 S * 12/2004 Bjurman D6/368
 6,874,184 B2 * 4/2005 Chandler A47C 16/02
 128/845
 7,127,756 B2 * 10/2006 Brophy A61G 13/0009
 5/602
 7,524,283 B1 * 4/2009 Johnstone, II A61H 19/44
 128/845
 7,536,734 B2 * 5/2009 Heimbrock A61G 7/0755
 5/602
 7,581,266 B2 * 9/2009 Krecow A61G 13/0009
 5/602
 D604,420 S * 11/2009 Riley D24/183
 7,657,953 B2 * 2/2010 Reckelhoff A61G 13/0009
 5/602
 D615,207 S * 5/2010 Bochner D24/183
 D635,265 S * 3/2011 Coffey D24/183
 D655,418 S * 3/2012 Hancock D24/183
 8,448,274 B2 * 5/2013 Broens A61G 13/12
 5/624
 D787,681 S * 5/2017 Montgomery D24/184
 2003/0075958 A1 * 4/2003 Yogore A47C 3/0255
 297/245
 2003/0126686 A1 * 7/2003 Nash A47C 15/008
 5/657
 2006/0081756 A1 4/2006 Hallett
 2012/0006334 A1 * 1/2012 Cayabyab A47C 15/008
 128/845
 2017/0188714 A1 * 7/2017 Kaczmarek A47C 15/008

* cited by examiner

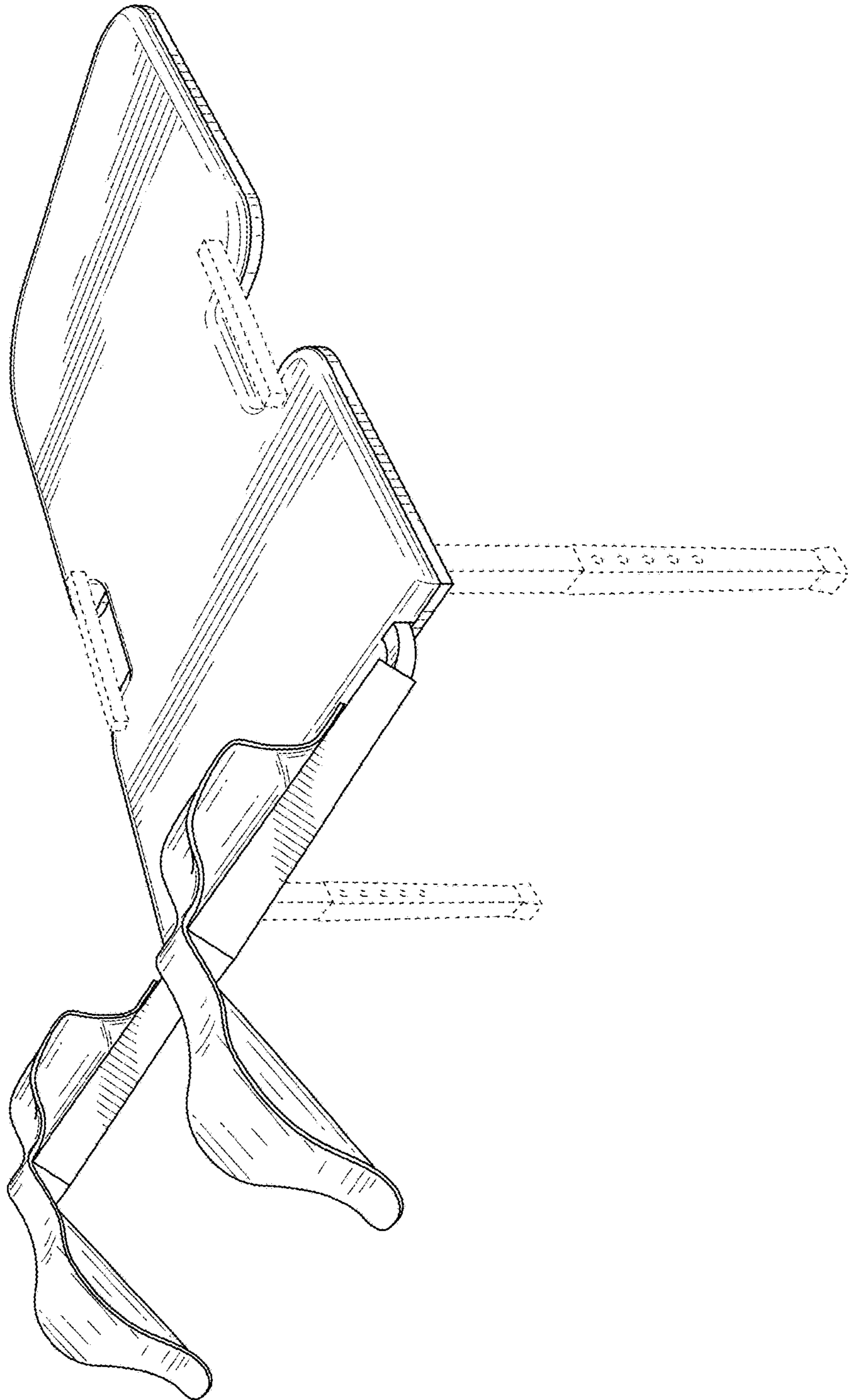


FIG. 1

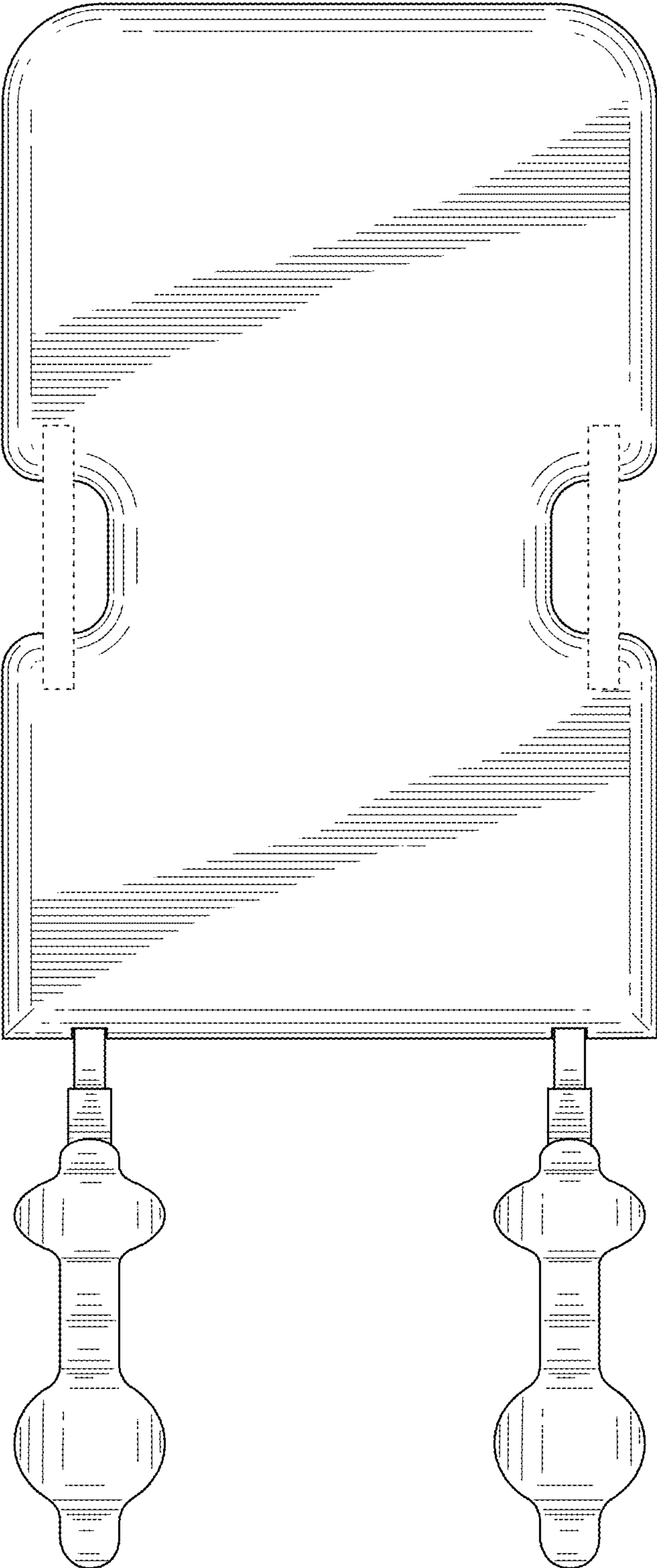


FIG. 2

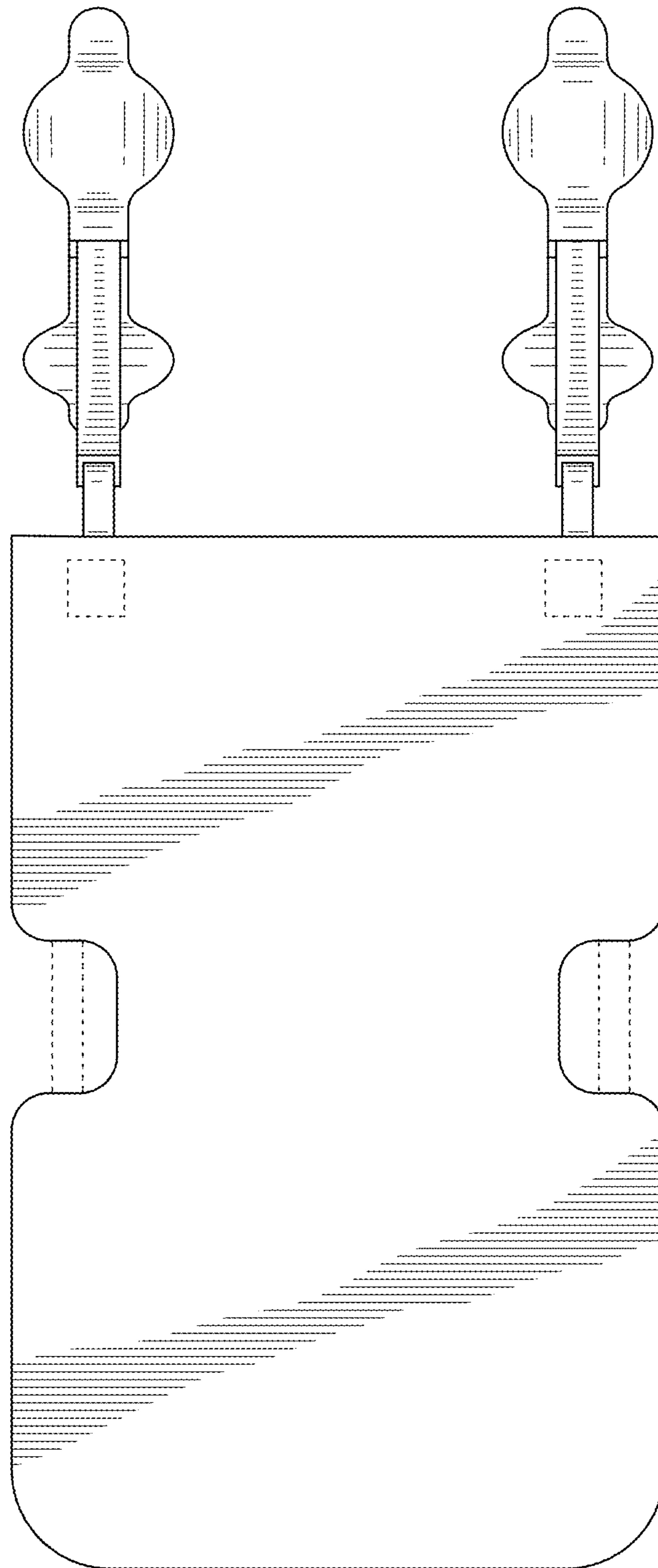


FIG. 3

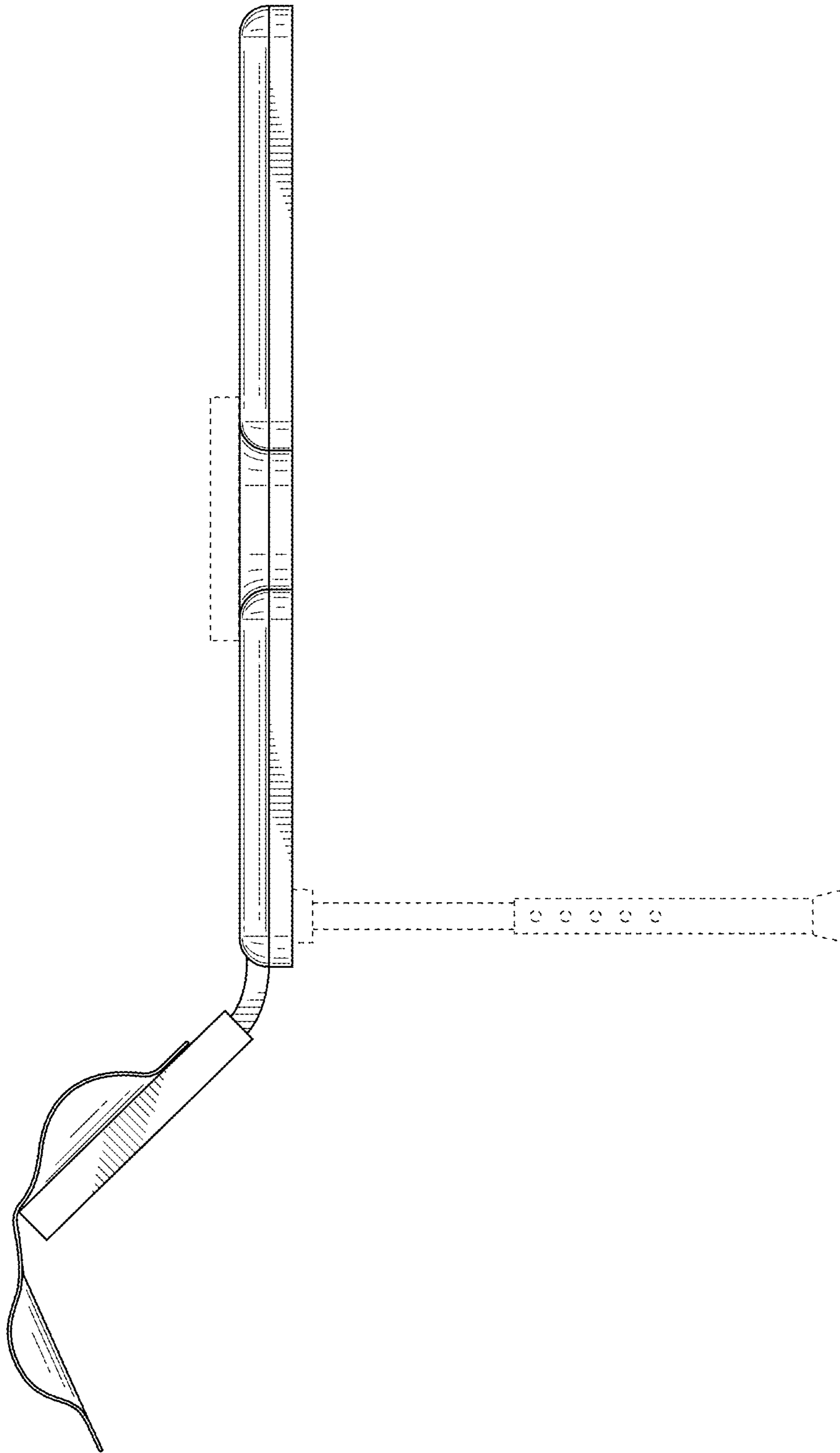


FIG. 4

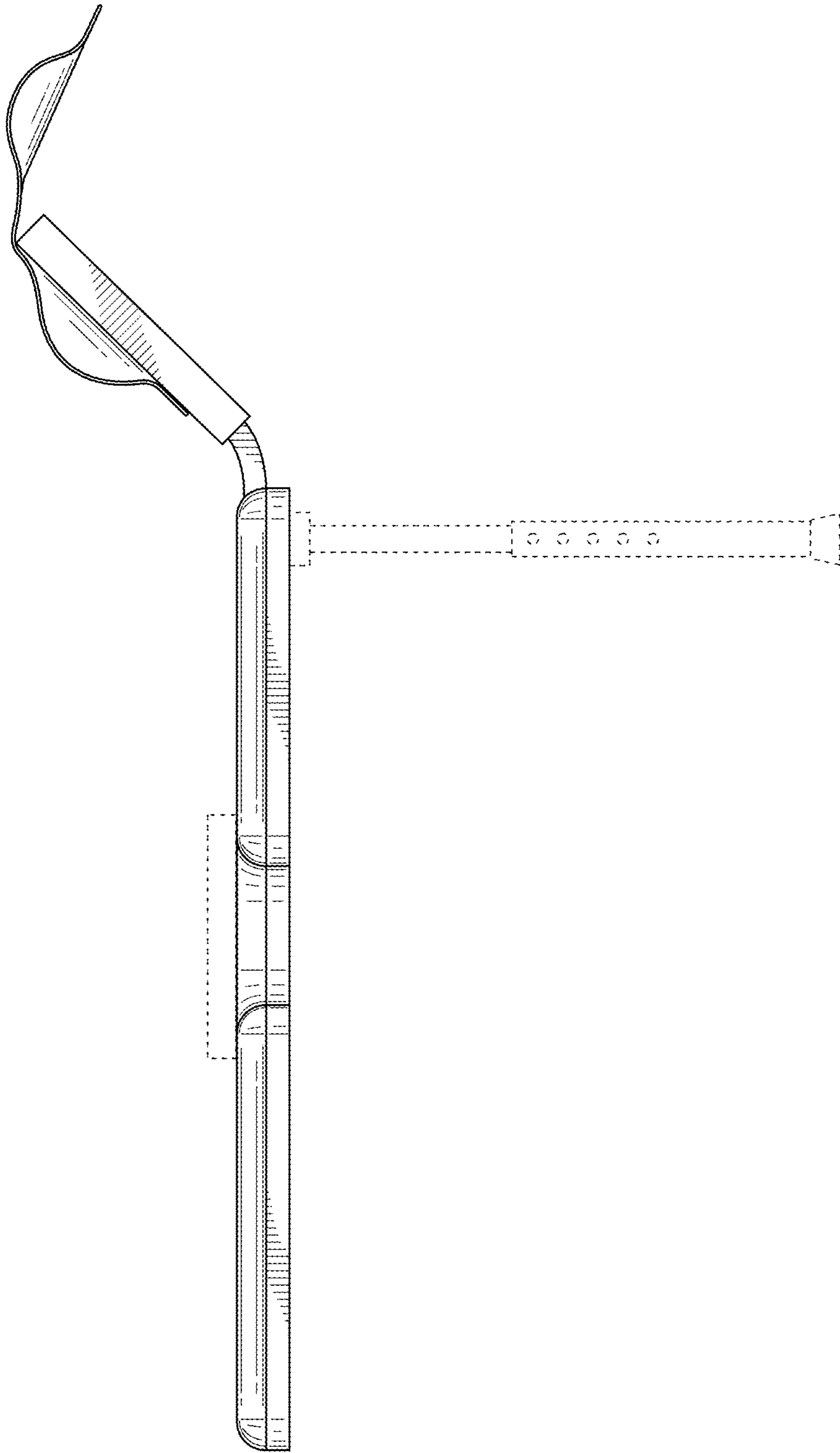


FIG. 5

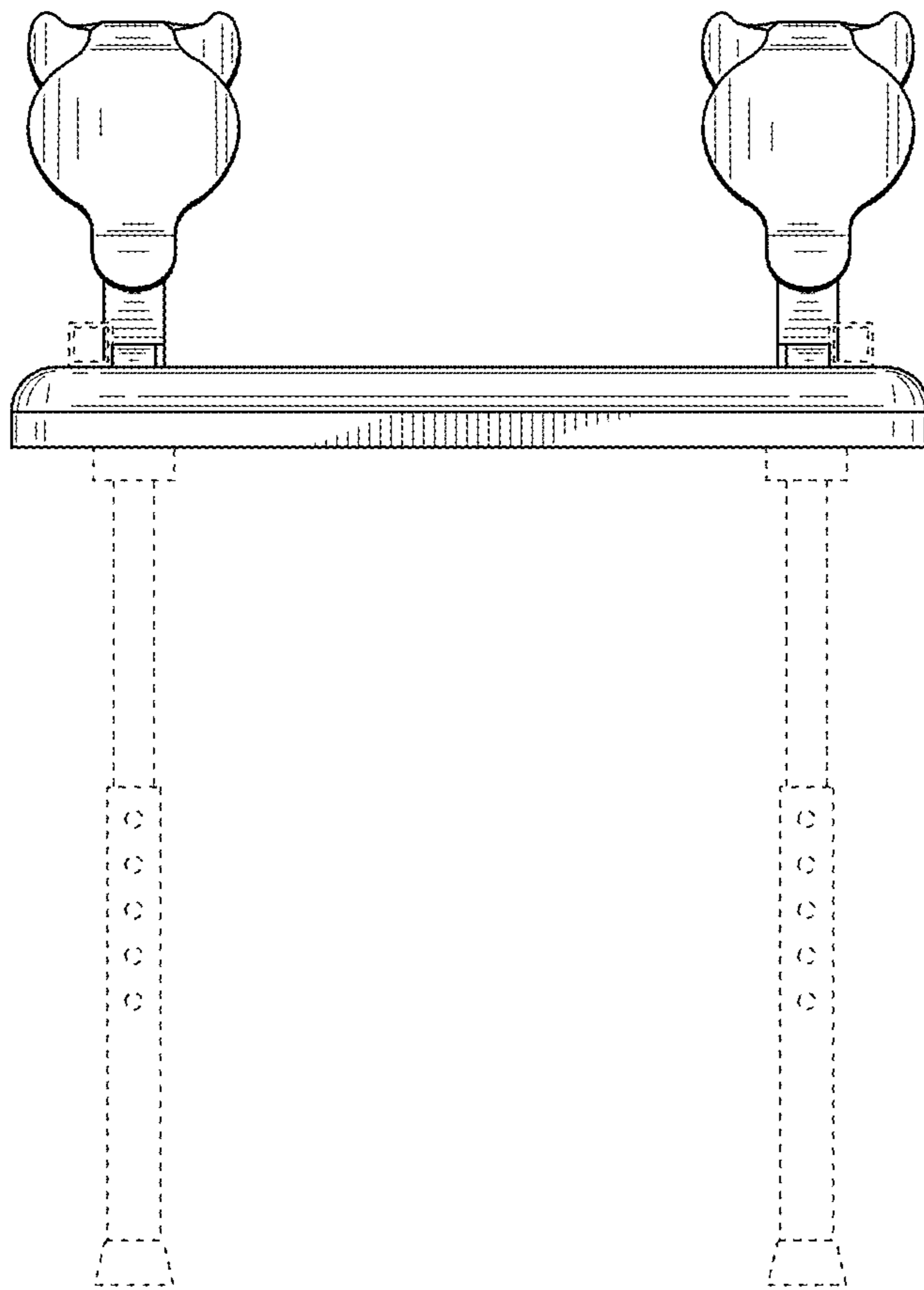


FIG. 6

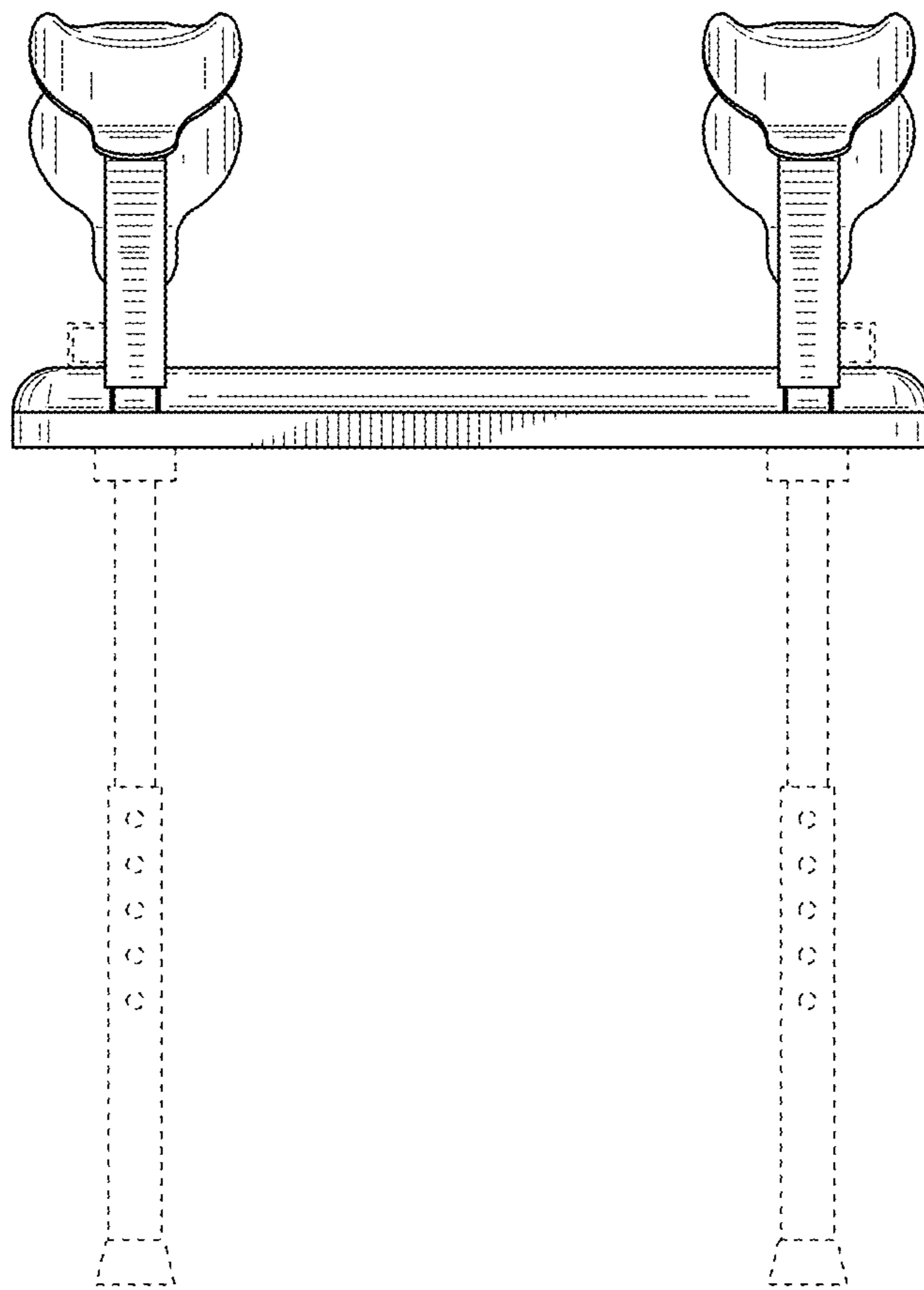


FIG. 7