



US00D801535S

(12) **United States Design Patent**
Koop

(10) **Patent No.:** **US D801,535 S**
(45) **Date of Patent:** **** Oct. 31, 2017**

- (54) **OPTICAL TRIAL FRAME**
- (71) Applicant: **Oculus Optikgeraete Gmbh, Wetzlar (DE)**
- (72) Inventor: **Norbert Koop, Hamburg (DE)**
- (73) Assignee: **OCULUS OPTIKGERAETE GMBH, Wetzlar (DE)**
- (**) Term: **15 Years**
- (21) Appl. No.: **29/567,637**
- (22) Filed: **Jun. 10, 2016**
- (30) **Foreign Application Priority Data**
Dec. 11, 2015 (EM) 002907063-0002
- (51) **LOC (10) Cl.** **16-06**
- (52) **U.S. Cl.**
USPC **D24/172**
- (58) **Field of Classification Search**
USPC D24/150, 172; D16/100, 130, 136, 300,
D16/303, 317, 322, 330, 332-338, 900;
D10/46
CPC A61B 3/036; A61B 3/04; G02C 13/003;
G02C 7/086; G02C 7/088
See application file for complete search history.

- 2,459,021 A * 1/1949 Frommer G02B 25/004
351/158
- 2,631,494 A * 3/1953 Gunkel A61B 3/04
351/227
- 2,659,266 A * 11/1953 Swisher A61B 3/04
2/453
- 2,978,955 A * 4/1961 Frommer G02C 7/086
351/57

(Continued)

FOREIGN PATENT DOCUMENTS

- JP 06007300 A * 1/1994 A61B 3/111
- JP 2009112400 A * 5/2009 A61B 3/04

OTHER PUBLICATIONS

OptomShop.co.uk, Executive Trial Frame, online product page, retrieved Jun. 21, 2017 from <URL:http://www.optomshop.co.uk/oculus-type-trial-frame.htm>.*

(Continued)

Primary Examiner — Sheryl Lane
Assistant Examiner — Calvin E Vansant
(74) *Attorney, Agent, or Firm* — Quarles & Brady LLP

(57) **CLAIM**

The ornamental design for an optical trial frame, as shown and described.

DESCRIPTION

FIG. 1 is a front plan view of an optical trial frame embodying our new design;
FIG. 2 is a side elevational view thereof;
FIG. 3 is a rear plan view thereof;
FIG. 4 is a top plan view thereof;
FIG. 5 is a front perspective view thereof; and,
FIG. 6 is a rear perspective view thereof.
In a preferred embodiment, the nature of this product is an optical trial frame suitable for retinoscopy or refraction tests on the eye.

1 Claim, 6 Drawing Sheets



(56)

References Cited

U.S. PATENT DOCUMENTS

4,795,247 A * 1/1989 Volk B29D 12/02
29/20
D310,087 S * 8/1990 Wiedmann D16/337
5,104,214 A * 4/1992 Sims A61B 3/036
351/229
D327,489 S * 6/1992 Kaye D16/304
5,120,124 A * 6/1992 Sims A61B 3/036
351/234
5,155,508 A * 10/1992 Onufryk G02C 7/14
351/158
5,323,190 A * 6/1994 Onufryk G02C 7/14
351/158
6,971,744 B1 * 12/2005 Cummings G02C 7/086
351/47
D559,709 S * 1/2008 Feiertag D10/46
7,959,287 B1 * 6/2011 Saffra G02C 13/003
351/204
2017/0164824 A1 * 6/2017 Feiertag A61B 3/04

OTHER PUBLICATIONS

Oculus.com, Universal Trial Frame UB 6, undated online product page, retrieved Jun. 21, 2017 from <URL: <http://www.oculus-onlineshop.com/trial-frames/trial-frame-ub-6.html>>.*

* cited by examiner

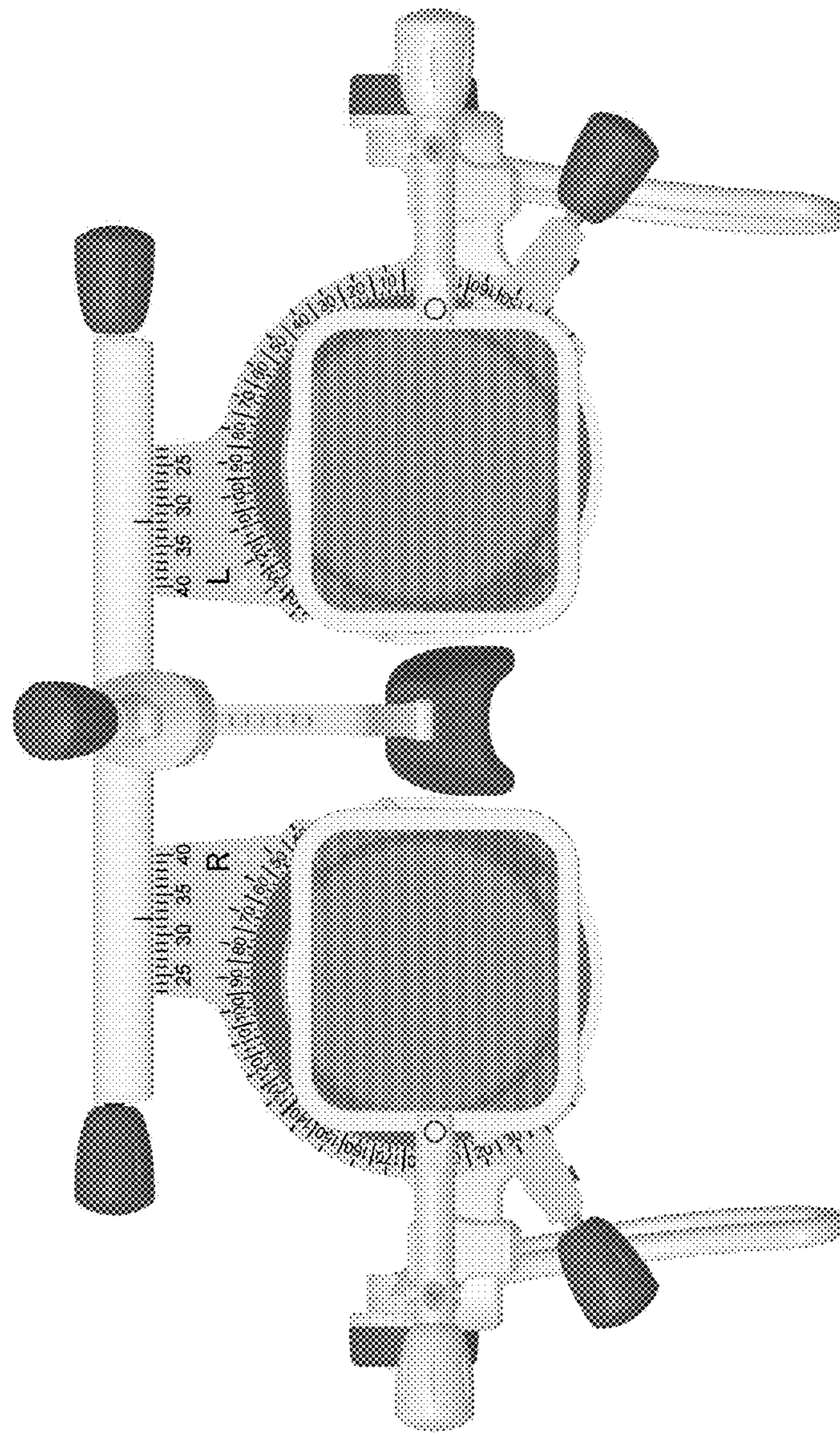


FIG. 1

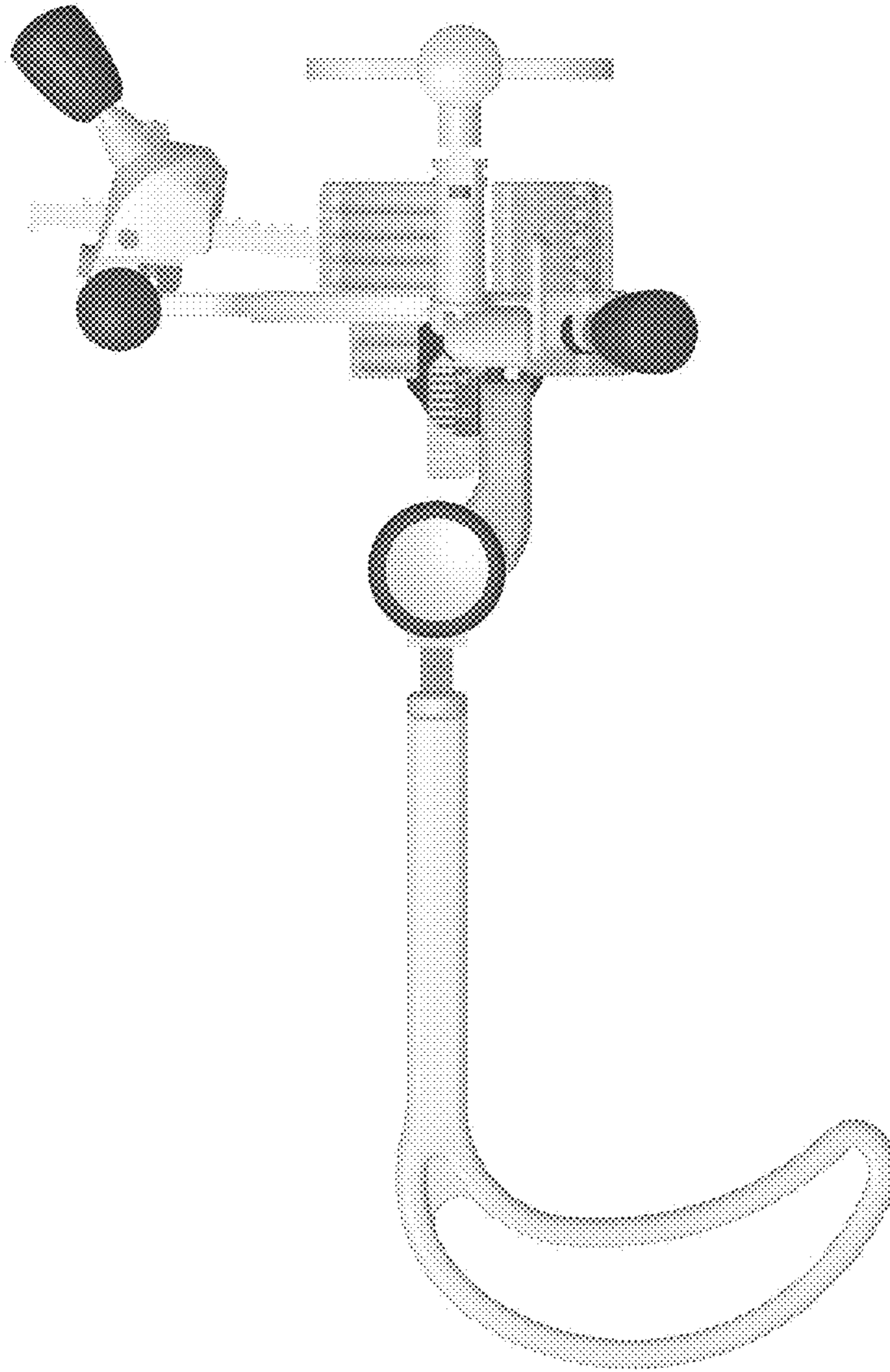


FIG. 2

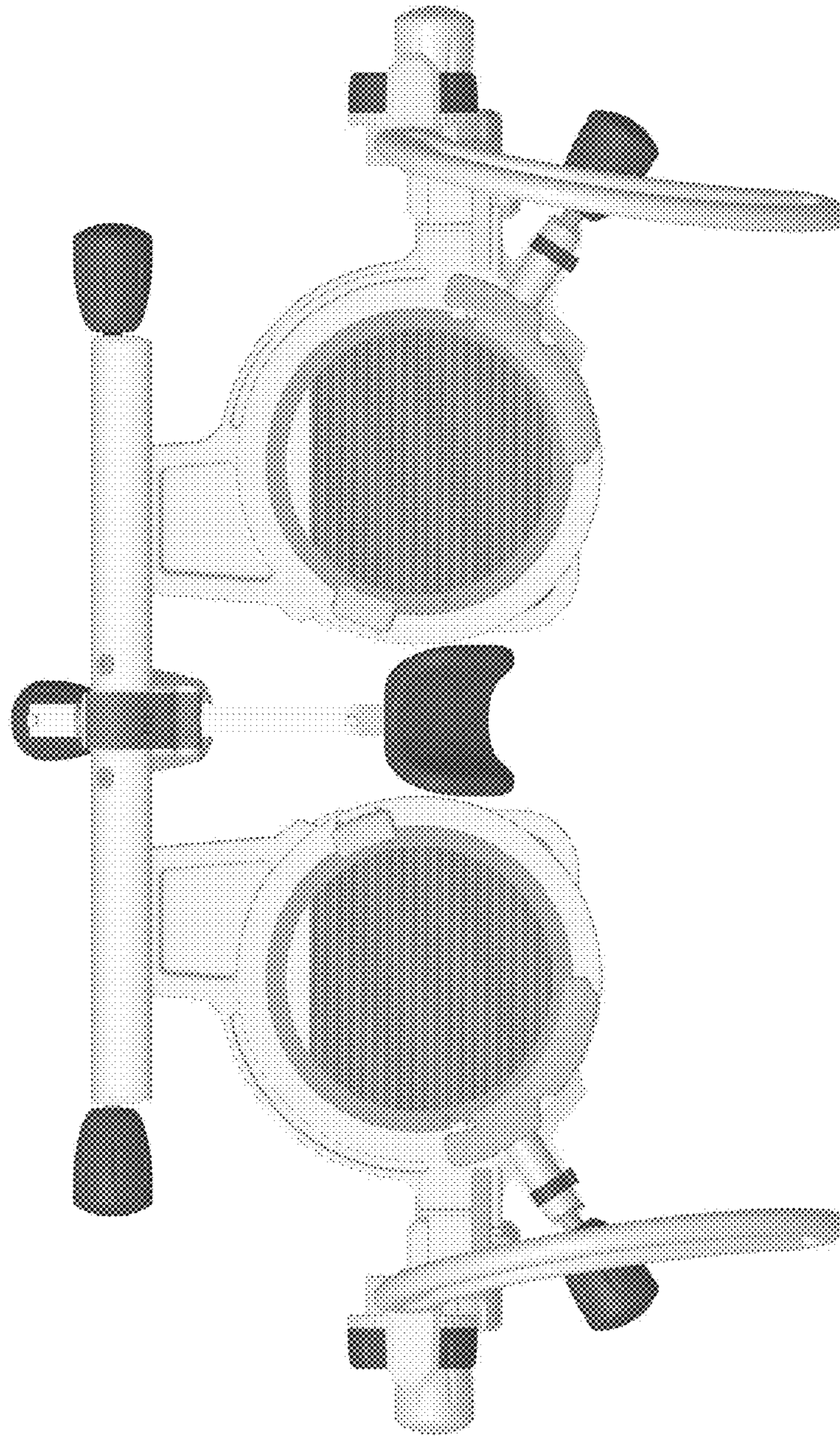


FIG. 3

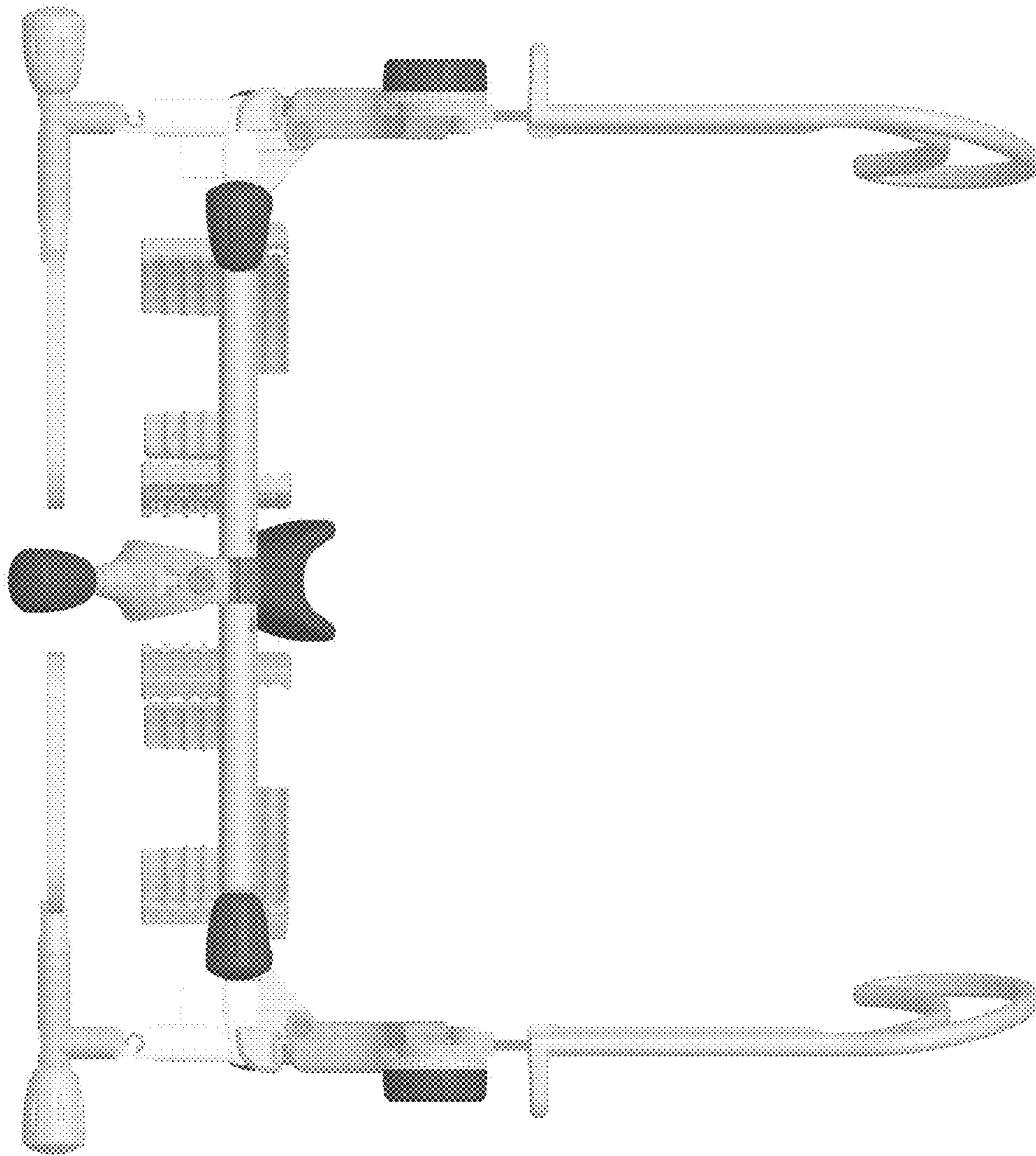


FIG. 4

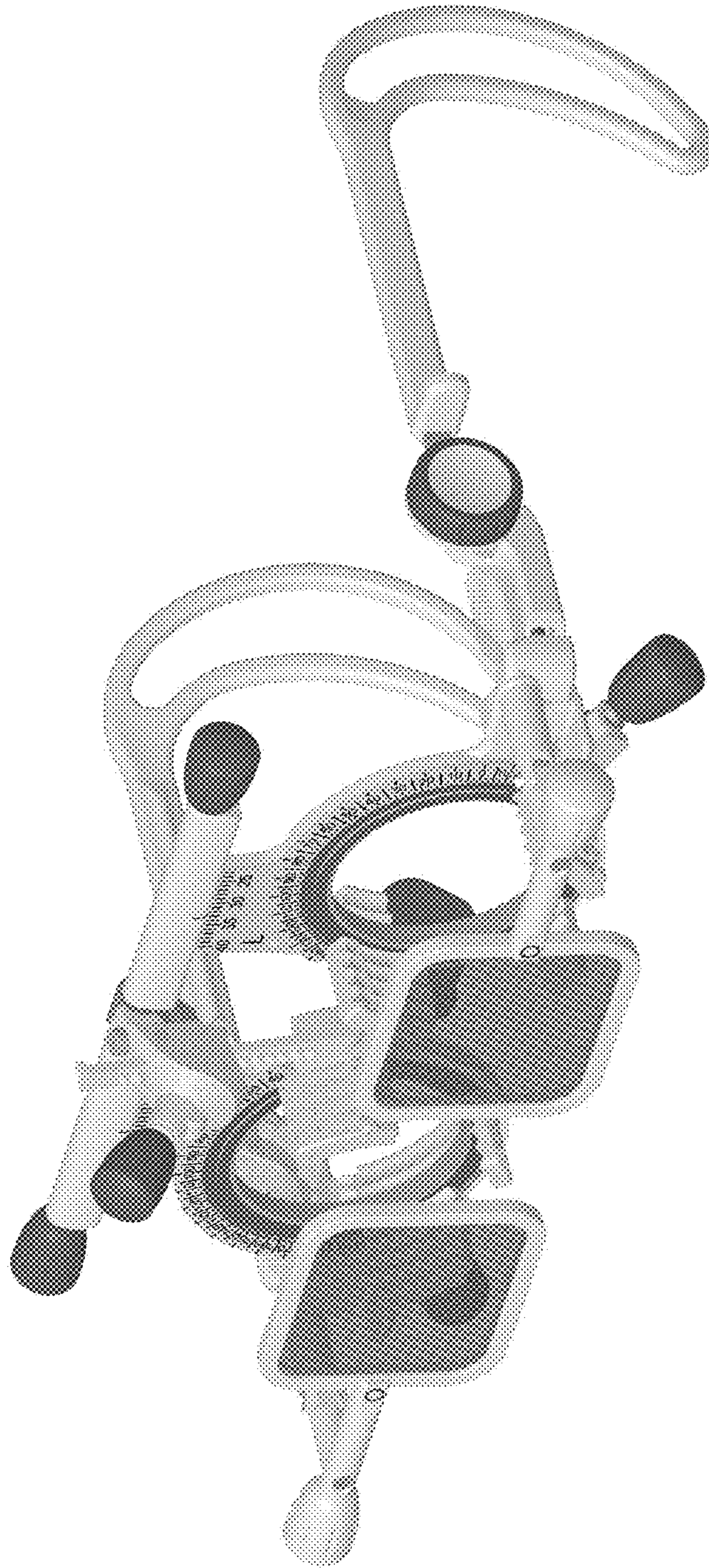


FIG. 5

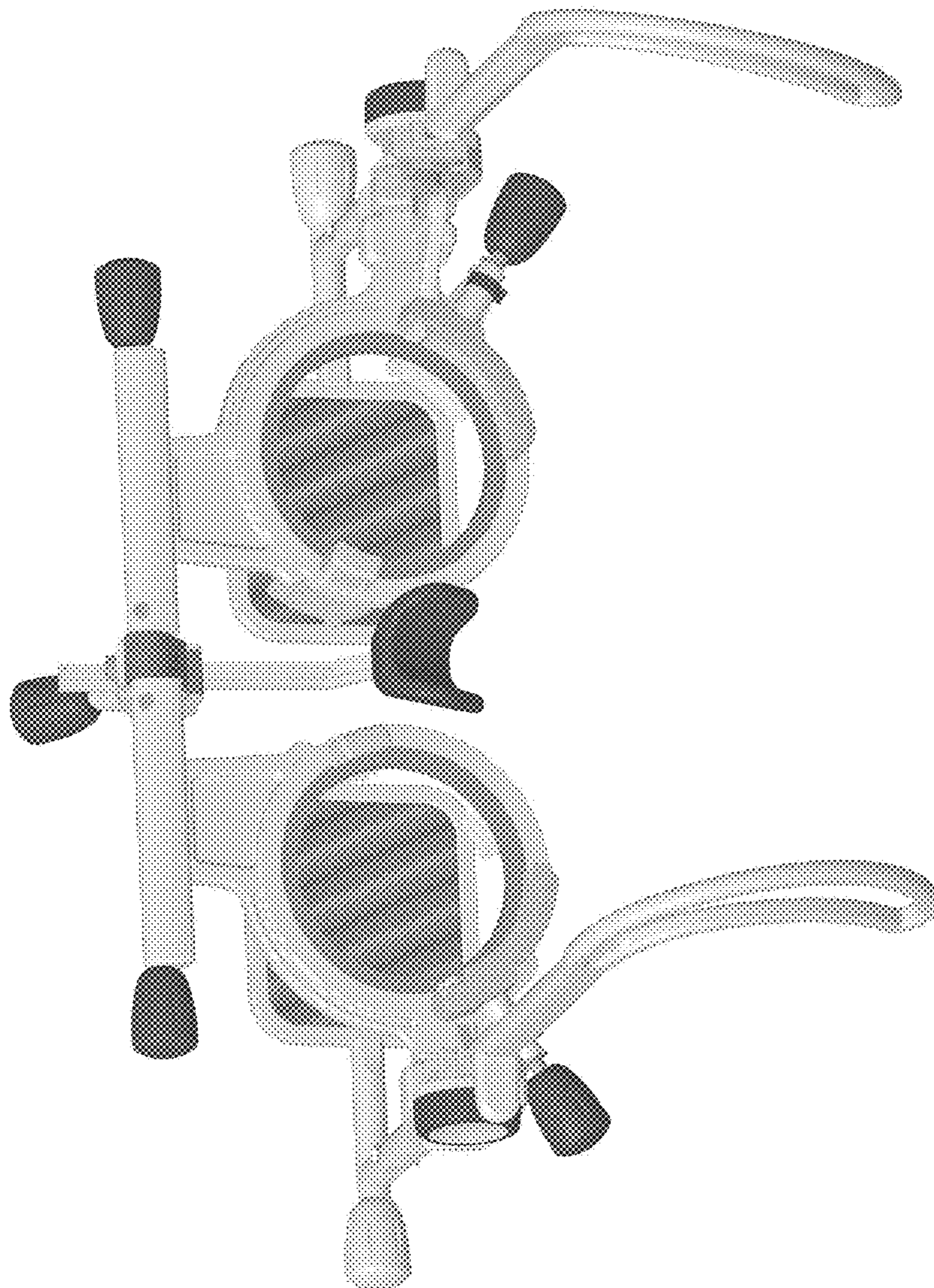


FIG. 6