



US00D801534S

(12) **United States Design Patent**
Koop

(10) **Patent No.:** **US D801,534 S**

(45) **Date of Patent:** **** Oct. 31, 2017**

(54) **OPTICAL TRIAL FRAME**
(71) Applicant: **Oculus Optikgeraete Gmbh, Wetzlar**
(DE)
(72) Inventor: **Norbert Koop, Hamburg (DE)**
(73) Assignee: **OCULUS OPTIKGERAETE GMBH,**
Wetzlar (DE)

2,631,494 A * 3/1953 Gunkel A61B 3/04
351/227
2,659,266 A * 11/1953 Swisher A61B 3/04
2/453
D219,686 S * 1/1971 Mitchell D16/317
4,795,247 A * 1/1989 Volk B29D 12/02
29/20
D310,087 S * 8/1990 Wiedmann D16/337
(Continued)

(**) Term: **15 Years**

(21) Appl. No.: **29/567,636**

(22) Filed: **Jun. 10, 2016**

(30) **Foreign Application Priority Data**

Dec. 11, 2015 (EM) 002907063-0001

(51) **LOC (10) Cl.** **24-02**

(52) **U.S. Cl.**
USPC **D24/172**

(58) **Field of Classification Search**
USPC D16/100, 130, 136, 300, 303, 309, 317,
D16/322, 330, 332-338, 900; D24/150,
D24/172; D10/46
CPC G02C 7/086; G02C 7/088; G02C 13/003;
A61B 3/036; A61B 3/04
See application file for complete search history.

(56) **References Cited**

U.S. PATENT DOCUMENTS

430,763 A * 6/1890 Underwood G02C 13/003
33/200
1,837,934 A * 12/1931 Wittig A61B 3/04
351/229
2,333,738 A * 11/1943 Peck A61B 3/04
33/200
2,432,676 A * 12/1947 Peck A61B 3/04
351/227
2,447,936 A * 8/1948 Ellis A61B 3/04
351/121

FOREIGN PATENT DOCUMENTS

JP 06007300 A * 1/1994 A61B 3/111
JP 2009112400 A * 5/2009 A61B 3/04

OTHER PUBLICATIONS

OptomShop.co.uk, Executive Trial Frame, online product page,
retrieved Jun. 21, 2017 from <URL:http://www.optomshop.co.uk/
oculus-type-trial-frame.html>.*

(Continued)

Primary Examiner — Sheryl Lane

Assistant Examiner — Calvin E Vansant

(74) *Attorney, Agent, or Firm* — Quarles & Brady LLP

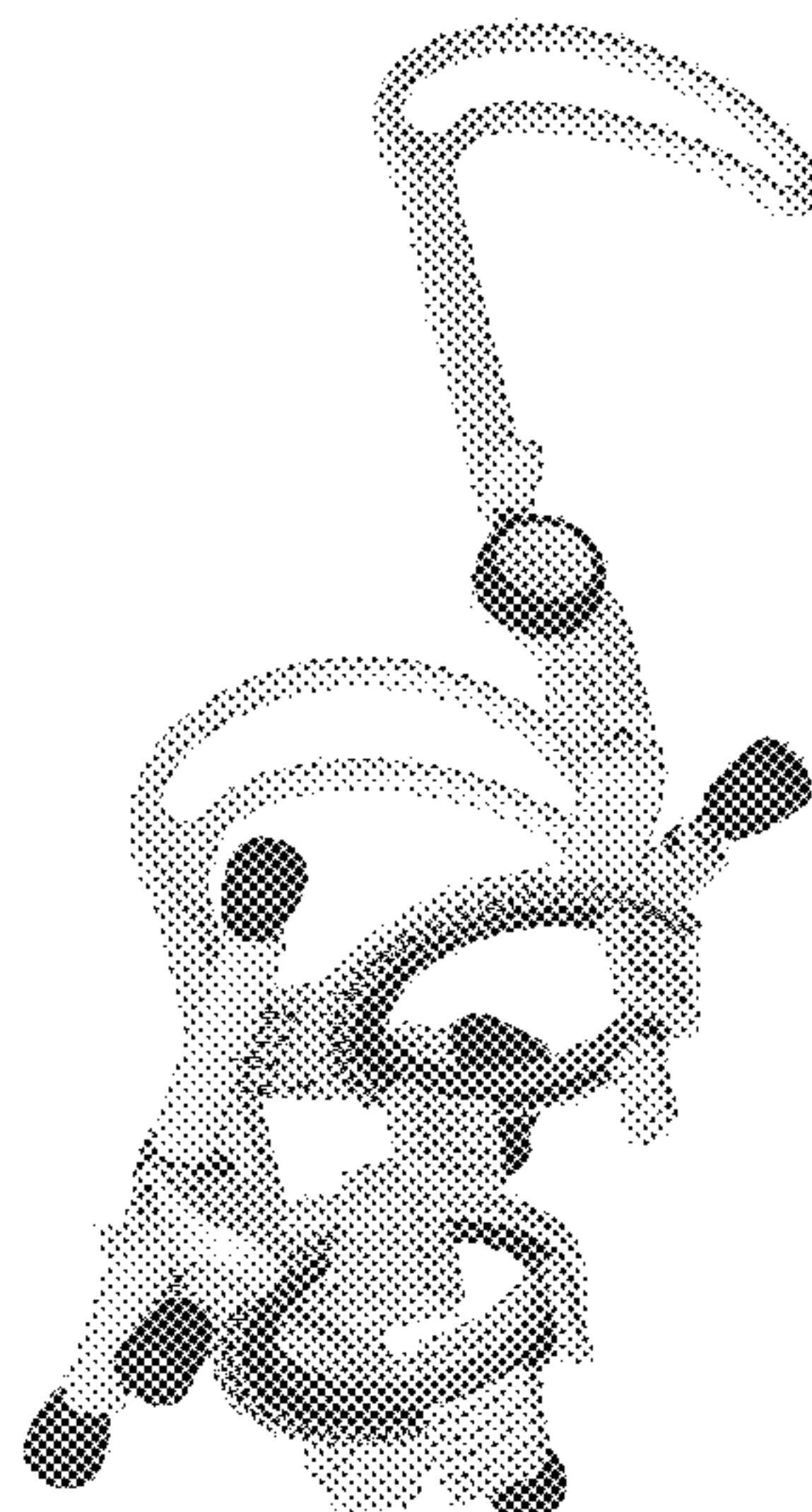
(57) **CLAIM**

The ornamental design for an optical trial frame, as shown
and described.

DESCRIPTION

FIG. 1 is a front plan view of an optical trial frame
embodying our new design;
FIG. 2 is a side elevational view thereof;
FIG. 3 is a rear plan view thereof;
FIG. 4 is a top plan view thereof;
FIG. 5 is a front perspective view thereof; and,
FIG. 6 is a rear perspective view thereof.
In a preferred embodiment, the nature of this product is an
optical trial frame suitable for retinoscopy or refraction tests
on the eye.

1 Claim, 6 Drawing Sheets



(56)

References Cited

U.S. PATENT DOCUMENTS

5,104,214 A * 4/1992 Sims A61B 3/036
351/229
5,120,124 A * 6/1992 Sims A61B 3/036
351/234
5,155,508 A * 10/1992 Onufryk G02C 7/14
351/158
5,323,190 A * 6/1994 Onufryk G02C 7/14
351/158
D559,709 S * 1/2008 Feiertag D10/46
7,959,287 B1 * 6/2011 Saffra G02C 13/003
351/204
D658,225 S * 4/2012 King D16/300
2017/0164824 A1 * 6/2017 Feiertag A61B 3/04

OTHER PUBLICATIONS

Oculus.com, Universal Trial Frame UB 6, undated online product page, retrieved Jun. 21, 2017 from <URL:<http://www.oculus-onlineshop.com/trial-frames/trial-frame-ub-6.html>>.*

* cited by examiner

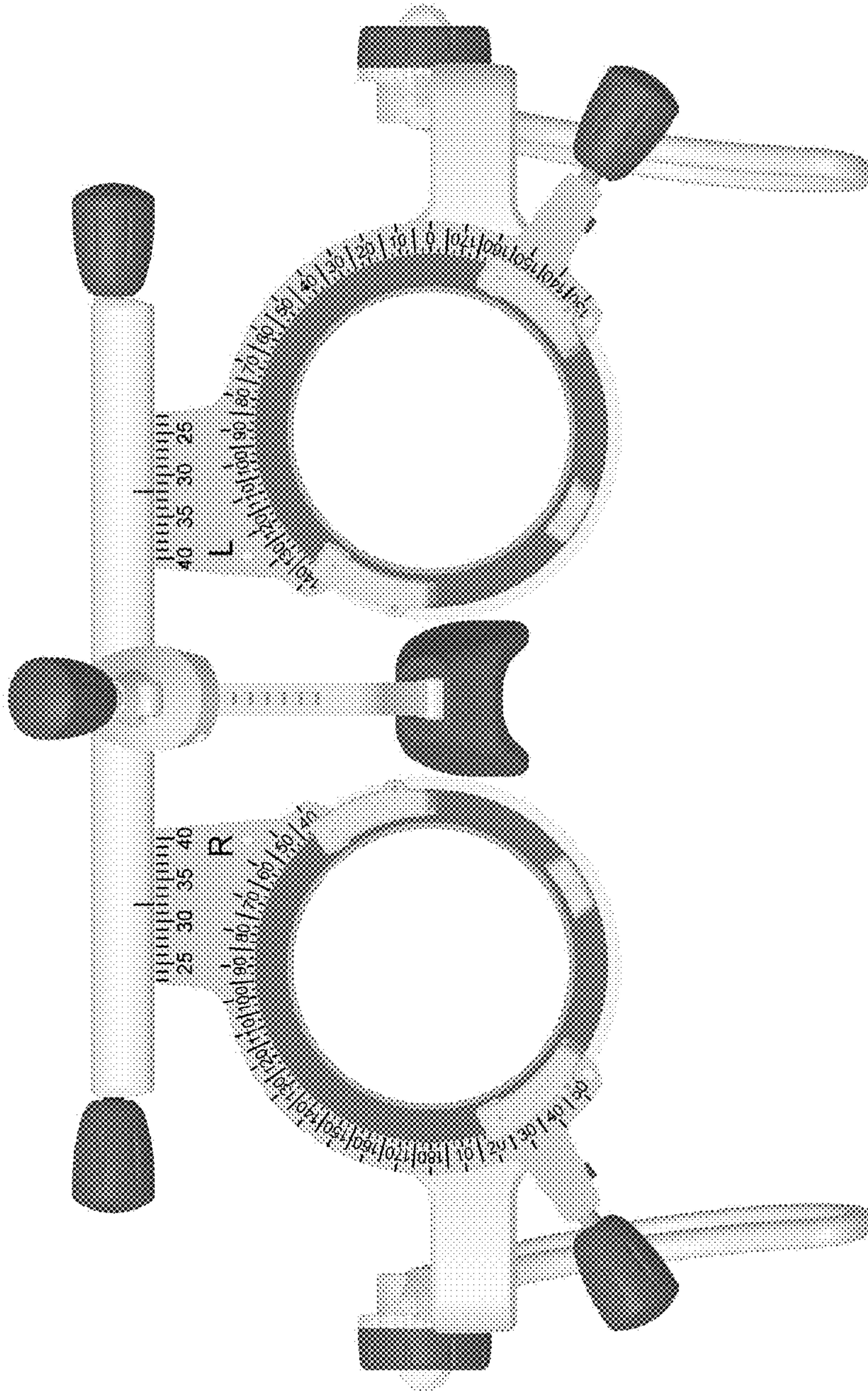


FIG. 1

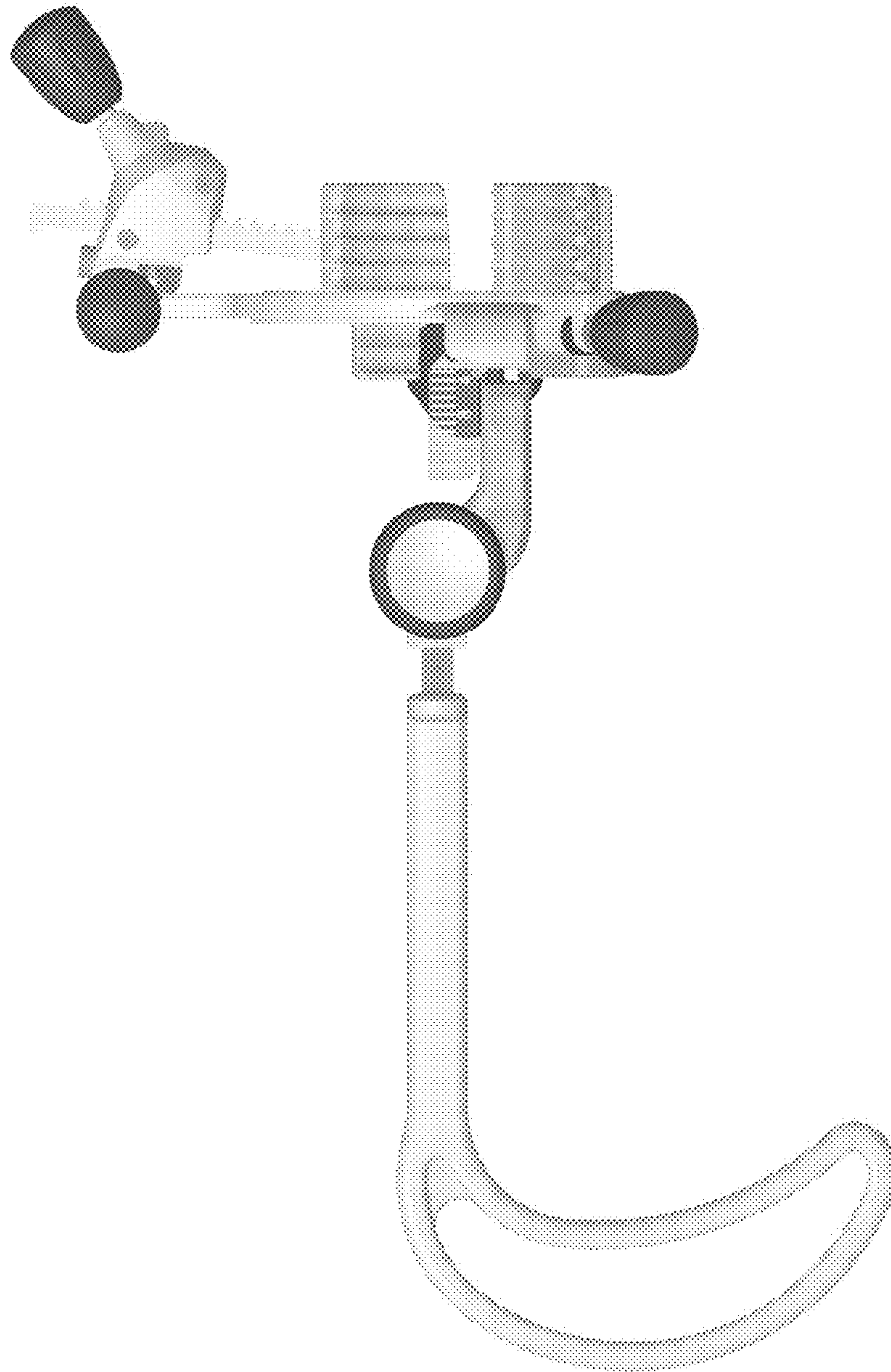


FIG. 2

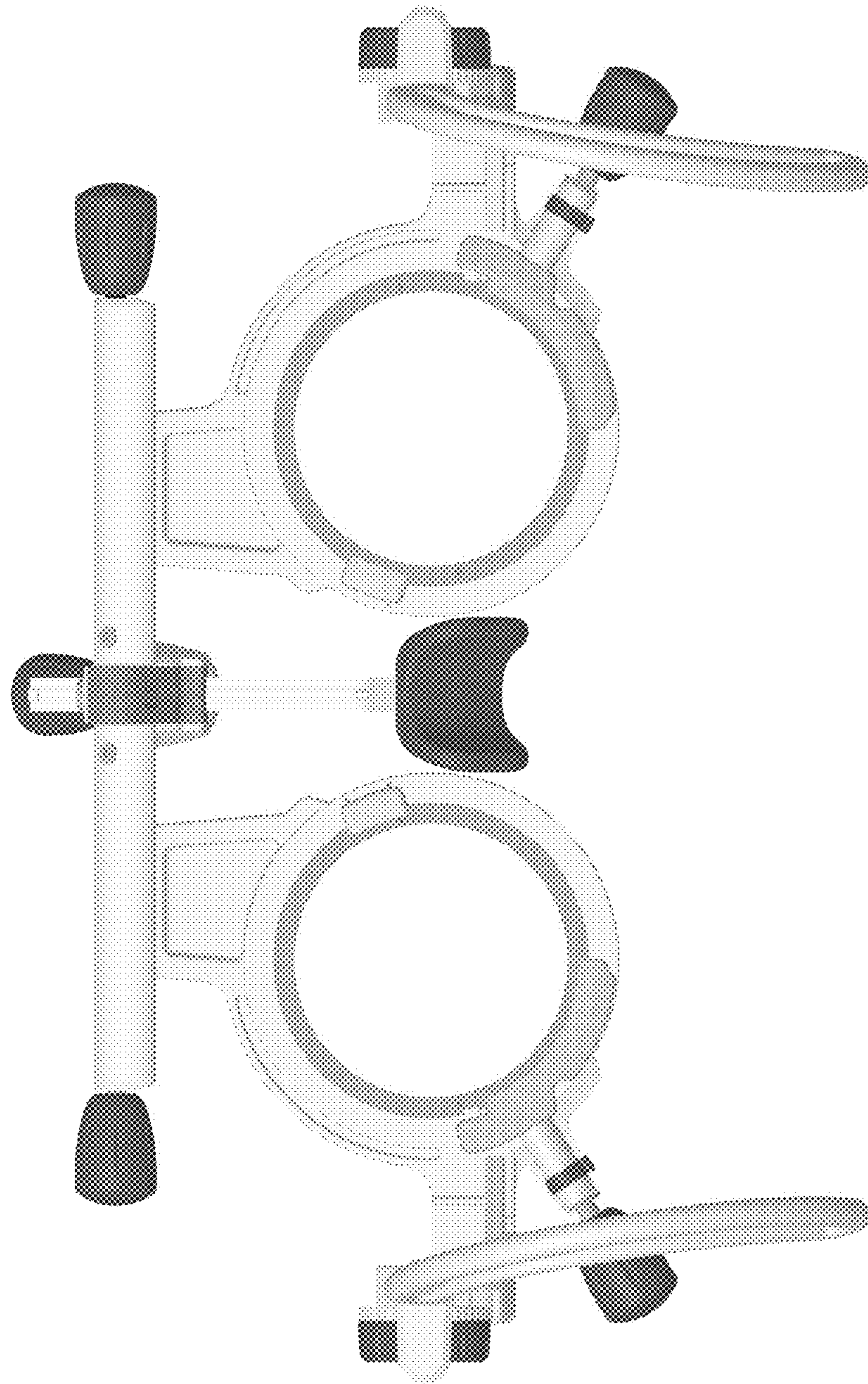


FIG. 3

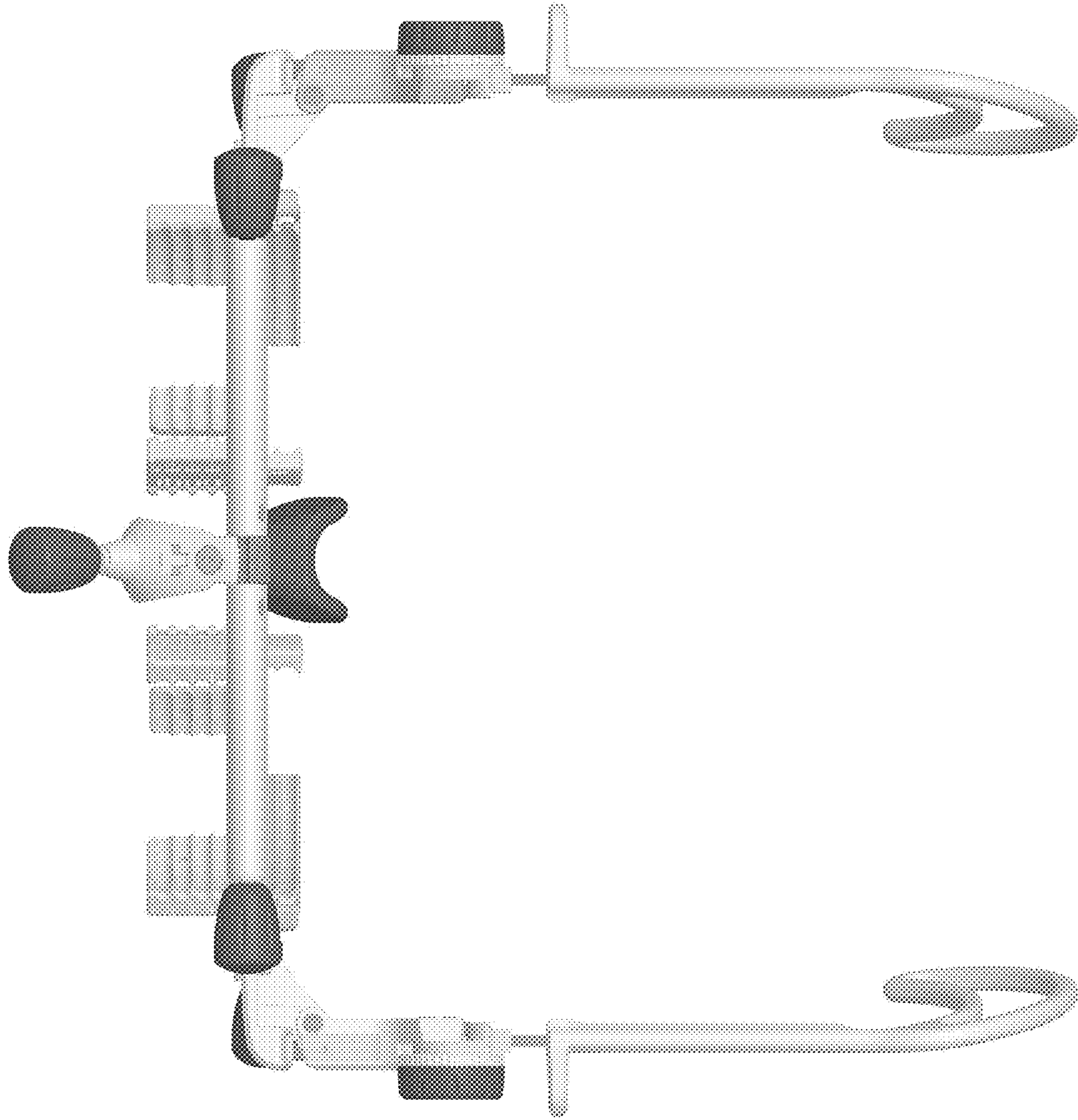


FIG. 4

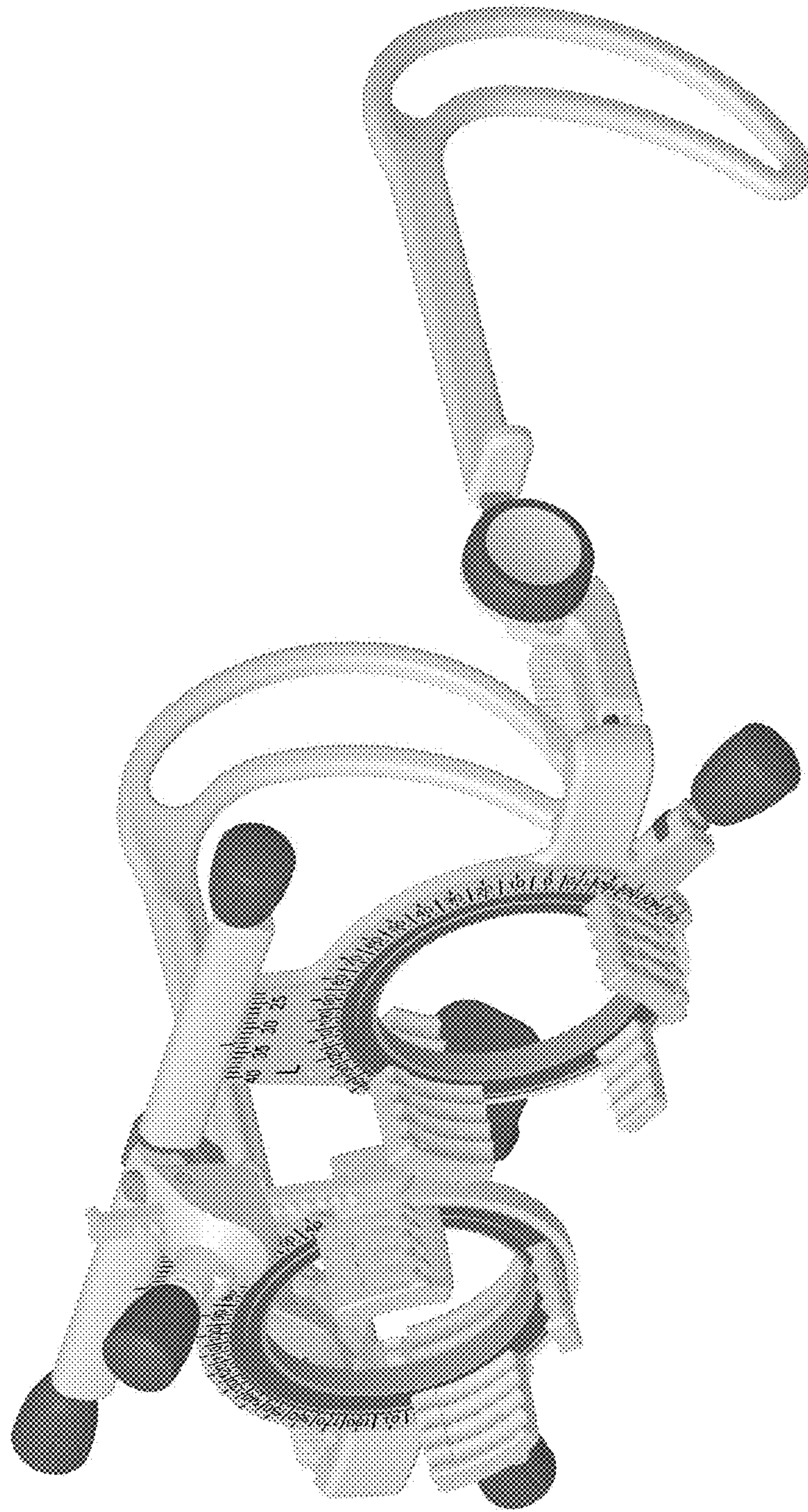


FIG. 5

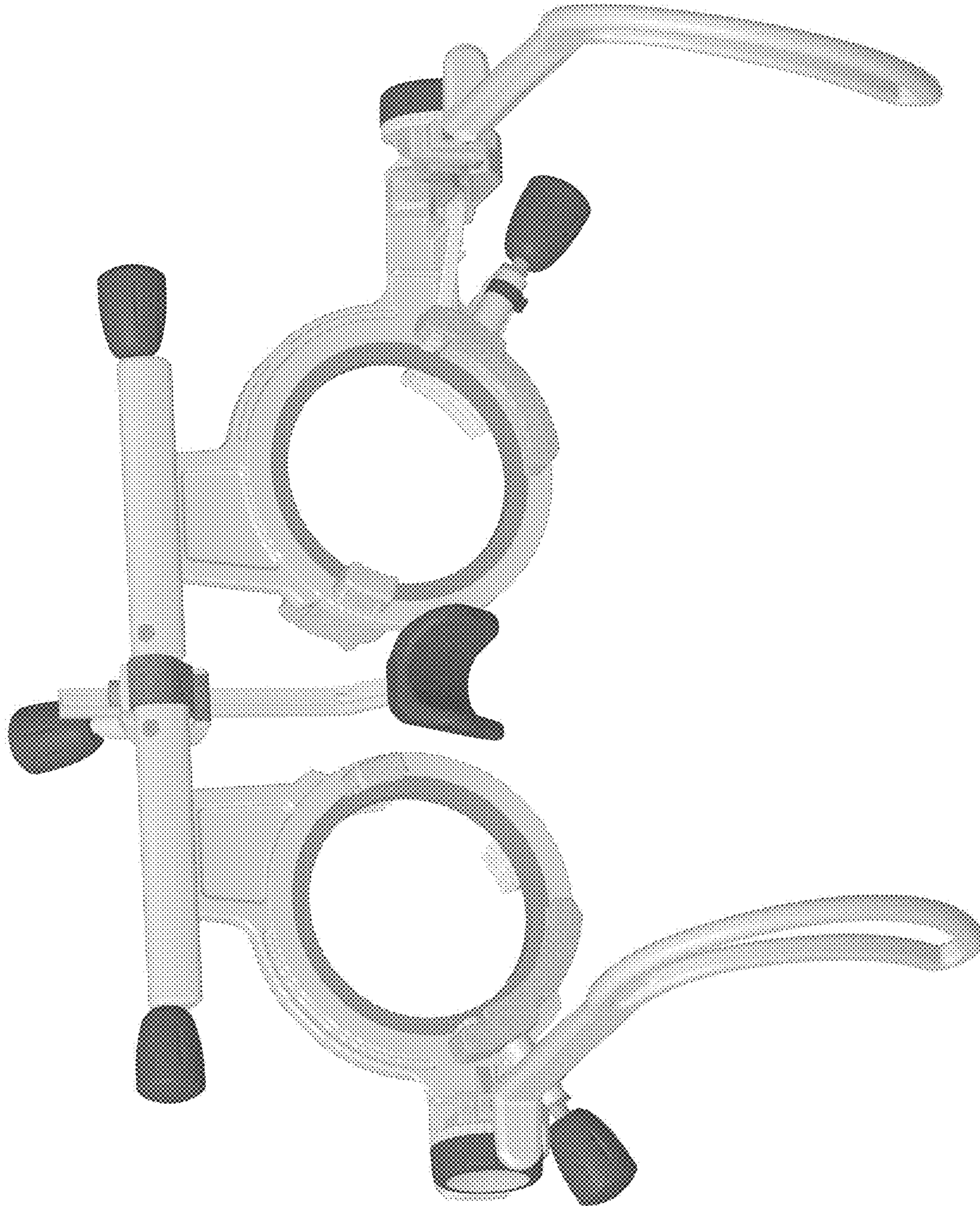


FIG. 6