



US00D801529S

(12) **United States Design Patent**
Im et al.

(10) **Patent No.:** **US D801,529 S**
(45) **Date of Patent:** **** Oct. 31, 2017**

(54) **MEDICAL INSTRUMENT FOR MEASURING ELECTROCARDIOGRAM**

- (71) Applicant: **Samsung Electronics Co., Ltd.**, Suwon-si, Gyeonggi-do (KR)
- (72) Inventors: **Seungbin Im**, Yongin-si (KR); **Sungchan Ko**, Suwon-si (KR); **Euiju Lee**, Guri-si (KR); **Sangho Park**, Seoul (KR)
- (73) Assignee: **SAMSUNG ELECTRONICS CO., LTD.**, Gyeonggi-Do (KR)

(**) Term: **15 Years**

(21) Appl. No.: **29/535,620**

(22) Filed: **Aug. 7, 2015**

(30) **Foreign Application Priority Data**

Feb. 16, 2015 (KR) 30-2015-0008469

(51) **LOC (10) Cl.** **24-02**

(52) **U.S. Cl.**
USPC **D24/168**

(58) **Field of Classification Search**
USPC D24/133
CPC A61B 7/02; A61B 7/04; A61B 5/04085
See application file for complete search history.

(56) **References Cited**

U.S. PATENT DOCUMENTS

D196,699 S *	10/1963	Clark	D24/134
D589,144 S *	3/2009	Bagha	D24/134
D774,406 S *	12/2016	Im	D10/57
2015/0129350 A1 *	5/2015	Ting	A61B 7/02 181/131

FOREIGN PATENT DOCUMENTS

JP	522072 S	1/1980
KR	30-0522259 S	3/2009

OTHER PUBLICATIONS

Animal Wireless Digital Stethoscope from Sunmeditec Co., Ltd. B2B marketplace . . . [retrieved on Jun. 21, 2015]. p. 1-4, Retrieved from the Internet: <URL: <http://www.tradekorea.com/product/detail/P340610/Animal-Wireless-Digital-Stethoscope.html>>.

* cited by examiner

Primary Examiner — Robert M Spear

Assistant Examiner — Eliza Bennett-Hattan

(74) *Attorney, Agent, or Firm* — Cantor Colburn LLP

(57) **CLAIM**

The ornamental design for an medical instrument for measuring electrocardiogram, as shown and described.

DESCRIPTION

FIG. 1 is a perspective view of an medical instrument for measuring electrocardiogram showing our new design; FIG. 2 is a front view thereof; FIG. 3 is a rear view thereof; FIG. 4 is a left side view thereof; FIG. 5 is a right side view thereof; FIG. 6 is a top view thereof; FIG. 7 is a bottom view thereof; FIG. 8 is another perspective view thereof; FIG. 9 is another perspective view thereof as shown in an environment of use; and, FIG. 10 is an enlarged view of the encircled area shown in FIG. 1.

The short dash-dash broken lines in the figures show portions of the medical device and the dot-dot-dash broken lines in FIG. 1 and FIG. 10 encircling a portion of the medical instrument for measuring electrocardiogram are for illustrating the enlargement; the broken lines form no part of the claimed design.

1 Claim, 10 Drawing Sheets

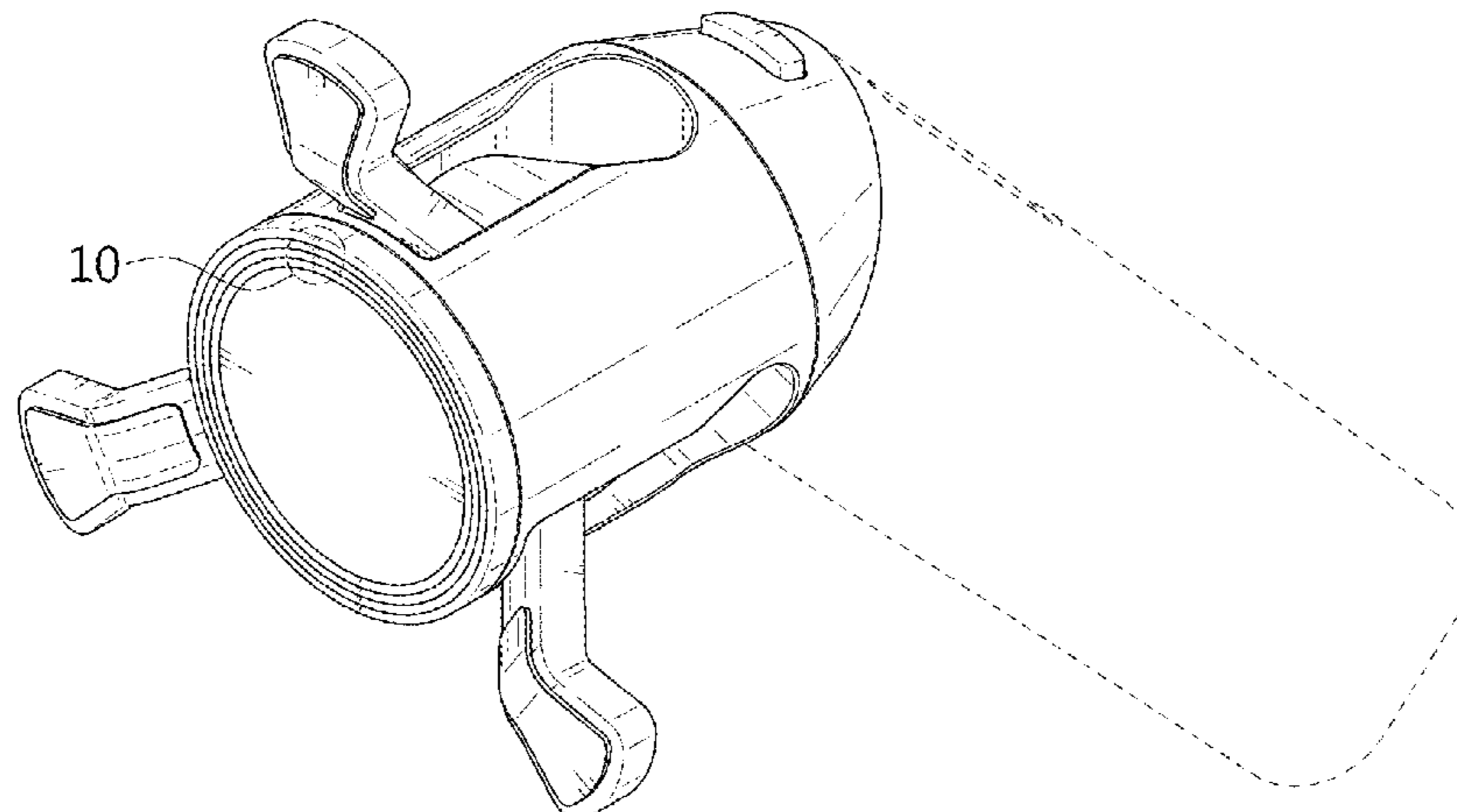


FIG. 1

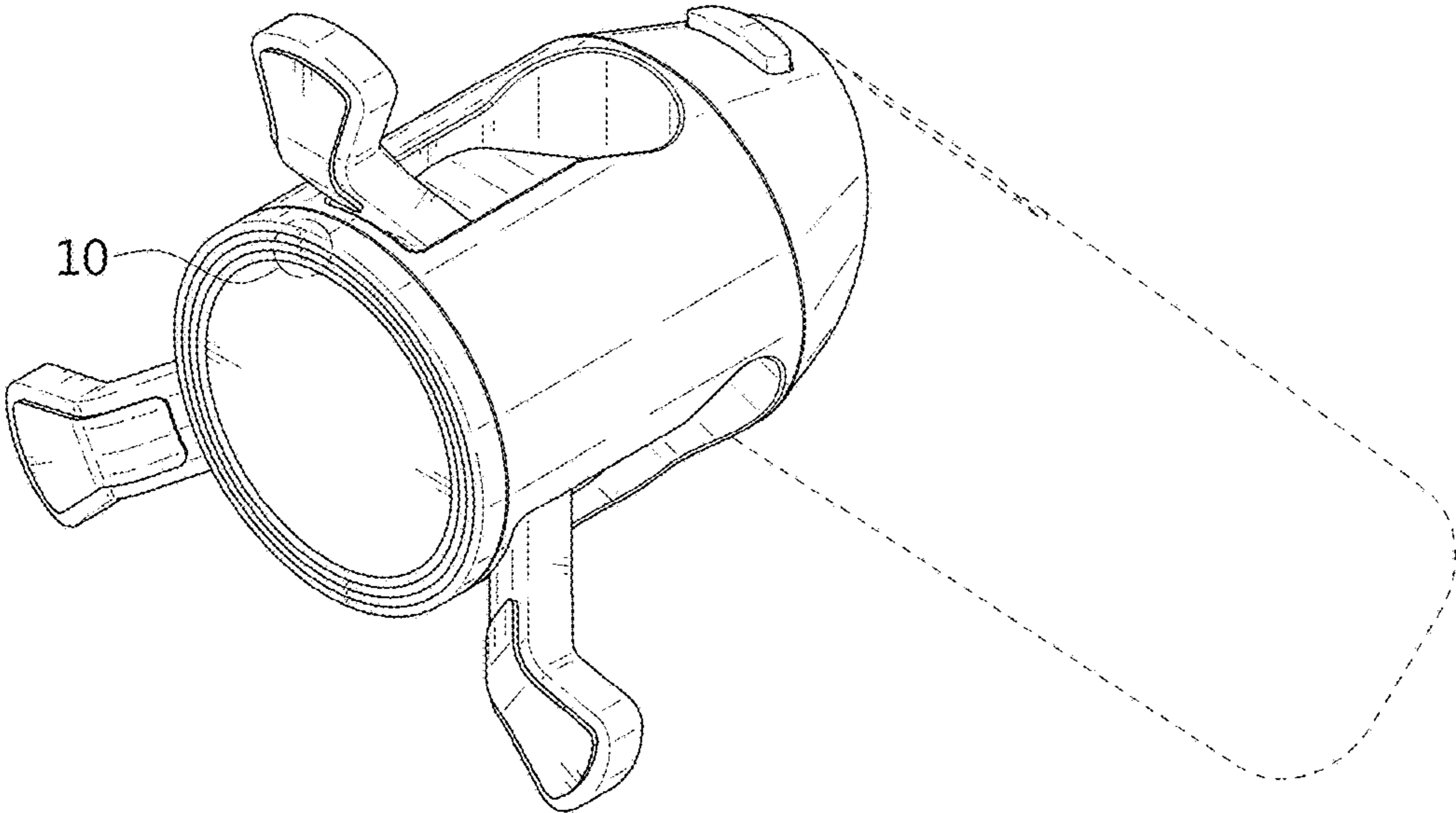


FIG. 2

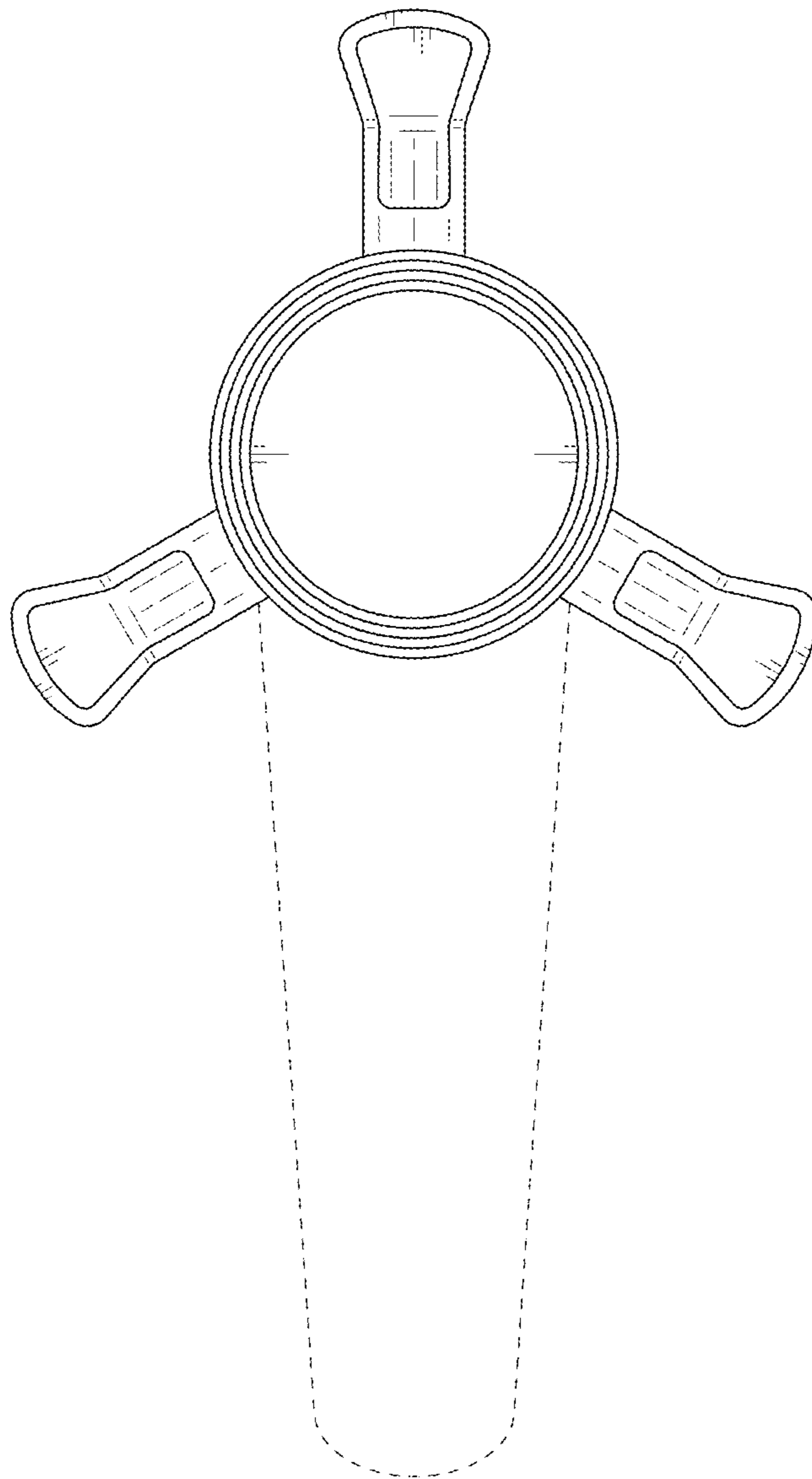


FIG. 3

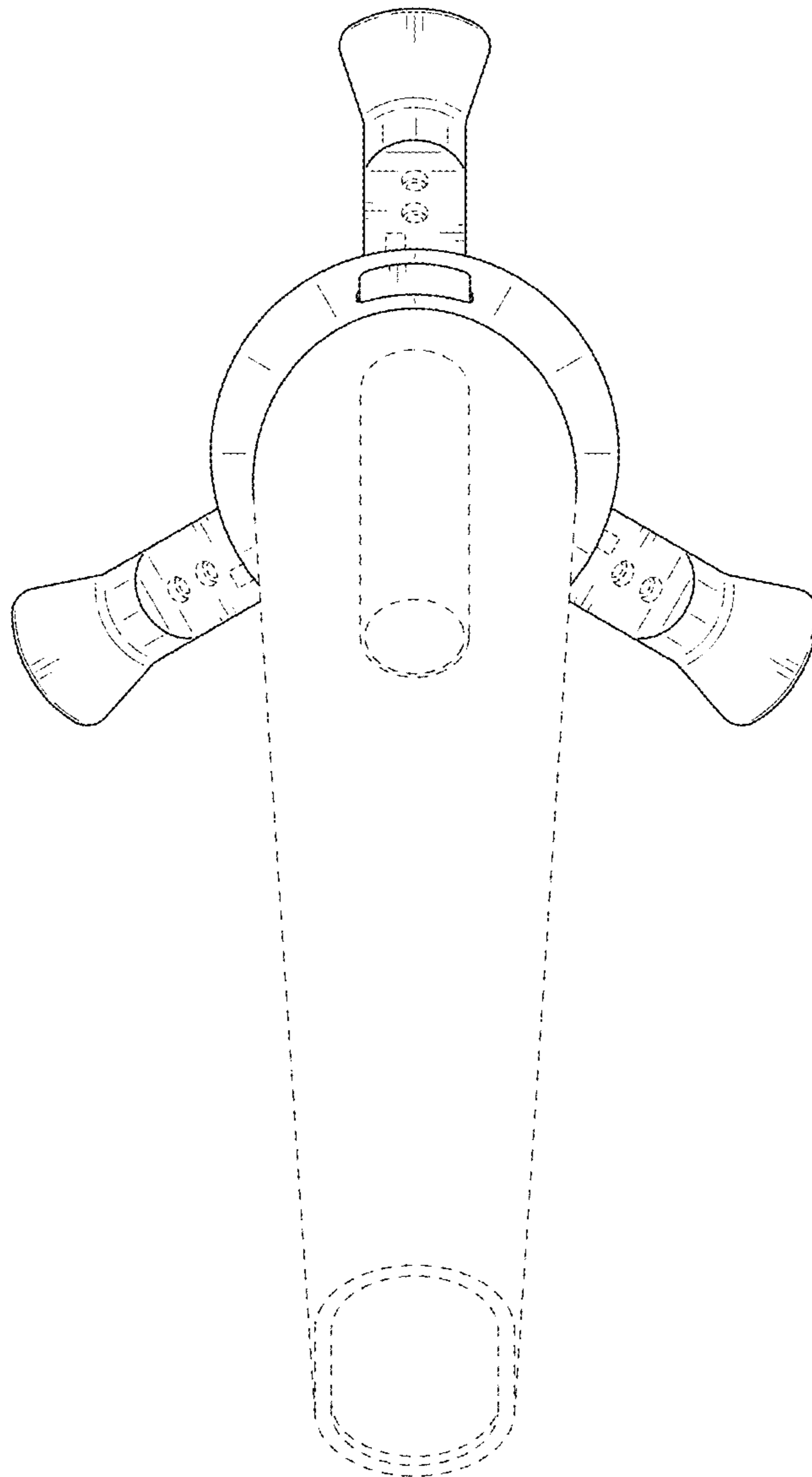


FIG. 4

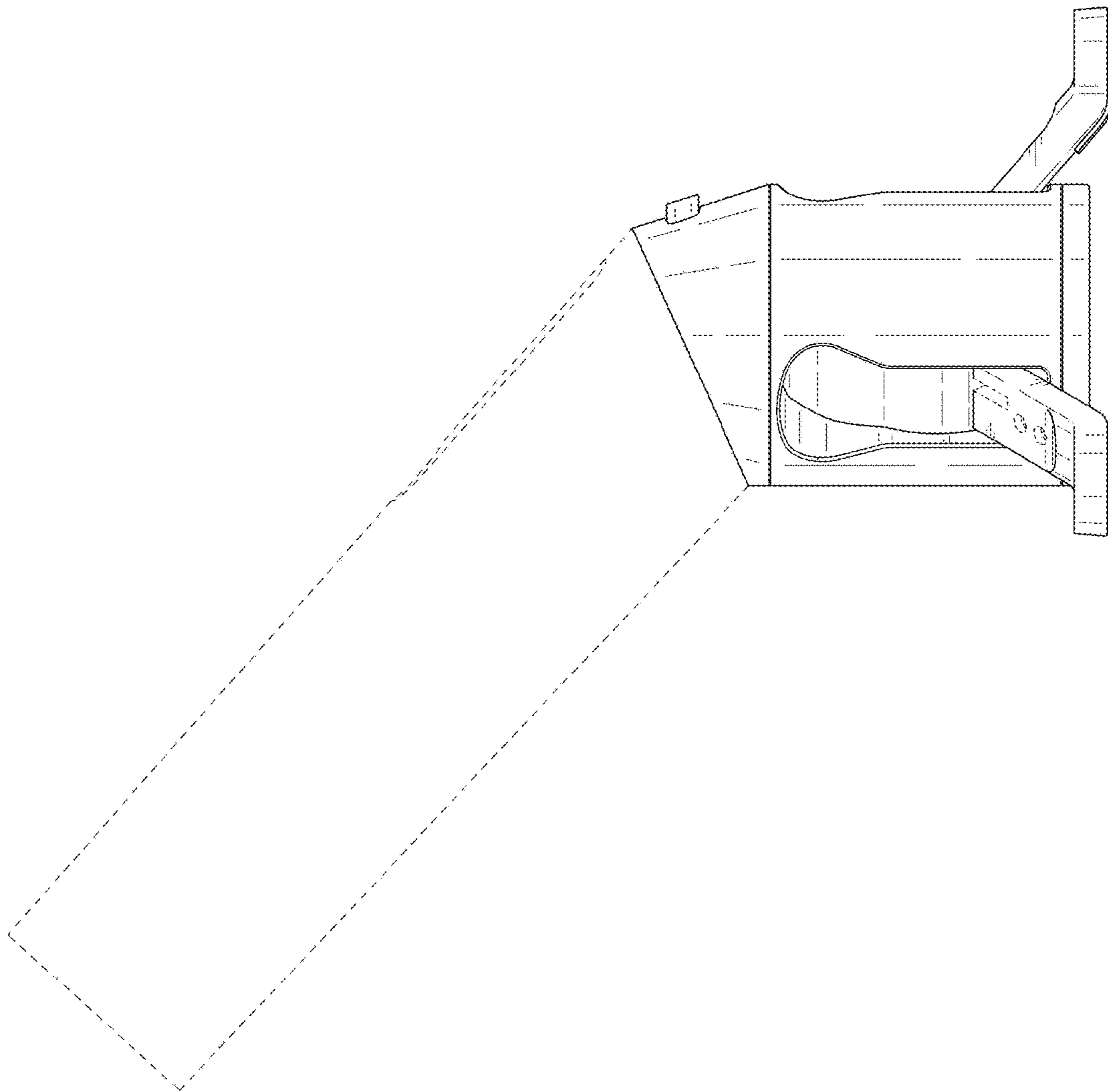


FIG. 5

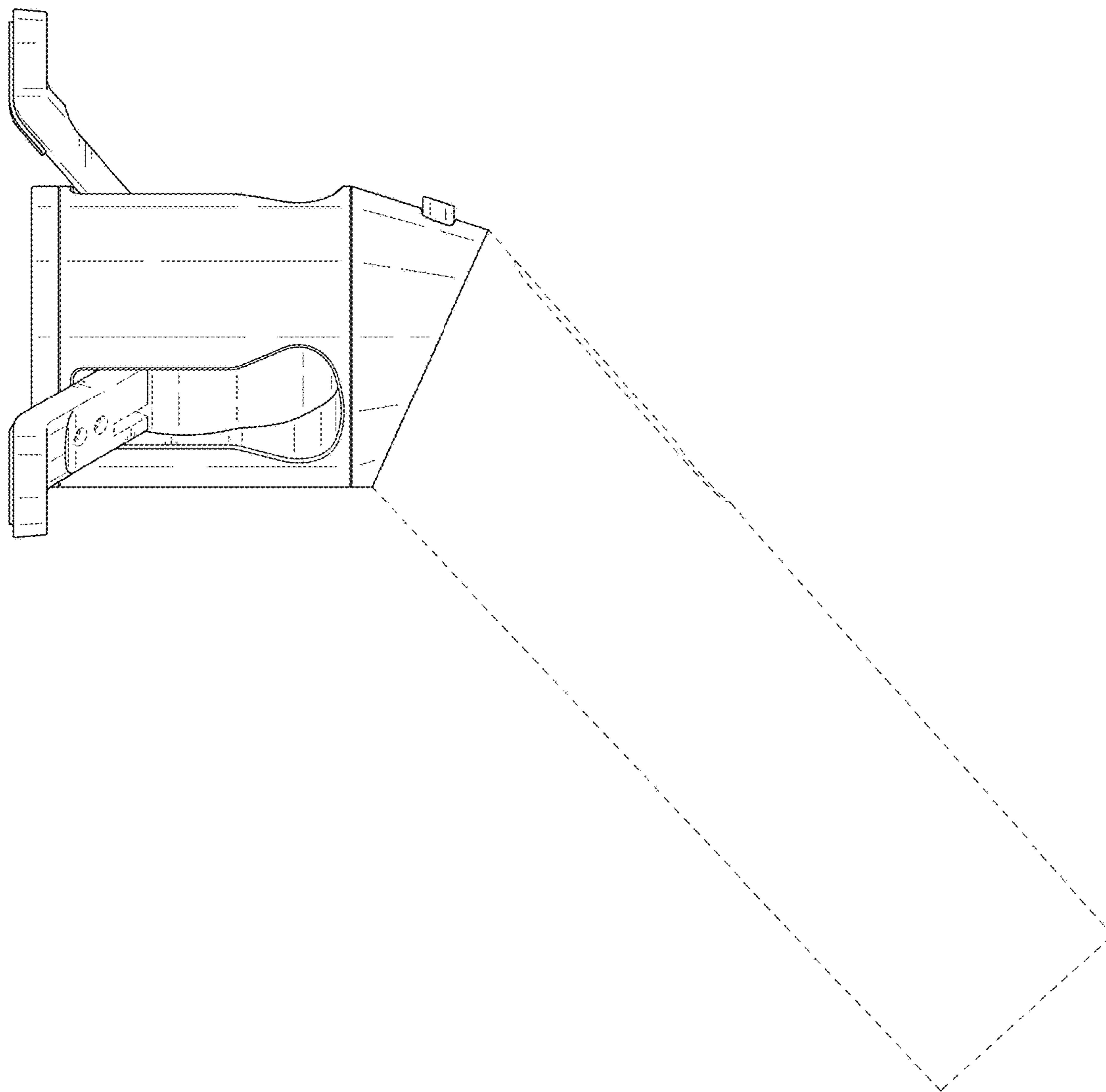


FIG. 6

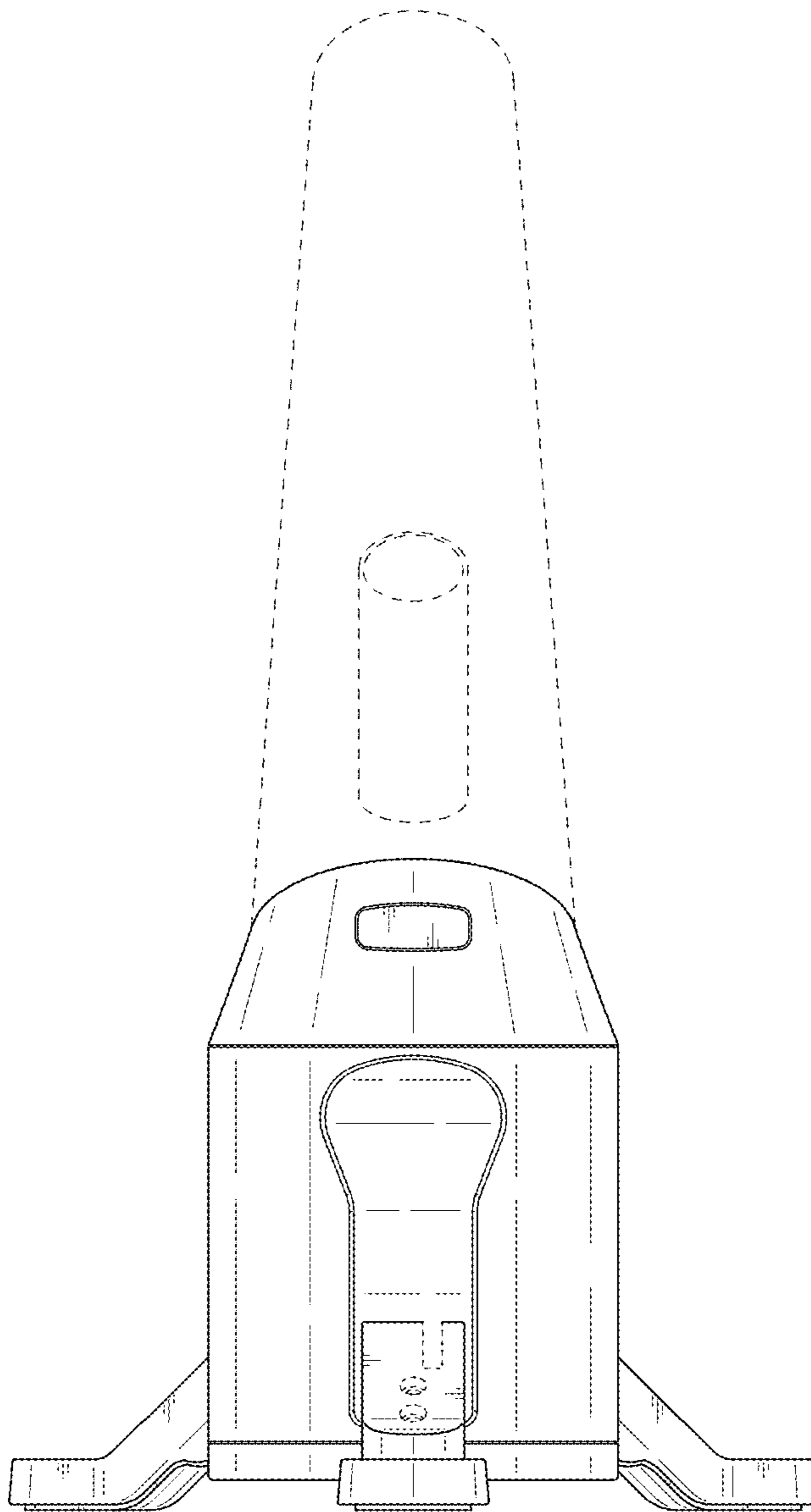


FIG. 7

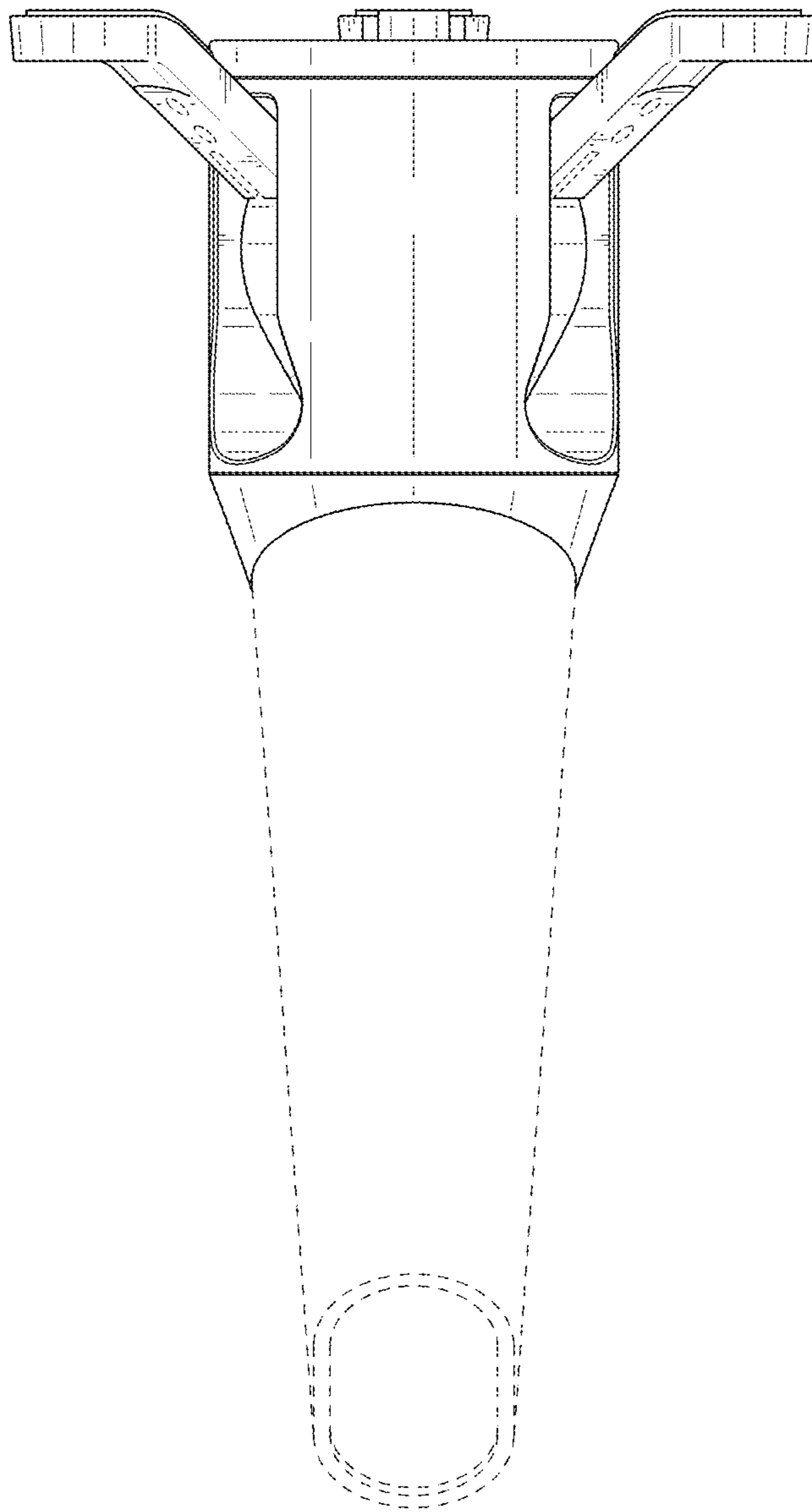


FIG. 8

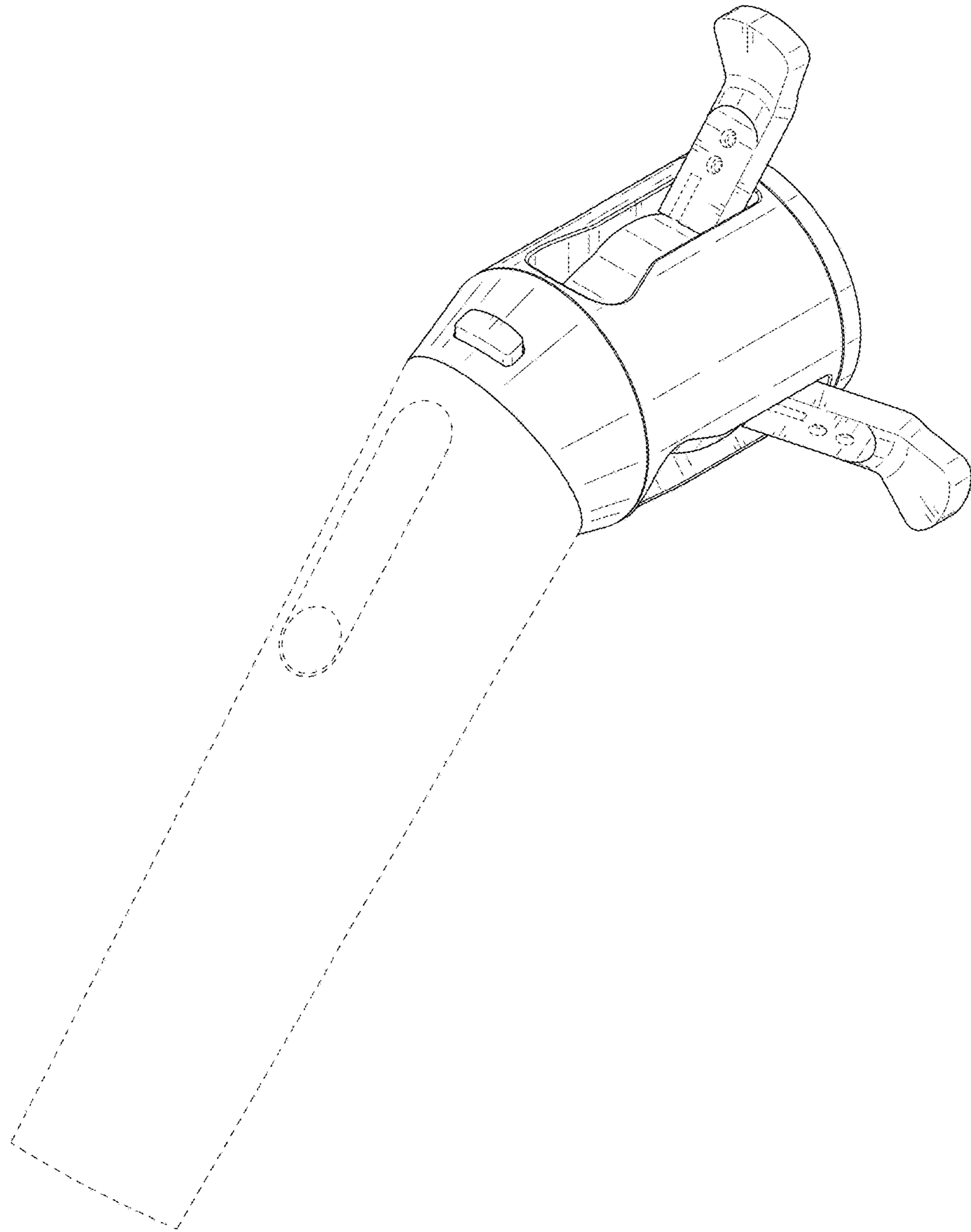


FIG. 9

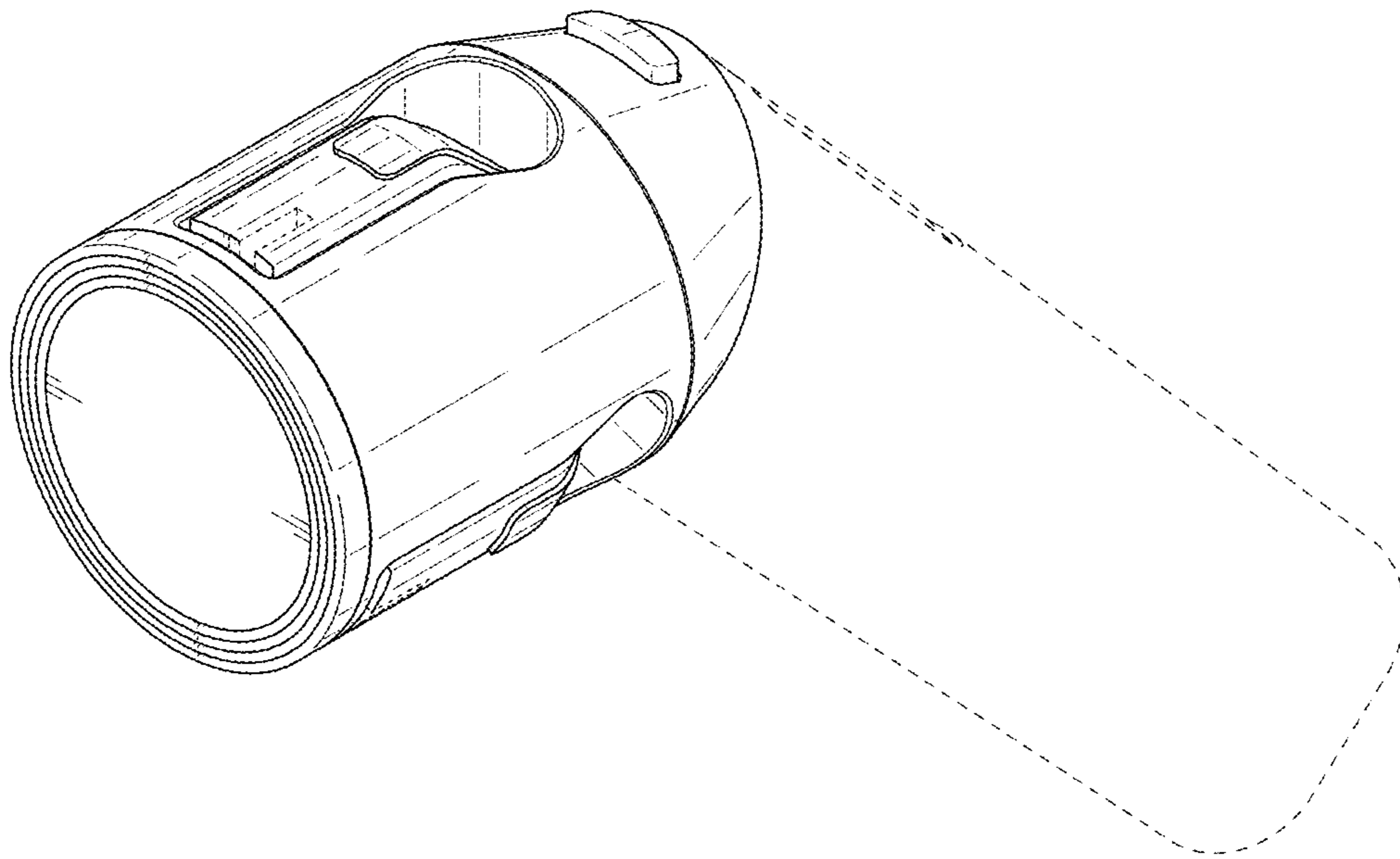


FIG. 10

