



US00D801526S

(12) **United States Design Patent** (10) **Patent No.:** **US D801,526 S**
Bulbrook (45) **Date of Patent:** **** Oct. 31, 2017**

(54) **RECTAL OBTURATOR**
(71) Applicants: **SUSSEX DEVELOPMENT SERVICES LLP**, London (GB); **THE INSTITUTE OF CANCER RESEARCH**, London (GB)
(72) Inventor: **Lee Bulbrook**, Dereham (GB)
(73) Assignees: **Sussex Development Services LLP**, London (GB); **The Institute of Cancer Research: Royal Cancer Hospital Limited**, London (GB)

6,470,204 B1 10/2002 Uzgiris et al.
D564,657 S * 3/2008 Tsai D24/135
7,526,344 B2 4/2009 Kim
D677,385 S * 3/2013 Takashima D24/141
D752,298 S * 3/2016 Stephens D24/200
D765,870 S * 9/2016 Sedic D24/200
D771,828 S * 11/2016 Sedic D24/215
2002/0040200 A1 4/2002 Takashima
2002/0143275 A1 10/2002 Sarvazyan et al.
2004/0034297 A1 2/2004 Darrow et al.
2004/0049109 A1 3/2004 Thornton
2005/0059879 A1 3/2005 Sutherland et al.
2005/0059887 A1 3/2005 Mostafavi et al.
2006/0241368 A1 10/2006 Fichtinger et al.
2007/0083080 A1 4/2007 Kim
2008/0234569 A1 9/2008 Tidhar et al.
2009/0221910 A1 9/2009 Bulbrook et al.

(**) Term: **15 Years**

(21) Appl. No.: **29/559,585**

(22) Filed: **Mar. 30, 2016**

(30) **Foreign Application Priority Data**

Sep. 30, 2015 (GB) PB4043450

(51) **LOC (10) Cl.** **24-02**

(52) **U.S. Cl.**
USPC **D24/141**

(58) **Field of Classification Search**
USPC D24/133, 135, 141, 200, 211, 215
CPC A61B 1/31
See application file for complete search history.

(56) **References Cited**

U.S. PATENT DOCUMENTS

1,712,866 A * 5/1929 Allyn A61B 1/005
600/184
4,712,536 A * 12/1987 Hawks A61B 1/31
600/184
5,404,881 A 4/1995 Cathaud et al.
D385,628 S * 10/1997 Echevarria D24/112
5,797,950 A 8/1998 Takashima
D414,871 S * 10/1999 Myers D24/135

FOREIGN PATENT DOCUMENTS

EP 0702976 3/1996
WO WO 03/070294 8/2003
WO WO 03/088833 10/2003
WO WO 2005/046792 5/2005

* cited by examiner

Primary Examiner — Richelle G Shelton

(74) *Attorney, Agent, or Firm* — Alston & Bird LLP

(57) **CLAIM**

The ornamental design for a rectal obturator, as shown and described.

DESCRIPTION

FIG. 1 is a front elevation view of a rectal obturator showing my new design;

FIG. 2 is a rear elevation view thereof;

FIG. 3 is a perspective view thereof;

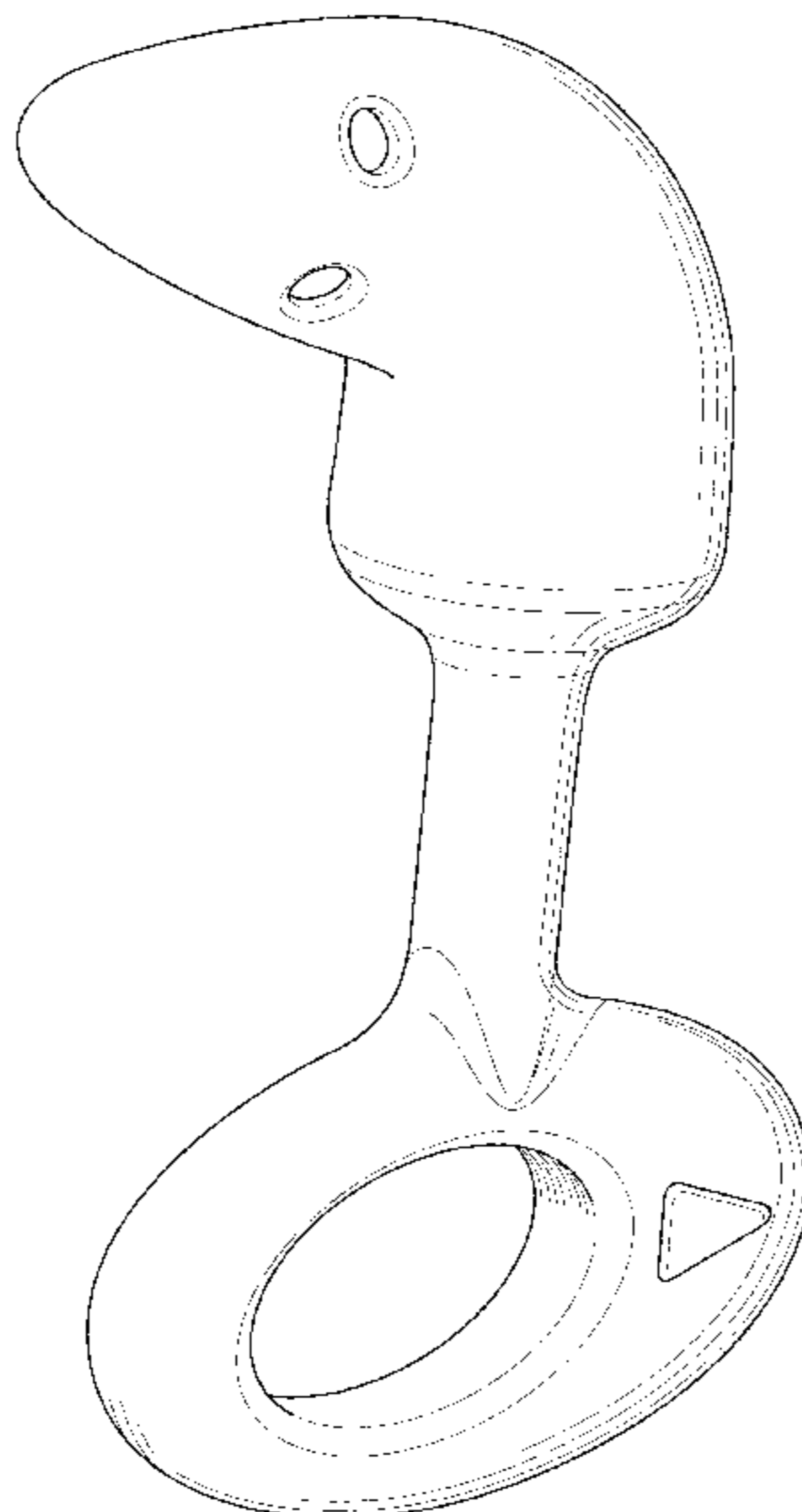
FIG. 4 is a right side elevation view thereof;

FIG. 5 is a left side elevation view thereof;

FIG. 6 is a top plan view thereof; and,

FIG. 7 is a bottom plan view thereof.

1 Claim, 7 Drawing Sheets



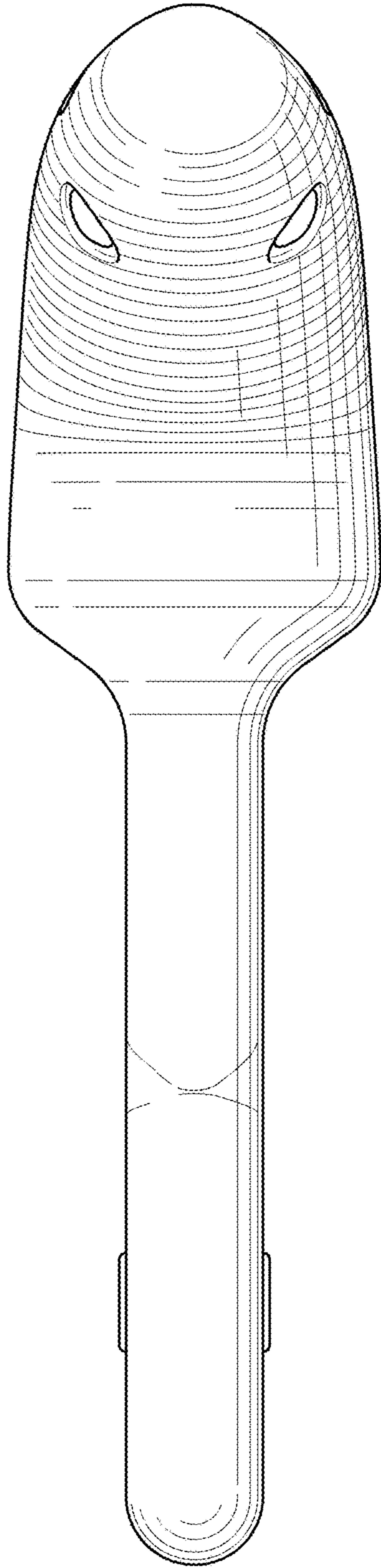


FIG. 1

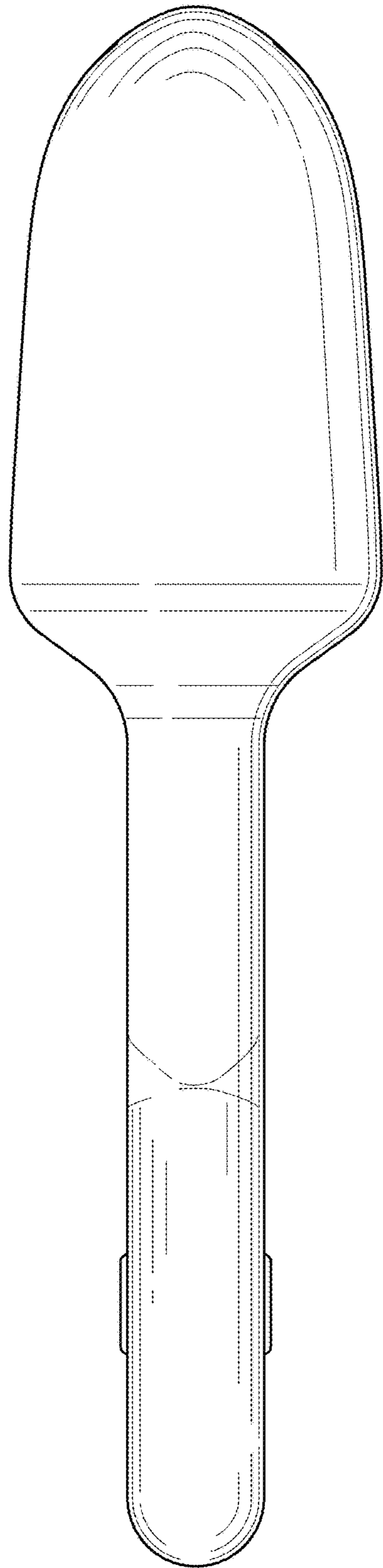


FIG. 2



FIG. 3

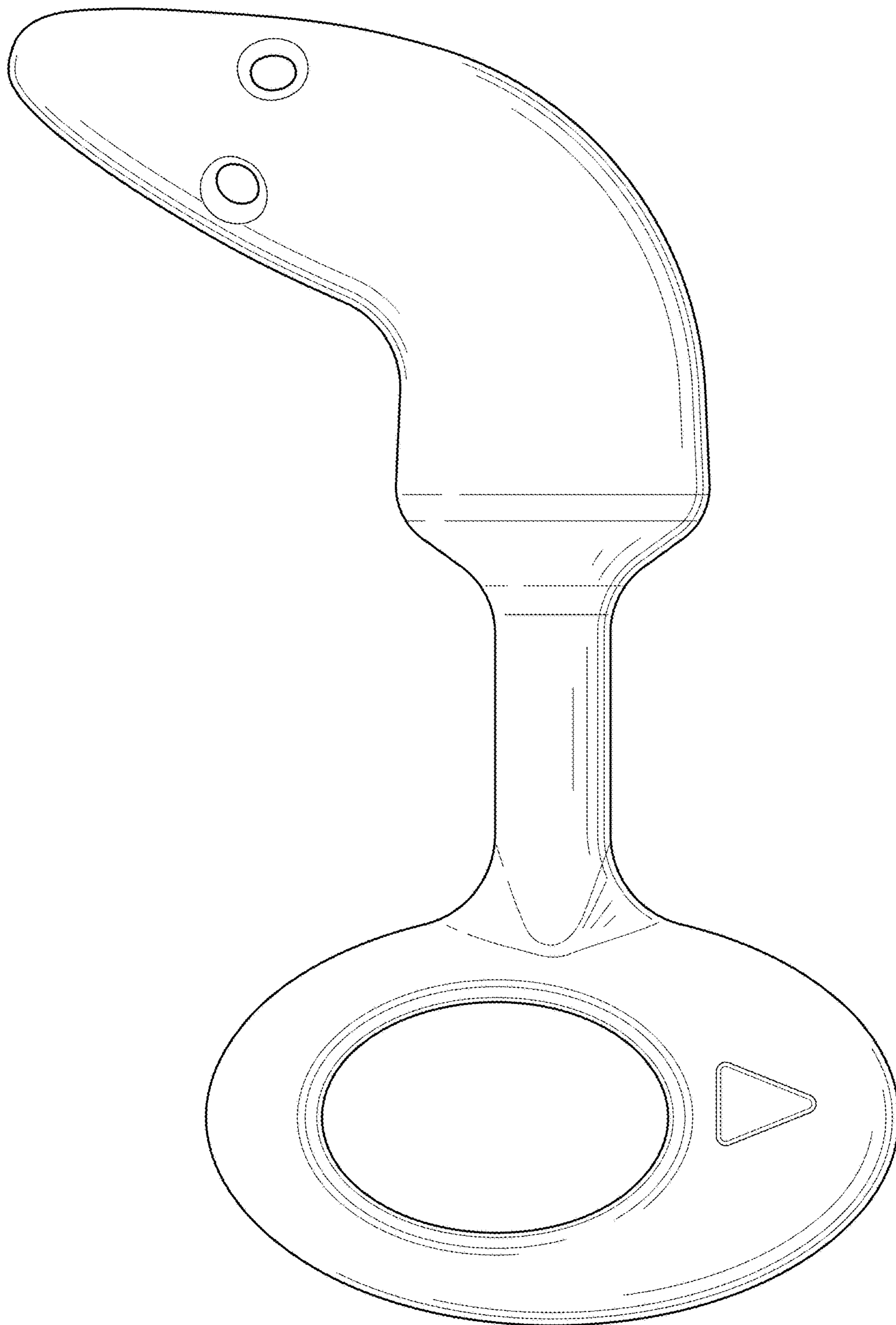


FIG. 4

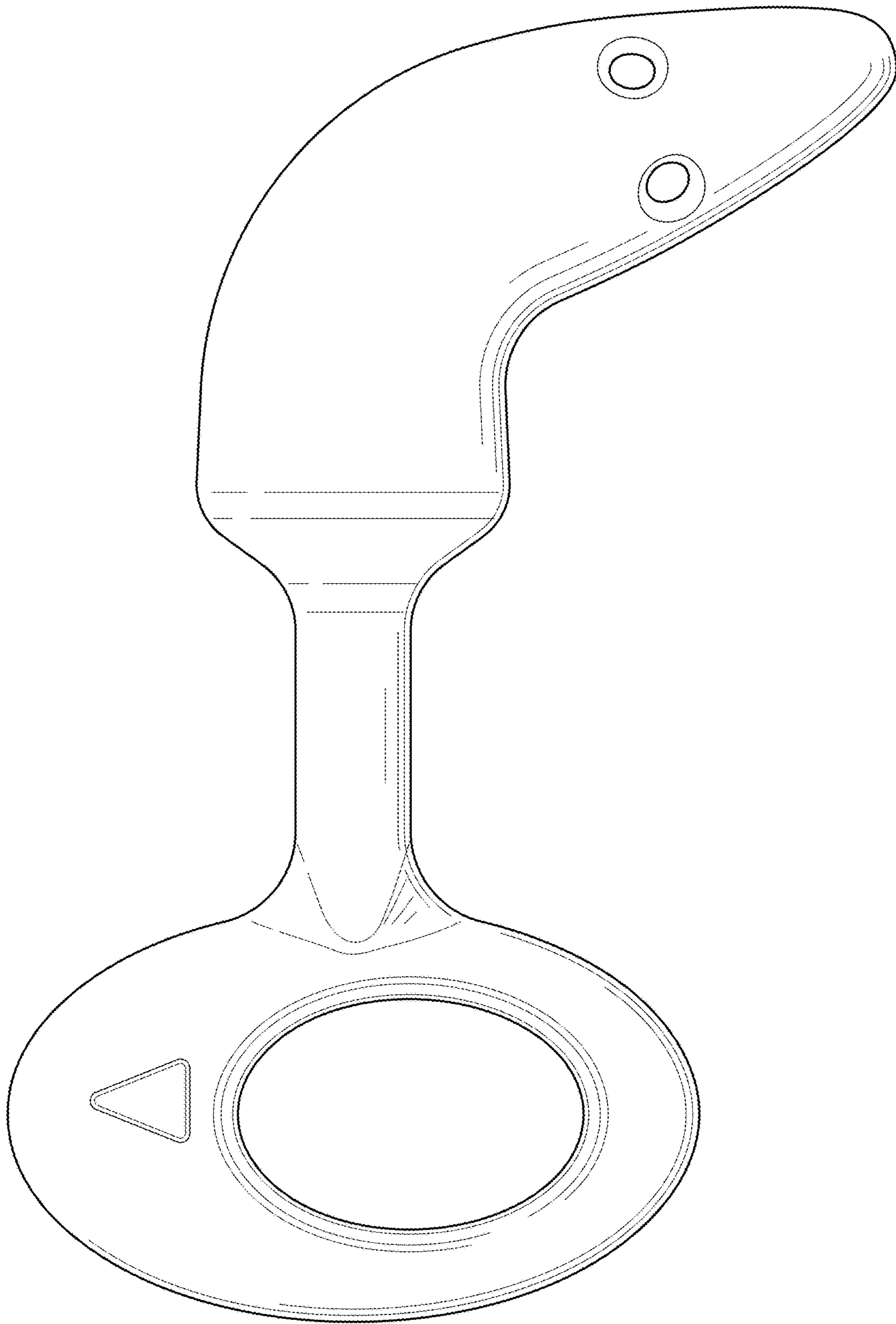


FIG. 5

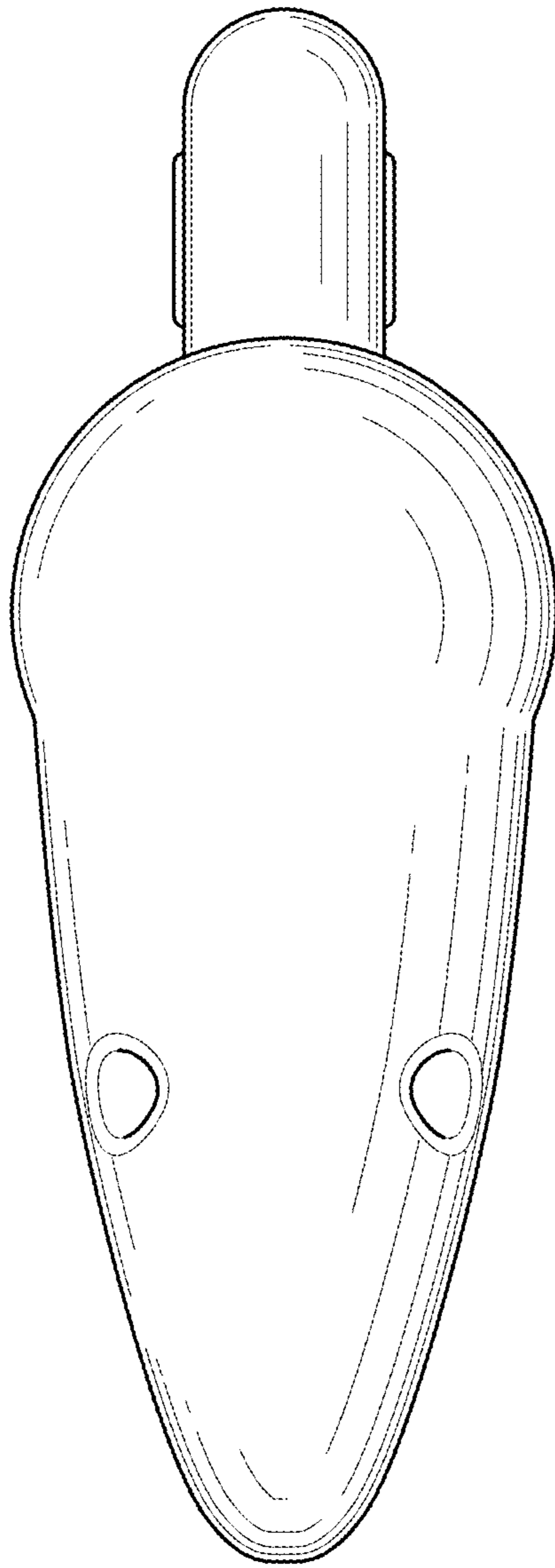


FIG. 6

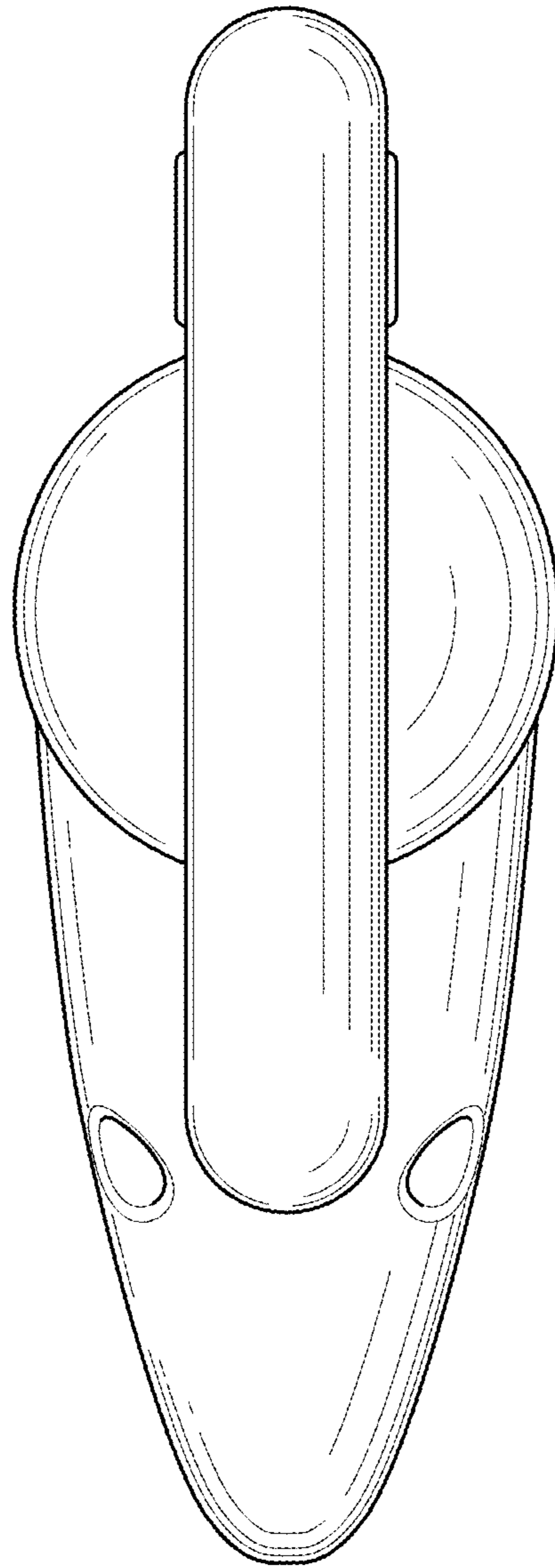


FIG. 7