



US00D801524S

(12) **United States Design Patent** (10) **Patent No.:** **US D801,524 S**
Brugger et al. (45) **Date of Patent:** **** Oct. 31, 2017**

(54) **NEEDLE GUARD**

(71) Applicant: **NxStage Medical, Inc.**, Lawrence, MA (US)

(72) Inventors: **James M. Brugger**, Newburyport, MA (US); **Christopher D. Pierson**, Southborough, MA (US); **Steven C. Alford**, Marysville, WA (US)

(73) Assignee: **NXSTAGE MEDICAL, INC.**, Lawrence, MA (US)

(**) Term: **15 Years**

(21) Appl. No.: **29/573,621**

(22) Filed: **Aug. 8, 2016**

(51) **LOC (10) Cl.** **24-02**

(52) **U.S. Cl.**
USPC **D24/130**

(58) **Field of Classification Search**
USPC D24/127–131, 112–114, 133, 186; 606/181, 185; 604/264, 523–528, 272, 604/187, 158, 164.01–164.11, 181, 184, 604/227; 600/101, 139, 143; 128/200.24, 207.14, 207.15
CPC .. A61M 25/065; A61M 5/42; A61M 25/0612; A61M 25/00; A61M 39/00; A61M 27/00; A61M 25/0043; A61M 25/0067; A61M 25/0097; A61F 2/958

See application file for complete search history.

(56) **References Cited**

U.S. PATENT DOCUMENTS

D385,350 S *	10/1997	Furnish	D24/133
D483,123 S *	12/2003	Montgomery	D24/128
D693,003 S *	11/2013	Wang	D24/130
D702,833 S *	4/2014	Cecchi	D24/128
D736,917 S *	8/2015	Katsura	D24/108
D742,510 S *	11/2015	Wagner	D24/133
D762,302 S *	7/2016	Dunn	D24/133
D783,813 S *	4/2017	Duncan	D24/128

* cited by examiner

Primary Examiner — David Muller

(74) *Attorney, Agent, or Firm* — Potomac Law Group, PLLC; Mark Catan

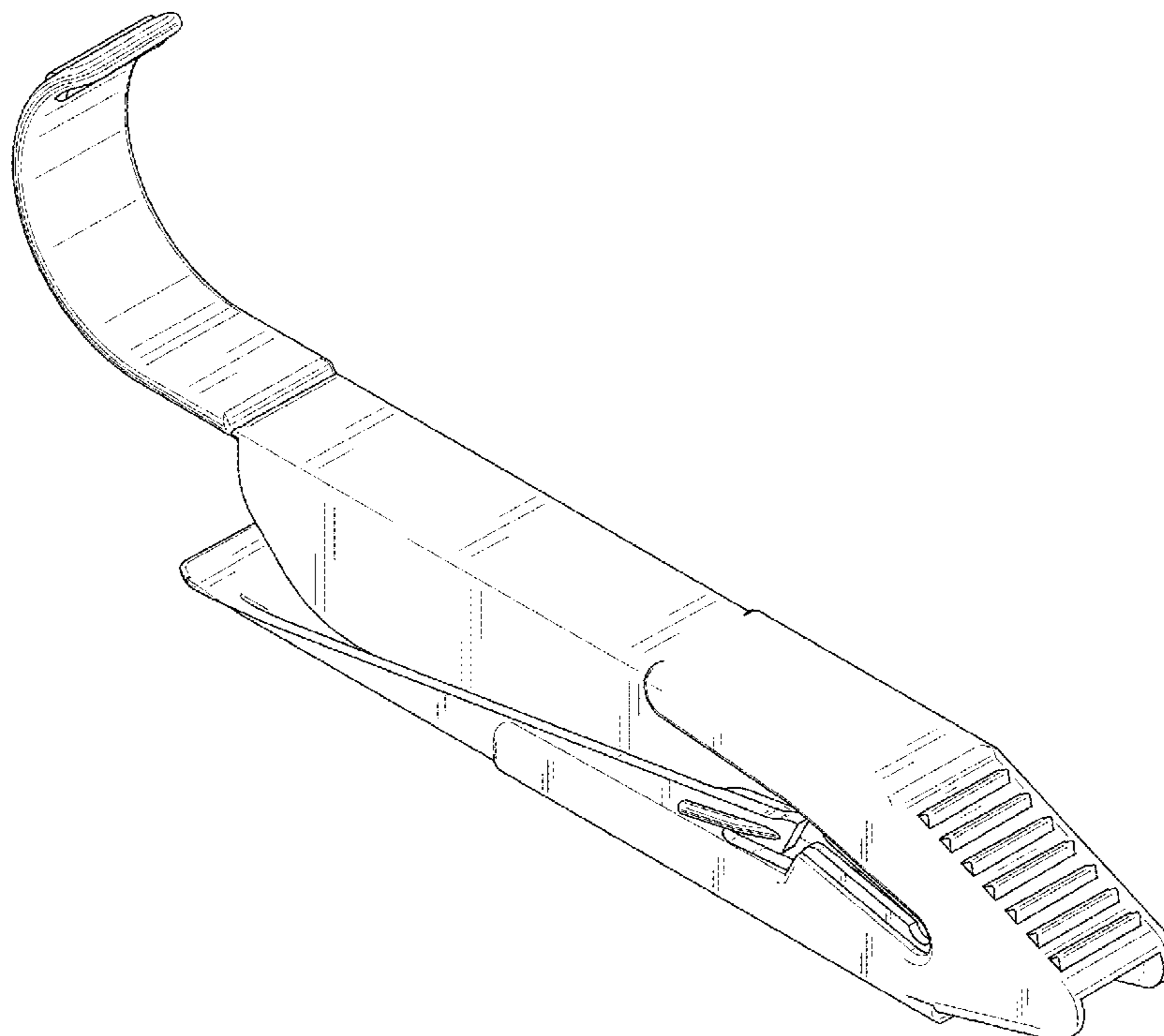
(57) **CLAIM**

The ornamental design for a needle guard, as shown and described.

DESCRIPTION

FIG. 1 is a perspective view of the needle guard, showing the new design;
FIG. 2 is a left side elevation view thereof;
FIG. 3 is a right side elevation thereof;
FIG. 4 is a rear elevation view thereof;
FIG. 5 is a front elevation view thereof;
FIG. 6 is a top plan view thereof; and,
FIG. 7 is a bottom plan view thereof.

1 Claim, 5 Drawing Sheets



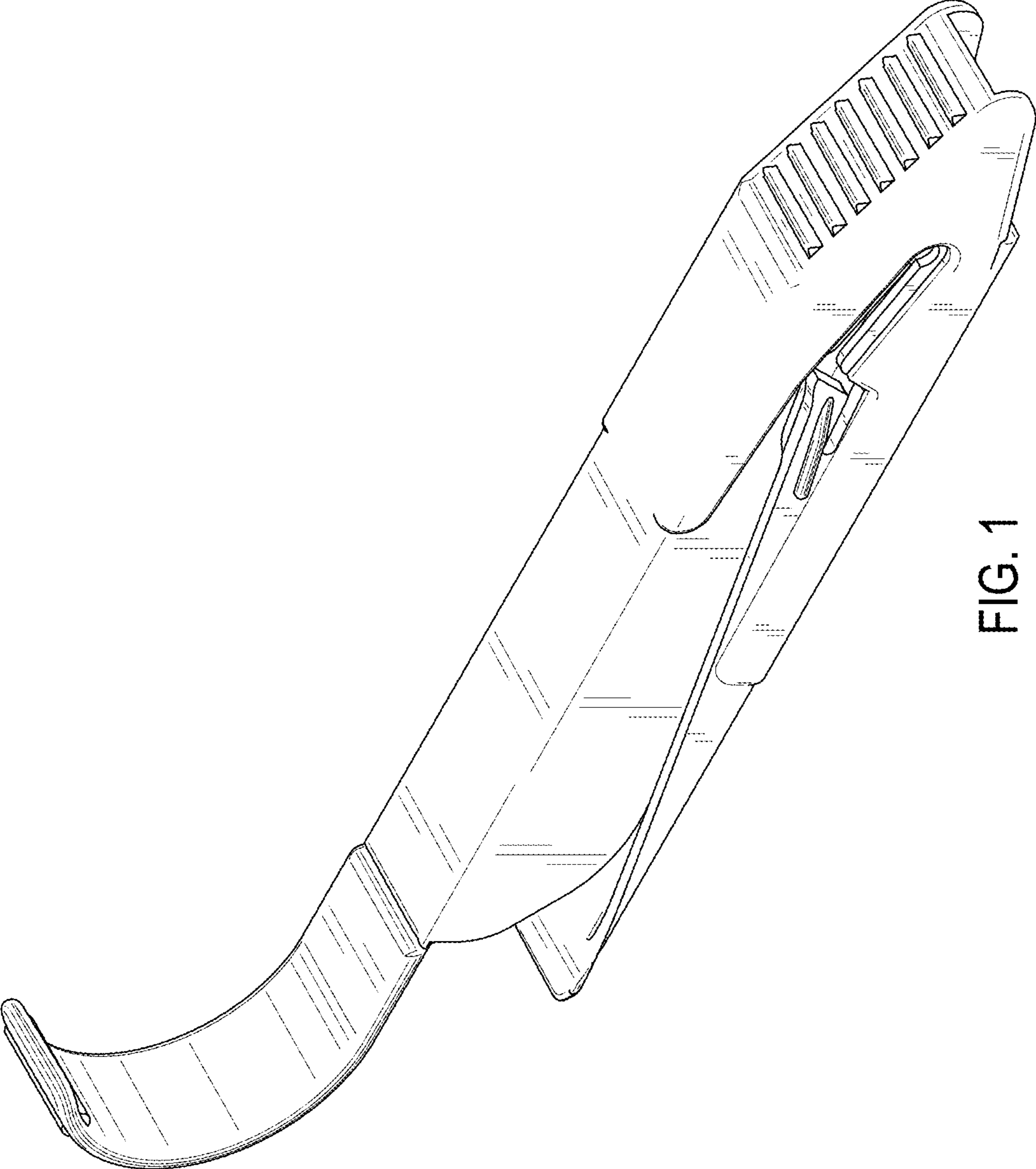


FIG. 1

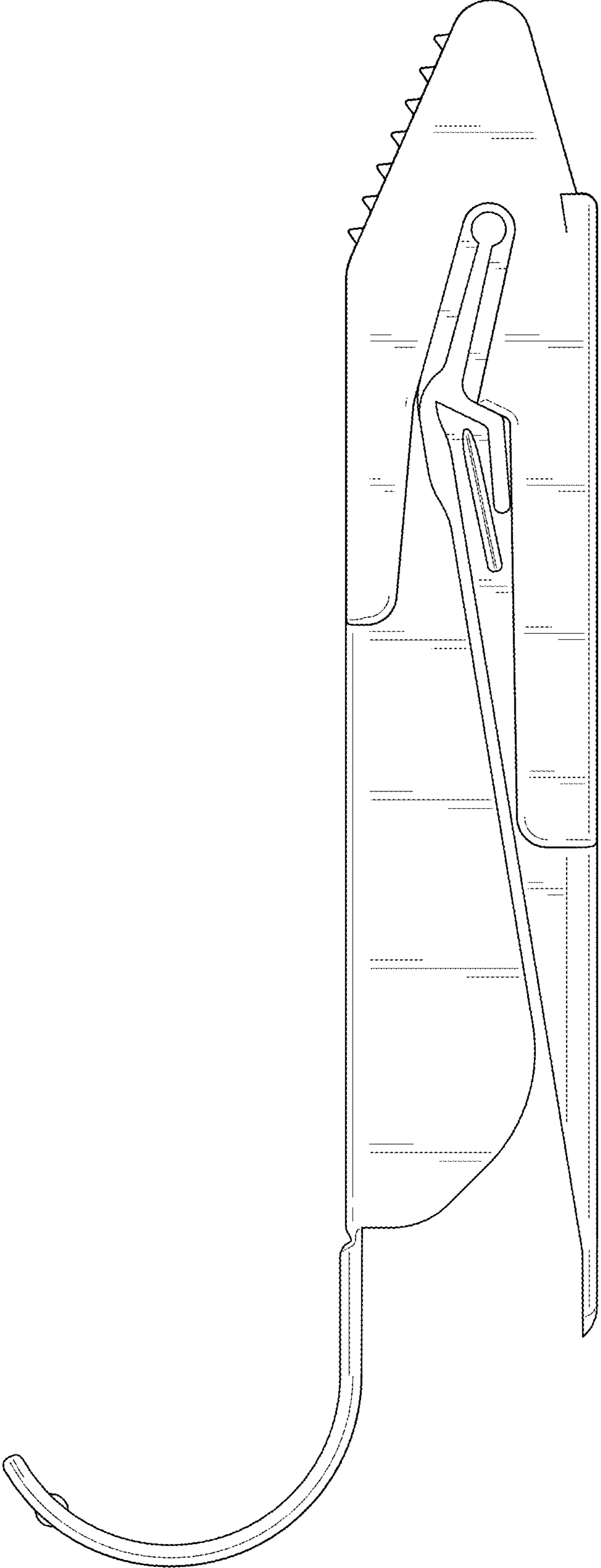


FIG. 2

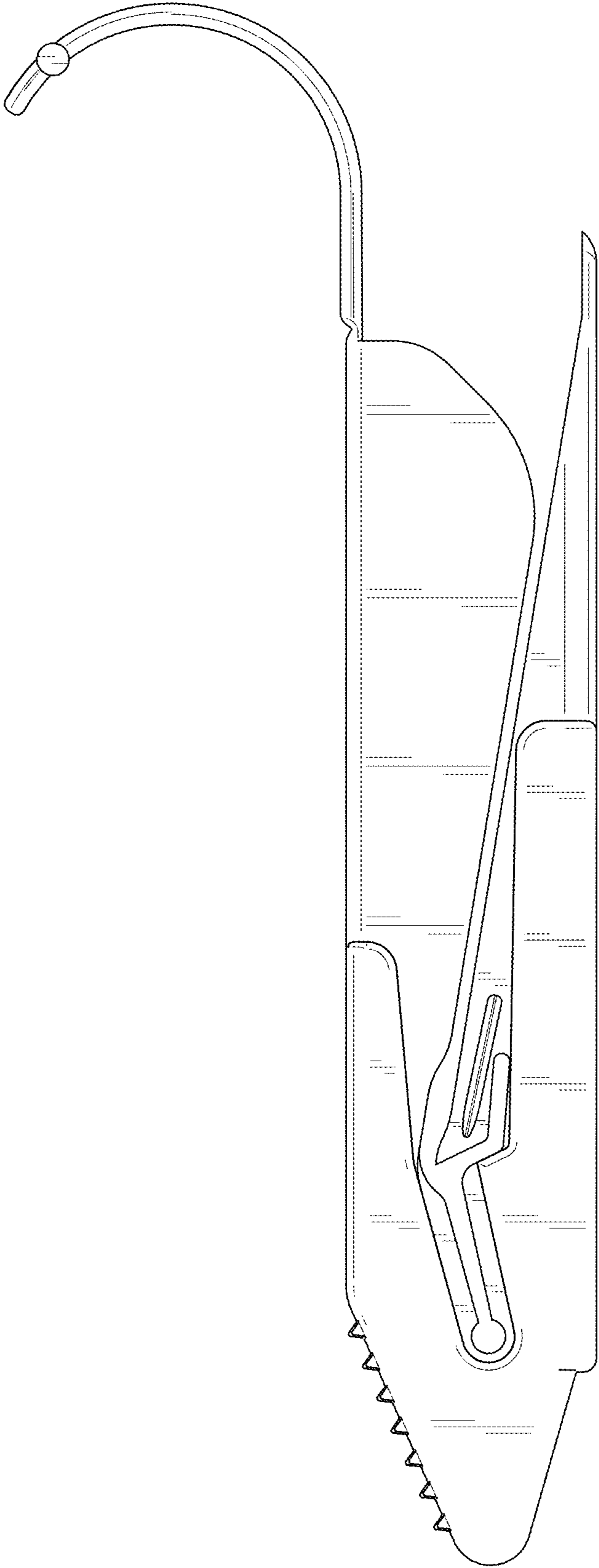


FIG. 3

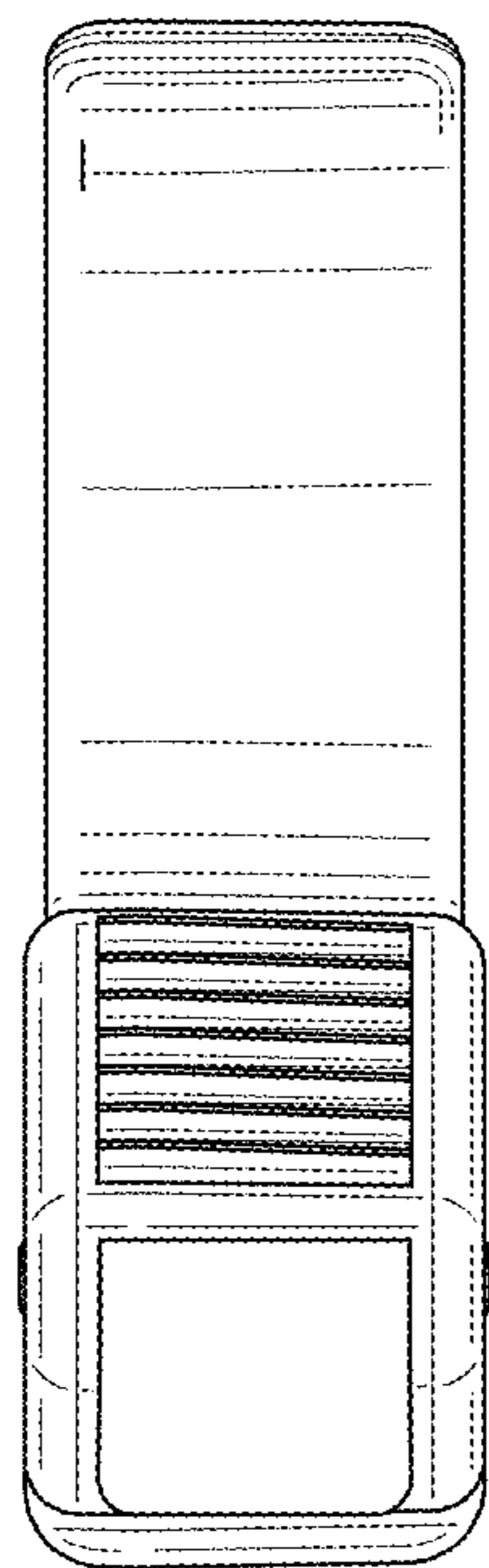


FIG. 4

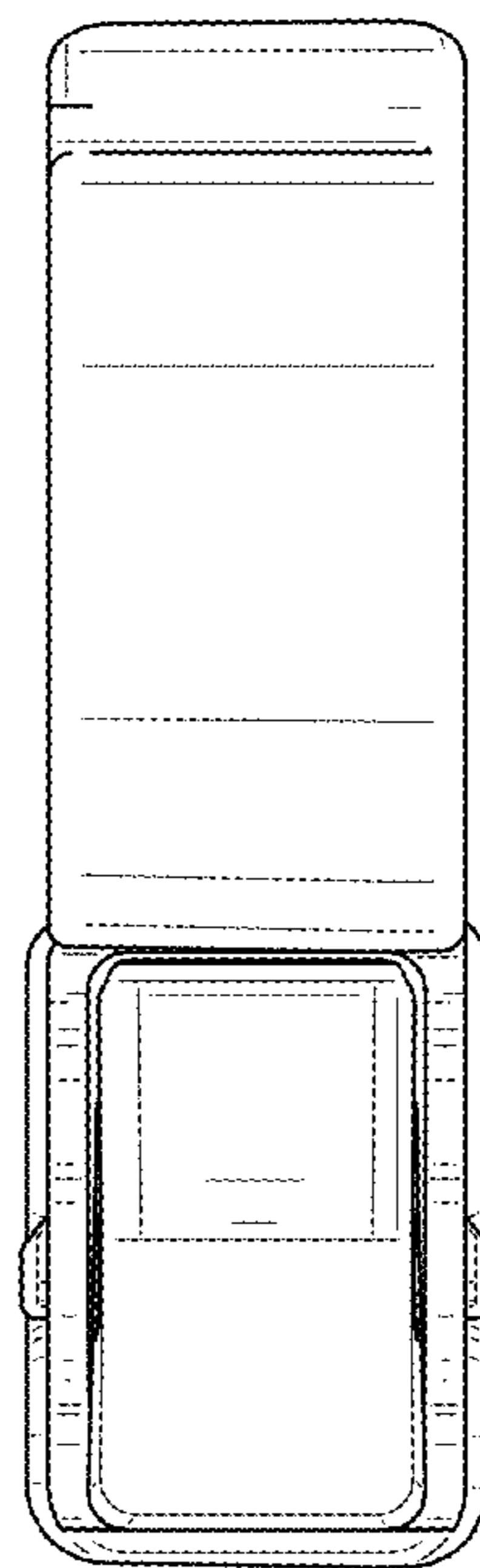


FIG. 5

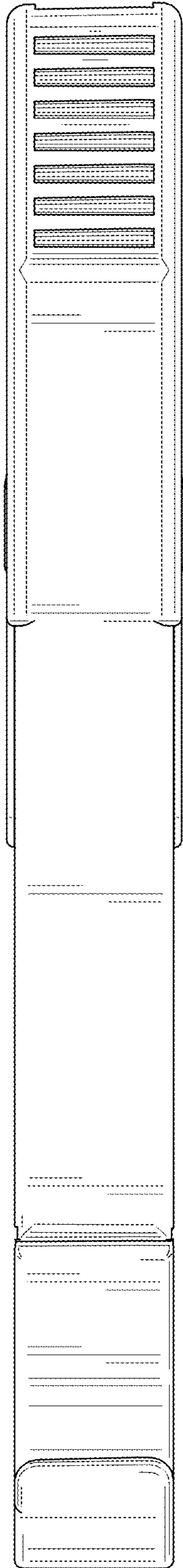


FIG. 6

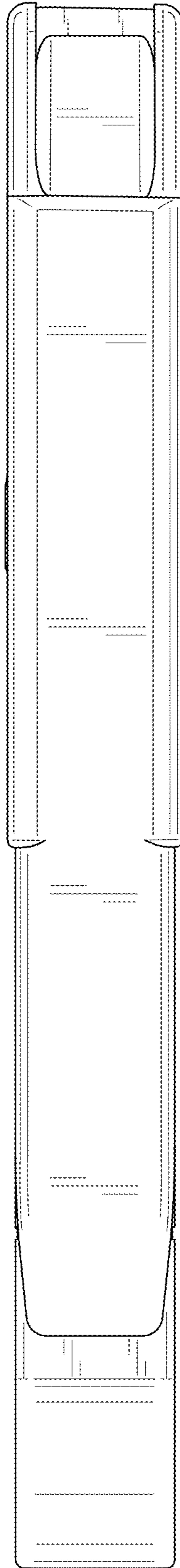


FIG. 7