



US00D801523S

(12) **United States Design Patent**
Khouri

(10) **Patent No.:** **US D801,523 S**

(45) **Date of Patent:** **** Oct. 31, 2017**

(54) **NEEDLE CARTRIDGE**

(71) Applicant: **Roger Khouri**, Key Biscayne, FL (US)

(72) Inventor: **Roger Khouri**, Key Biscayne, FL (US)

(**) Term: **15 Years**

(21) Appl. No.: **29/552,403**

(22) Filed: **Jan. 21, 2016**

(51) **LOC (10) Cl.** **24-01**

(52) **U.S. Cl.**
USPC **D24/130**

(58) **Field of Classification Search**
USPC D24/130, 112, 113, 146, 147; 604/264,
604/206, 47, 197, 27, 272; 206/365;
606/167, 182
CPC A61B 17/0469; A61B 17/0482; A61B
2017/2927; B41J 2/17513
See application file for complete search history.

(56) **References Cited**

U.S. PATENT DOCUMENTS

2,550,832	A *	5/1951	Loeffler	A45D 34/04 601/154
4,483,925	A *	11/1984	Noack	B01L 3/5085 141/110
D345,017	S *	3/1994	Fischer	D24/128
D349,773	S *	8/1994	Malin	D24/216
D373,633	S *	9/1996	La Motte	436/809
D390,420	S *	2/1998	Rapaz	D7/590
D426,301	S *	6/2000	Stromblad	D24/119
D432,648	S *	10/2000	Stromblad	D24/119
D441,256	S *	5/2001	Pellegrino	D7/509
D452,740	S *	1/2002	Brennan	D24/216
D462,766	S *	9/2002	Jacobs	D24/146
D475,795	S *	6/2003	Johnson	D24/216
6,591,124	B2 *	7/2003	Sherman	A61B 5/14514 600/345
D546,966	S *	7/2007	Kajiyama	D24/224
D605,303	S *	12/2009	Monks	D24/224

D639,430	S *	6/2011	Yoo	D24/146
D683,044	S *	5/2013	Klein	D24/224
8,560,059	B2 *	10/2013	Hoarau	A61B 5/0059 604/20
D726,316	S *	4/2015	Marquez	D24/133
D731,056	S *	6/2015	Tsai	D24/146
D744,857	S *	12/2015	Gieske	D9/435
D767,782	S *	9/2016	Cao	D24/216
2004/0186419	A1 *	9/2004	Cho	A61M 37/0015 604/22
2013/0041330	A1 *	2/2013	Matsudo	A61K 9/0021 604/272
2015/0032140	A1	1/2015	Khouri		
2015/0032143	A1	1/2015	Khouri		
2015/0112283	A1 *	4/2015	Tagami	A61M 37/0015 604/272

(Continued)

Primary Examiner — Karen Kearney
Assistant Examiner — Nathan Johnston
(74) *Attorney, Agent, or Firm* — Finnegan, Henderson,
Farabow, Garrett & Dunner, LLP

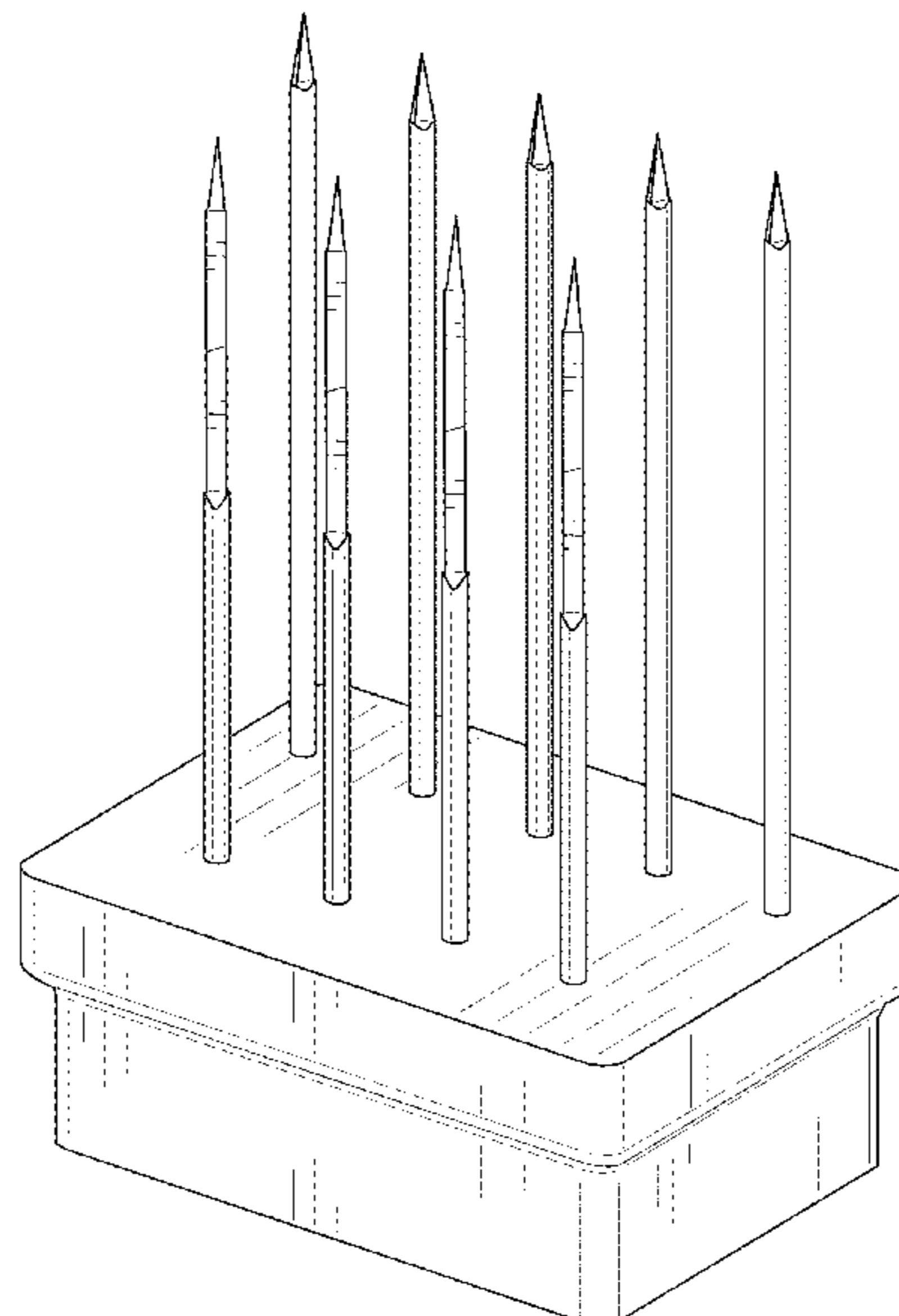
(57) **CLAIM**

The ornamental design for a needle cartridge, as shown and described.

DESCRIPTION

FIG. 1 is a top, front, right perspective view of a needle cartridge, showing my new design;
FIG. 2 is a bottom, front, left perspective view thereof;
FIG. 3 is a front elevation view thereof;
FIG. 4 is a rear elevation view thereof;
FIG. 5 is a right side view thereof;
FIG. 6 is a left side view thereof;
FIG. 7 is a top plan view thereof; and,
FIG. 8 is a bottom plan view thereof.
The broken lines of even length shown in the drawings illustrate portions of the needle cartridge that form no part of the claimed design.

1 Claim, 8 Drawing Sheets



(56)

References Cited

U.S. PATENT DOCUMENTS

2015/0157450 A1 6/2015 Khouri

* cited by examiner

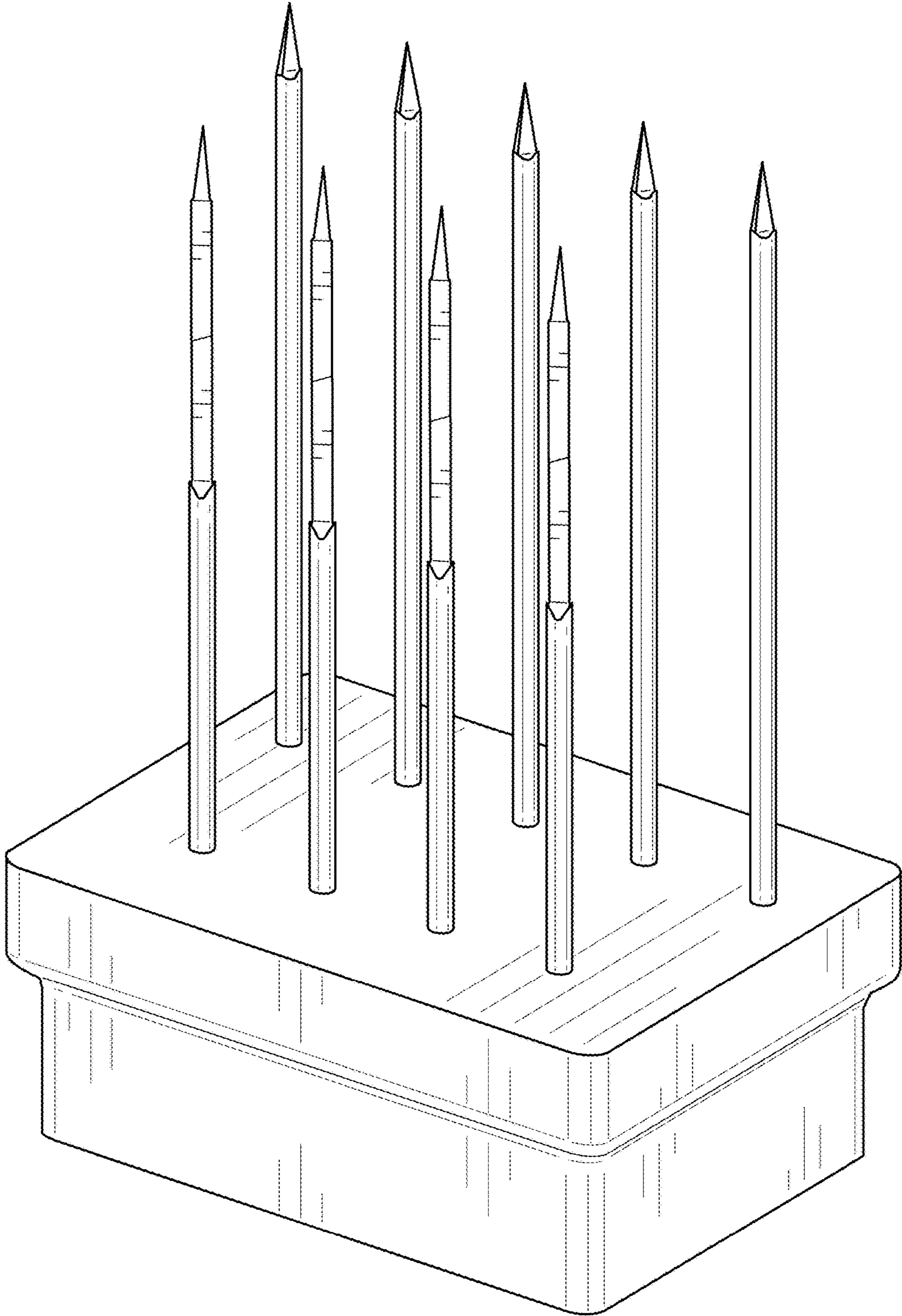


FIG. 1

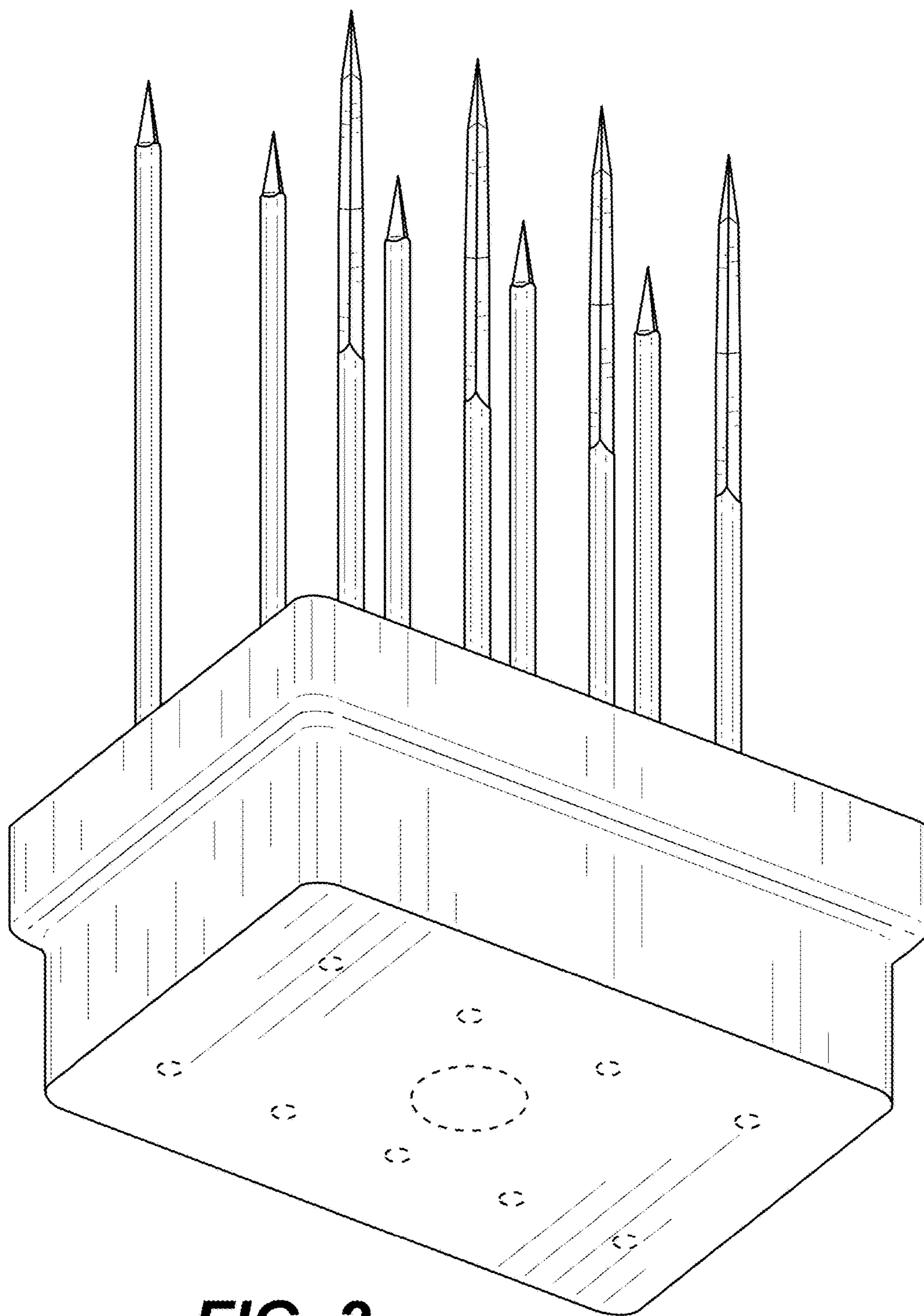


FIG. 2

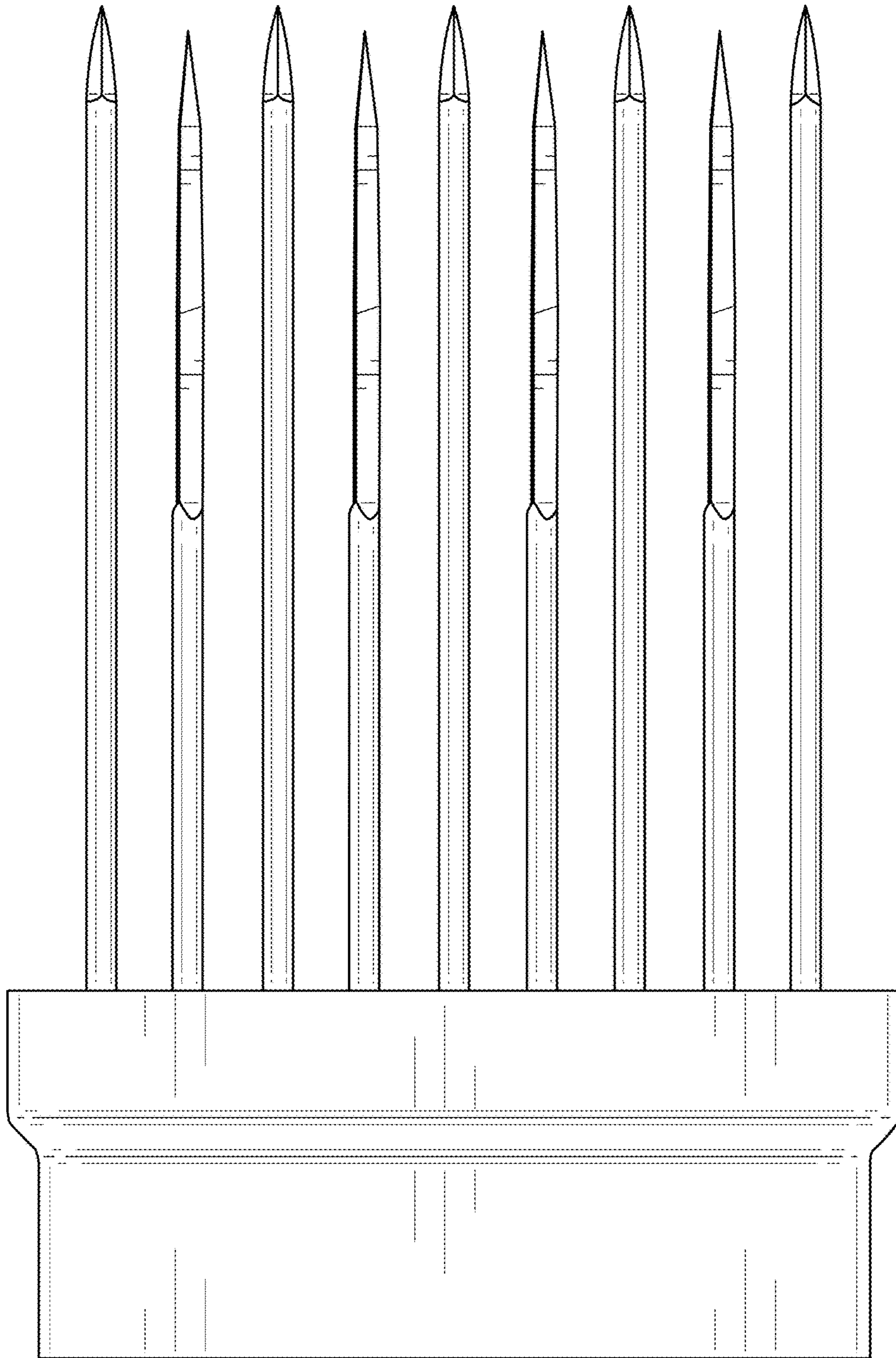


FIG. 3

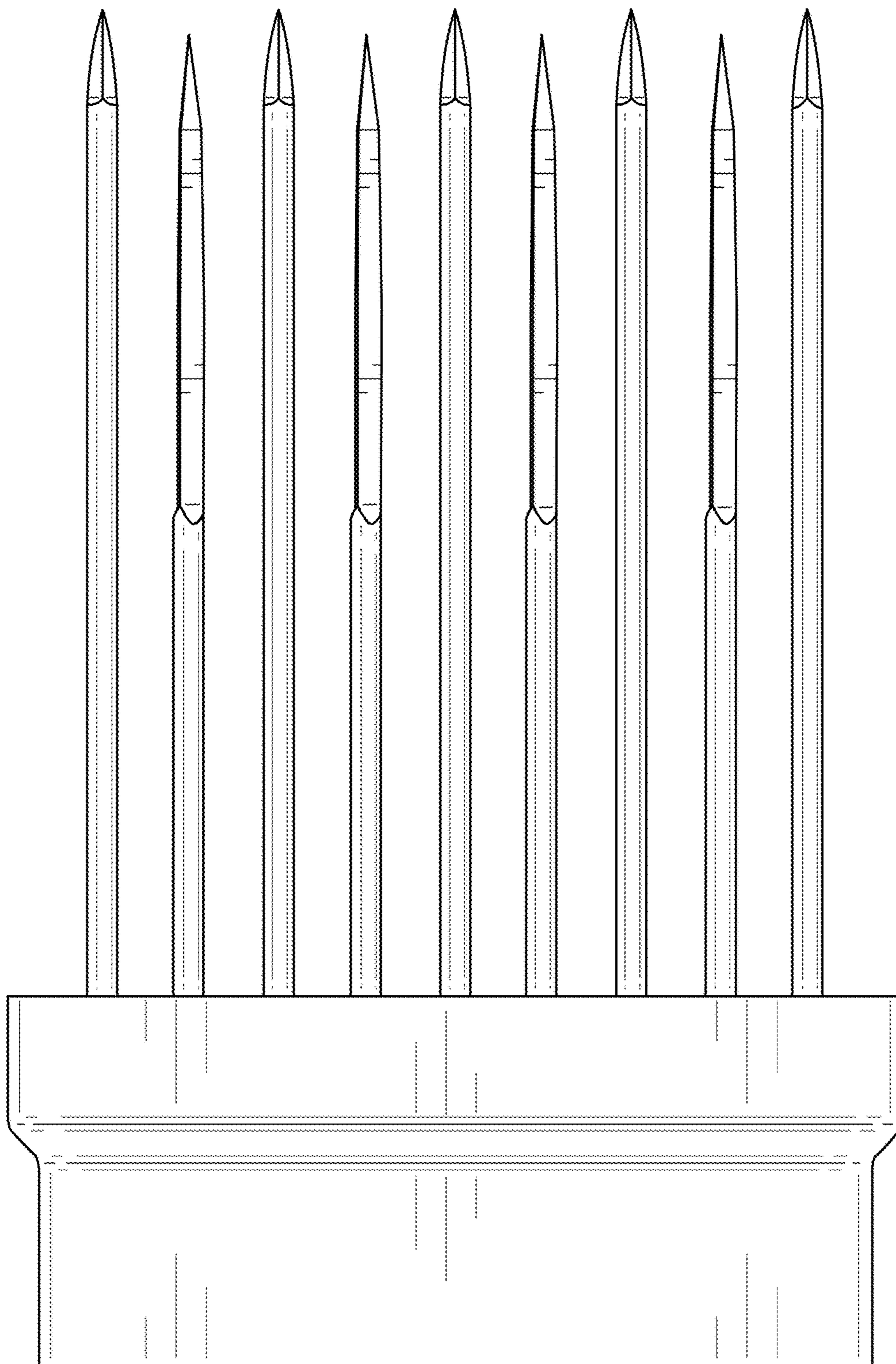


FIG. 4

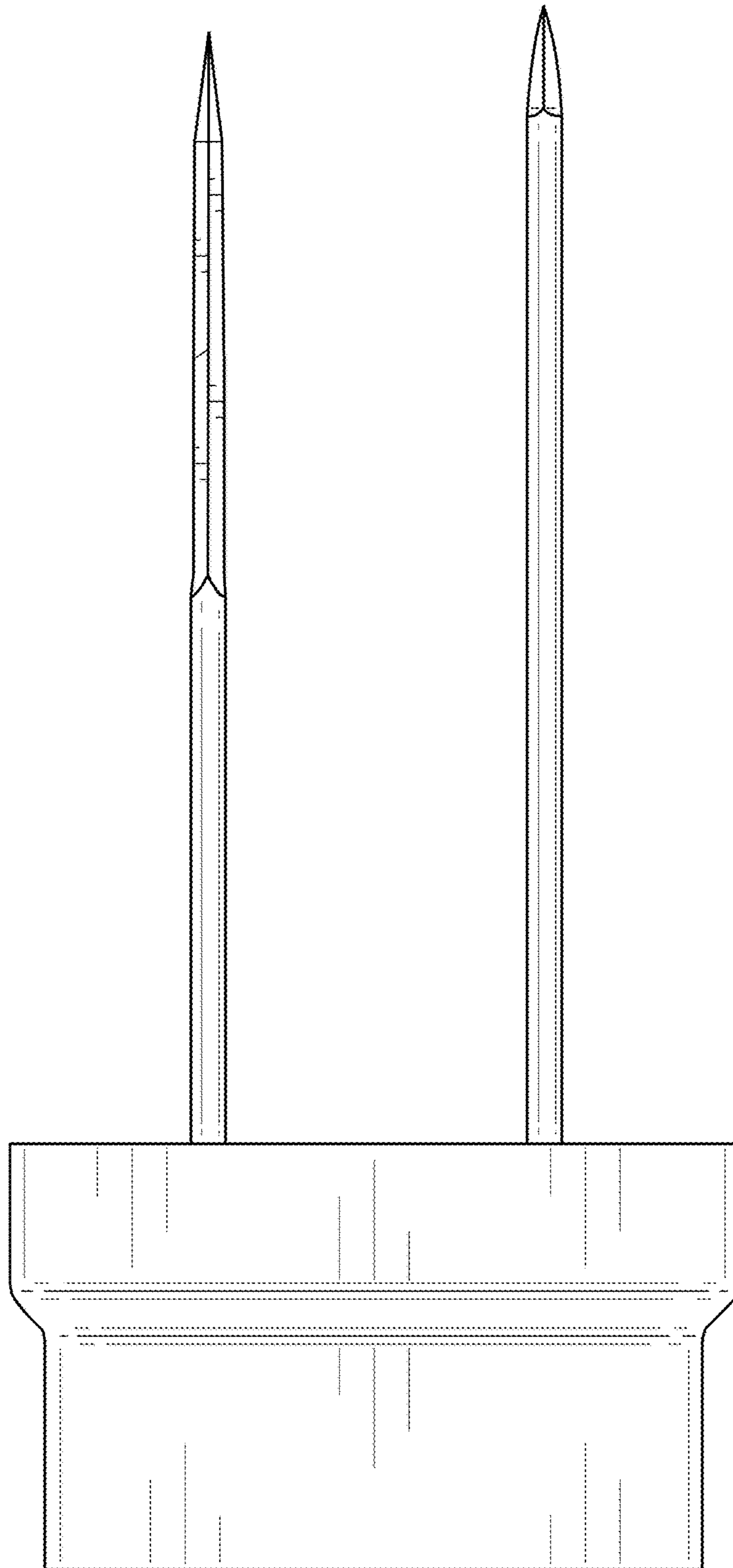


FIG. 5

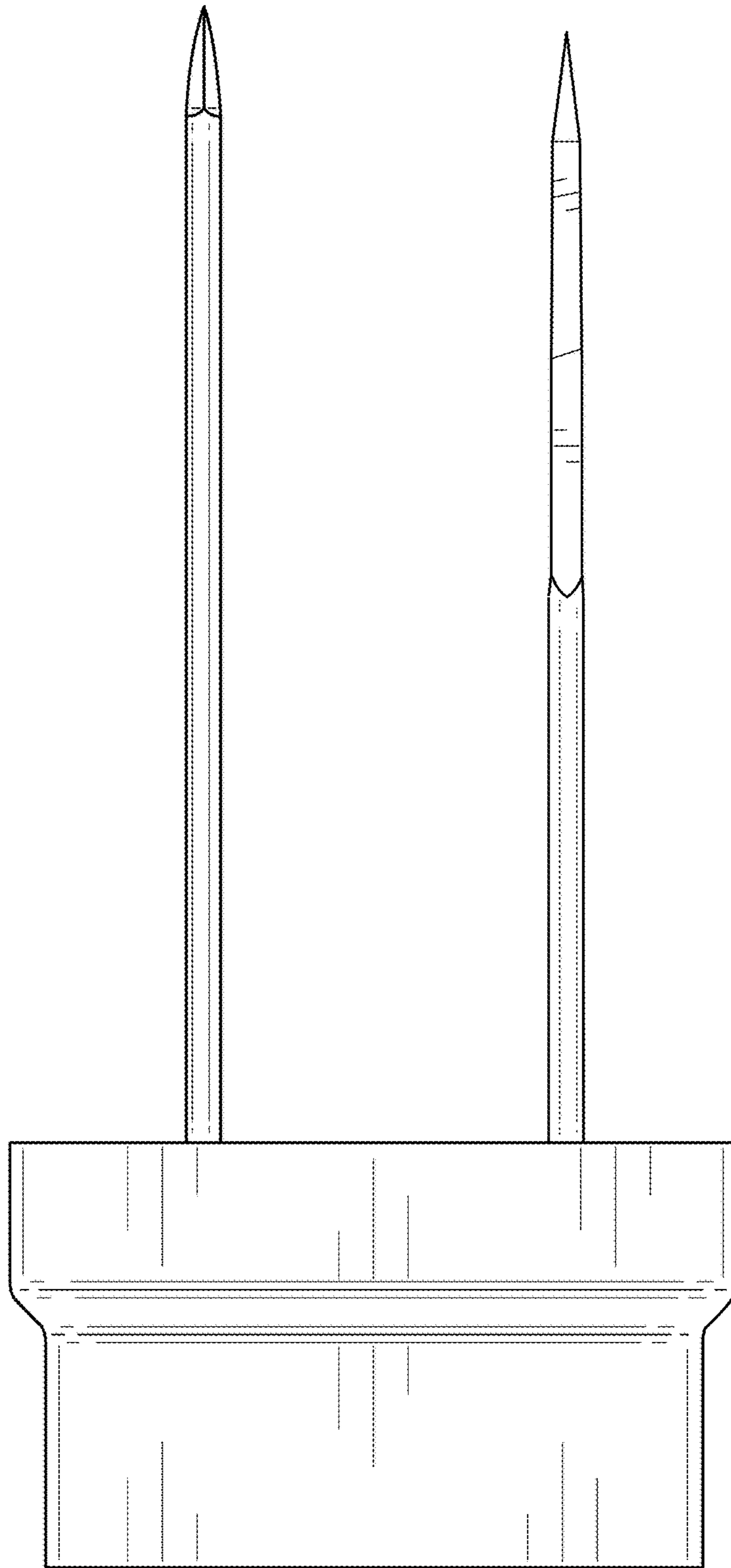


FIG. 6

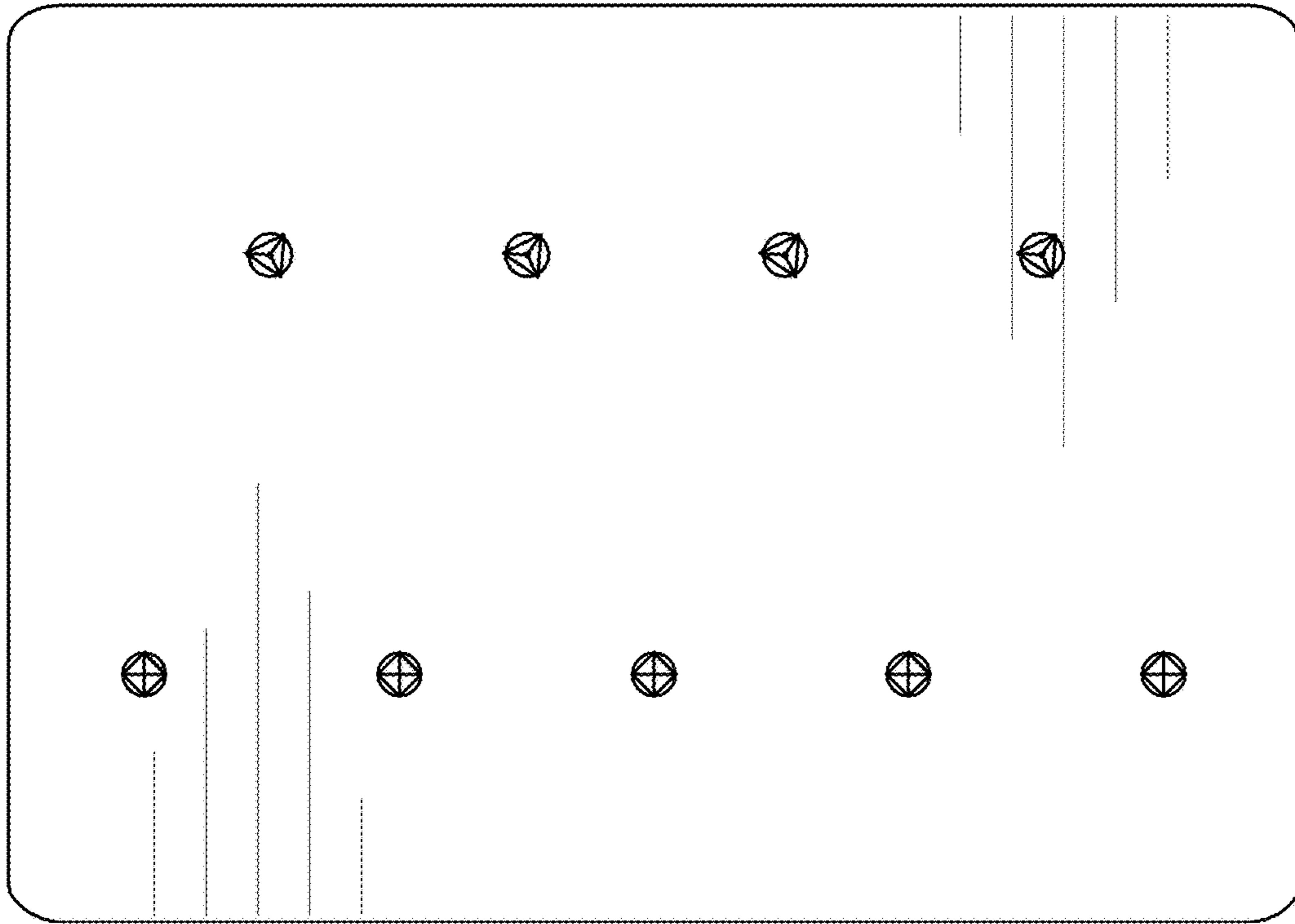


FIG. 7

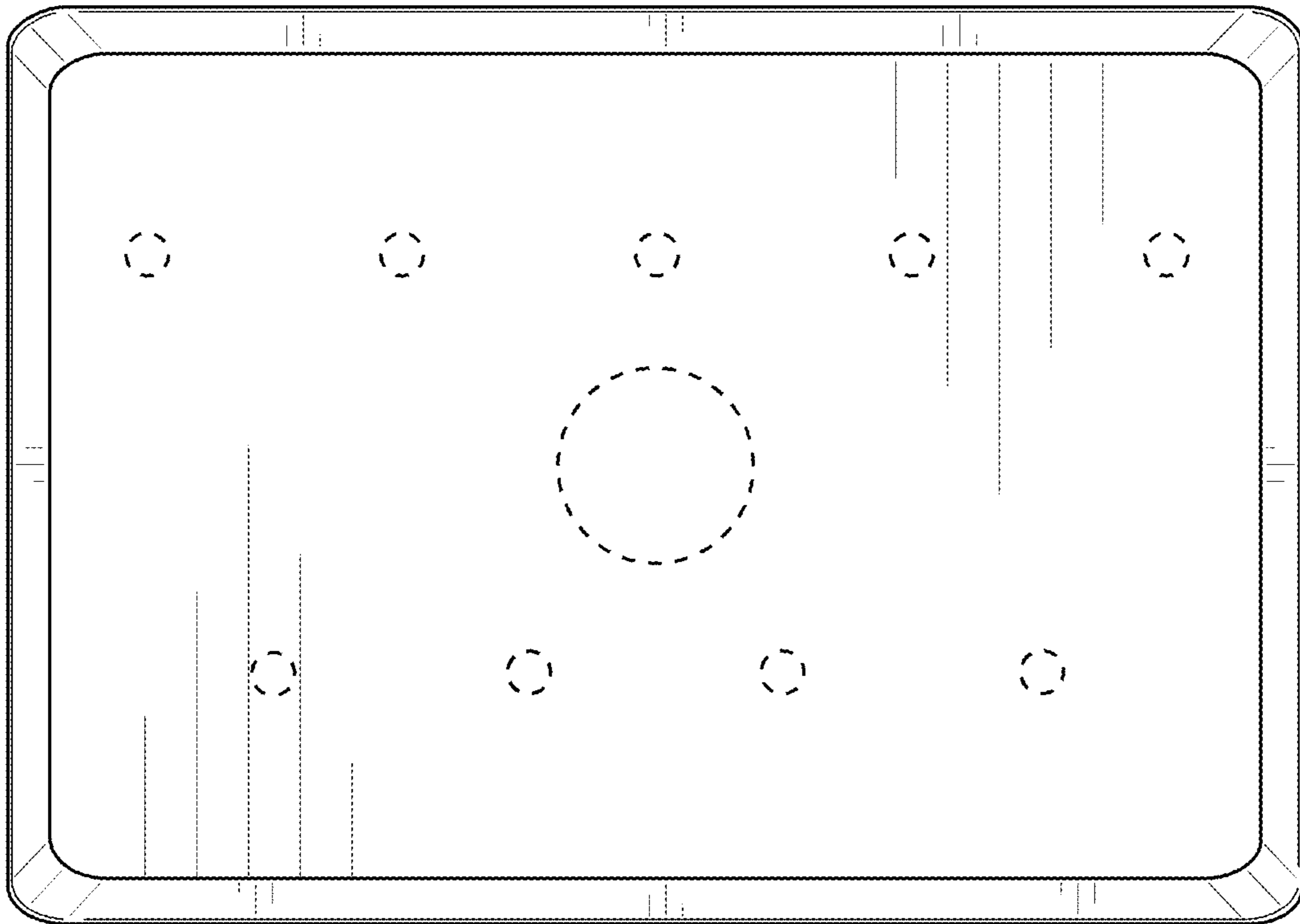


FIG. 8