



US00D801520S

(12) **United States Design Patent** (10) **Patent No.:** **US D801,520 S**
Kerber et al. (45) **Date of Patent:** **** *Oct. 31, 2017**

(54) **BASE FOR NASAL INTERFACE**

(71) Applicant: **inSleep Technologies, LLC**, Weston, FL (US)

(72) Inventors: **Martin W. Kerber**, Eden Prairie, MN (US); **Nathaniel V. Tran**, Lakeville, MN (US); **Craig L. Peterson**, Carver, MN (US)

(73) Assignee: **inSleep Technologies, LLC**, Weston, FL (US)

(*) Notice: This patent is subject to a terminal disclaimer.

(**) Term: **14 Years**

(21) Appl. No.: **29/523,295**

(22) Filed: **Apr. 8, 2015**

Related U.S. Application Data

(63) Continuation-in-part of application No. 14/662,798, filed on Mar. 19, 2015, now abandoned, which is a continuation of application No. 13/280,650, filed on Oct. 25, 2011, now Pat. No. 8,985,115, application No. 29/523,295, which is a continuation-in-part of application No. 13/289,178, filed on Nov. 4, 2011, now abandoned, application No. 29/523,295, which is a continuation-in-part of application No. 13/534,984, filed on Jun. 27, 2012, now Pat. No. 9,272,110.

(Continued)

(51) **LOC (10) Cl.** **29-02**

(52) **U.S. Cl.**
USPC **D24/110.1**

(58) **Field of Classification Search**
USPC D24/110-110.5, 127, 164; D29/108
CPC A61M 16/0622; A61M 16/00; A61M 16/0616; A61M 2205/59; A61M 16/06; A61M 16/0666; A61M 16/0633; A61M 16/0816; A61B 5/4818

See application file for complete search history.

(56) **References Cited**

U.S. PATENT DOCUMENTS

6,135,109 A * 10/2000 Blasdel A61M 16/0616
128/206.21

D627,059 S * 11/2010 Wood D24/110.5

(Continued)

Primary Examiner — Barbara Fox

Assistant Examiner — Lilyana Bekic

(74) *Attorney, Agent, or Firm* — Kevin P. Crosby; GrayRobinson, P.A.

(57) **CLAIM**

The ornamental design for base for nasal interface, as shown and described.

DESCRIPTION

FIG. 1 is a right front top perspective view of a first embodiment of a base for nasal interface showing our new design.

FIG. 2 is a front elevational view thereof.

FIG. 3 is a rear elevational view thereof.

FIG. 4 is a left side elevational view thereof.

FIG. 5 is a right side elevational view thereof.

FIG. 6 is a top plan view thereof.

FIG. 7 is bottom plan view thereof.

FIG. 8 is a rear bottom perspective view thereof.

FIG. 9 is a front top perspective view thereof.

FIG. 10 is a right front top perspective view of a second embodiment of the base for nasal interface.

FIG. 11 is a front elevational view thereof.

FIG. 12 is a rear elevational view thereof.

FIG. 13 is a left side elevational view thereof.

FIG. 14 is a right side elevational view thereof.

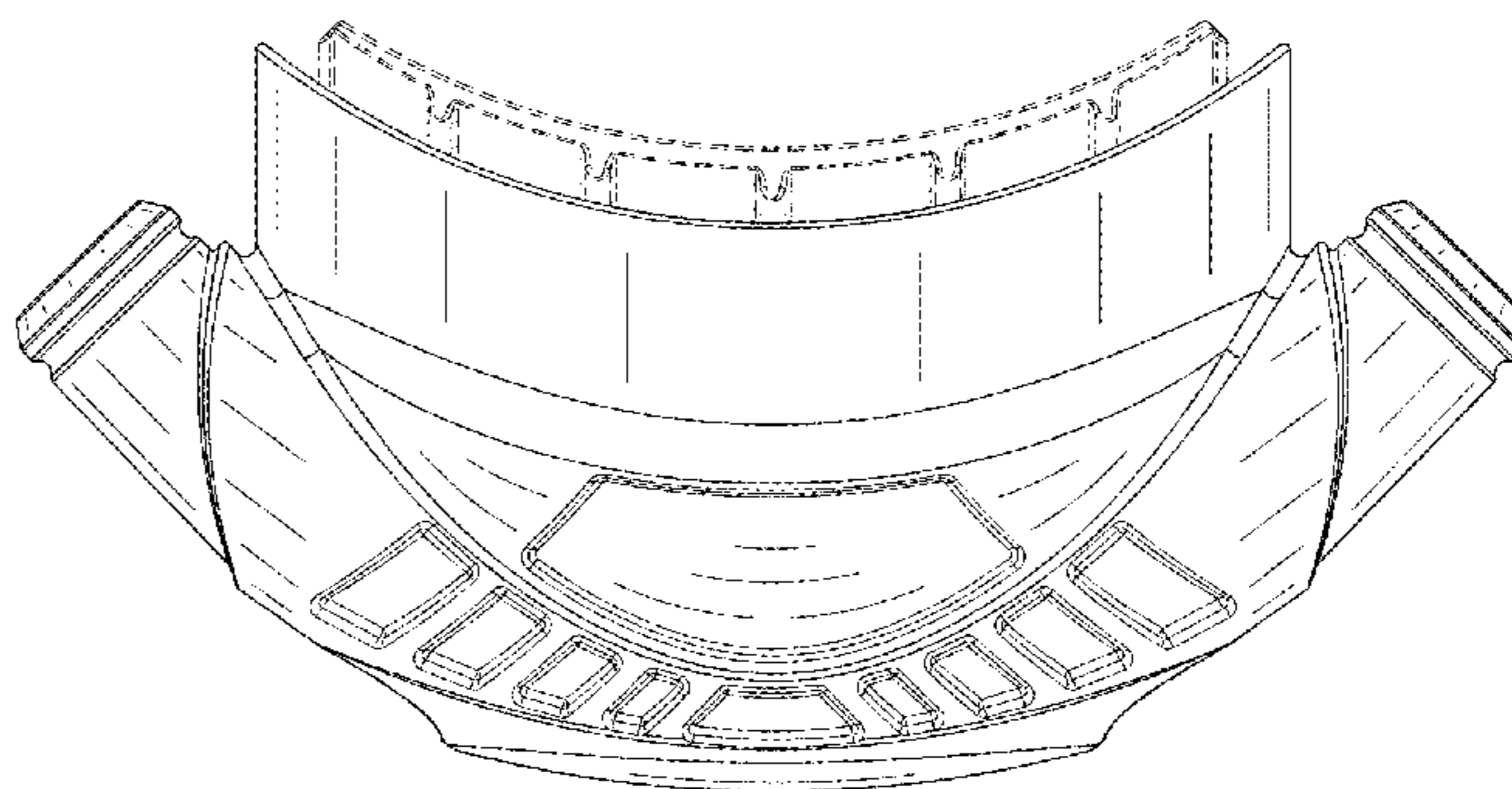
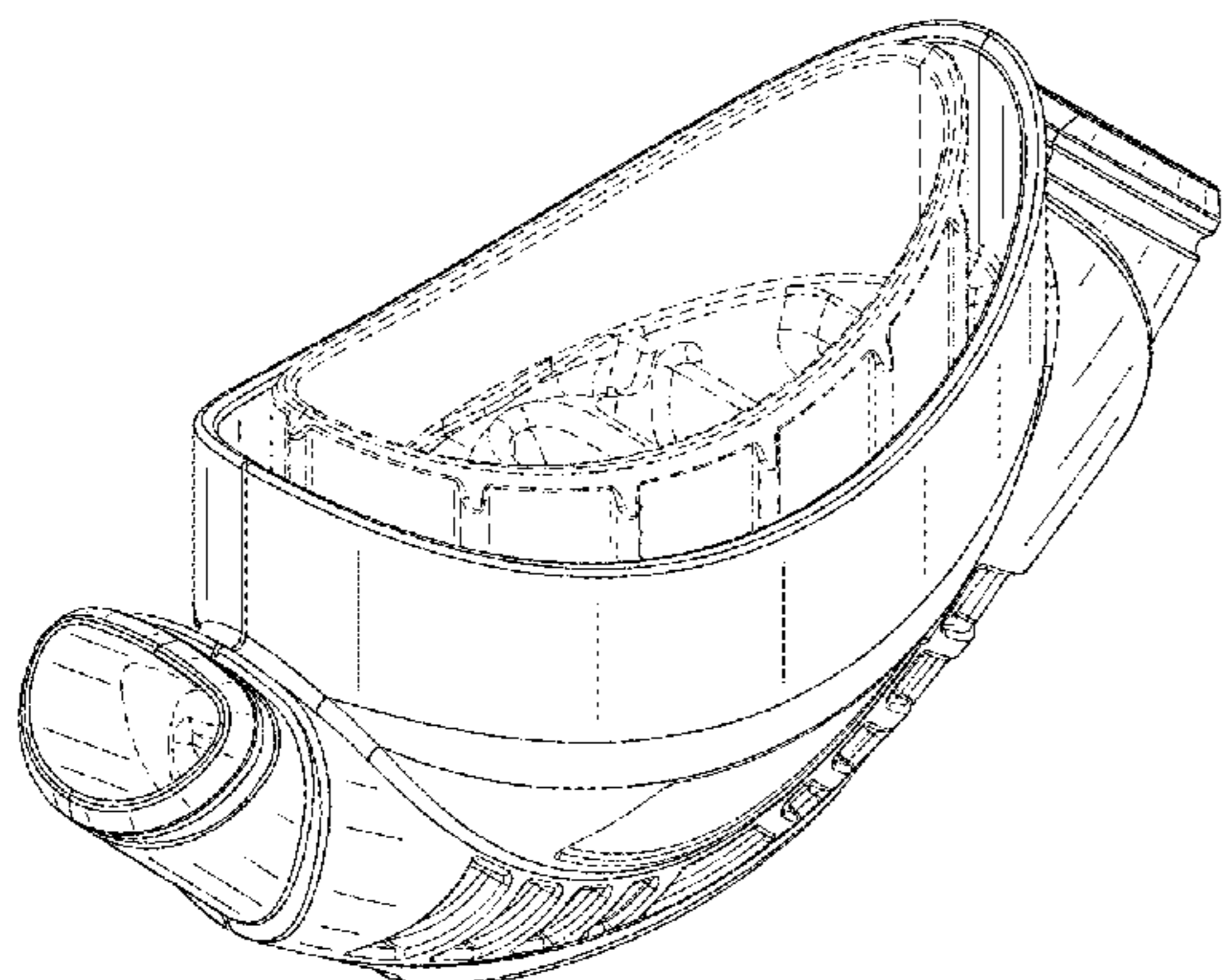
FIG. 15 is a top plan view thereof.

FIG. 16 is bottom plan view thereof.

FIG. 17 is a rear bottom perspective view thereof; and,

FIG. 18 is a front top perspective view thereof.

1 Claim, 10 Drawing Sheets



Related U.S. Application Data

- (60) Provisional application No. 61/406,315, filed on Oct. 25, 2010, provisional application No. 61/410,134, filed on Nov. 4, 2010, provisional application No. 61/423,195, filed on Dec. 15, 2010, provisional application No. 61/501,444, filed on Jun. 27, 2011.

(56) **References Cited**

U.S. PATENT DOCUMENTS

9,078,989	B2 *	7/2015	Genger	A61M 16/0666
D757,929	S *	5/2016	Kerber	D24/110.1
D757,930	S *	5/2016	Baecke	D24/110.1
9,327,092	B2 *	5/2016	Brambilla	A61M 16/0666
D768,287	S *	10/2016	Gusky	D24/110.1
2011/0073116	A1 *	3/2011	Genger	A61M 16/0666 128/207.18
2011/0253147	A1 *	10/2011	Gusky	A61M 16/06 128/207.18
2012/0325205	A1 *	12/2012	Allum	A61M 16/0666 128/201.13
2014/0158133	A1 *	6/2014	Acosta	A61M 16/0666 128/204.25
2014/0158136	A1 *	6/2014	Romagnoli	A61M 16/0683 128/206.24
2014/0276177	A1 *	9/2014	Brambilla	A61M 16/1045 600/543
2016/0095996	A1 *	4/2016	Gusky	A61M 16/125 128/205.25

* cited by examiner

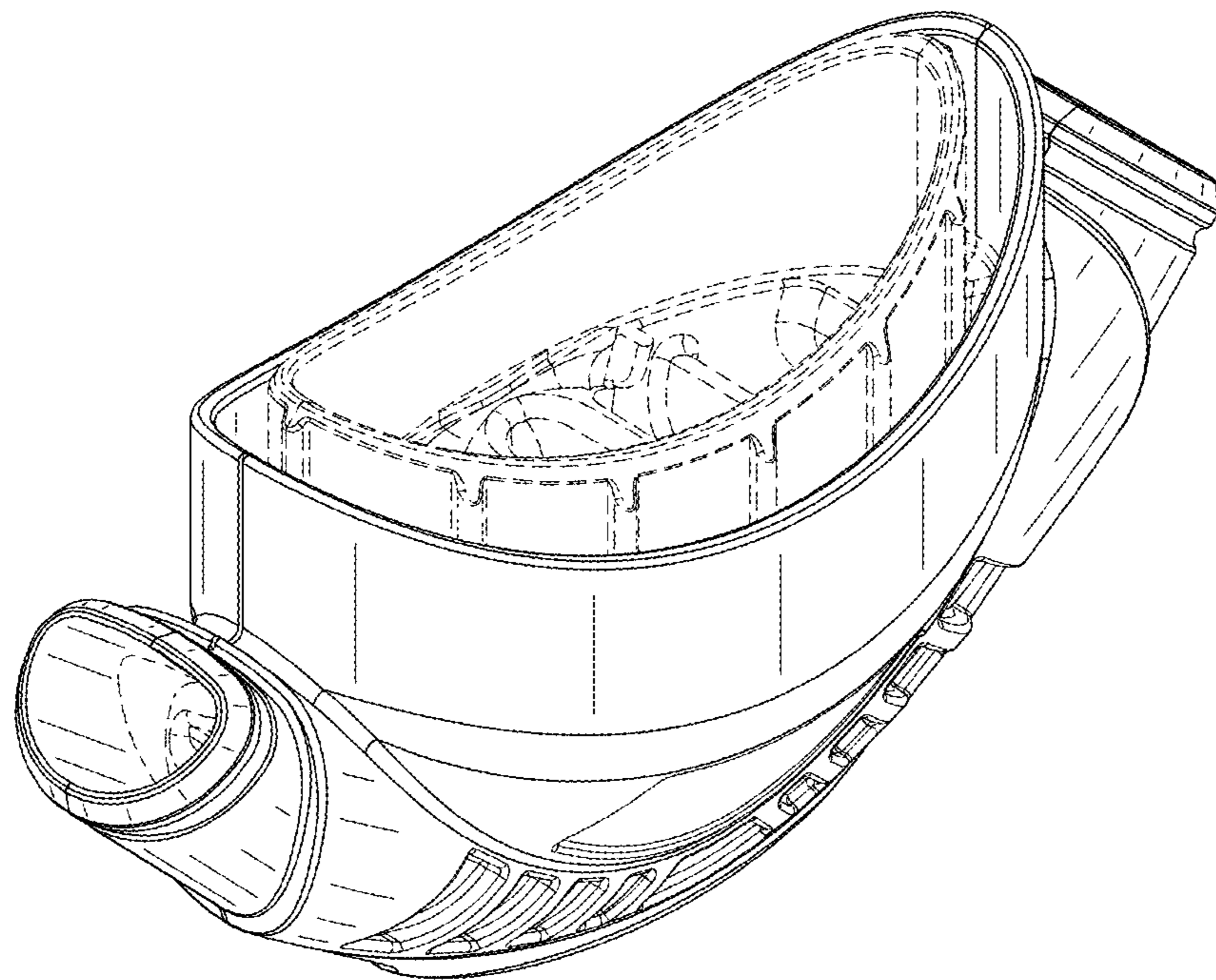


FIG. 1

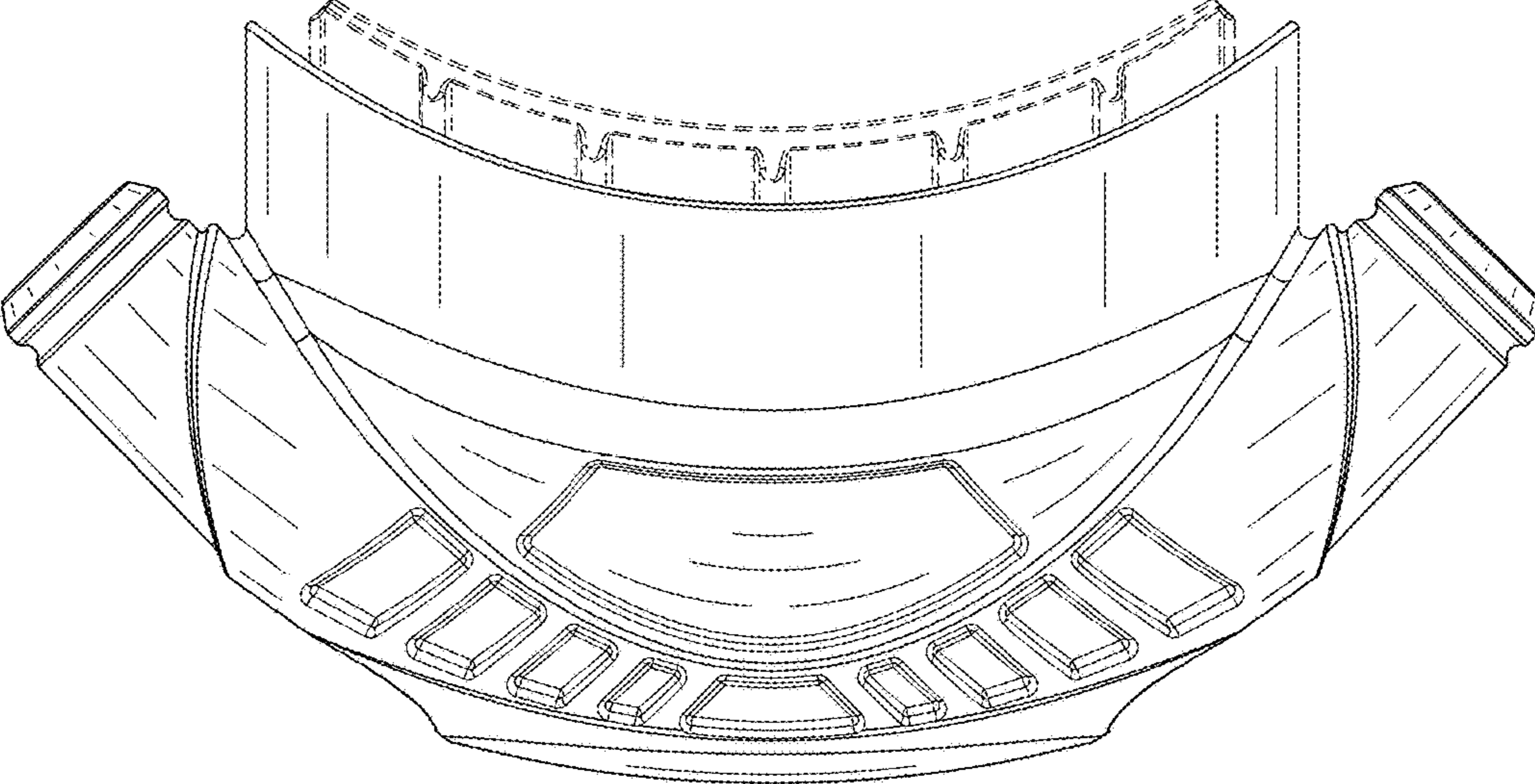


FIG. 2

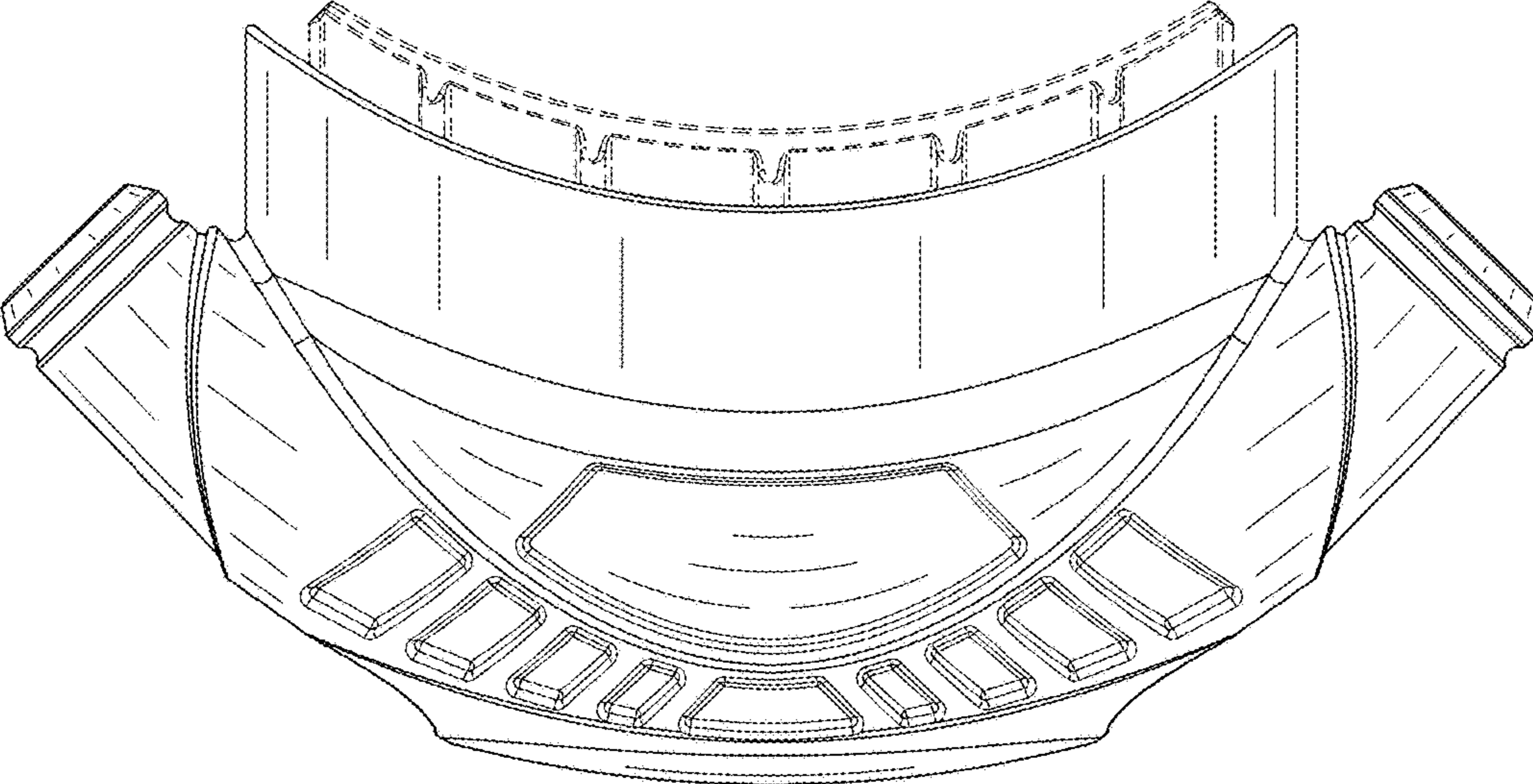


FIG. 3

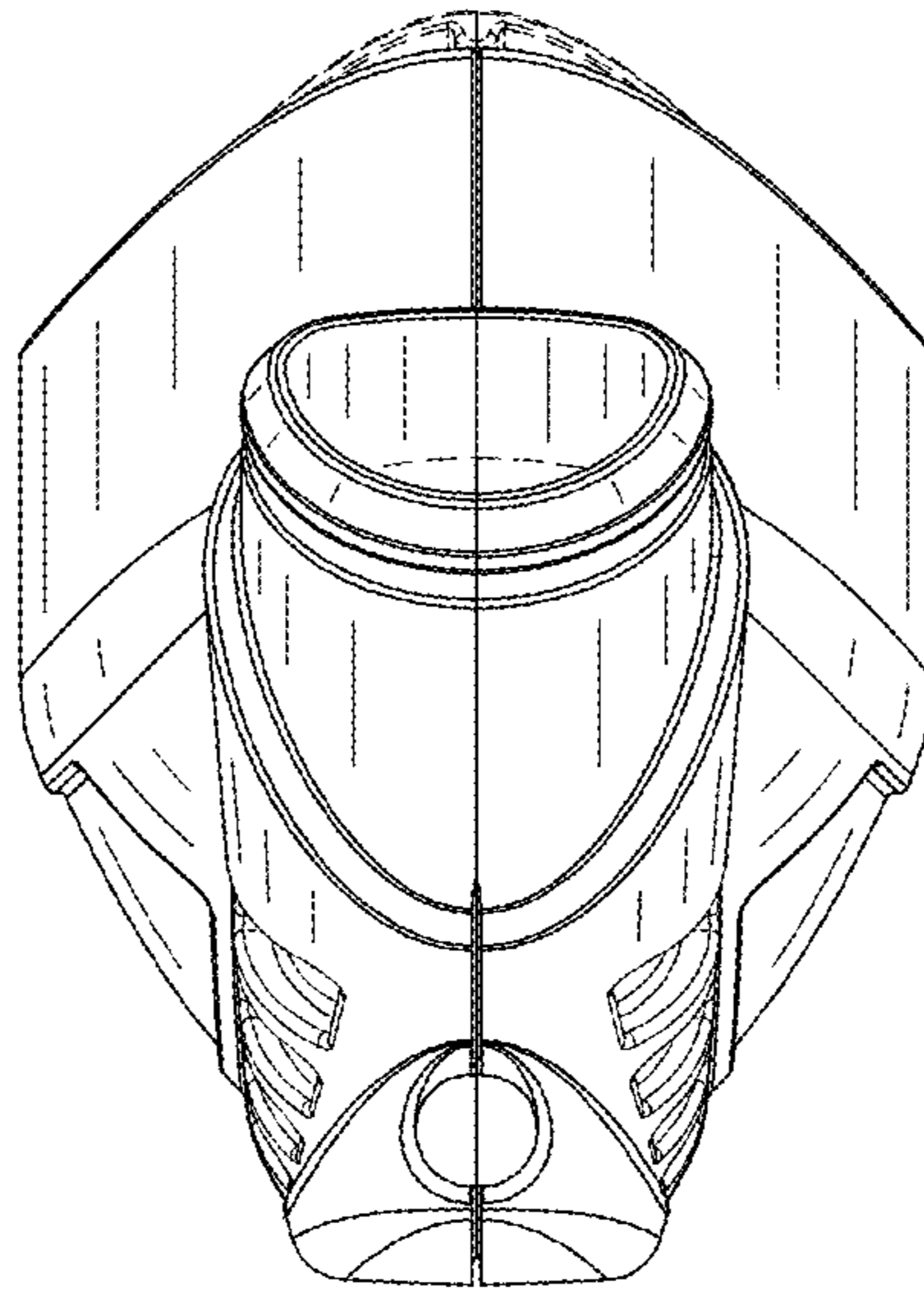


FIG. 4

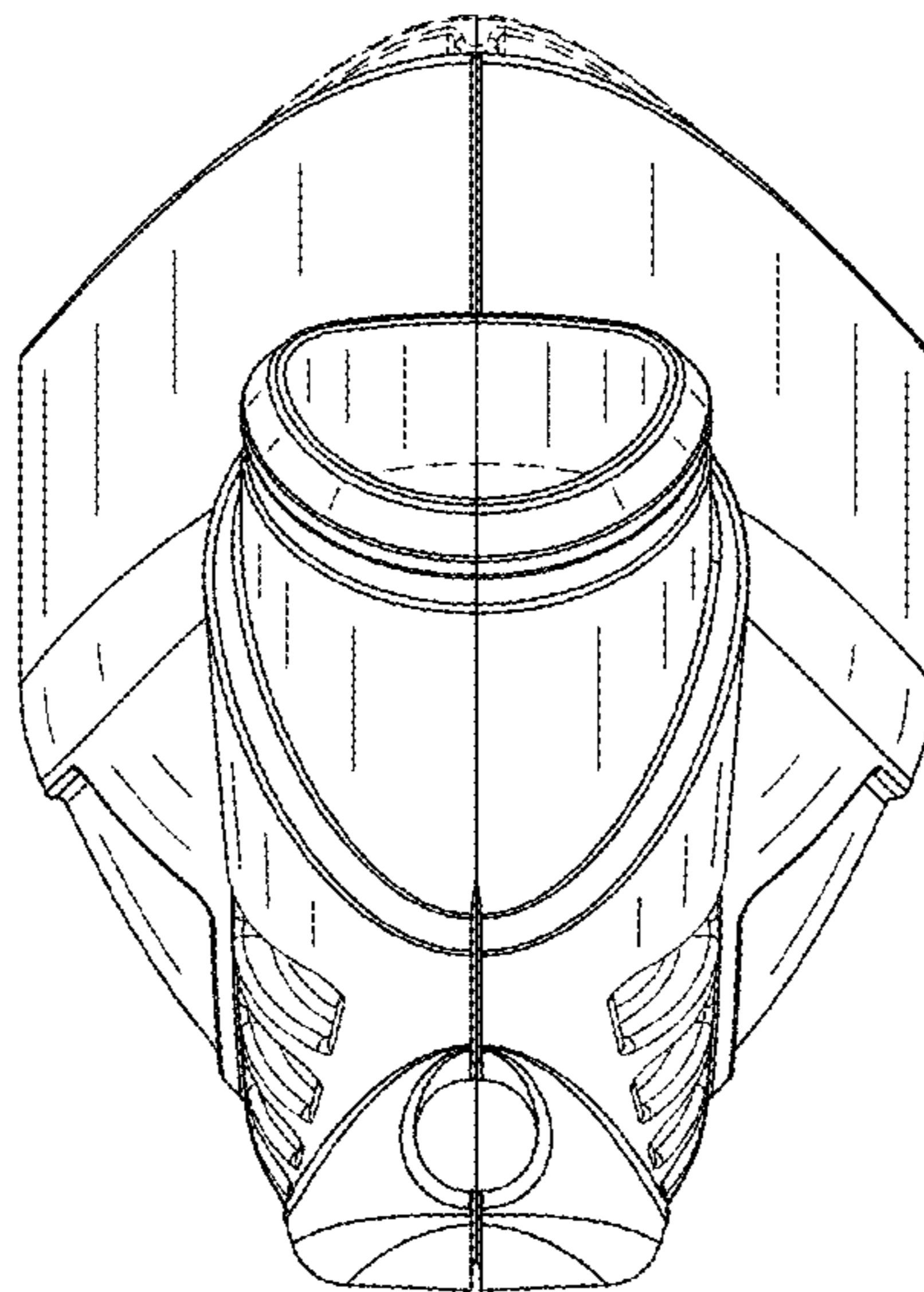


FIG. 5

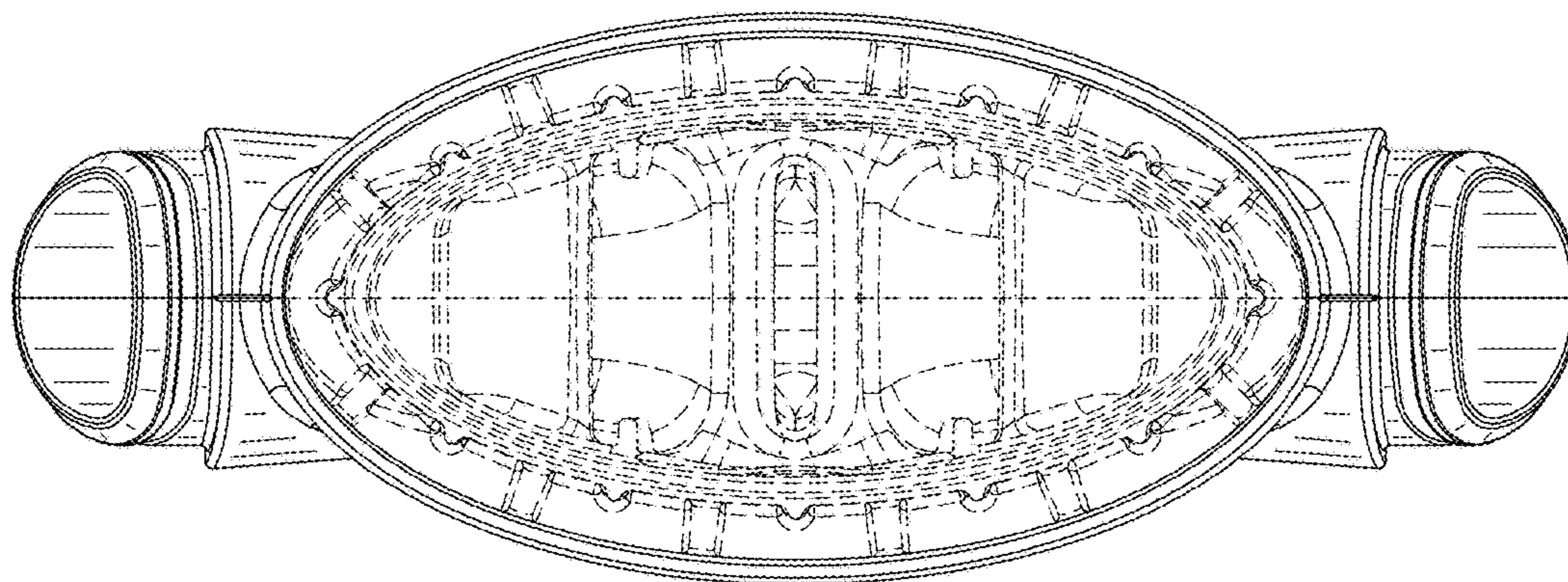


FIG. 6

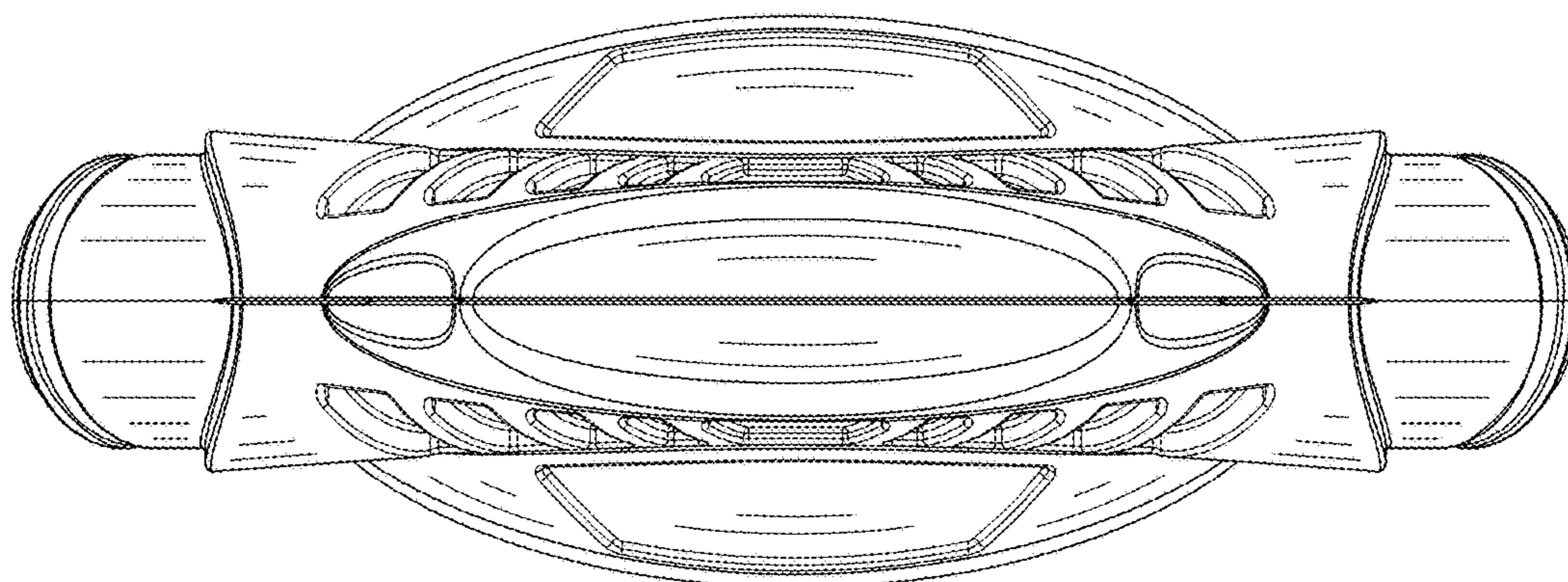


FIG. 7

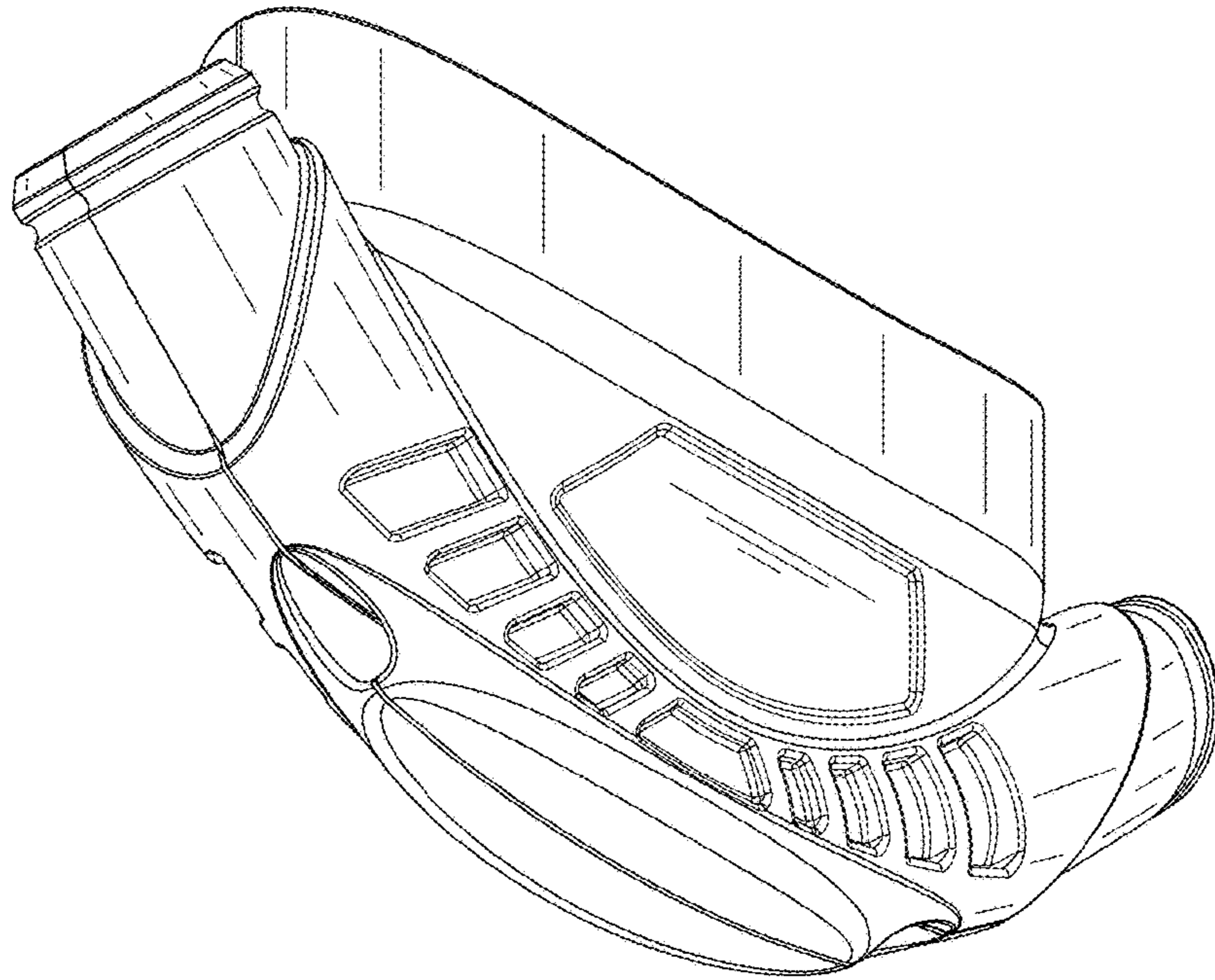


FIG. 8

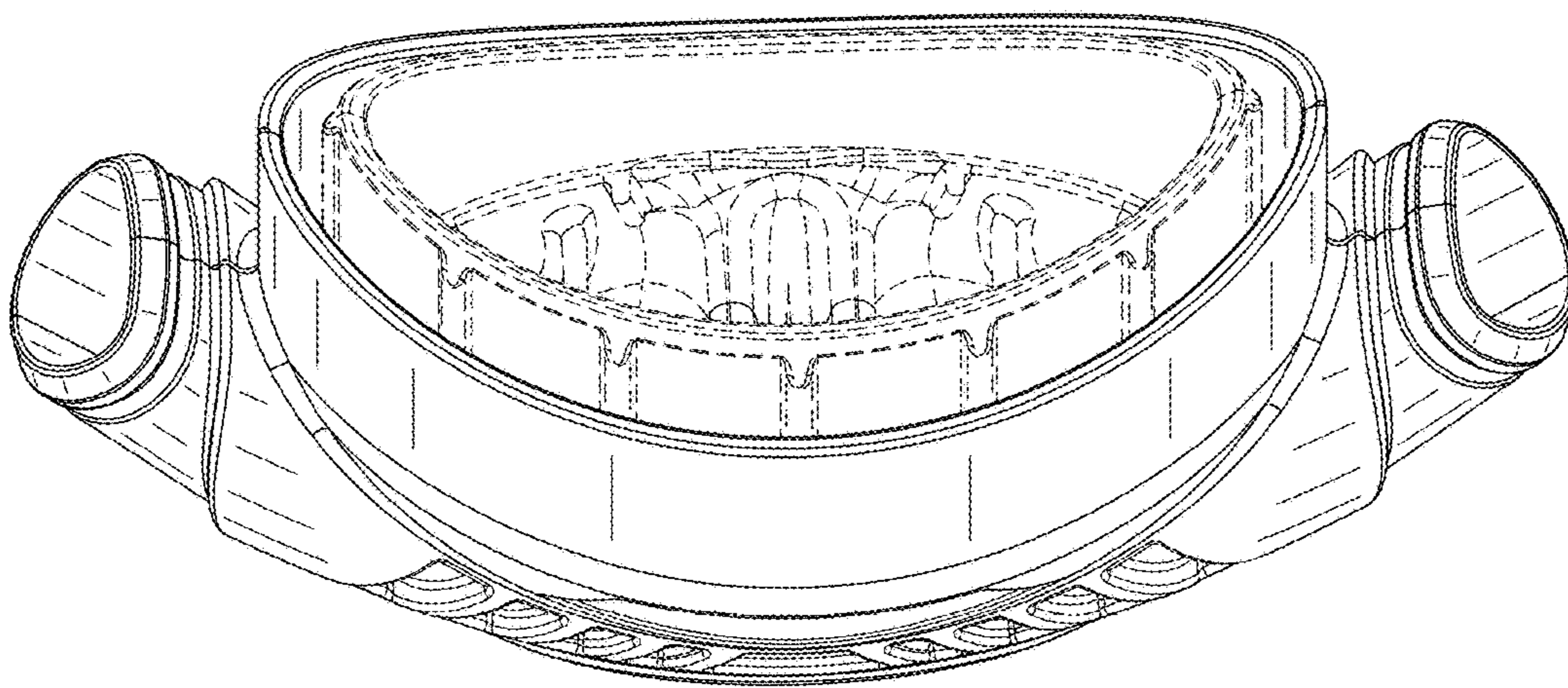


FIG. 9

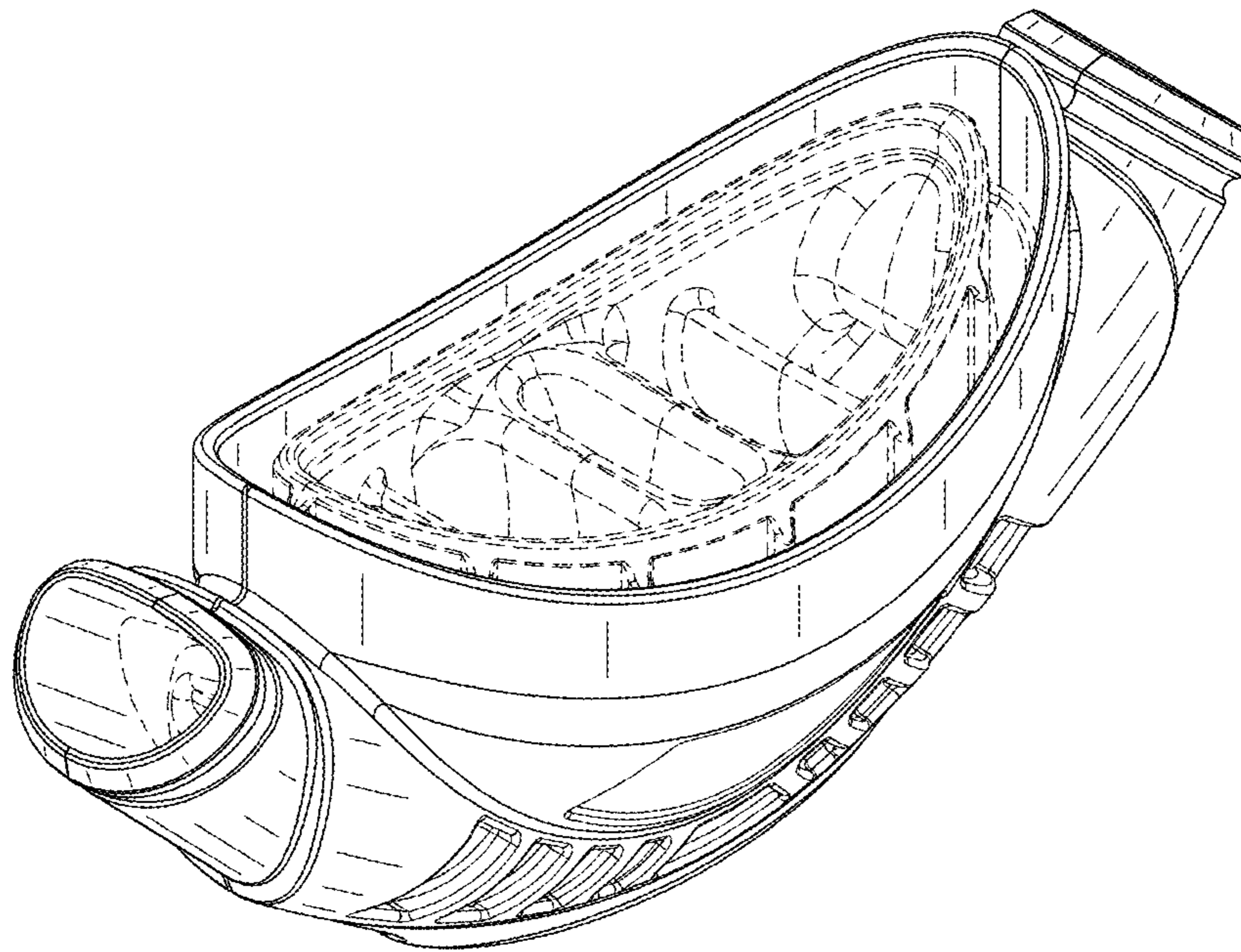


FIG. 10

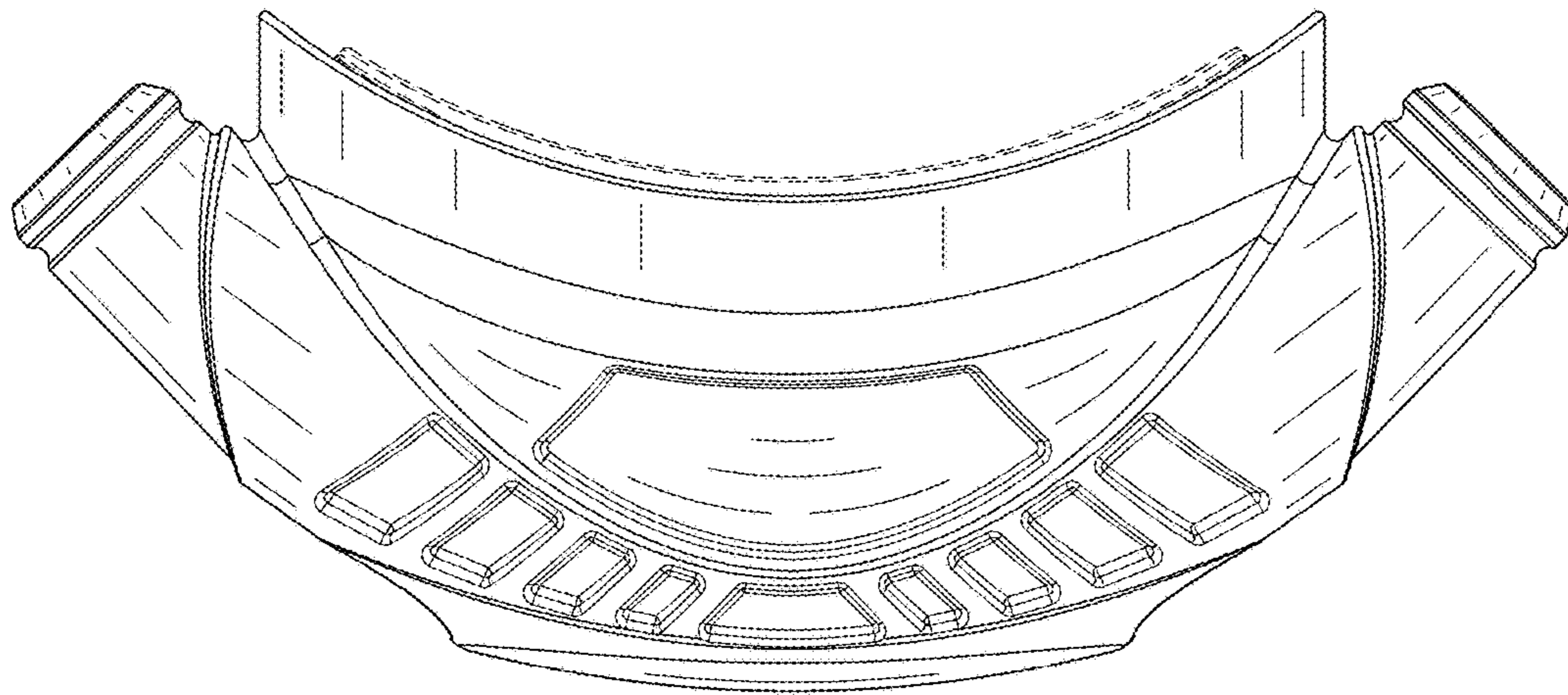


FIG. 11

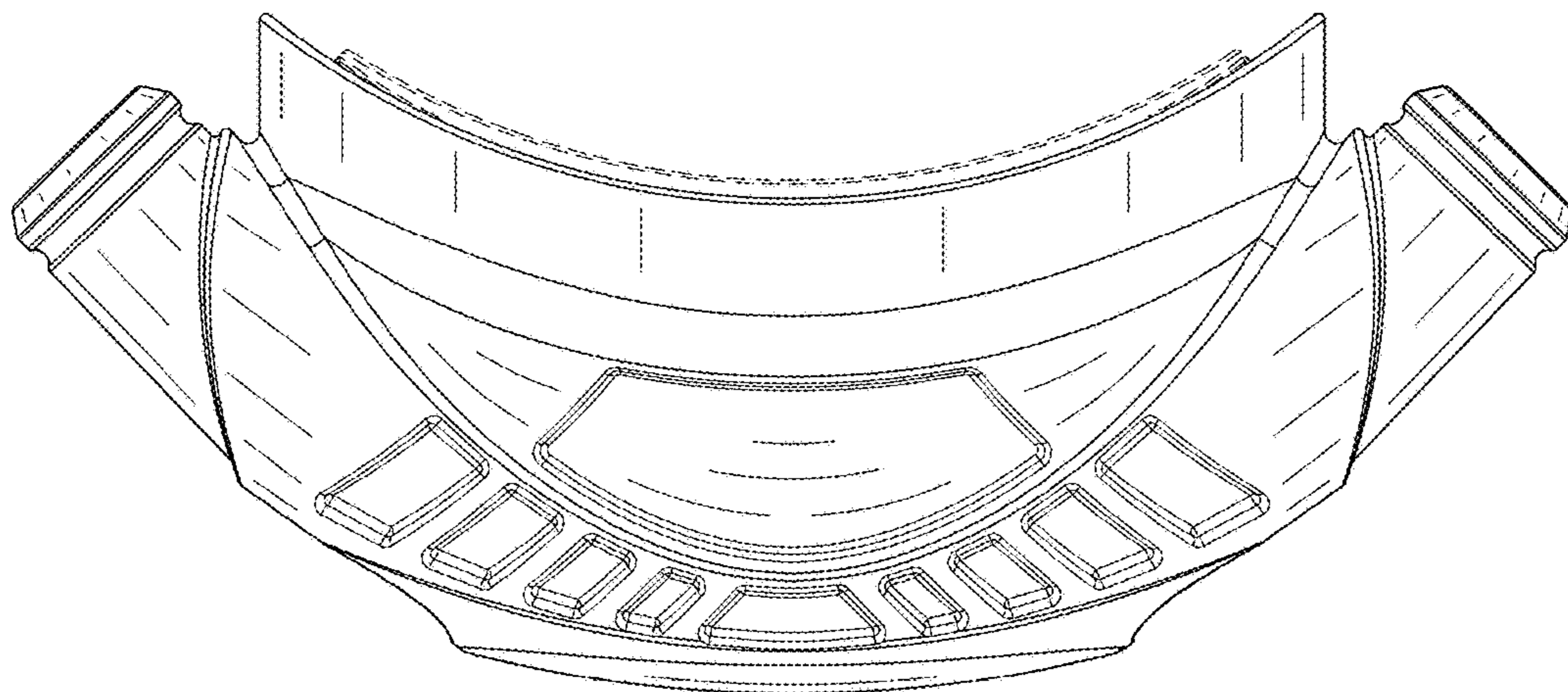


FIG. 12

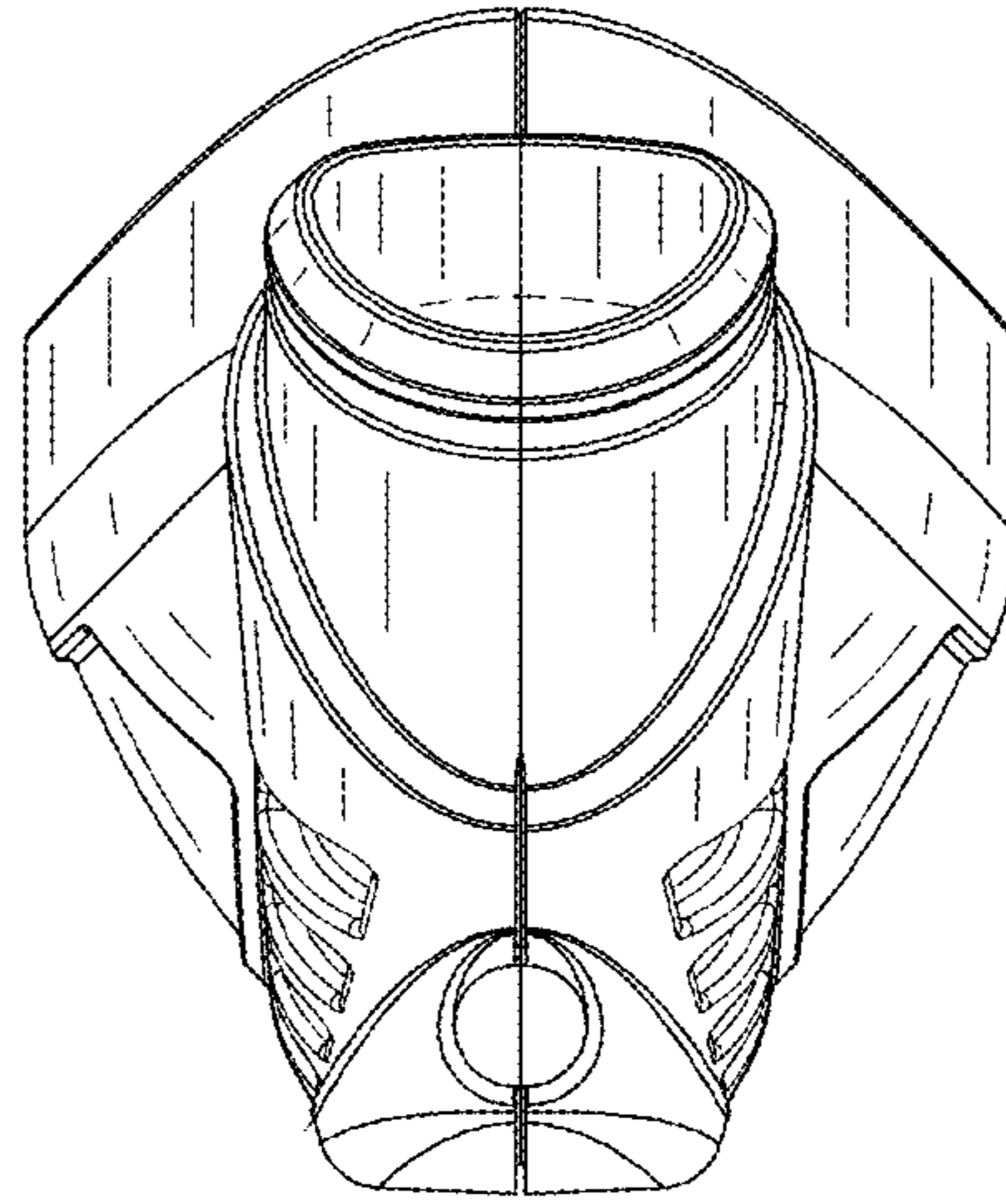


FIG. 13

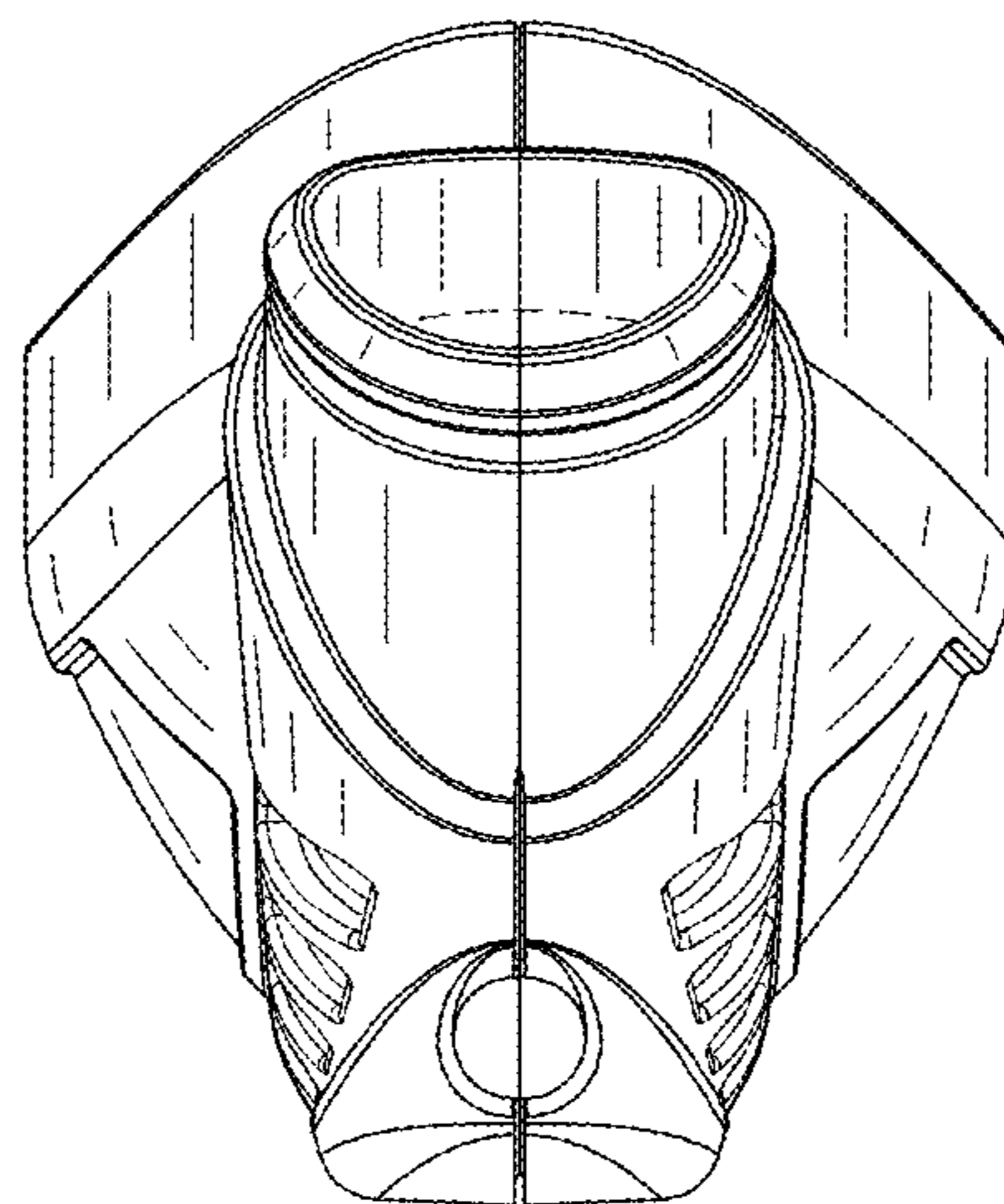


FIG. 14

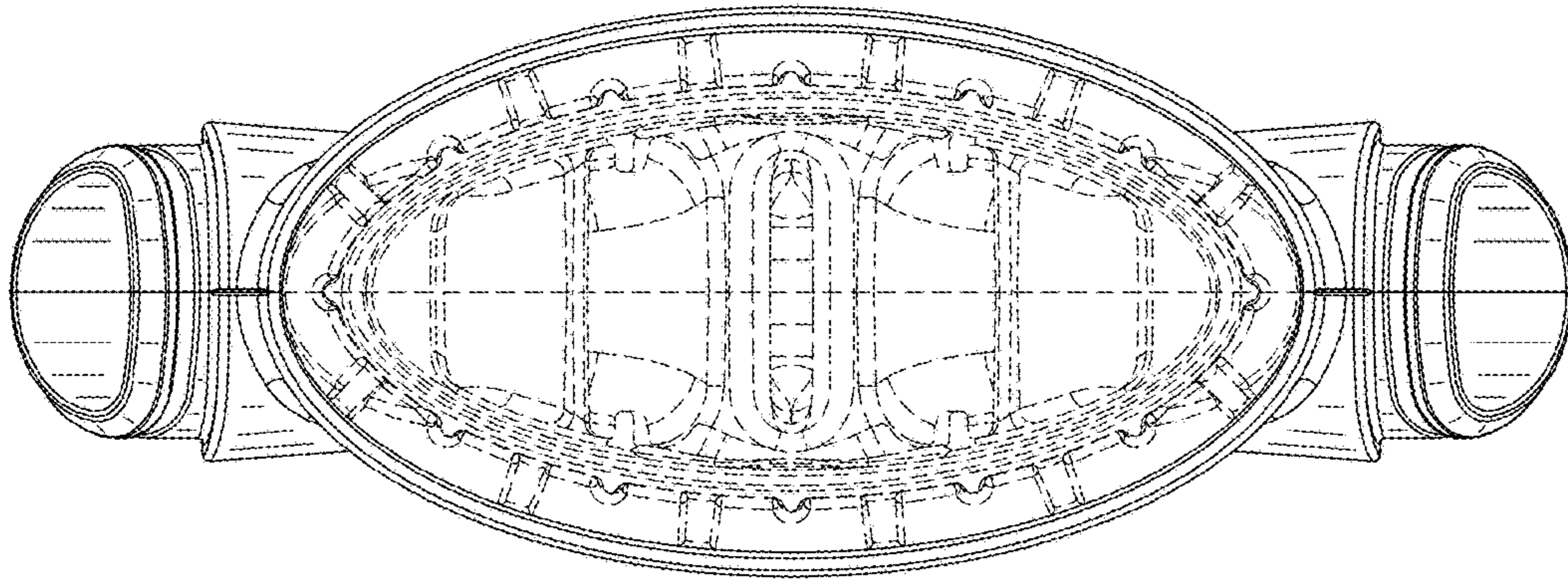


FIG. 15

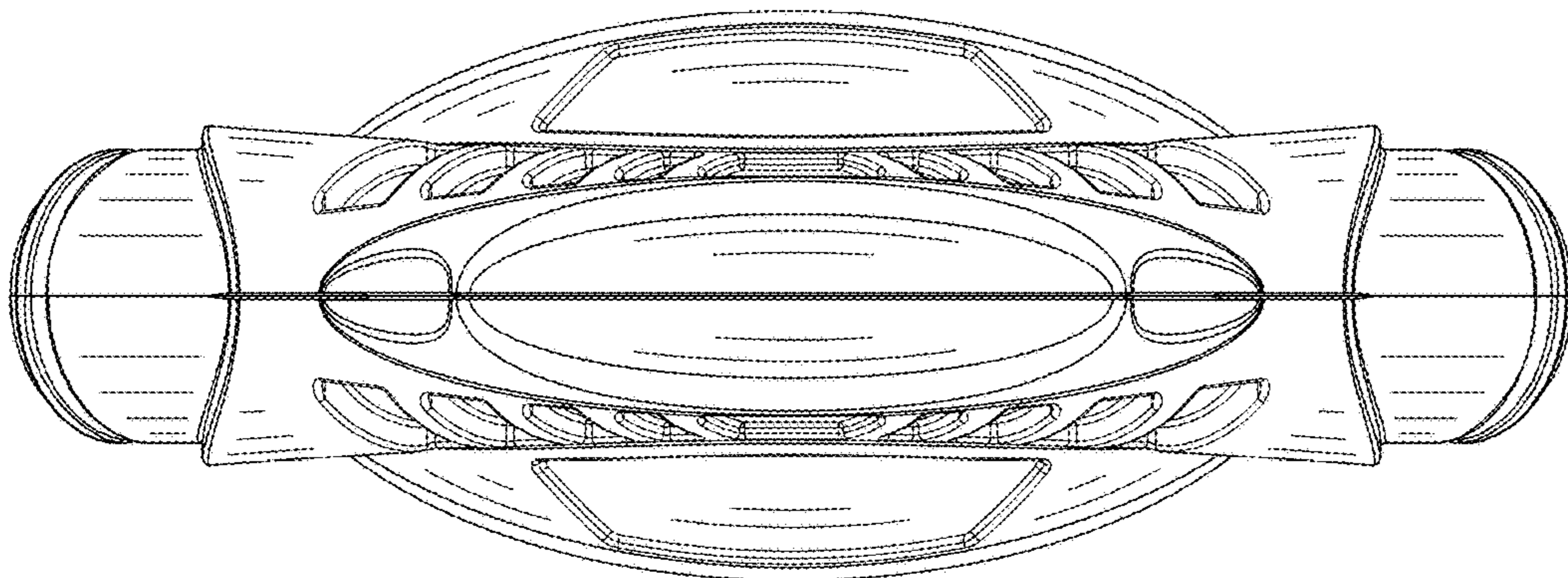


FIG. 16

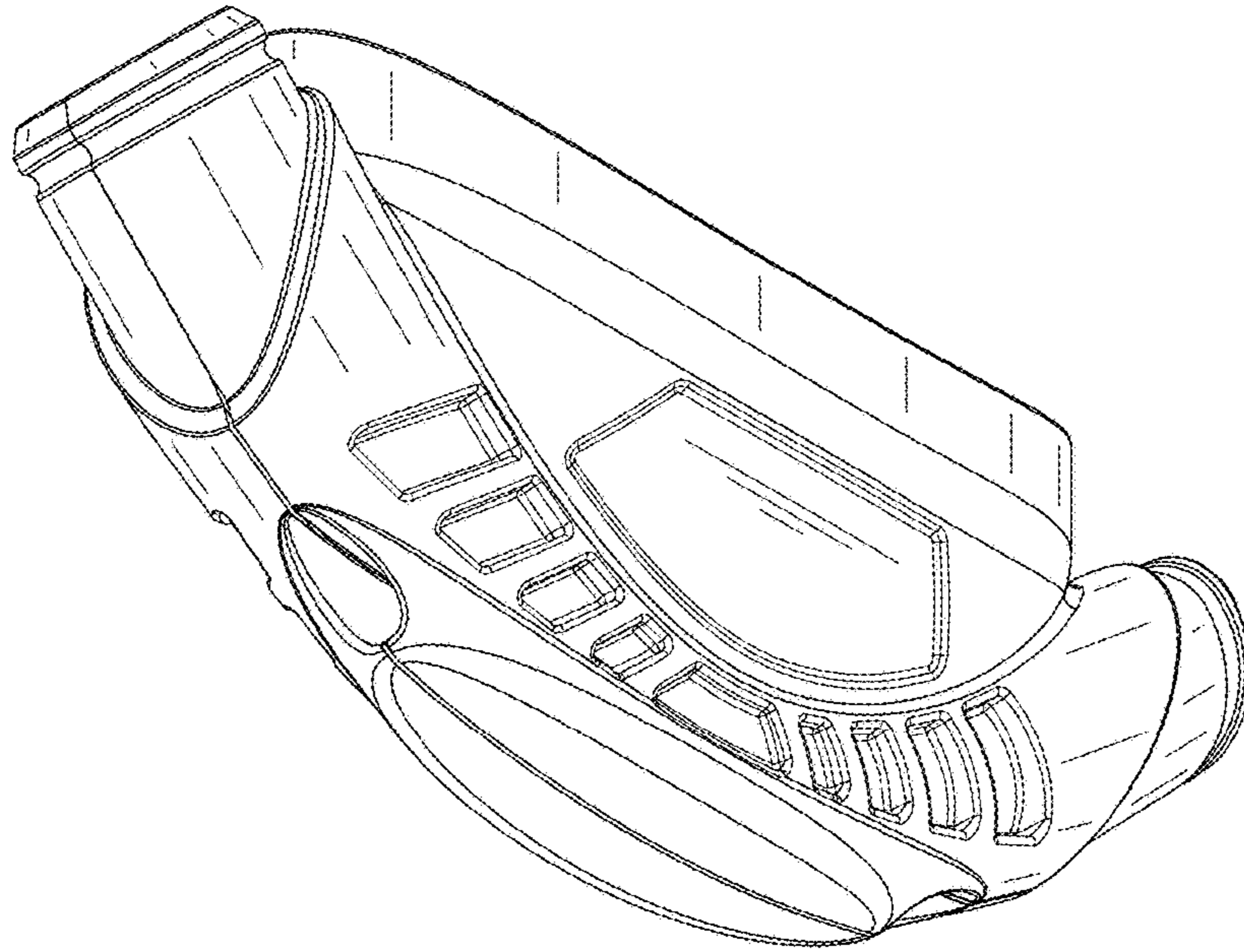


FIG. 17

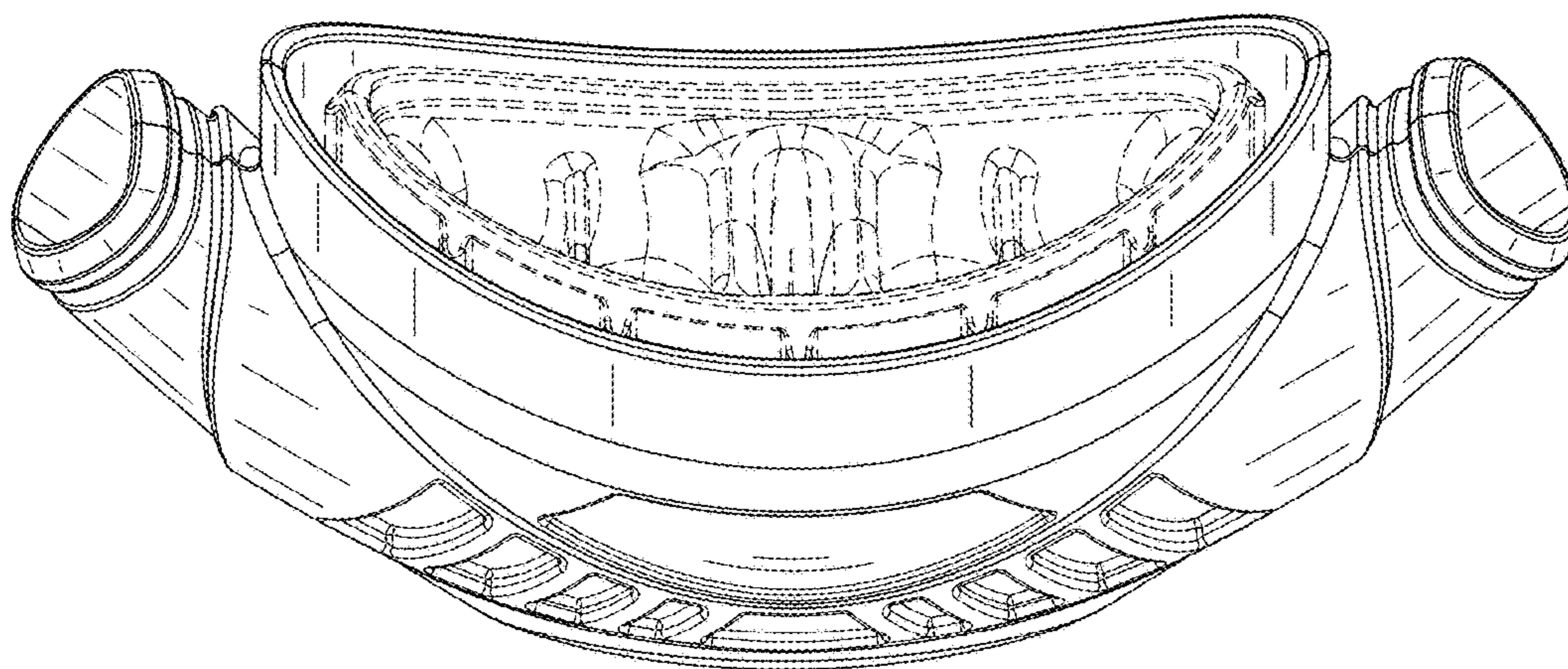


FIG. 18