



US00D801518S

(12) **United States Design Patent** (10) **Patent No.:** **US D801,518 S**
Amadio et al. (45) **Date of Patent:** **** Oct. 31, 2017**

(54) **PHARMACEUTICAL CAPSULE**

- (71) Applicant: **THERAPEUTICSMD, INC.**, Boca Raton, FL (US)
- (72) Inventors: **Julia M. Amadio**, Boca Raton, FL (US); **Thorsteinn Thorsteinsson**, West Palm Beach, FL (US)
- (73) Assignee: **THERAPEUTICSMD, INC.**, Boca Raton, FL (US)
- (**) Term: **15 Years**
- (21) Appl. No.: **29/530,924**
- (22) Filed: **Jun. 22, 2015**

Related U.S. Application Data

- (63) Continuation of application No. 14/649,818, filed as application No. PCT/US2013/046443 on Jun. 18, 2013, which is a continuation of application No. 13/843,428, filed on Mar. 15, 2013, now Pat. No. 9,301,920, and a continuation-in-part of application No. PCT/US2013/023309, filed on Jan. 25, 2013, and a continuation of application No. 13/684,002, filed on Nov. 21, 2012, now Pat. No. 8,633,178.
 - (51) **LOC (10) Cl.** **24-01**
 - (52) **U.S. Cl.**
USPC **D24/104**
 - (58) **Field of Classification Search**
USPC D24/100-104
CPC ... A61K 9/025; A61K 9/0034; A61M 31/002;
A61M 31/00; Y10S 424/15; Y10S
514/966; A61J 3/08
- See application file for complete search history.

(56) **References Cited**

U.S. PATENT DOCUMENTS

2,856,928	A *	10/1958	Zener	A61M 31/00 604/275
3,122,475	A *	2/1964	Schaeppi	A61K 9/025 424/436
3,415,249	A *	12/1968	Sperti	A61K 9/025 424/436
3,664,341	A *	5/1972	Gordon	A61M 31/002 424/433
4,439,194	A *	3/1984	Harwood	A61M 31/002 424/436
2008/0230431	A1 *	9/2008	Anliker	A61J 3/08 206/529

* cited by examiner

Primary Examiner — Charles D Hanson

(74) *Attorney, Agent, or Firm* — Kilpatrick Townsend & Stockton LLP

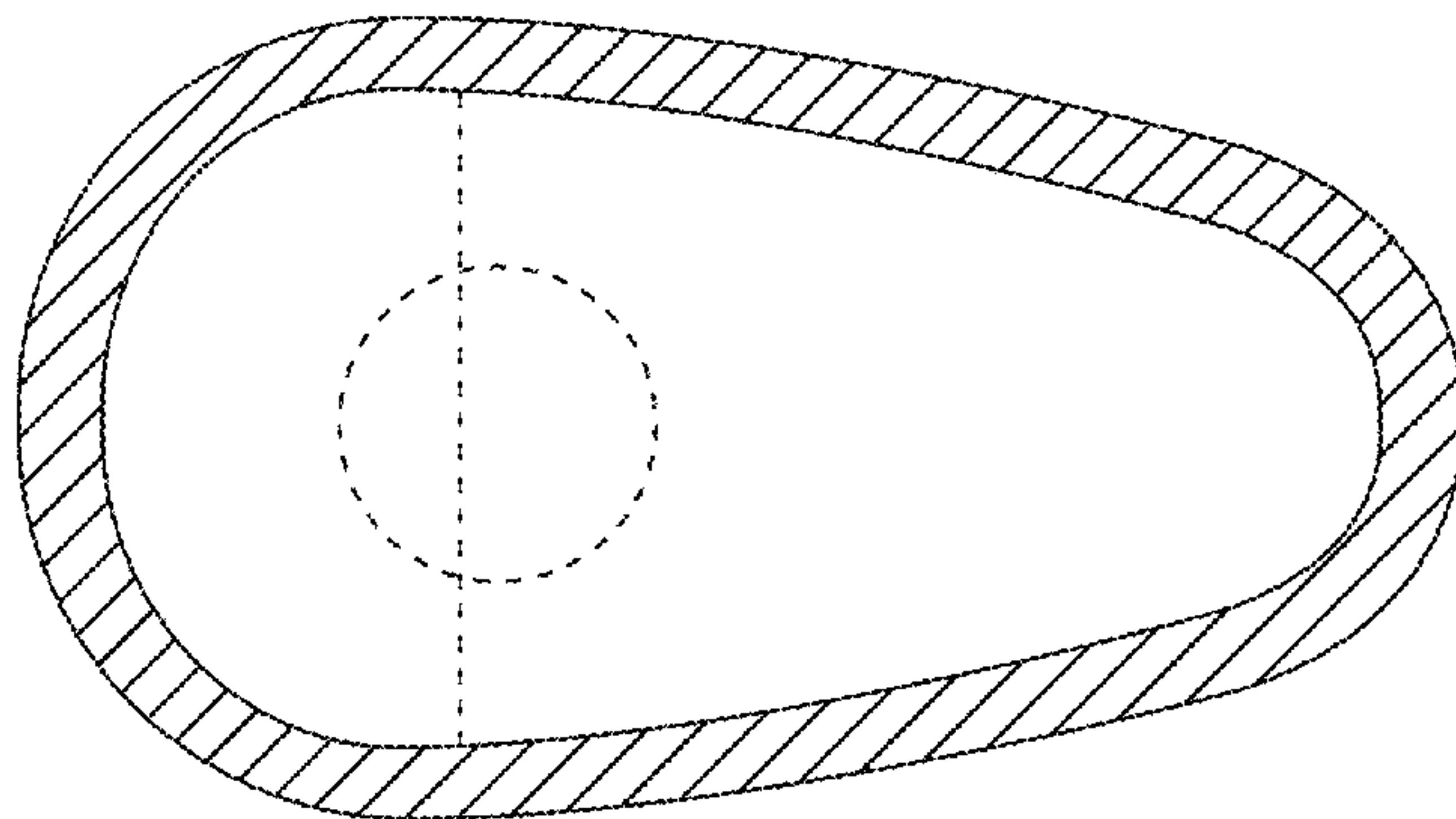
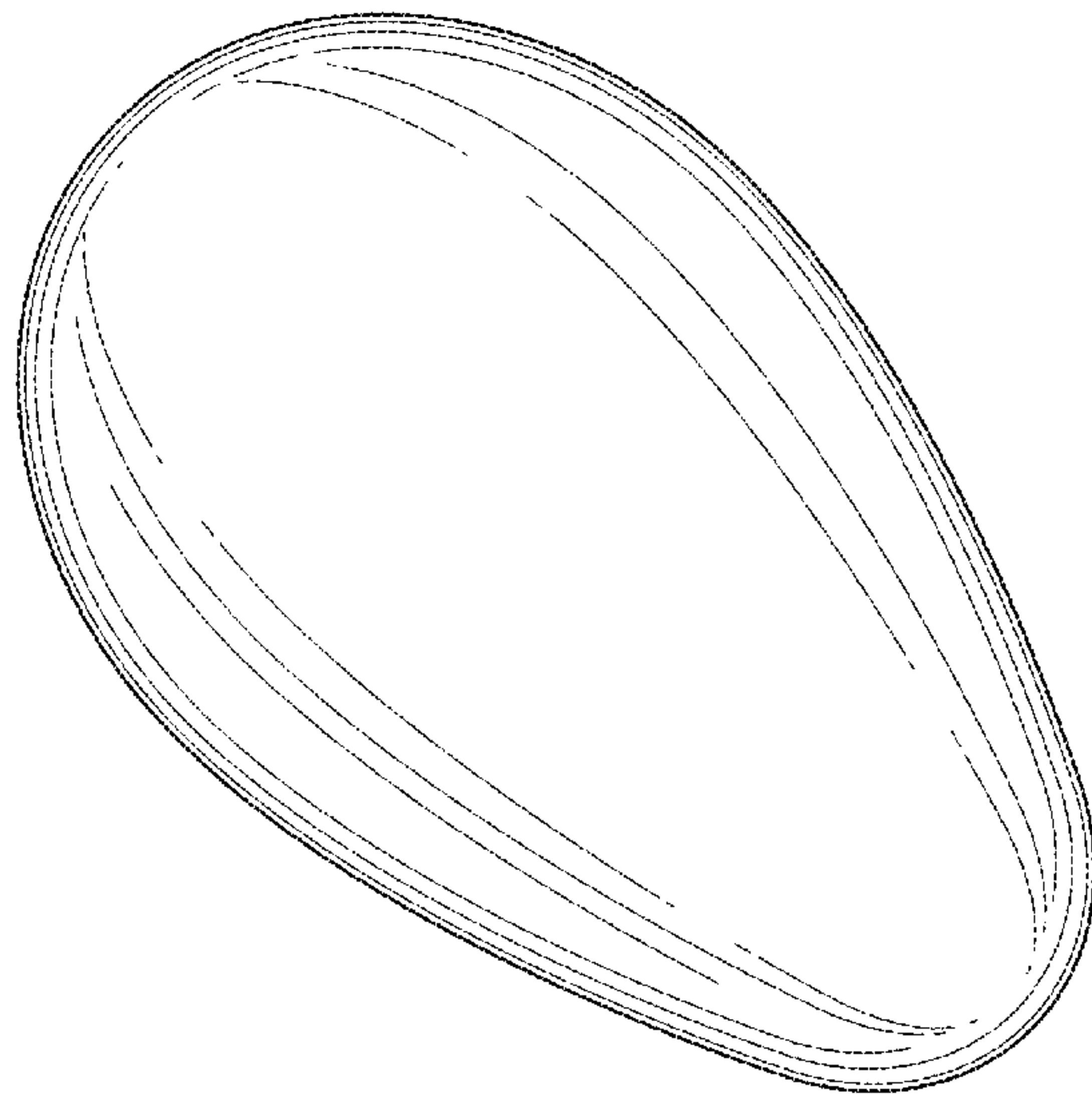
(57) **CLAIM**

The ornamental design for a pharmaceutical capsule, as shown and described.

DESCRIPTION

FIG. 1 is a perspective view of a pharmaceutical capsule showing our new design;
 FIG. 2 is a front thereof;
 FIG. 3 is a rear view thereof;
 FIG. 4 is a side view thereof; and,
 FIG. 5 is a cross-section view taken along section 5-5 of FIG. 4.
 The broken lines shown in FIG. 5 form no part of the claimed design.

1 Claim, 4 Drawing Sheets



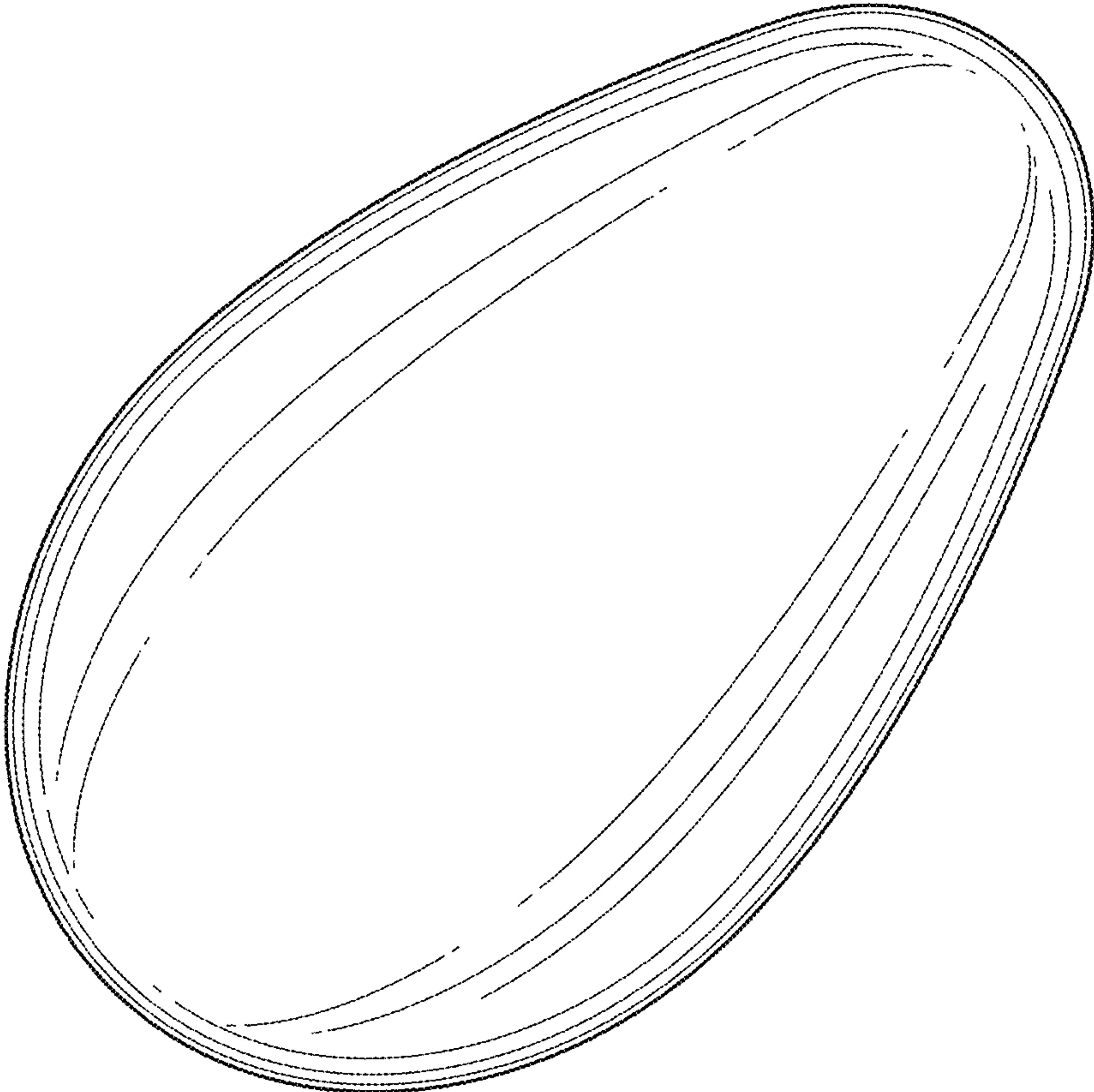


FIG. 1

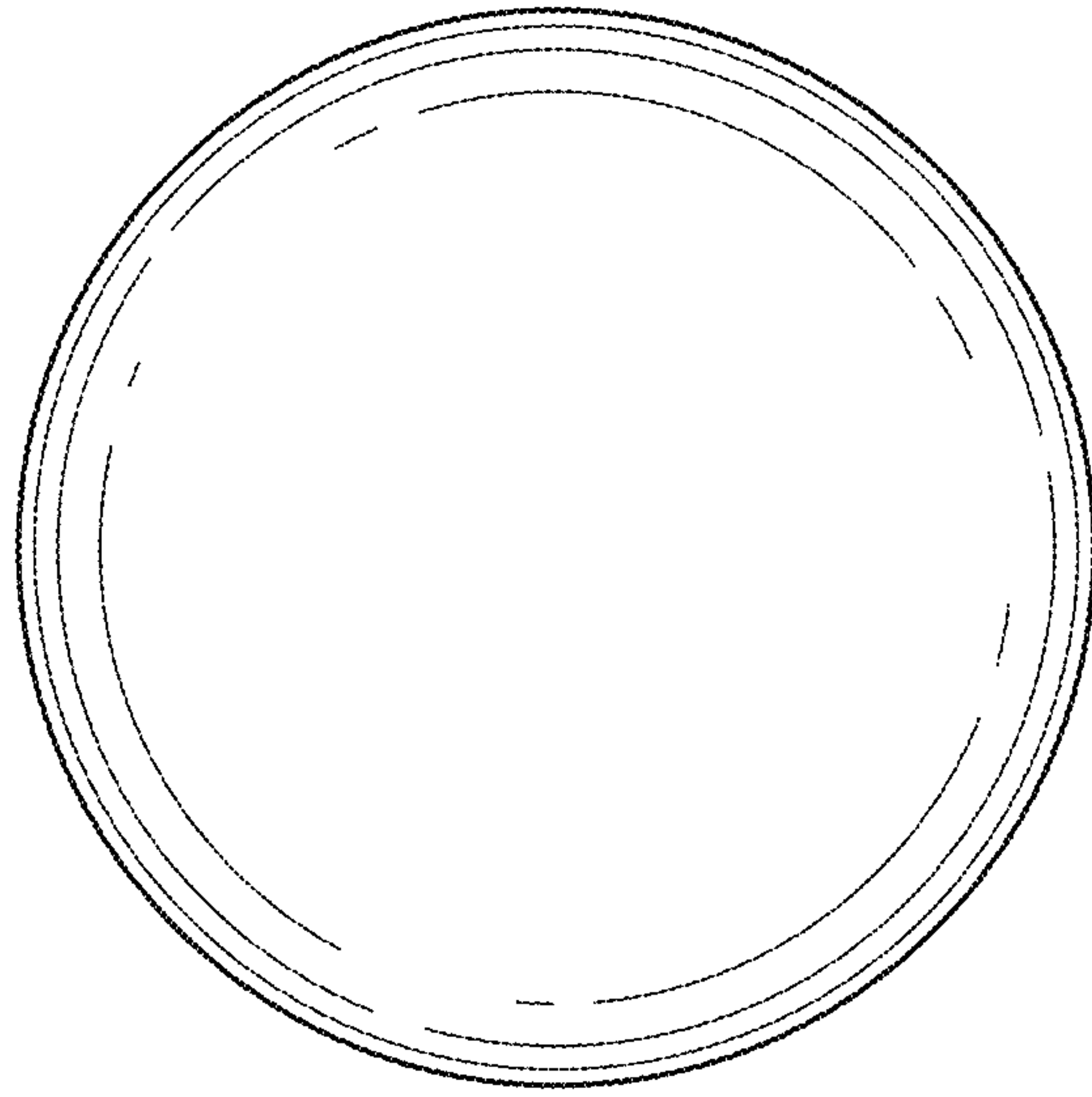


FIG. 3

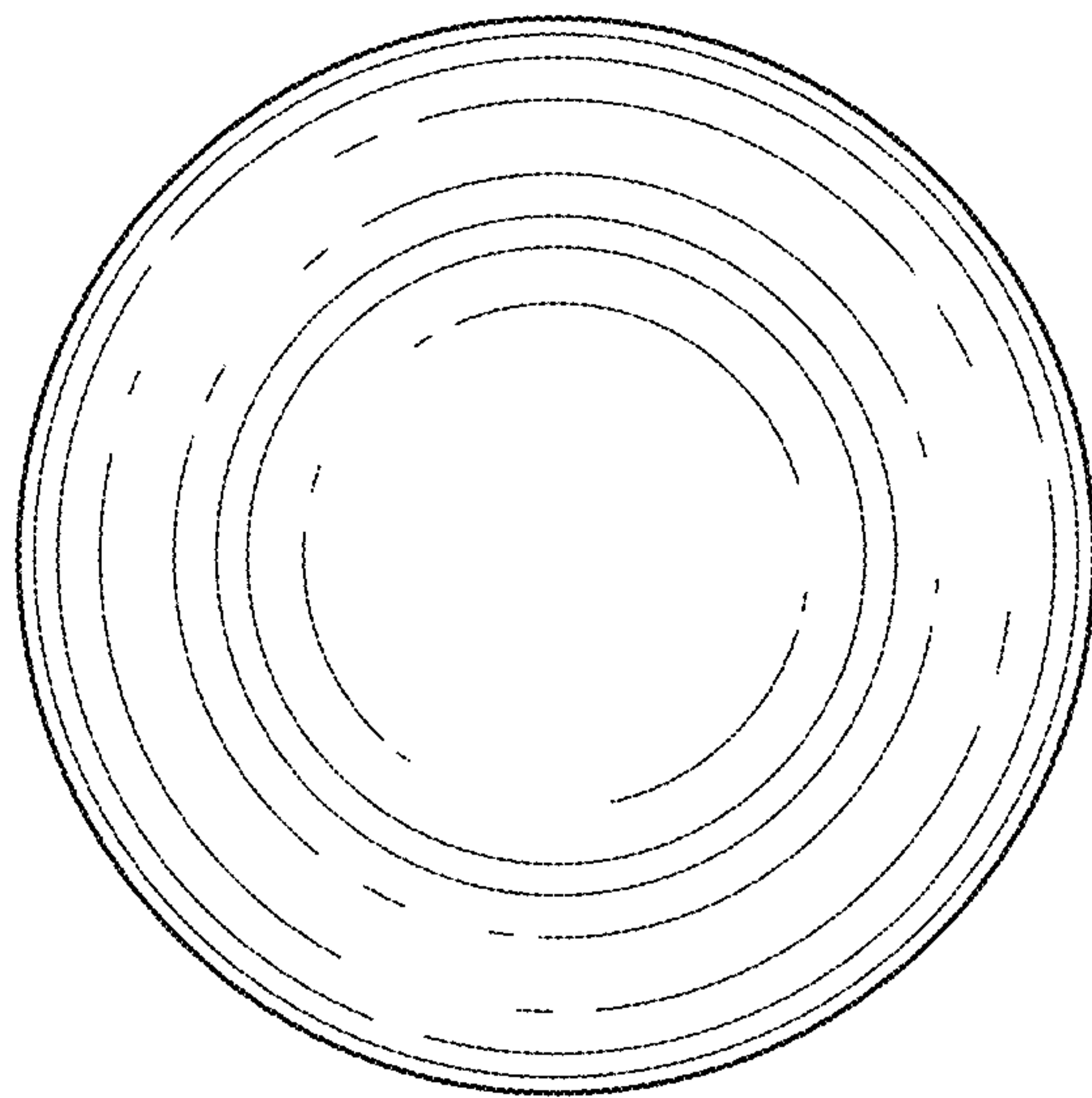


FIG. 2

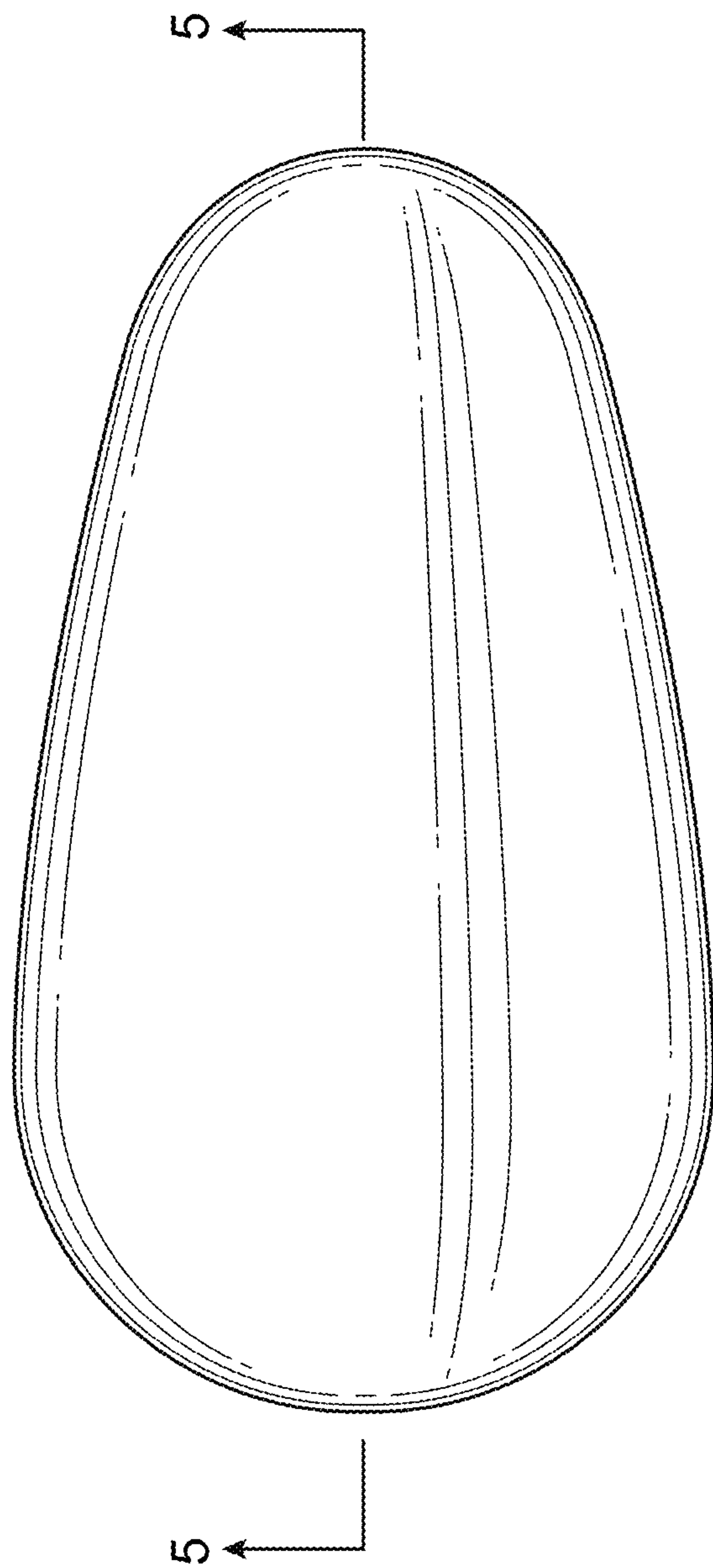


FIG. 4

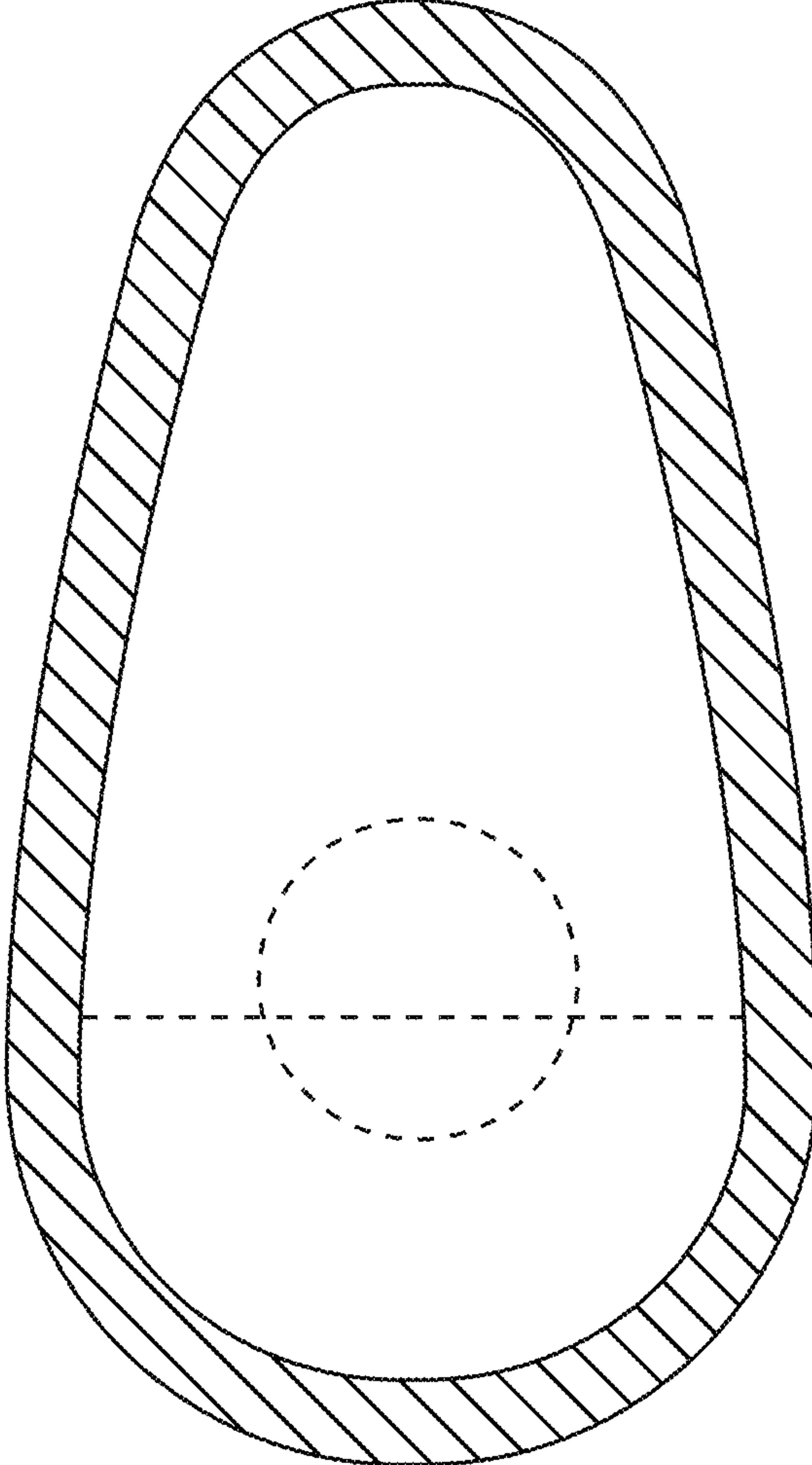


FIG. 5

UNITED STATES PATENT AND TRADEMARK OFFICE
CERTIFICATE OF CORRECTION

PATENT NO. : D801,518 S
APPLICATION NO. : 29/530924
DATED : October 31, 2017
INVENTOR(S) : Julia M. Amadio and Thorsteinn Thorsteinsson

Page 1 of 1

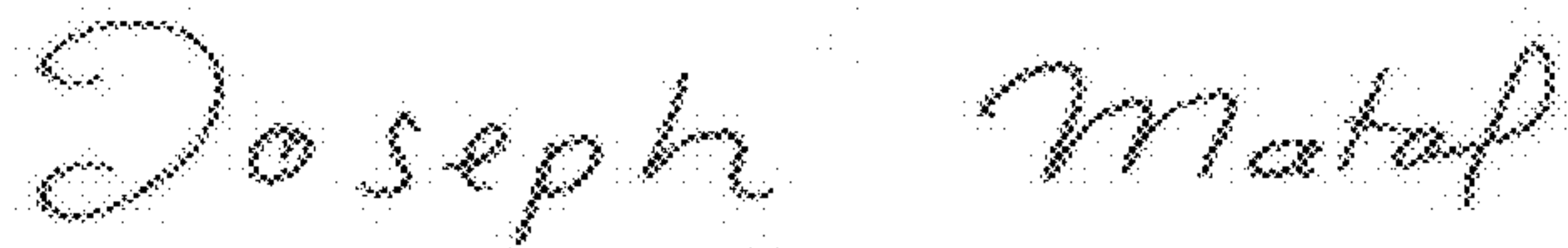
It is certified that error appears in the above-identified patent and that said Letters Patent is hereby corrected as shown below:

On the Title Page

Under item (63), Related U.S. Application Data, please delete the priority data and replace with the following:

-- Continuation of application No. 14/649,818, which is a National Stage Entry of application No. PCT/US2013/046443, filed on Jun. 18, 2013, which is a continuation of application No. 13/843,428, filed on Mar. 15, 2013, now Pat. No. 9,301,920, and is a continuation-in-part of application No. PCT/US2013/023309, filed on Jan. 25, 2013, and claims benefit of provisional application No. 61/745,313, filed Dec. 21, 2012, and is a continuation of application No. 13/684,002, filed on Nov. 21, 2012, now Pat. No. 8,633,178, and claims benefit of provisional application No. 61/662,265, filed Jun. 20, 2012, and claims benefit of provisional application No. 61/661,302, filed Jun. 18, 2012. --

Signed and Sealed this
Ninth Day of January, 2018



Joseph Matal

*Performing the Functions and Duties of the
Under Secretary of Commerce for Intellectual Property and
Director of the United States Patent and Trademark Office*