



US00D801516S

(12) **United States Design Patent**
Wang

(10) **Patent No.:** **US D801,516 S**
(45) **Date of Patent:** **** Oct. 31, 2017**

- (54) **CEILING FAN BLADE**
- (71) Applicant: **AIR COOL INDUSTRIAL CO., LTD.**, Taichung (TW)
- (72) Inventor: **Cliff Wang**, Taichung (TW)
- (73) Assignee: **AIR COOL INDUSTRIAL CO., LTD.**, Taichung (TW)
- (**) Term: **15 Years**
- (21) Appl. No.: **29/584,413**
- (22) Filed: **Nov. 14, 2016**
- (51) **LOC (10) Cl.** **23-04**
- (52) **U.S. Cl.**
USPC **D23/413**
- (58) **Field of Classification Search**
USPC D23/370, 377, 379, 385, 411, 413;
D26/59
CPC H02K 1/187; F04D 25/08; F04D 29/388;
F04D 29/34; F04D 25/088
See application file for complete search history.

(56) **References Cited**

U.S. PATENT DOCUMENTS

D514,695 S *	2/2006	Badarello	D23/413
D517,689 S *	3/2006	Tai	D23/413
D543,618 S *	5/2007	Pickett	D23/413
D555,239 S *	11/2007	Shurtleff	D23/413
D565,725 S *	4/2008	Badarello	D23/413

D566,264 S *	4/2008	Badarello	D23/413
D706,411 S *	6/2014	Wang	D23/413
D743,529 S *	11/2015	Pan	D23/413
D744,083 S *	11/2015	Wang	D23/413
D745,133 S *	12/2015	Wang	D23/413
D755,948 S *	5/2016	Ertze	D23/413
D776,251 S *	1/2017	Pickett	D23/413
2008/0069698 A1 *	3/2008	Laisathit	F04D 25/088 416/210 R

* cited by examiner

Primary Examiner — Janice Hallmark

(74) *Attorney, Agent, or Firm* — Pai Patent & Trademark Law Firm; Chao-Chang David Pai

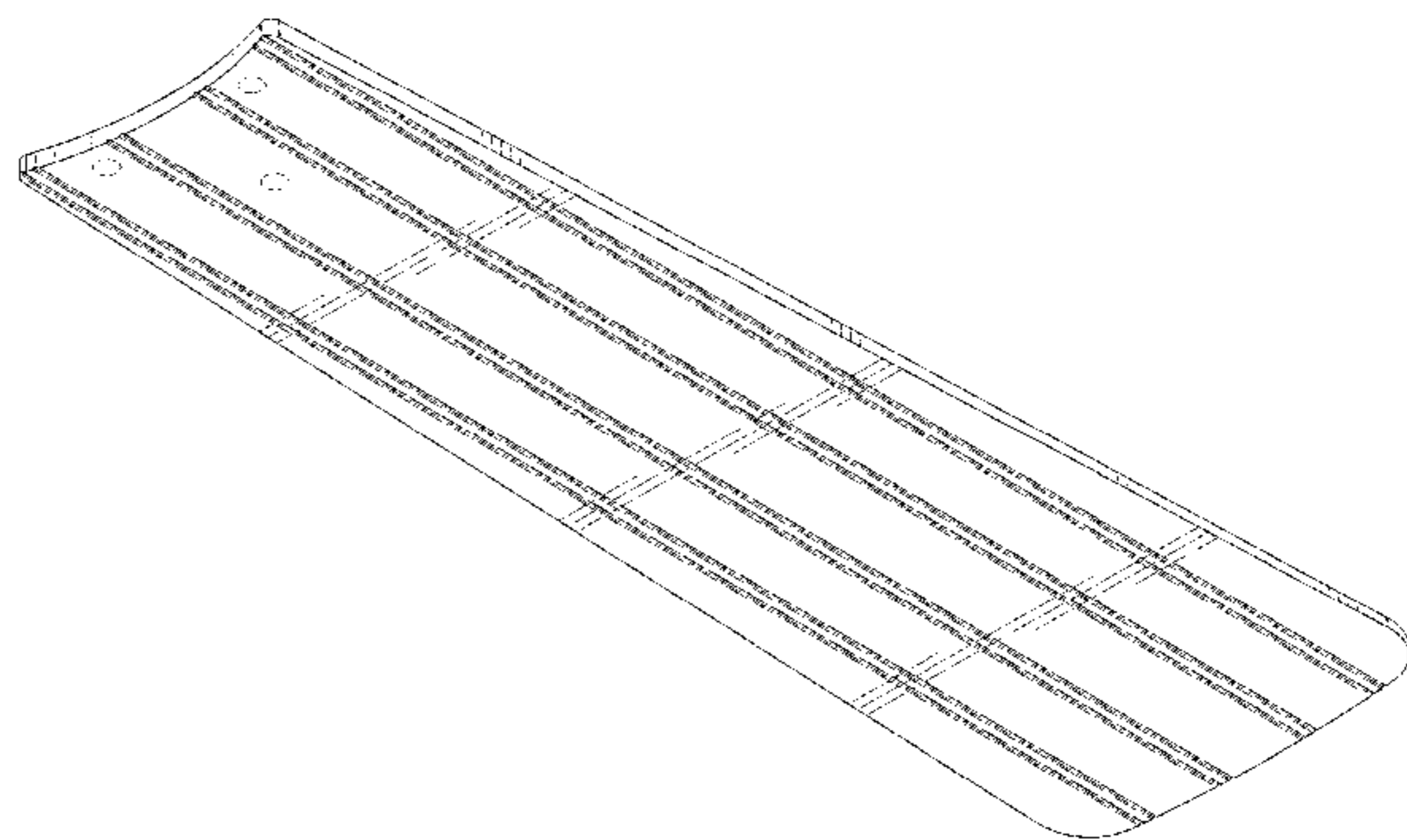
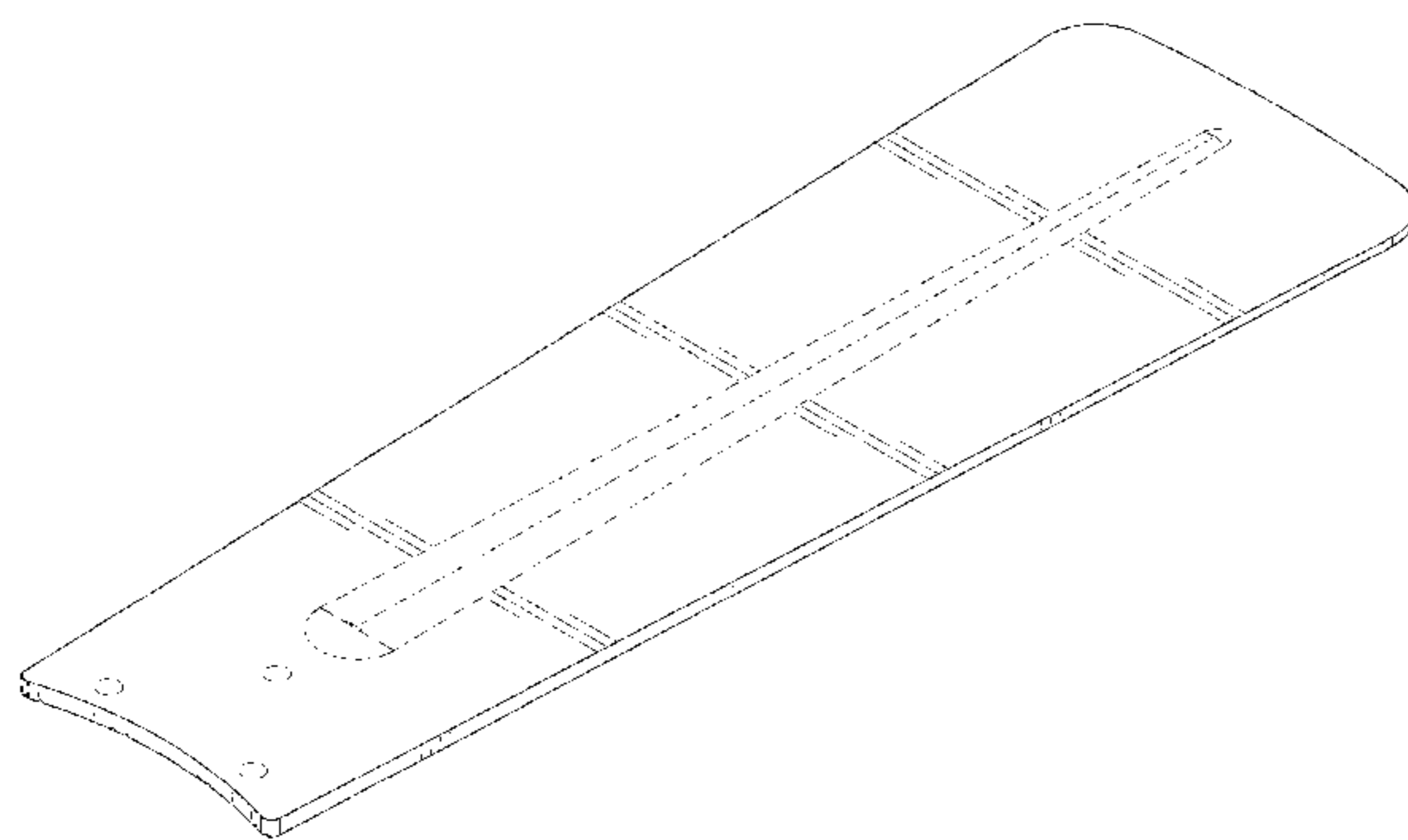
(57) **CLAIM**

The ornamental design for a ceiling fan blade, as shown and described.

DESCRIPTION

FIG. 1 is a front top perspective view of a ceiling fan blade showing my new design;
 FIG. 2 is a front elevational view thereof;
 FIG. 3 is a rear elevational view thereof;
 FIG. 4 is a left side elevational view thereof;
 FIG. 5 is a right side elevational view thereof;
 FIG. 6 is a top plan view thereof;
 FIG. 7 is a bottom plan view thereof; and,
 FIG. 8 is a front bottom perspective view thereof.
 The broken lines are for the purpose of illustrating environmental structure and form no part of the claimed design.

1 Claim, 5 Drawing Sheets



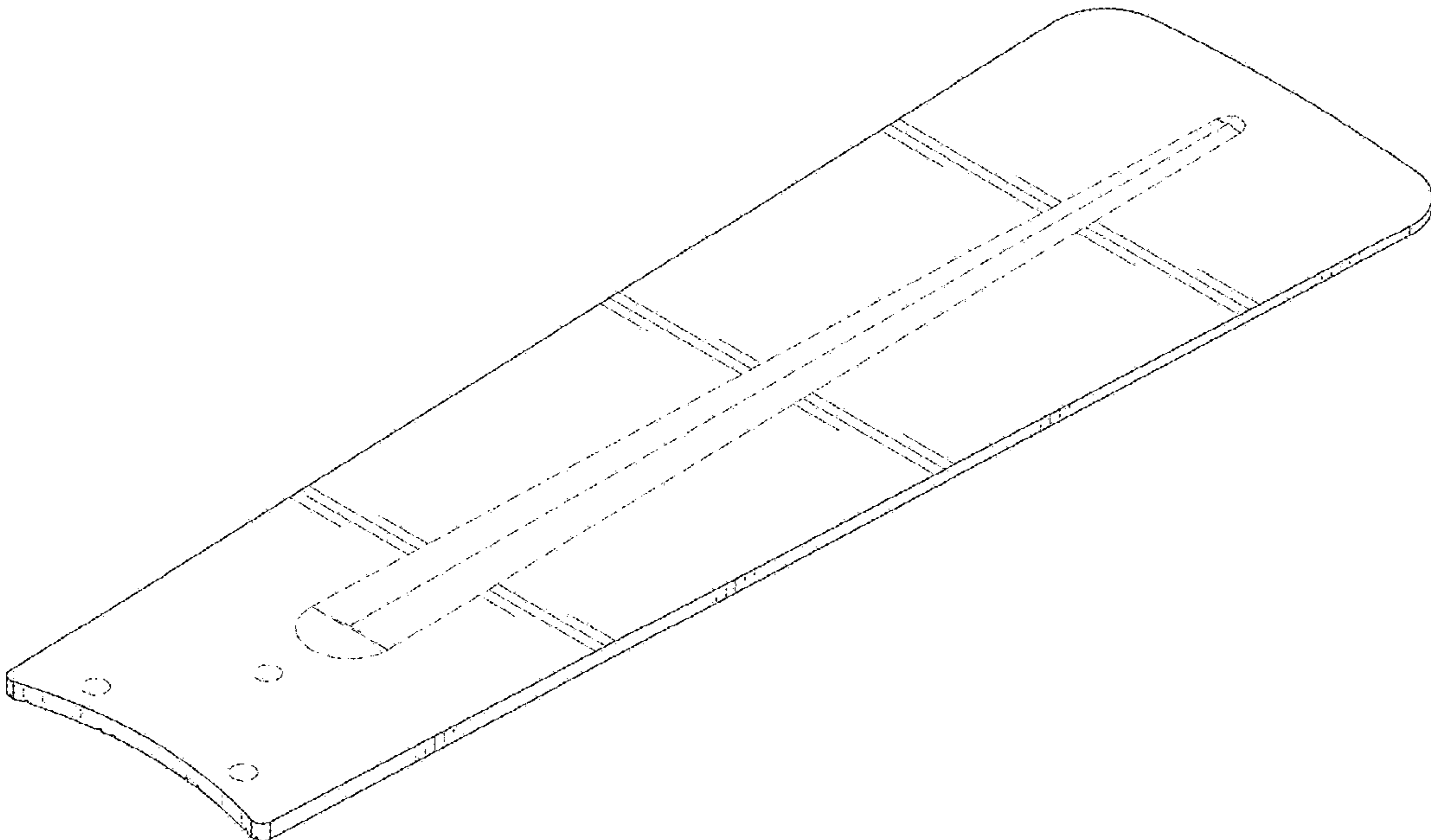


FIG. 1

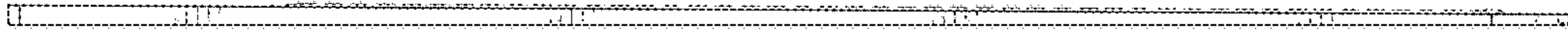


FIG. 2

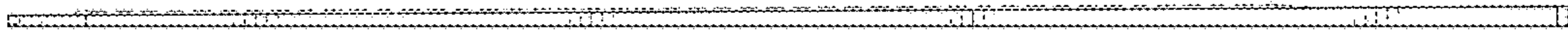


FIG. 3

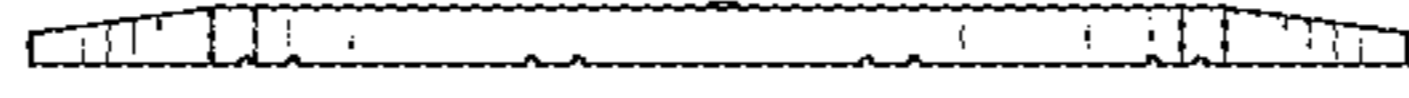


FIG. 4

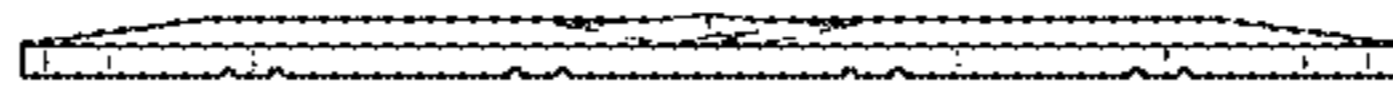


FIG. 5

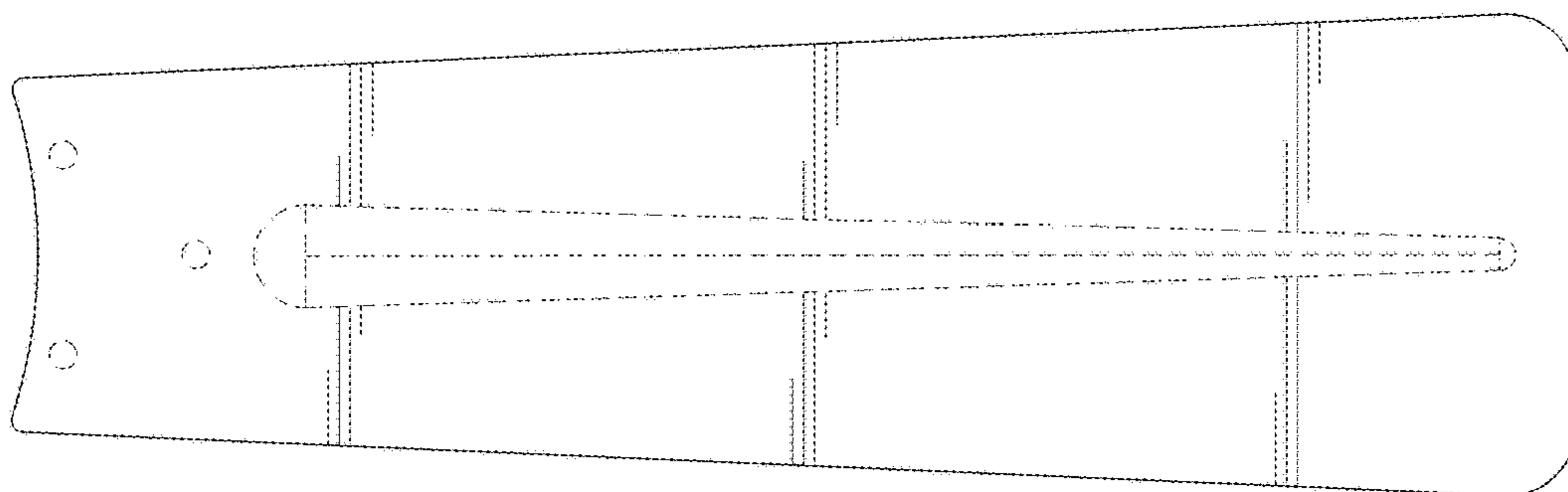


FIG. 6

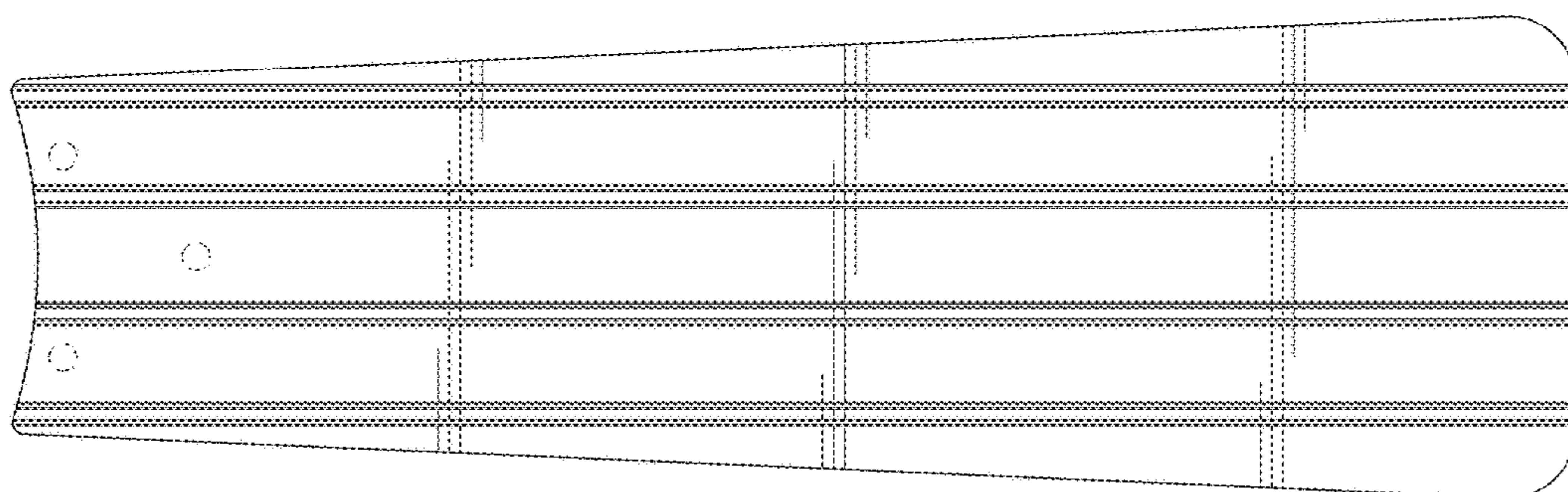


FIG. 7

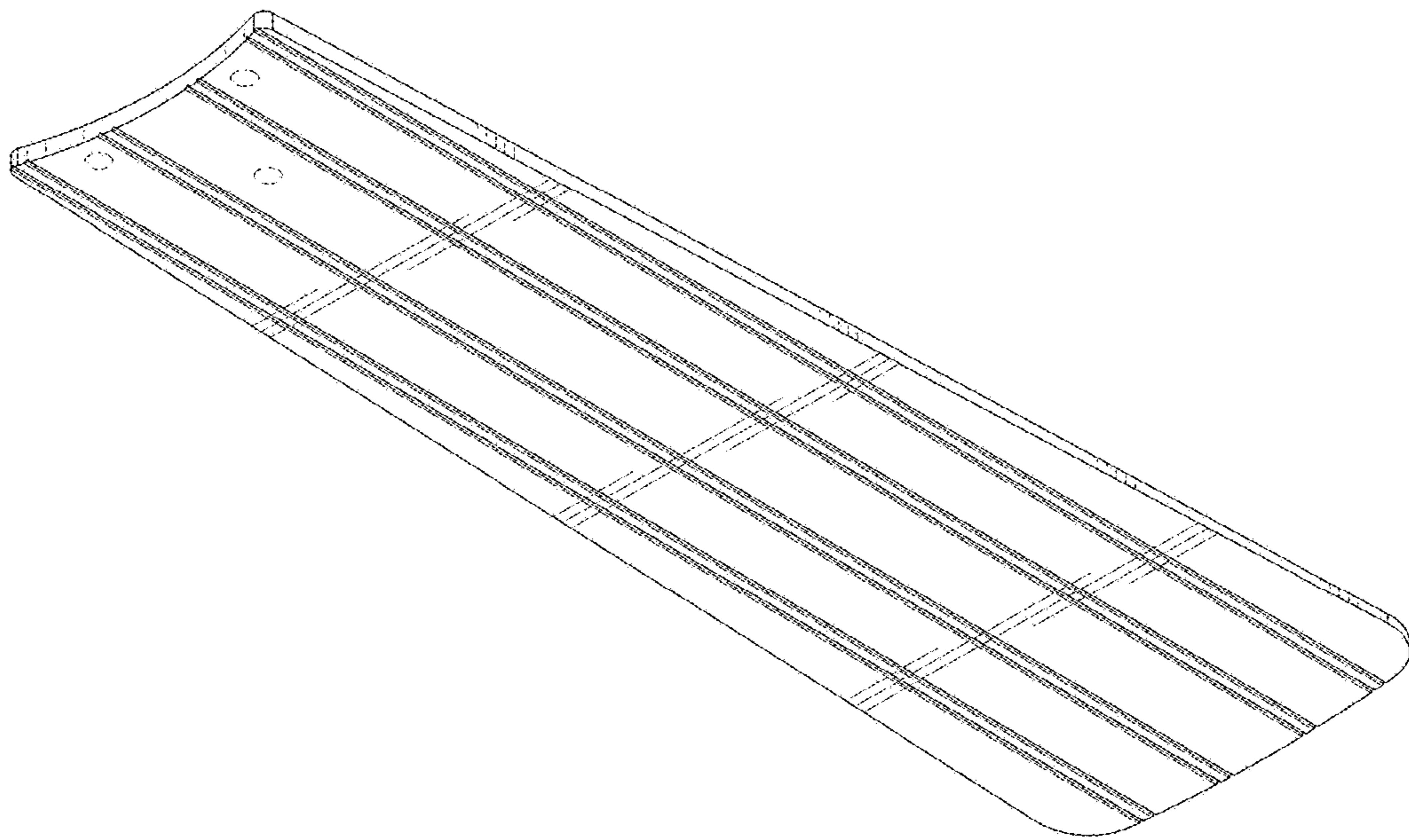


FIG. 8